



US00D388913S

United States Patent [19]

Williams et al.

[11] Patent Number: **Des. 388,913**

[45] Date of Patent: ****Jan. 6, 1998**

[54] **GOLF CLUB SCRUBBER**

[75] Inventors: **Christopher R. Williams, Grand Rapids; Austin Francis Noll, III, Rockford; Ronald A. Williams, Grand Rapids, all of Mich.**

[73] Assignee: **Denali Products, Inc., Jenison, Mich.**

[**] Term: **14 Years**

[21] Appl. No.: **56,974**

[22] Filed: **Jul. 12, 1996**

[51] LOC (6) Cl. **15-05**

[52] U.S. Cl. **D32/1**

[58] Field of Search **D32/1, 25; D21/234; 210/169, 416.2; 134/167 R; 15/1.7, 319, 104.92, 160, 21.1, 21.2**

[56] **References Cited**

U.S. PATENT DOCUMENTS

D. 199,519	11/1964	Johnson et al.	D32/1
D. 204,233	4/1966	Serios	D32/1
D. 237,005	9/1975	Akel	D32/1
D. 267,751	1/1983	Dobyns	D32/1
D. 350,630	9/1994	Smith	D32/1

D. 366,565	1/1996	Harper	D32/1
D. 372,755	8/1996	Nardi	D32/1
2,744,276	5/1956	Chambless	15/123
3,332,099	7/1967	Reiter	D32/1
4,734,952	4/1988	Parchment et al.	15/104.92
4,965,906	10/1990	Mauro	15/104.92
5,404,610	4/1995	Coyer, Sr. et al.	15/104.92
5,560,066	10/1996	McDivitt	D32/1

Primary Examiner—Ruth McInroy
Attorney, Agent, or Firm—Rader, Fishman, Grauer & McGarry

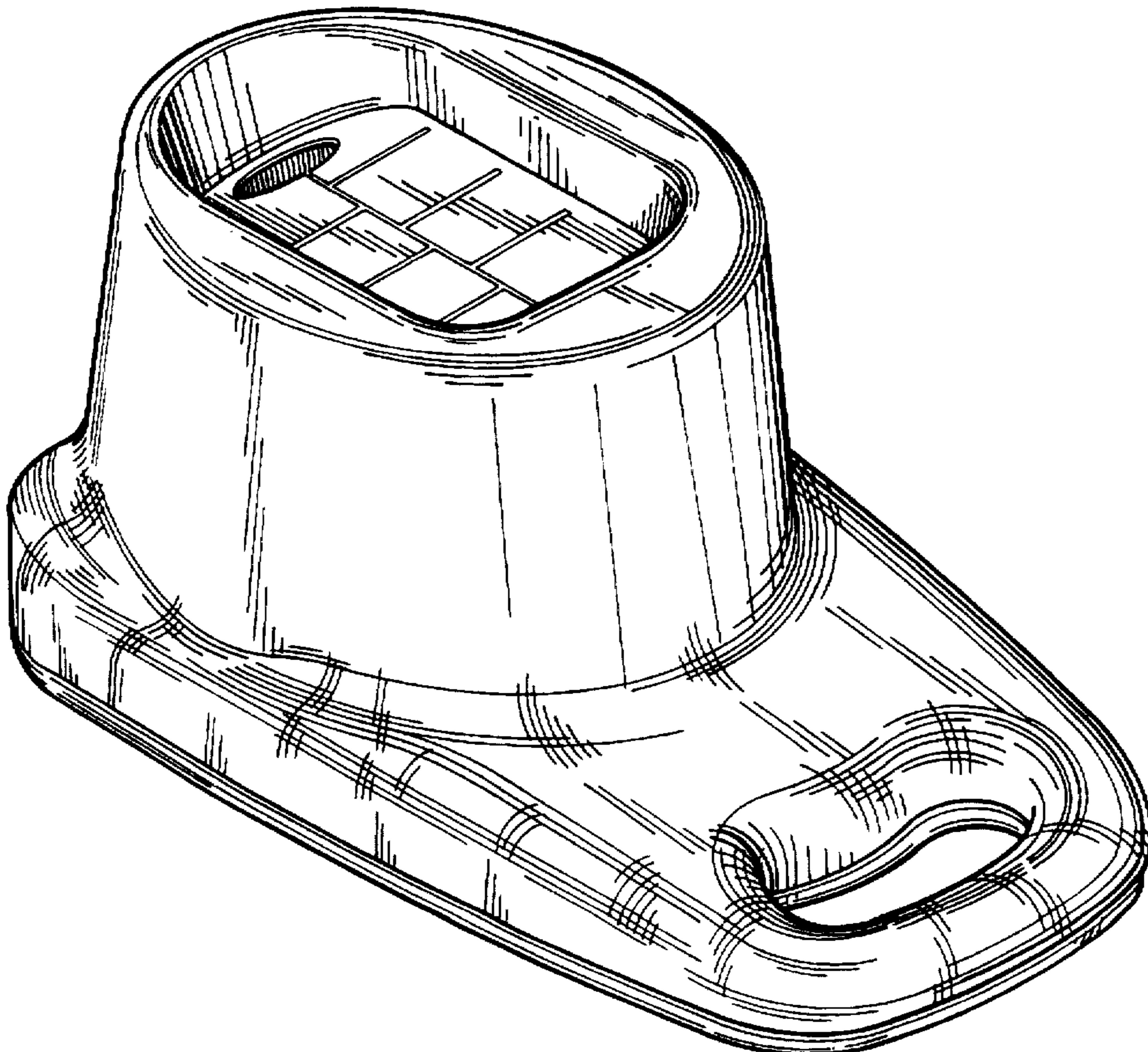
[57] **CLAIM**

The ornamental design for a golf club scrubber, as shown and described.

DESCRIPTION

FIG. 1 is a perspective view of a golf club scrubber showing my new design;
FIG. 2 is a right side elevational view thereof, the left side being a mirror image;
FIG. 3 is a front elevational view thereof;
FIG. 4 is a rear elevational view thereof;
FIG. 5 is a top plan view thereof; and,
FIG. 6 is bottom plan view thereof.

1 Claim, 3 Drawing Sheets



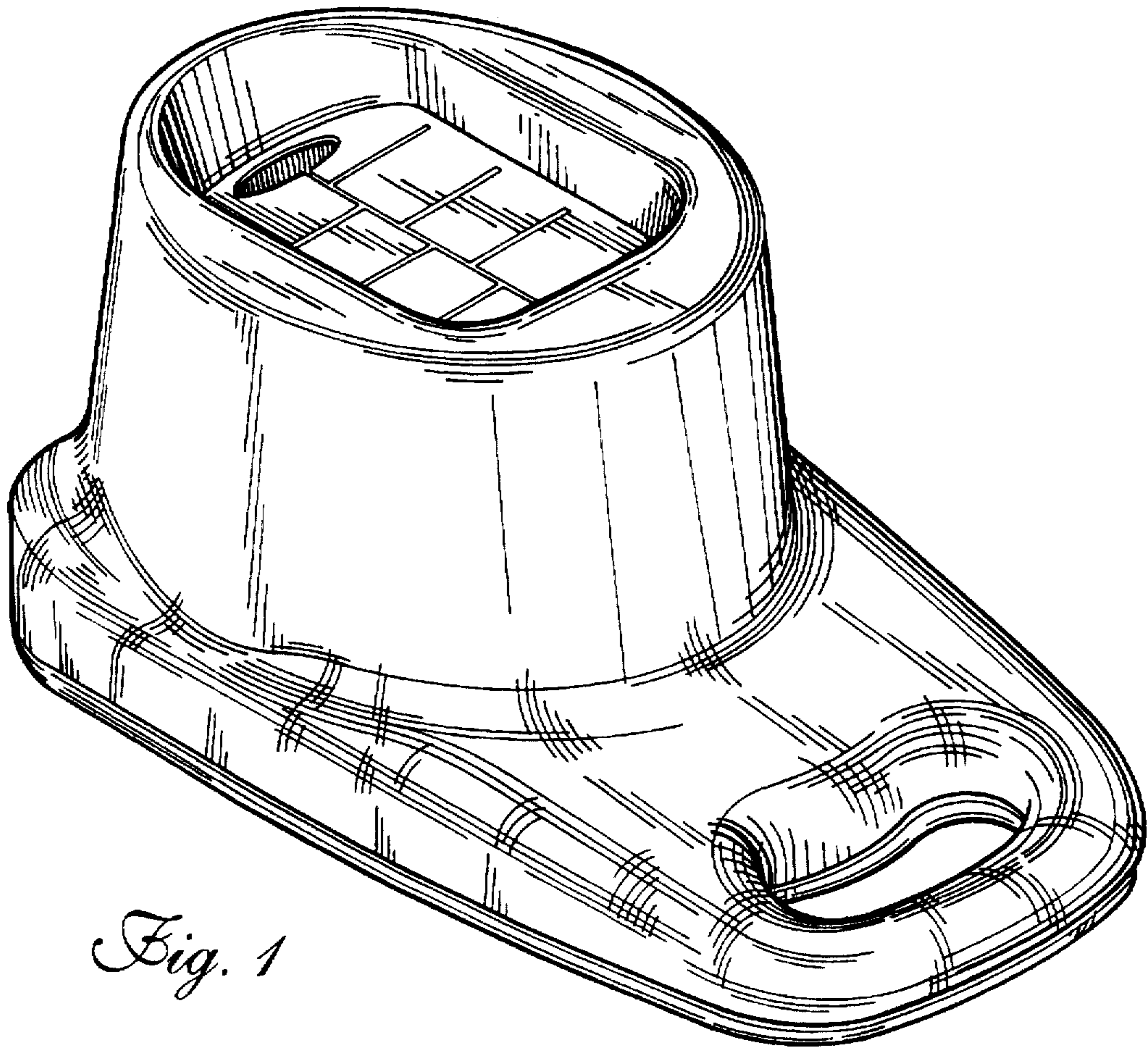


Fig. 1

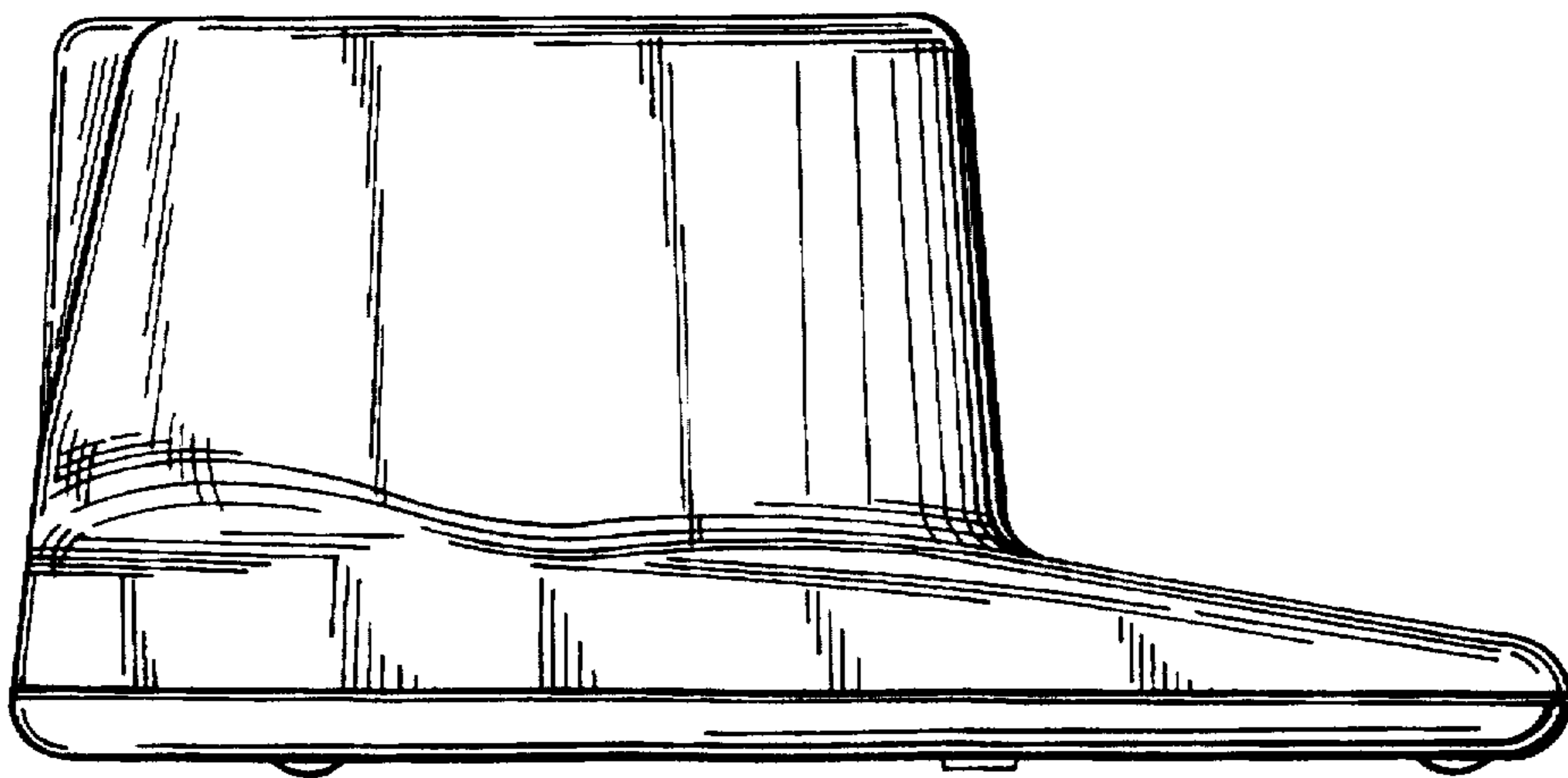


Fig. 2

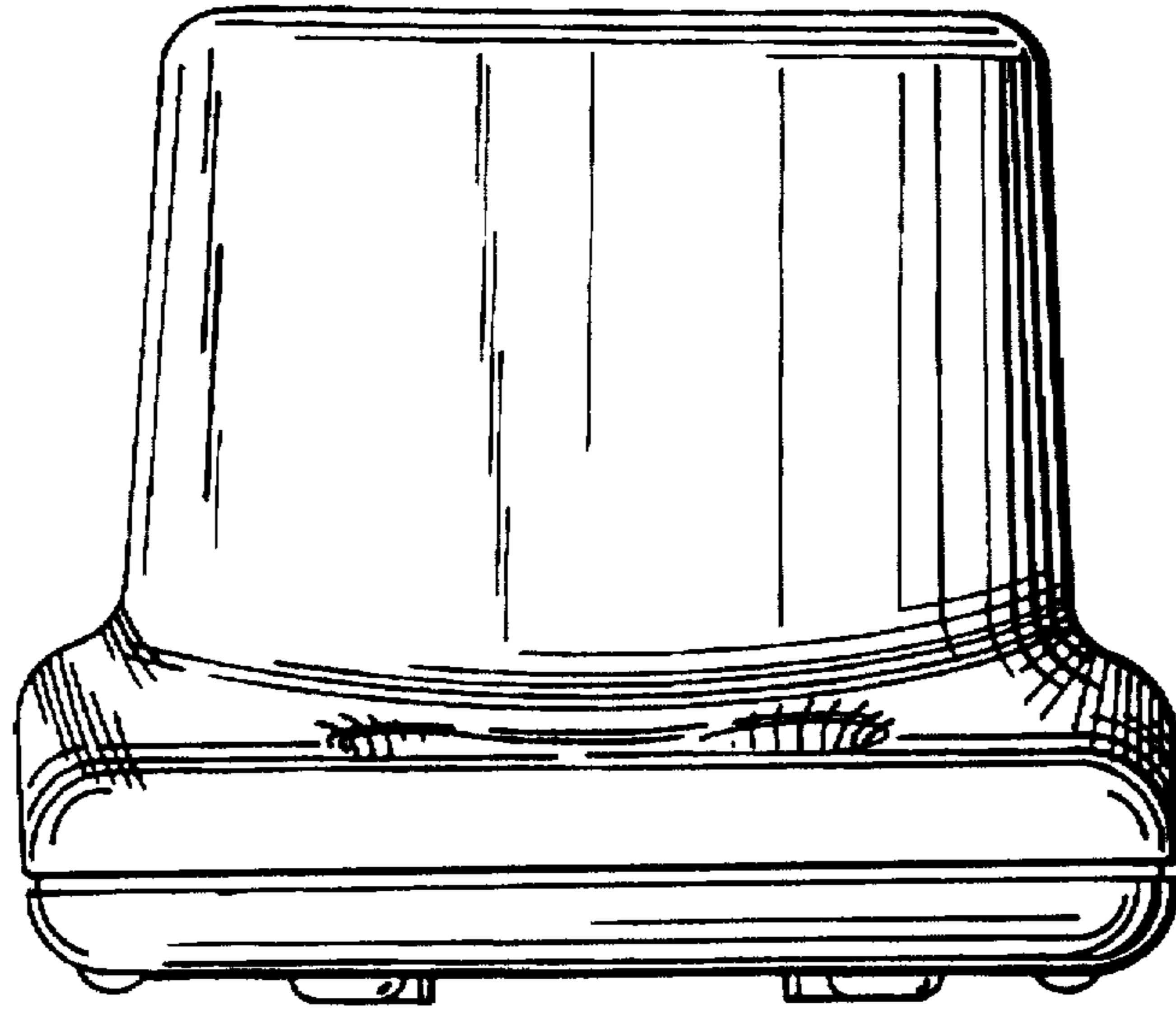


Fig. 3

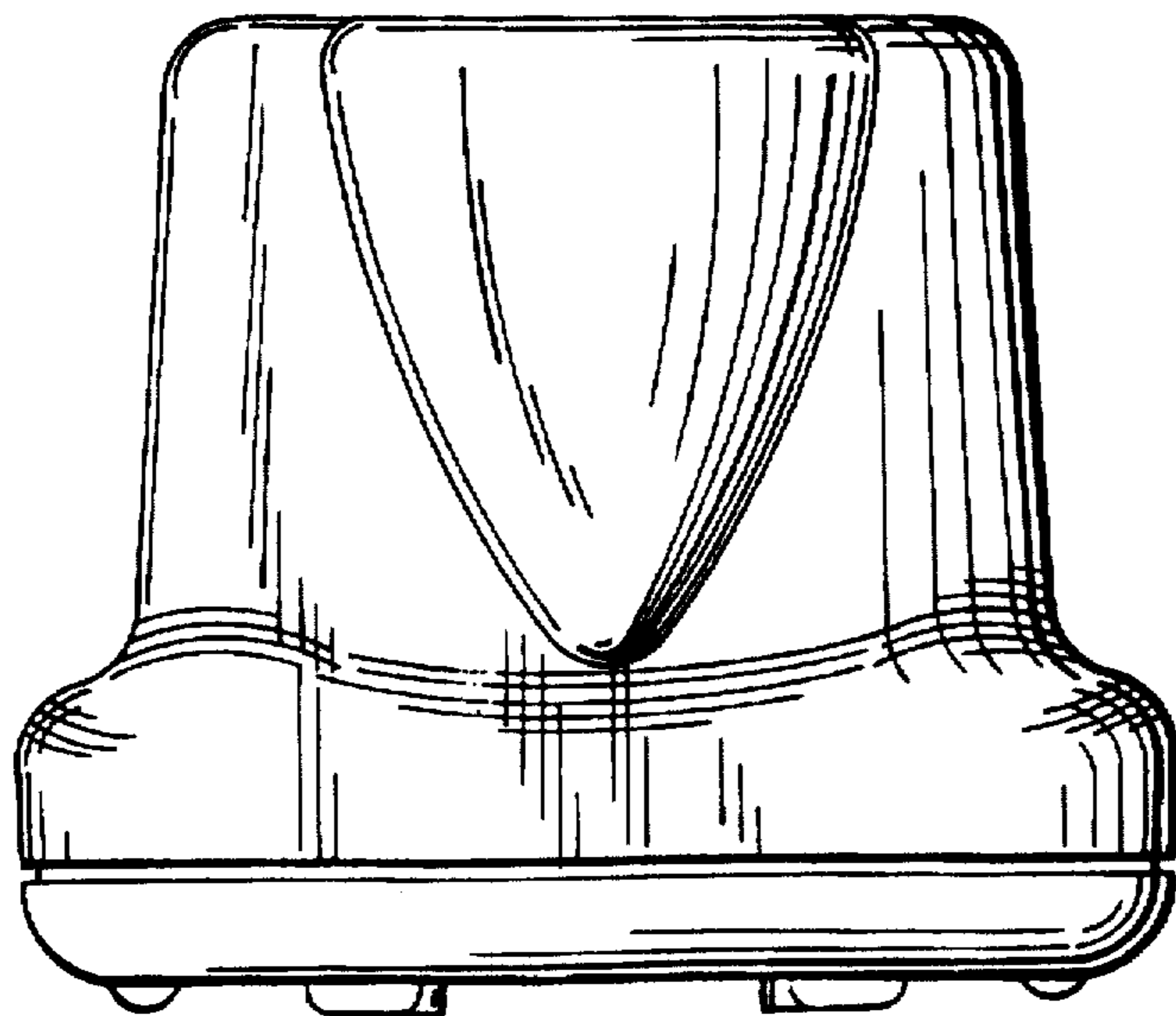


Fig. 4

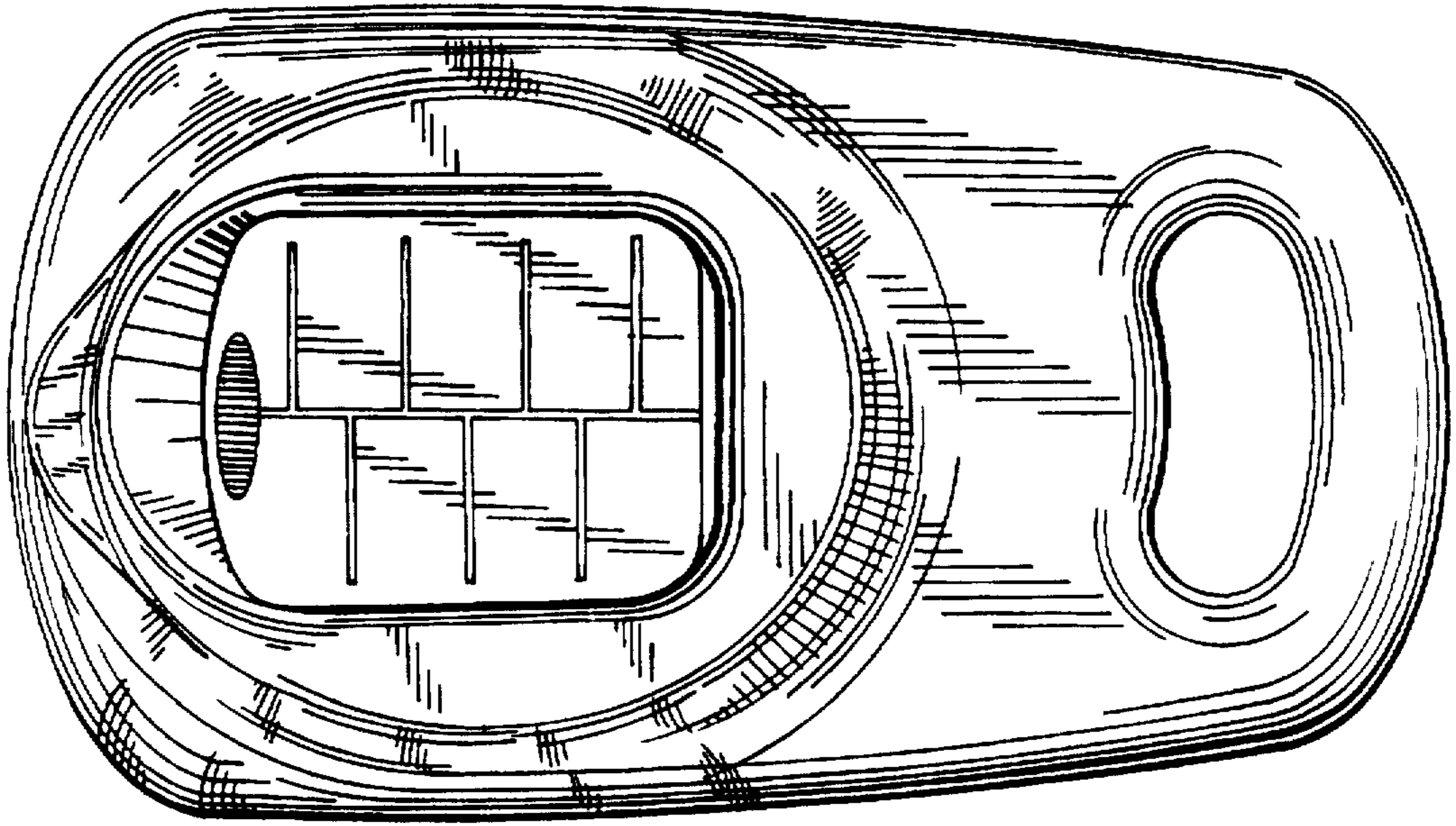


Fig. 5

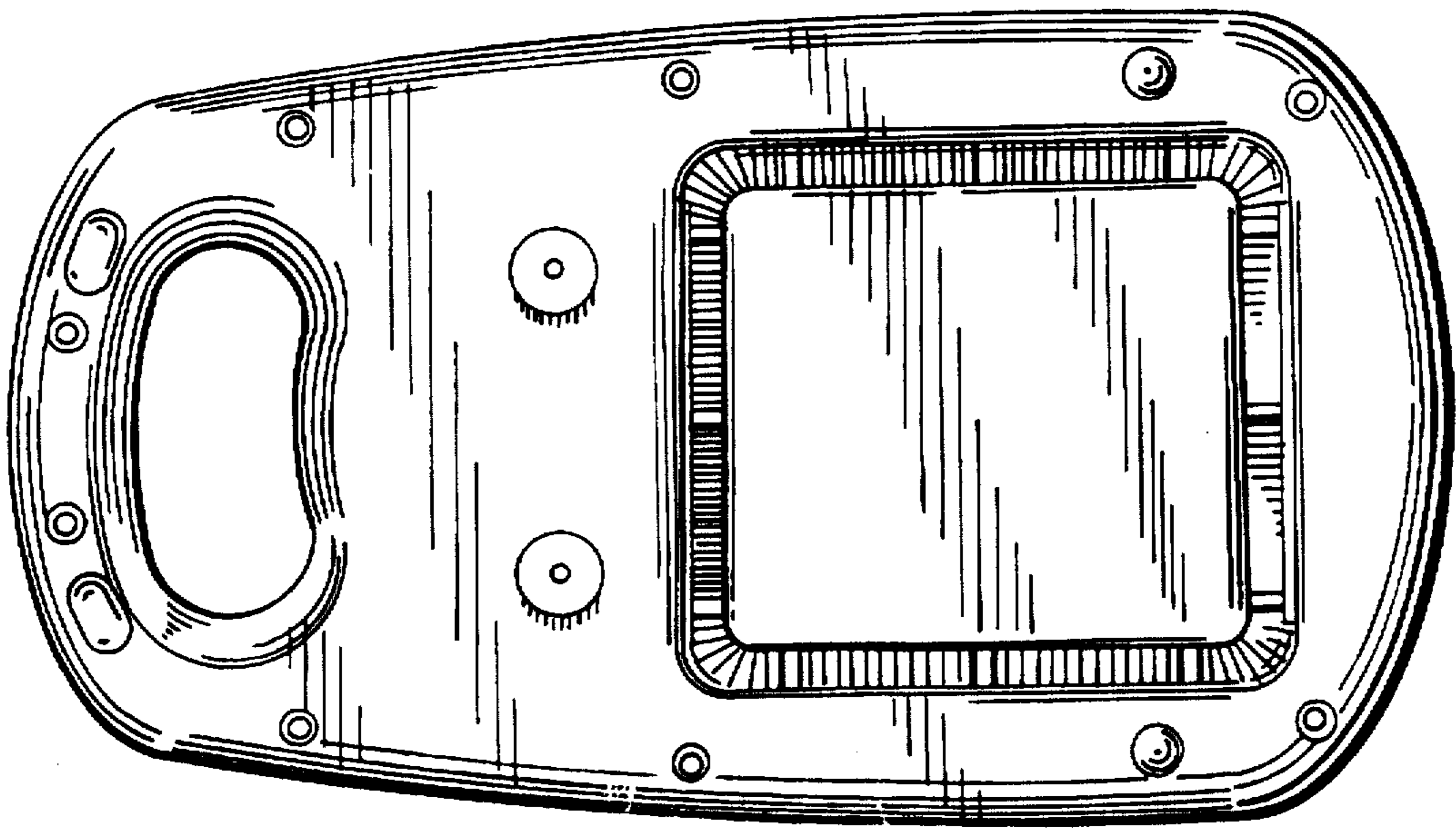


Fig. 6