



US00D388902S

United States Patent [19]
Yu

[11] **Patent Number:** **Des. 388,902**
[45] **Date of Patent:** ****Jan. 6, 1998**

[54] **CIGAR CUTTER DEVICE**

[76] **Inventor:** **Chin-Tung Yu**, No. 79, Ping An Road,
Hou Li Hsiang, Taichung Hsien, Taiwan

[**] **Term:** **14 Years**

[21] **Appl. No.:** **68,066**

[22] **Filed:** **Mar. 21, 1997**

[51] **LOC (6) Cl.** **27-99**

[52] **U.S. Cl.** **D27/195**

[58] **Field of Search** **D27/194, 195;**
30/109, 111, 113, 112; 131/248, 253, 254

[56] **References Cited**

U.S. PATENT DOCUMENTS

68,441	9/1867	Hoffmann	131/252
D. 82,134	9/1930	Caiazza	D27/195
330,597	11/1885	Lilly	30/109
350,217	10/1886	Stewart	131/248

Primary Examiner—Susan J. Lucas
Assistant Examiner—Jennifer Register
Attorney, Agent, or Firm—Charles E. Baxley, Esq.

[57] **CLAIM**

The ornamental design for a cigar cutter device, as shown and described.

DESCRIPTION

FIG. 1 is a front elevational view of a cigar cutter device showing my new design;

FIG. 2 is a rear elevational view thereof;

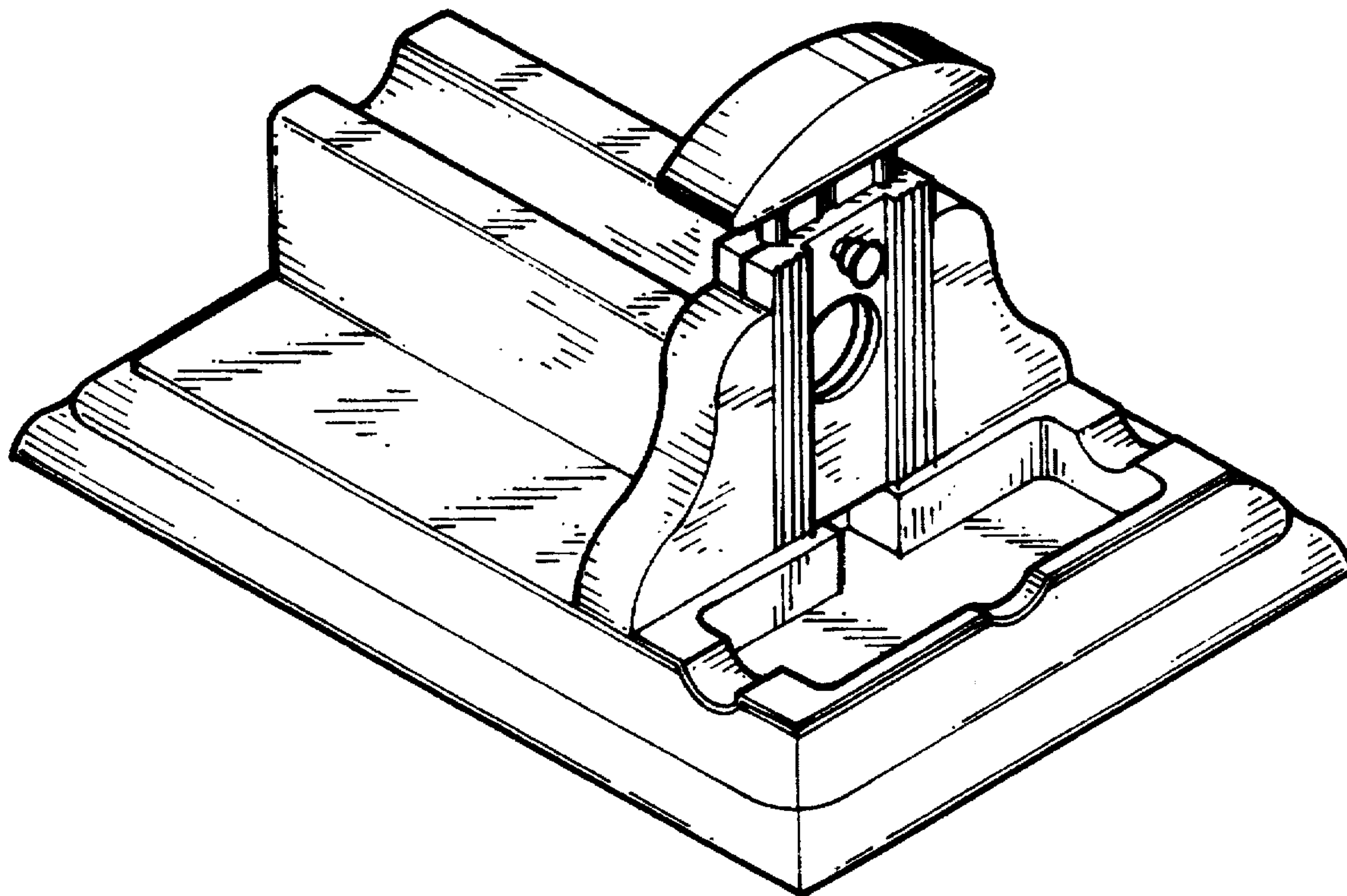
FIG. 3 is a right side elevational view thereof, the left side elevational view being identical in appearance;

FIG. 4 is a top plan view thereof;

FIG. 5 is a bottom plan view thereof; and,

FIG. 6 is a perspective view thereof.

1 Claim, 4 Drawing Sheets



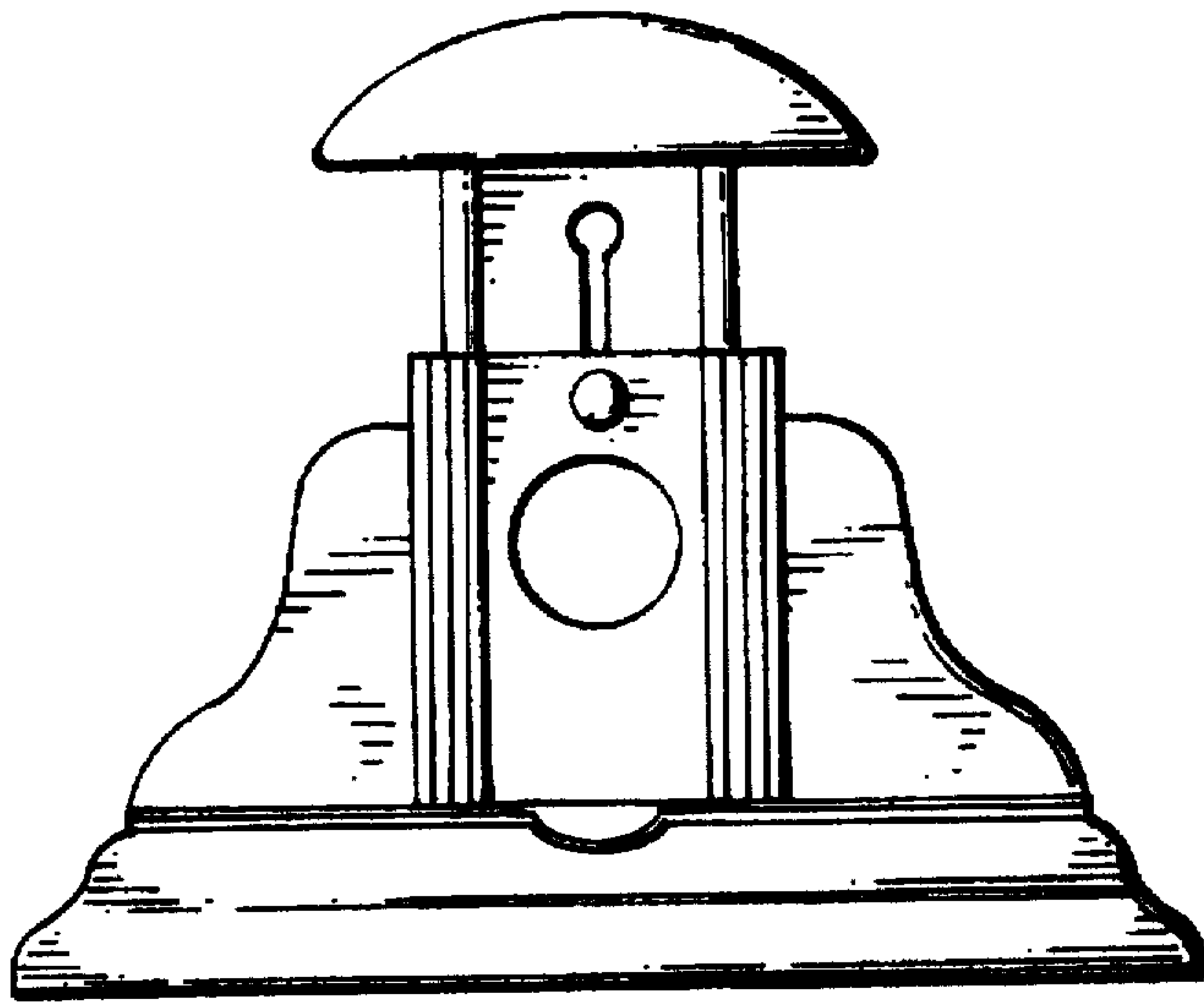


Fig. 1

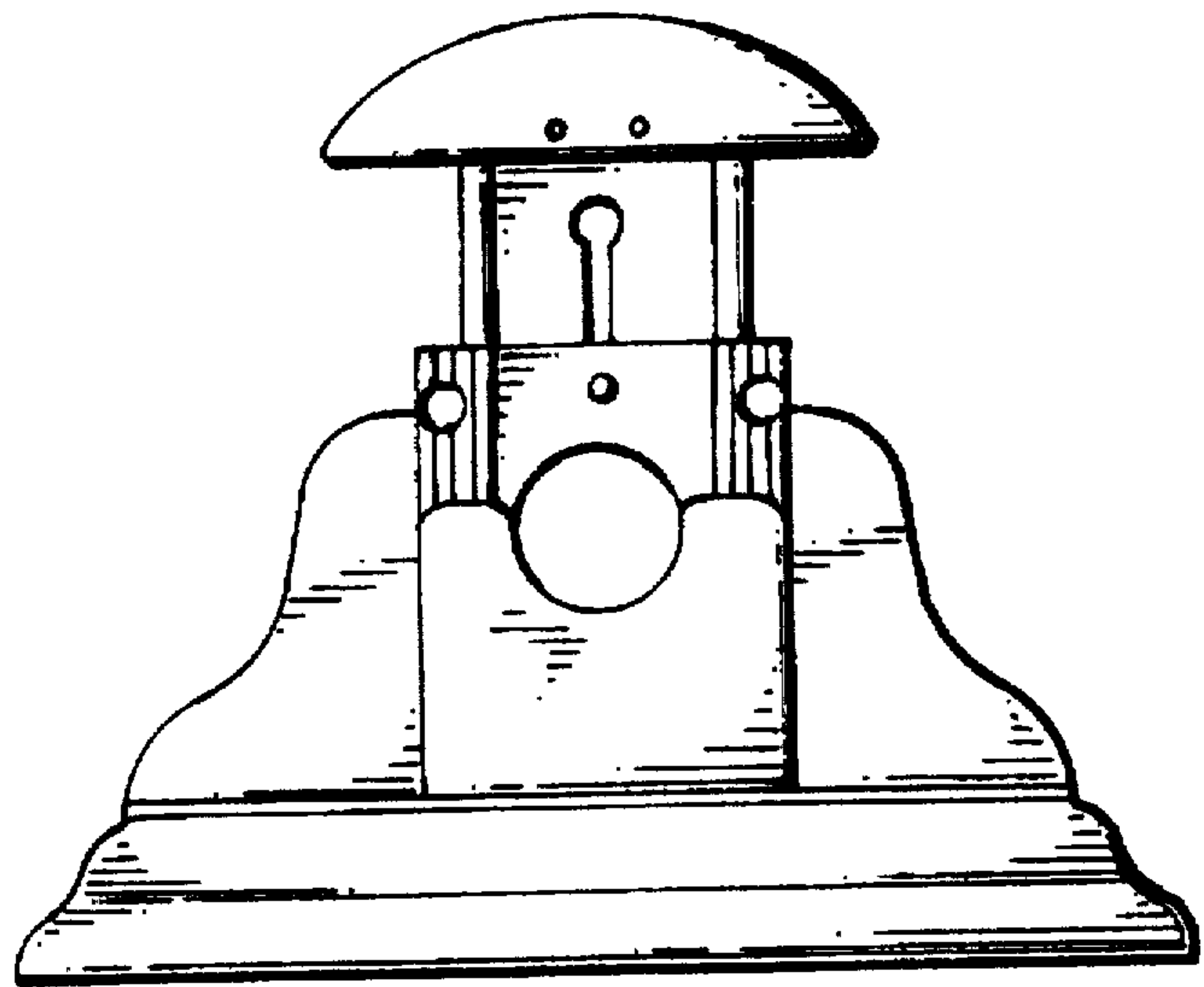


Fig. 2

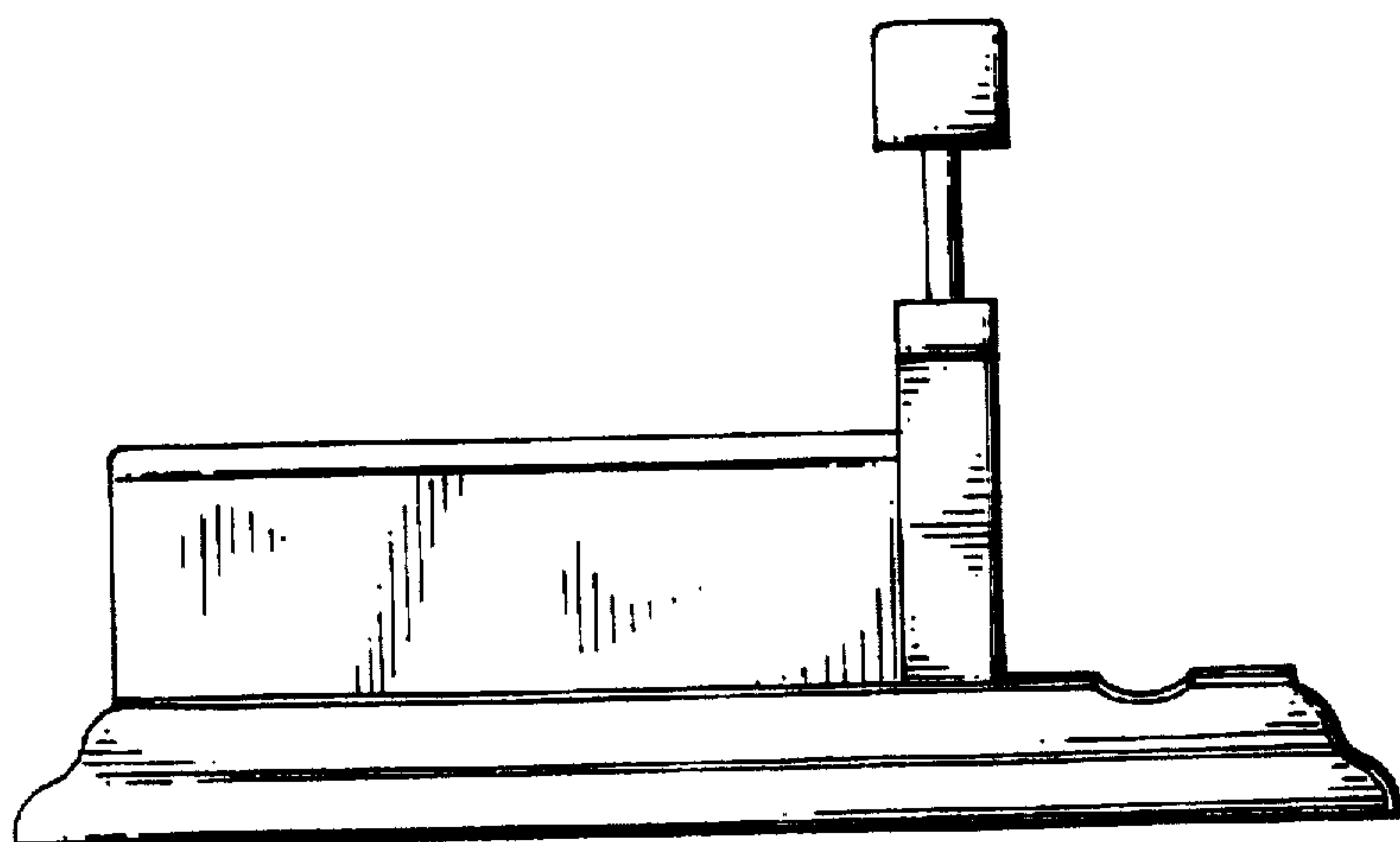


Fig. 3

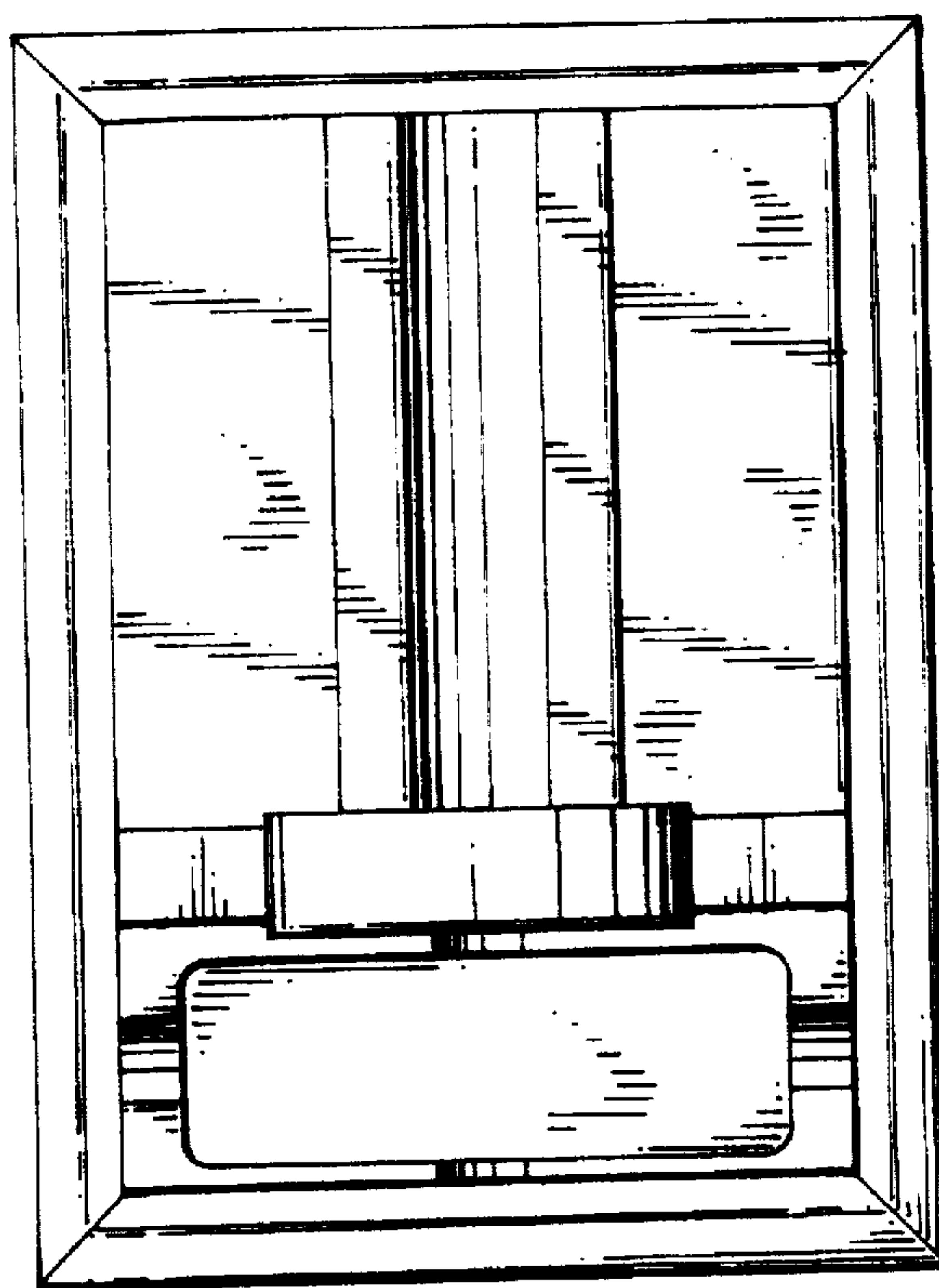


Fig. 4

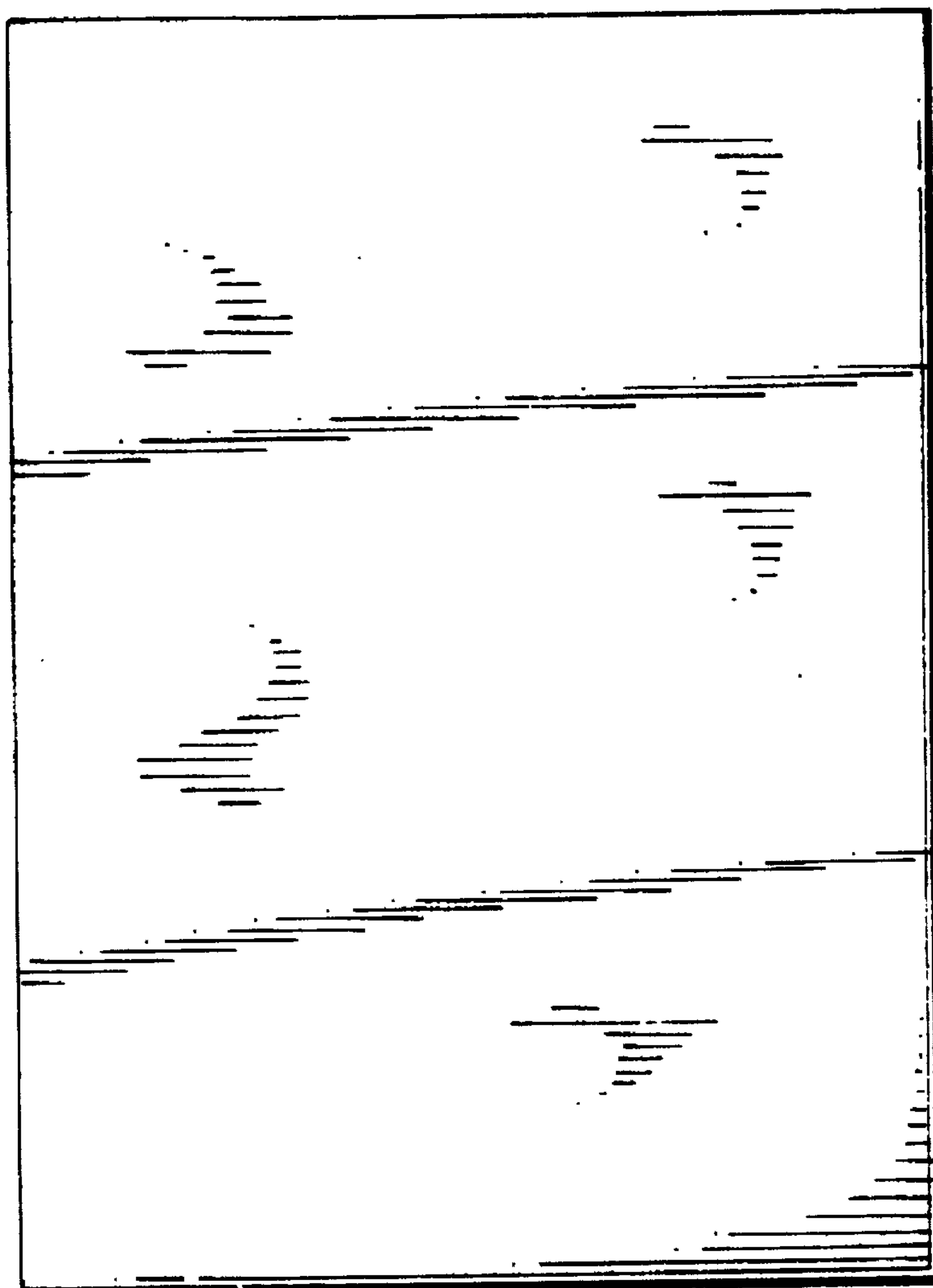


Fig. 5

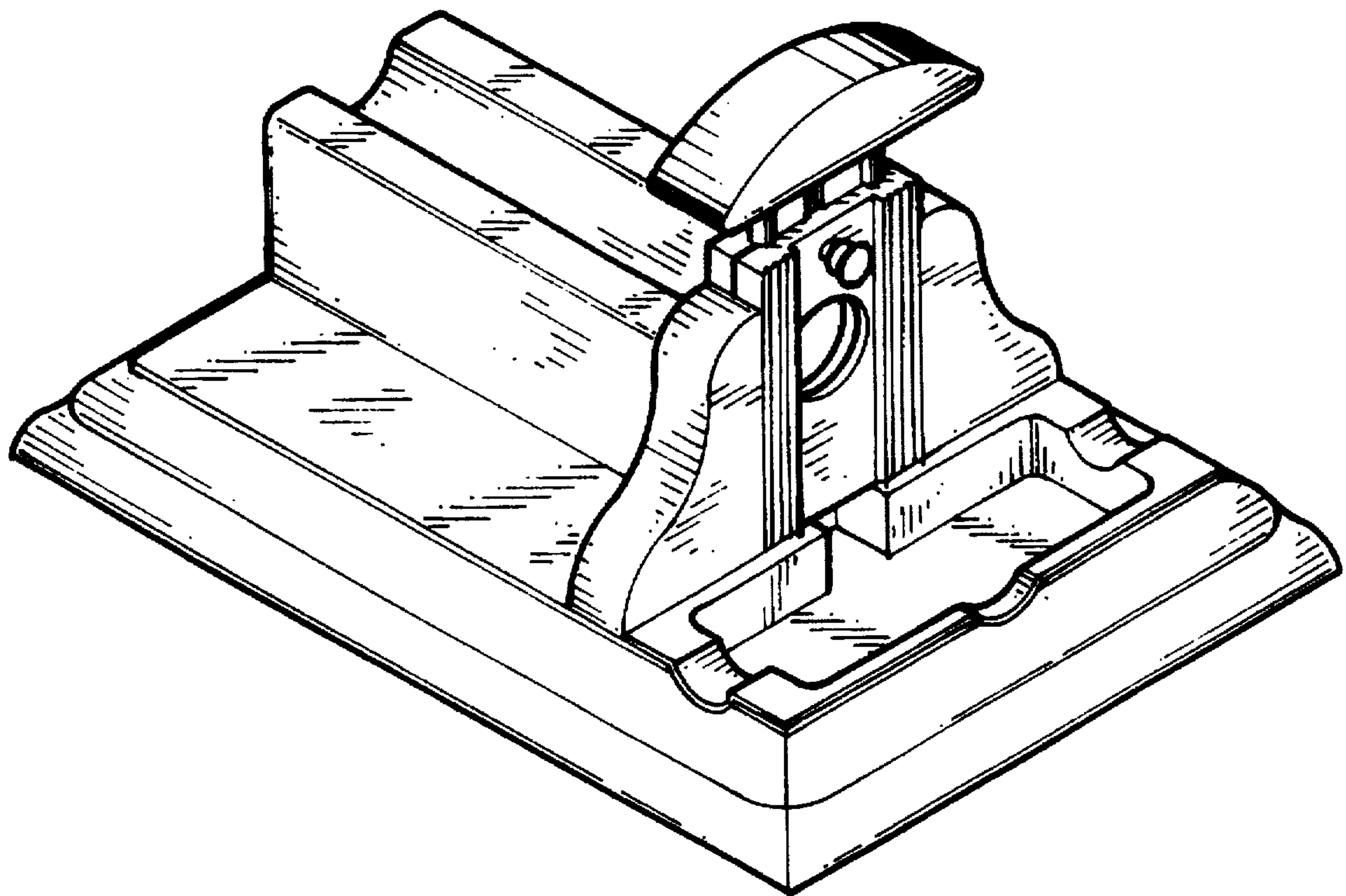


Fig. 6