



US00D388901S

United States Patent [19]
Stiller

[11] **Patent Number:** **Des. 388,901**
[45] **Date of Patent:** ****Jan. 6, 1998**

[54] **ASHTRAY**

[76] **Inventor:** **Michael Stiller, 2347 Purdue Dr., Costa Mesa, Calif. 92626**

[**] **Term:** **14 Years**

[21] **Appl. No.:** **53,634**

[22] **Filed:** **Apr. 26, 1996**

[51] **LOC (6) Cl.** **27-03**

[52] **U.S. Cl.** **D27/102; D27/135**

[58] **Field of Search** **131/231, 240.1, 131/330, 329, 235.1, 256; D27/102, 103, 172, 174, 175, 129, 133, 135, 134**

[56] **References Cited**

U.S. PATENT DOCUMENTS

- D. 98,784 3/1936 Steuer D27/134
- D. 123,318 10/1940 Wright .
- D. 129,426 9/1941 Jindrak .
- D. 169,223 3/1953 Revell .
- D. 175,648 9/1955 Ross et al. .
- D. 191,254 8/1961 Barron et al. .
- D. 217,942 6/1970 Angelakos D27/135
- 785,377 3/1905 Poppert .
- 1,294,815 2/1919 McCully .
- 1,312,530 8/1919 Fuller .
- 1,667,663 4/1928 Hoos .
- 2,063,717 12/1936 Barbieri .

- 2,092,743 9/1937 Himer .
- 2,111,172 3/1938 Cook .
- 2,404,174 7/1946 Hines .
- 3,406,813 10/1968 Anchell 131/231 X
- 3,620,225 11/1971 Balley .
- 3,675,662 7/1972 Askins .
- 3,683,938 8/1972 Rowland .
- 4,241,742 12/1980 Hilding 131/235.1
- 4,634,014 1/1987 Carr .
- 4,982,746 1/1991 Pruyne .
- 5,105,832 4/1992 Tassé .
- 5,287,862 2/1994 Pruyne .
- 5,289,832 3/1994 Funcelli et al. 131/235.1 X

Primary Examiner—Susan J. Lucas
Assistant Examiner—Jennifer A. Register
Attorney, Agent, or Firm—Donald E. Stout

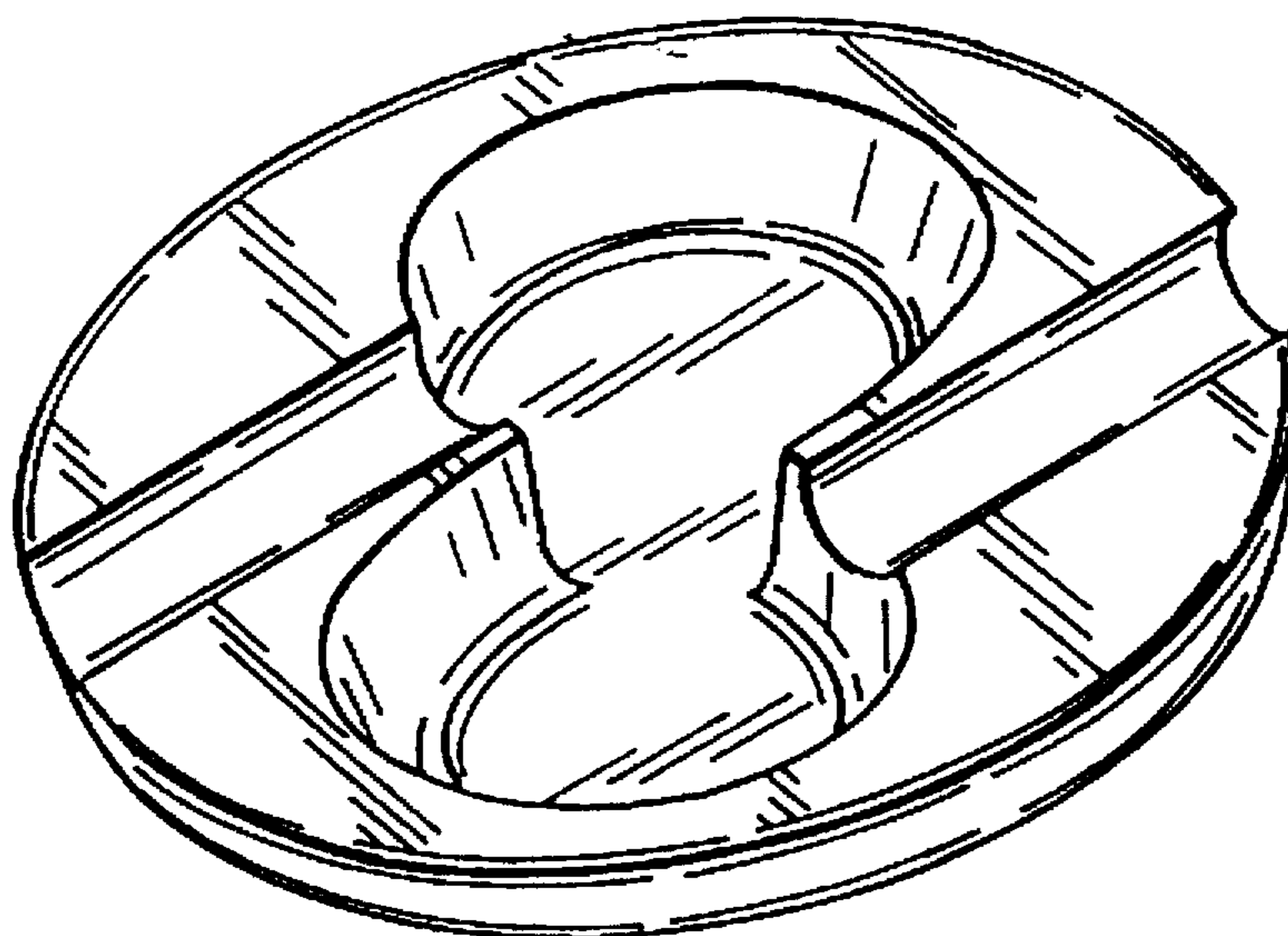
[57] **CLAIM**

The ornamental design for an ashtray, as shown and described.

DESCRIPTION

FIG. 1 is a perspective view showing my new design; FIG. 2 is a top plan view thereof; FIG. 3 is a front elevational view thereof wherein the rear elevational view thereof is identical; FIG. 4 is a side elevational view thereof, wherein the side elevational view opposite to that shown is identical; and, FIG. 5 is a bottom plan view thereof.

1 Claim, 1 Drawing Sheet



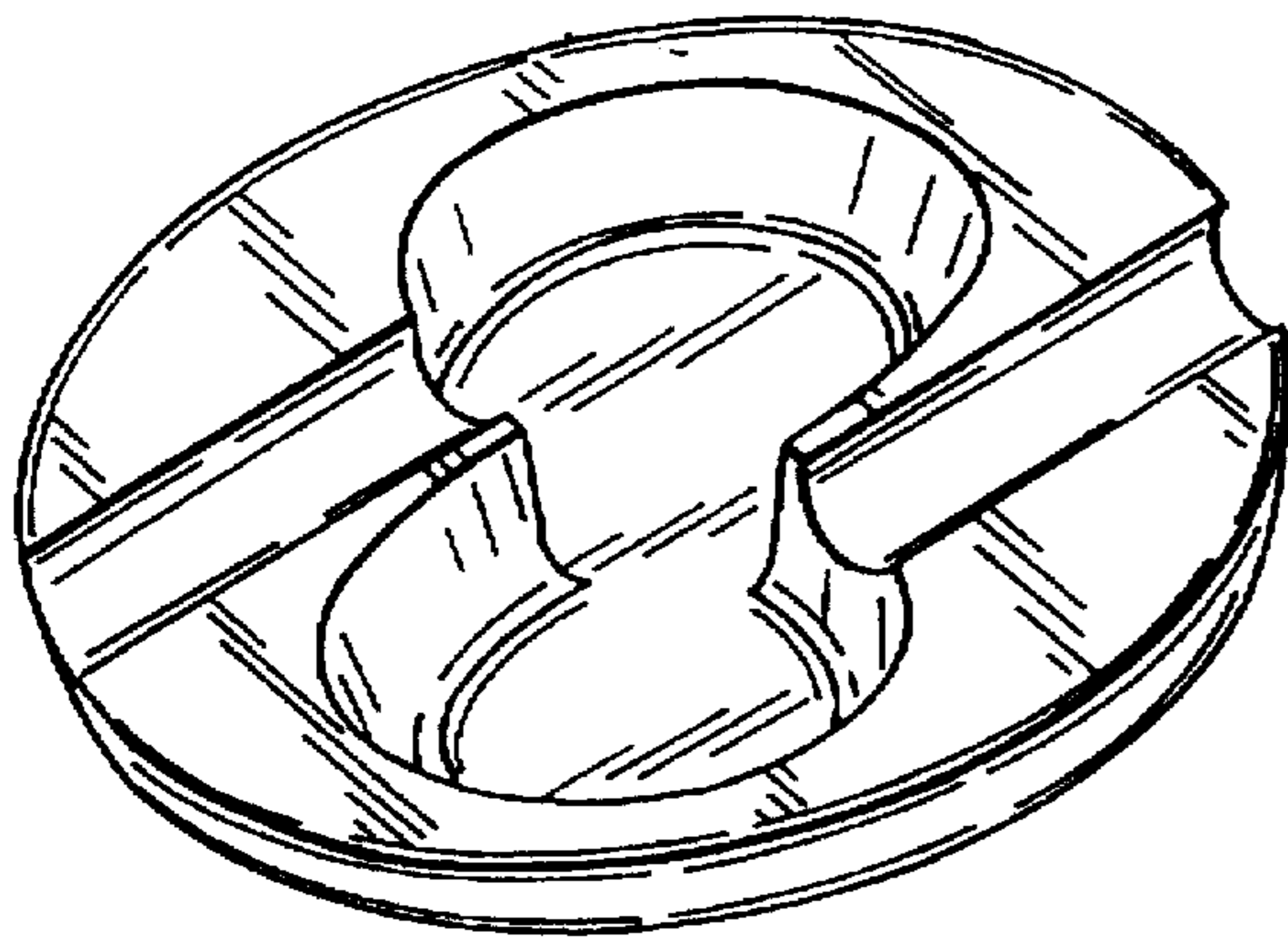


Fig. 1

Fig. 2

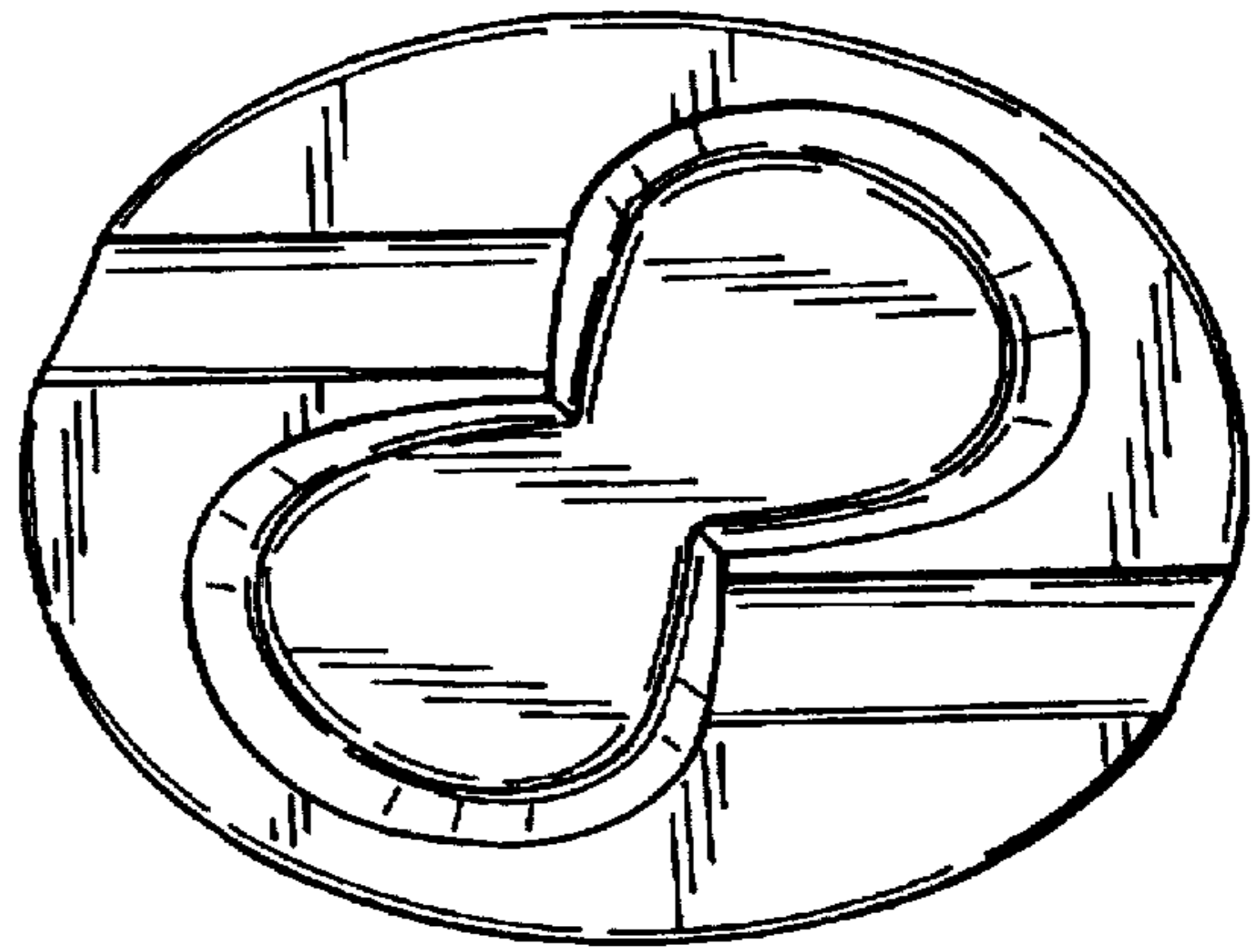


Fig. 3

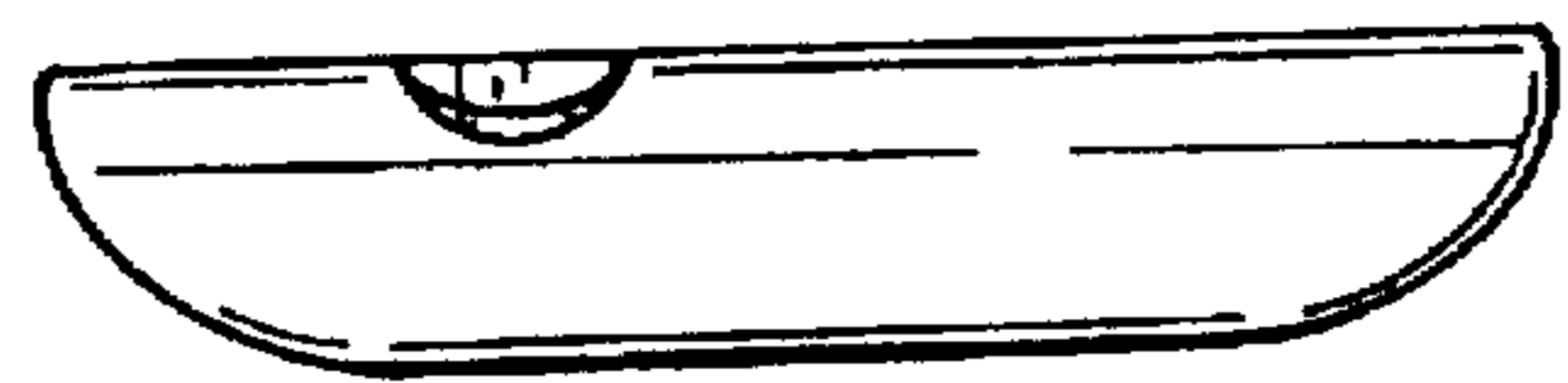
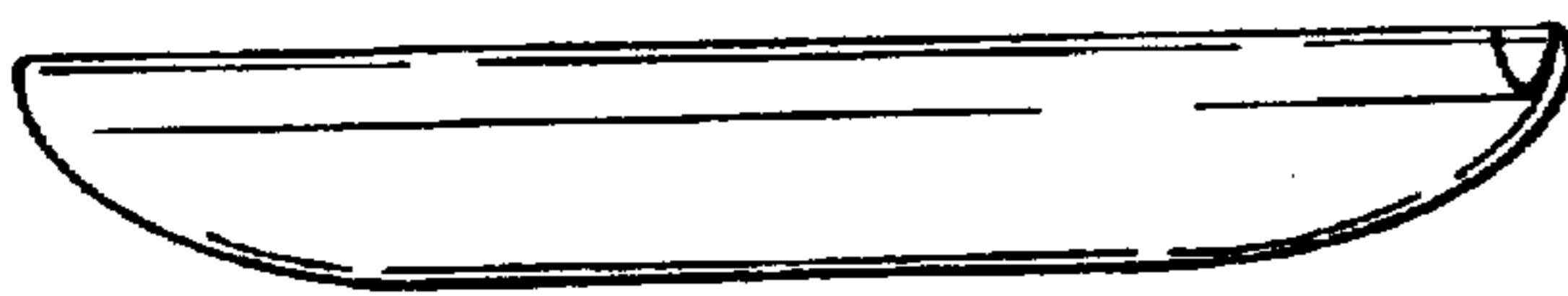


Fig. 4

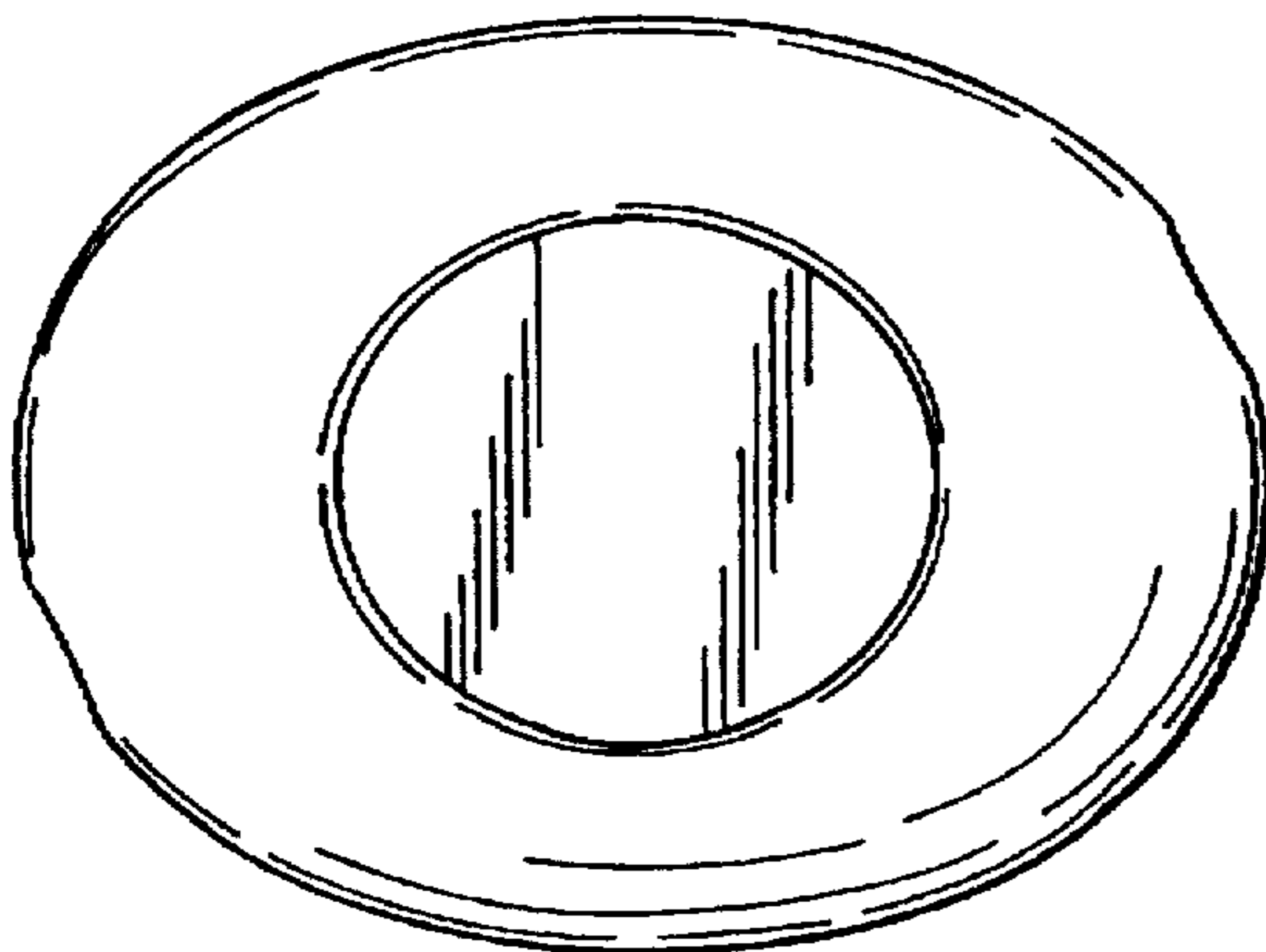


Fig. 5