



US00D388896S

United States Patent [19]
Colledge

[11] **Patent Number:** **Des. 388,896**
[45] **Date of Patent:** ****Jan. 6, 1998**

[54] **SIGNAL LIGHT SYSTEM FOR A HELMET**

[76] **Inventor:** **J. Avery Colledge**, 2066 Goldfinch Crt,
Oakville, Ontario, Canada, L6H 3Z4

[**] **Term:** **14 Years**

[21] **Appl. No.:** **64,356**

[22] **Filed:** **Dec. 30, 1996**

[51] **LOC (6) Cl.** **26-06**

[52] **U.S. Cl.** **D26/28; D26/39**

[58] **Field of Search** **D26/37-50; 362/157,**
362/158, 194, 195, 72, 103, 105, 106, 108

[56] **References Cited**

U.S. PATENT DOCUMENTS

D. 345,022	3/1994	Hamasaki	D26/28
D. 351,917	10/1994	Jones, Jr.	D26/39
D. 356,171	3/1995	Smith	D26/39
D. 361,396	8/1995	Bruckler	D26/39

Primary Examiner—Marcus A. Jackson

[57] **CLAIM**

The ornamental design for a signal light system for a helmet, as shown and described.

DESCRIPTION

FIG. 1 is a front elevational view of a signal light system for a helmet showing my new design, with the broken line showing for illustrative purposes only and forming no part of the claimed design;

FIG. 2 is a back plan view of the helmet with signal light system of FIG. 1;

FIG. 3 is a left side plan view of the helmet with signal light system of FIG. 1;

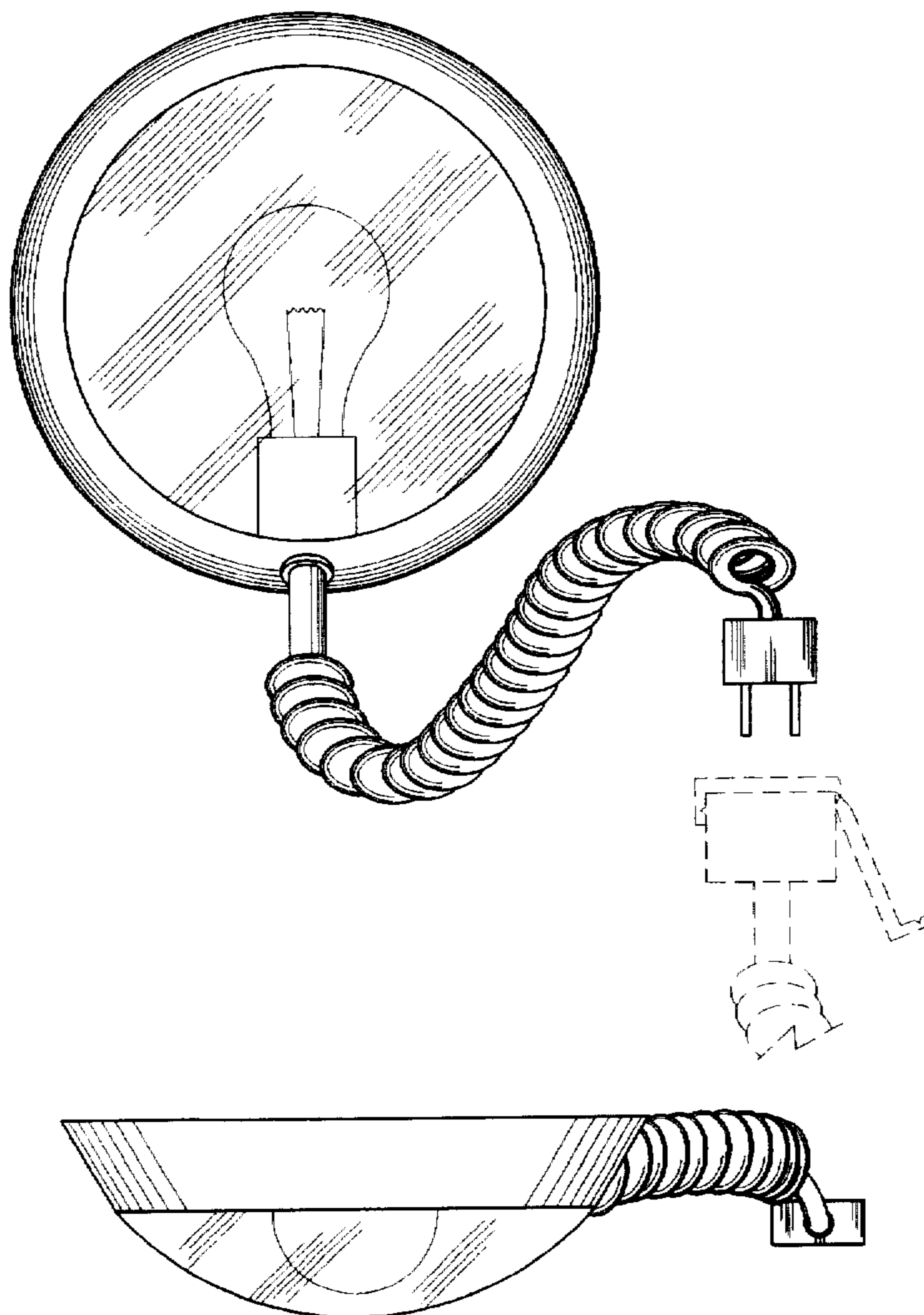
FIG. 4 is a right side plan view of the helmet with signal light system of FIG. 1;

FIG. 5 is a top plan view of the helmet with signal light system of FIG. 1;

FIG. 6 is a bottom plan view of the helmet with signal light system of FIG. 1; and,

FIG. 7 is a right side elevational view thereof, with the broken line showing for illustrative purposes only and forming no part of the claimed design.

1 Claim, 4 Drawing Sheets



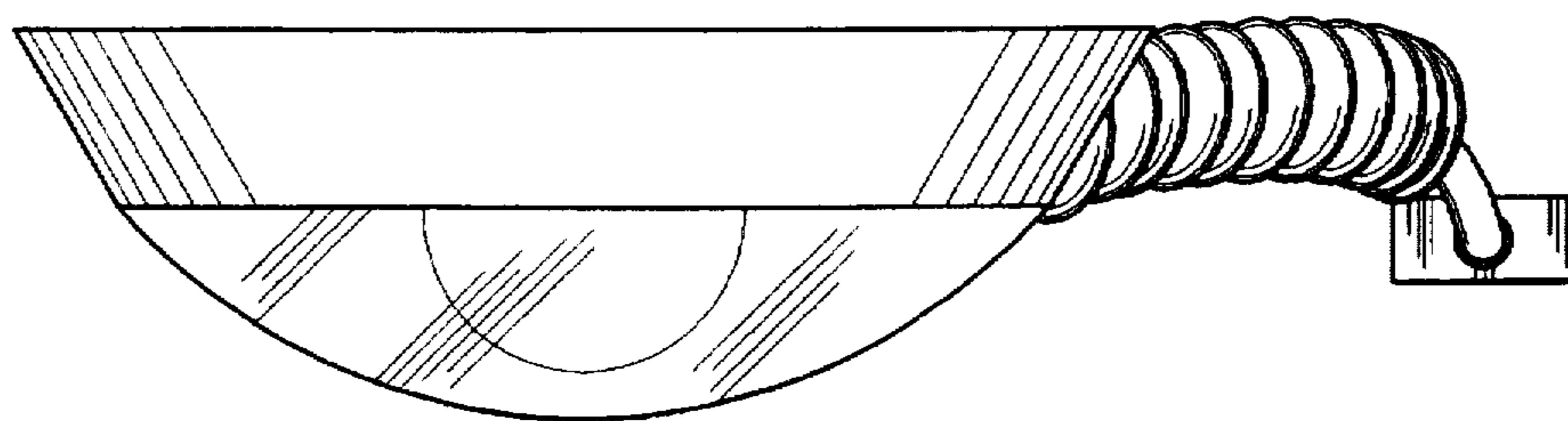


Fig. 5

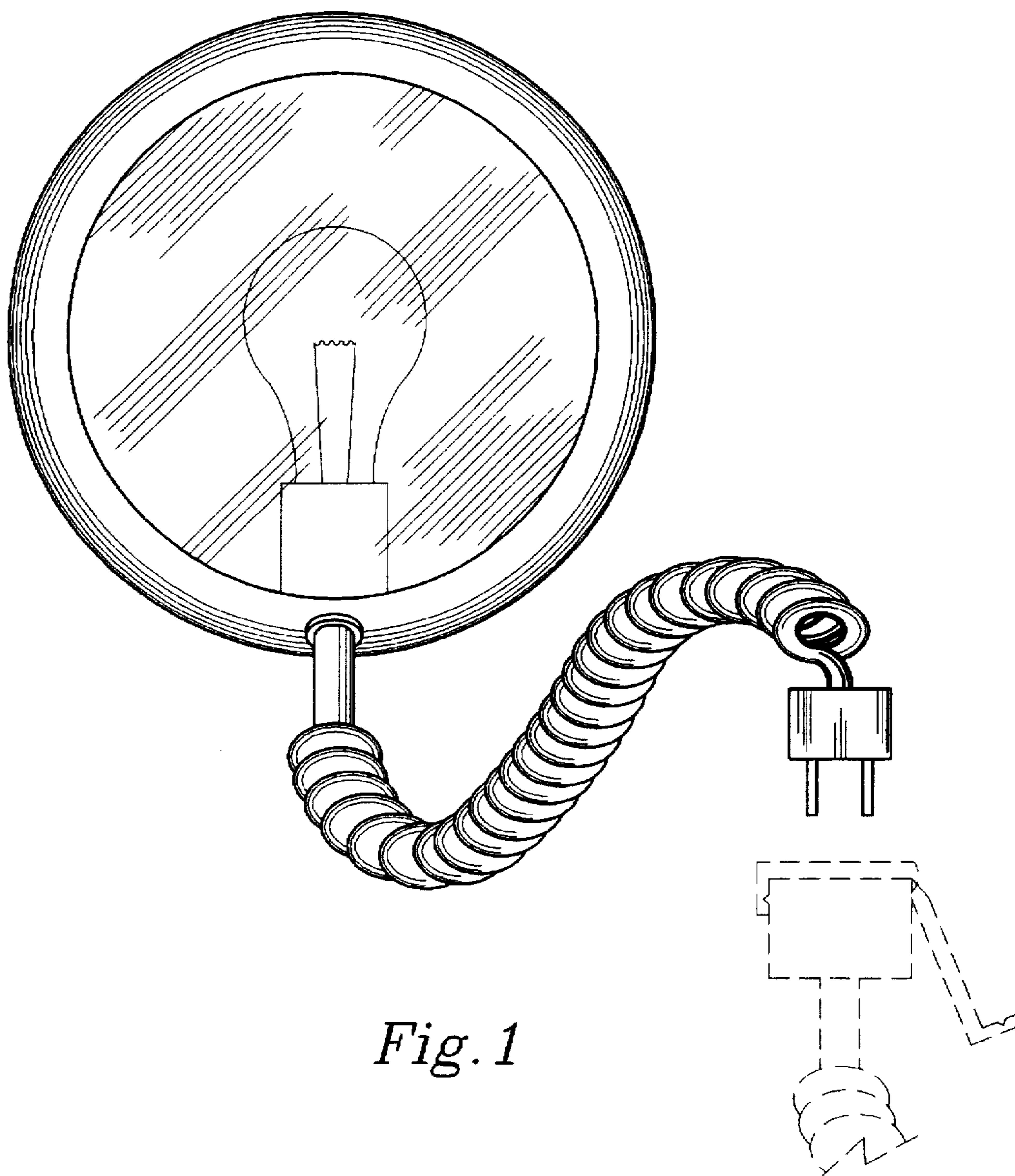


Fig. 1

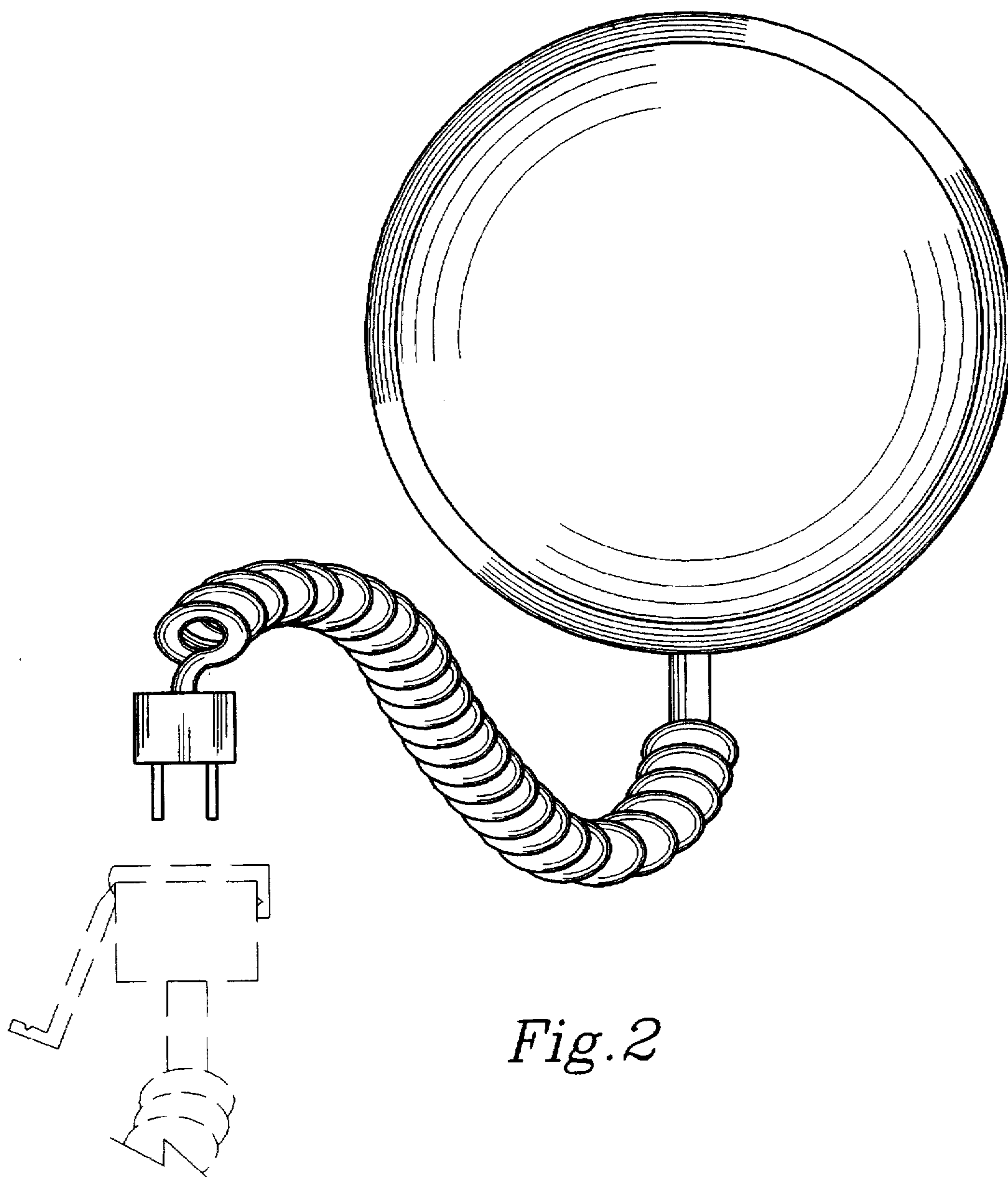


Fig. 2

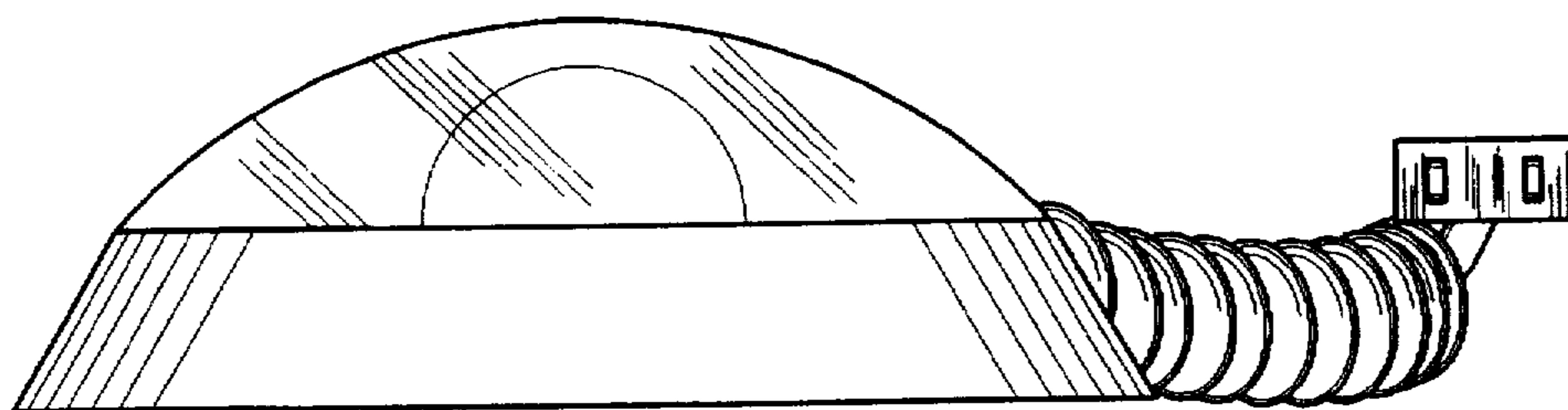


Fig. 6

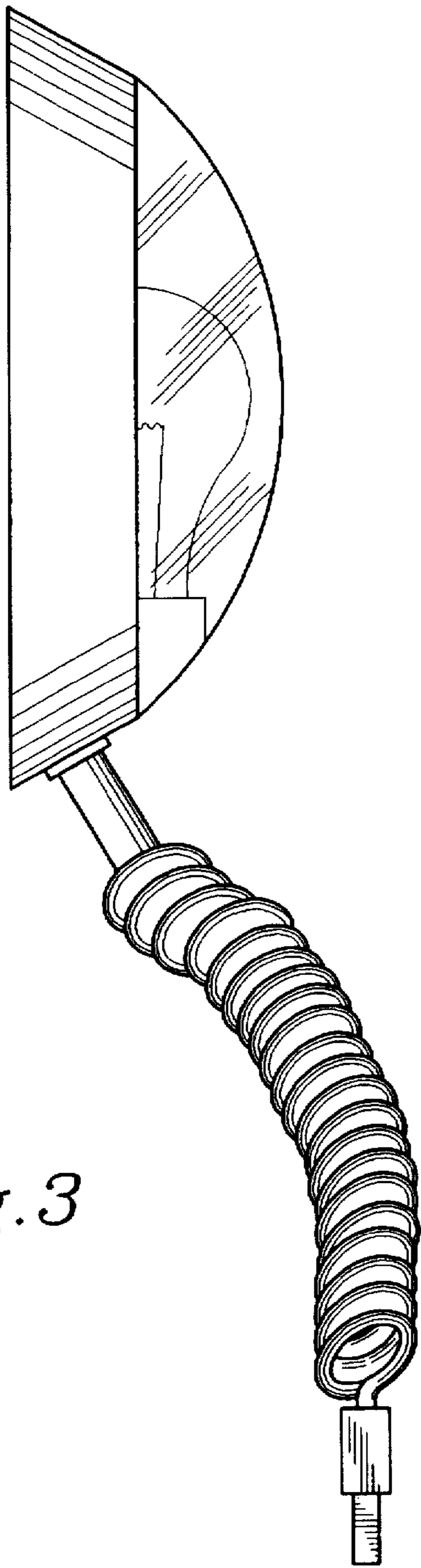


Fig. 3

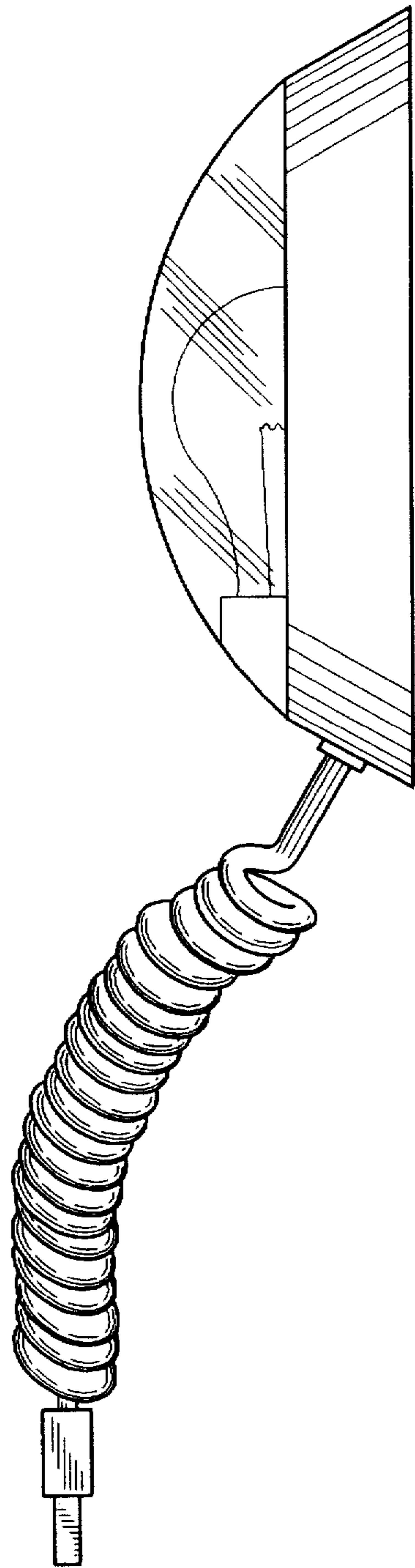


Fig. 4

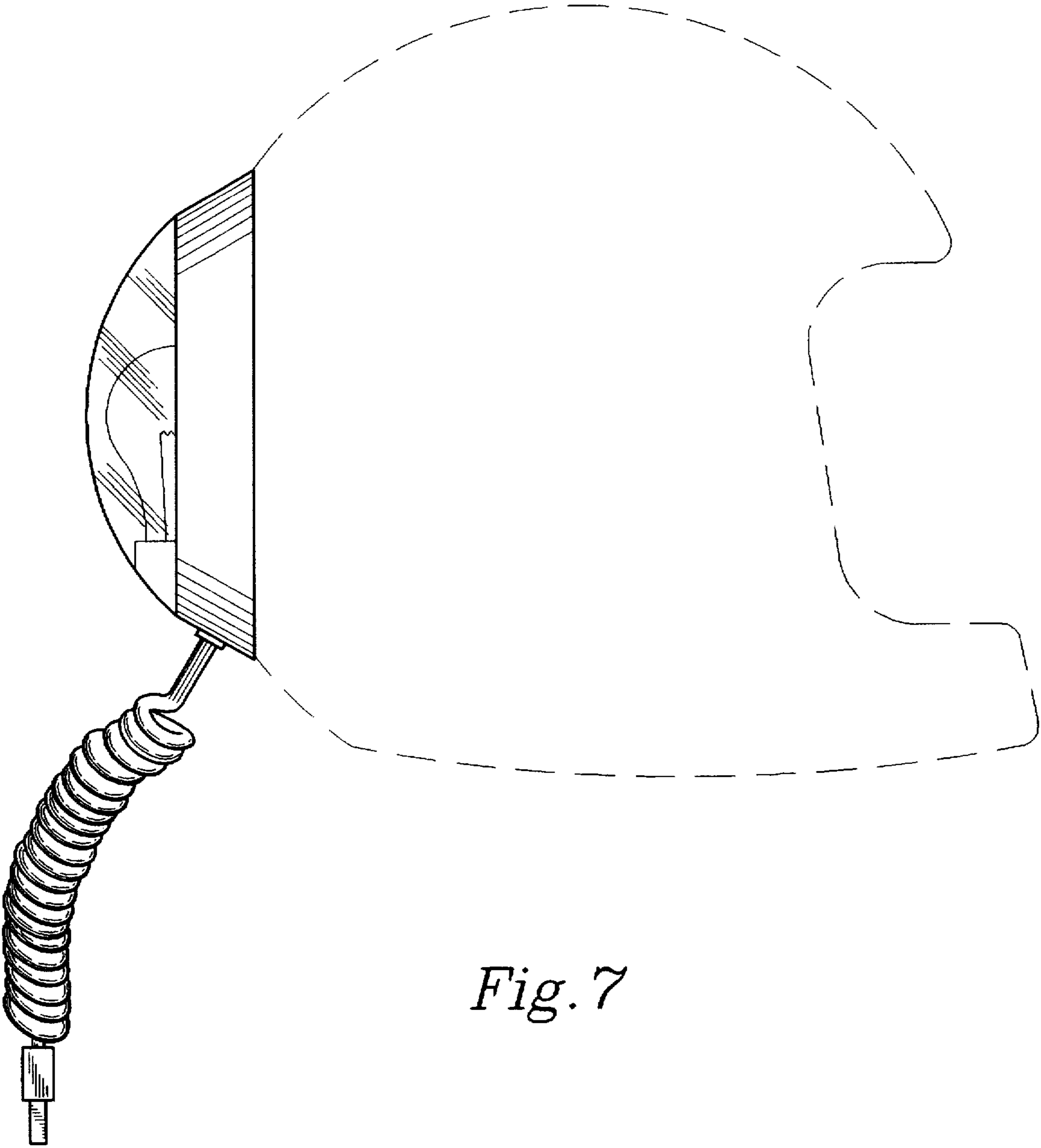


Fig. 7