



US00D388888S

United States Patent [19]
Arya

[11] **Patent Number:** **Des. 388,888**
[45] **Date of Patent:** ****Jan. 6, 1998**

[54] **CONICAL PAD FOOTING USING
COMPACTED SAND OR FINE CRUSHED
SLAG IN A THIN CONICAL SHELL**

3,630,474 12/1971 Minor D25/133
4,673,157 6/1987 Wells 52/296

Primary Examiner—Doris Clark

[76] **Inventor:** **Anoop Kumar Arya**, 14 Derwent
Crescent, Lakelands N.S.W. 2282,
Australia

[57] **CLAIM**

[**] **Term:** **14 Years**

The ornamental design for a conical pad footing using
compacted sand or fine crushed slag in a thin conical shell,
as shown and described.

[21] **Appl. No.:** **42,044**

DESCRIPTION

[22] **Filed:** **Jul. 31, 1995**

FIG. 1 is a front perspective view;
FIG. 2 is a cross sectional view taken along line 2—2 of FIG.
5;
FIG. 3 is an enlarged partial view of FIG. 2, showing the
jacking portion thereof;
FIG. 4 is an enlarged partial view of FIG. 2, the broken lines
showing a column is for illustrative purposes only and forms
no part of the claimed design;
FIG. 5 is an enlarged top view; and,
FIG. 6 is an enlarged bottom view.

[51] **LOC (6) CL** **25-01**

[52] **U.S. Cl.** **D25/133**

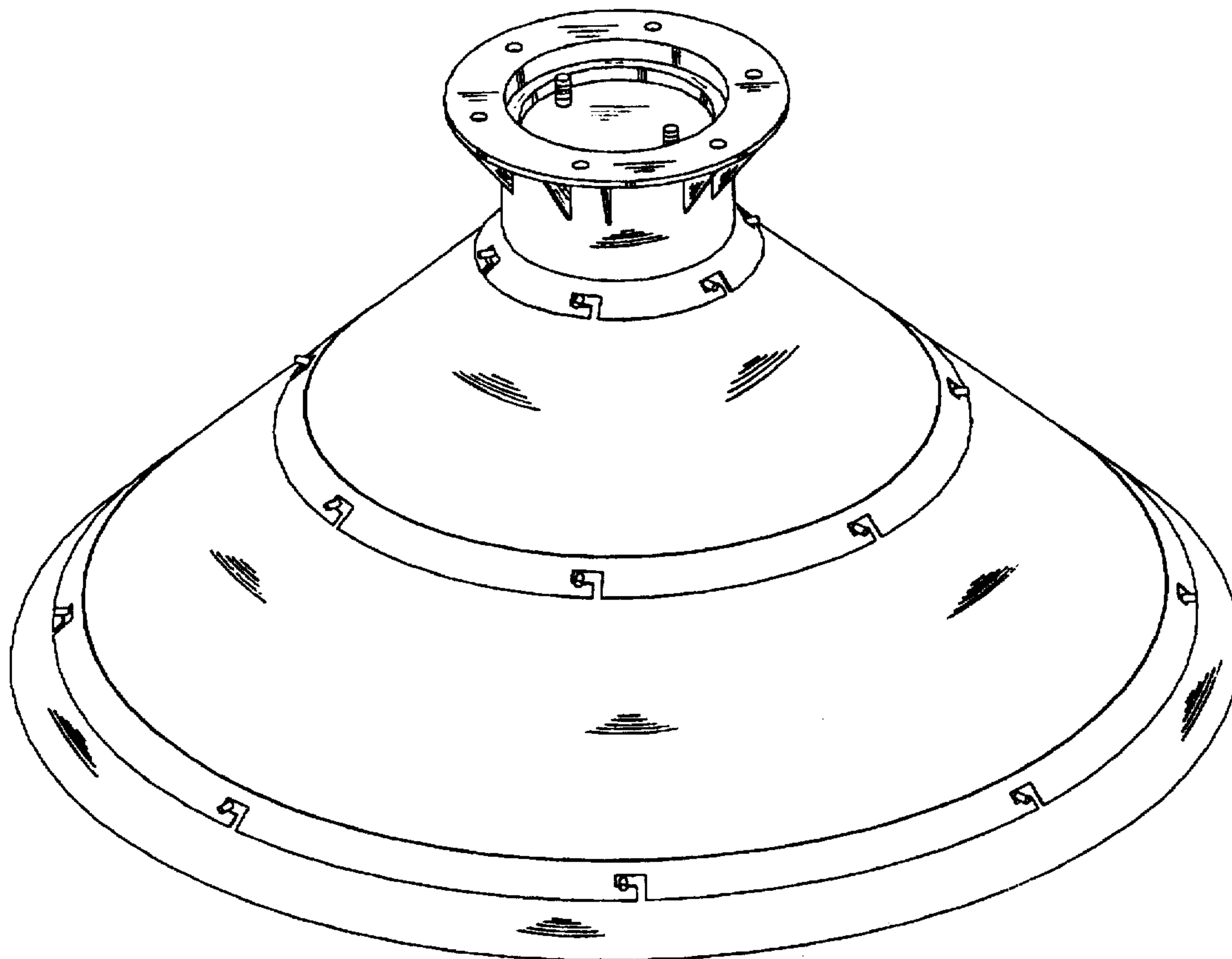
[58] **Field of Search** D25/132, 133;
405/231, 232-239; 52/274, 292, 296

[56] **References Cited**

U.S. PATENT DOCUMENTS

D. 348,738 7/1994 Jasinsky D25/133

1 Claim, 5 Drawing Sheets



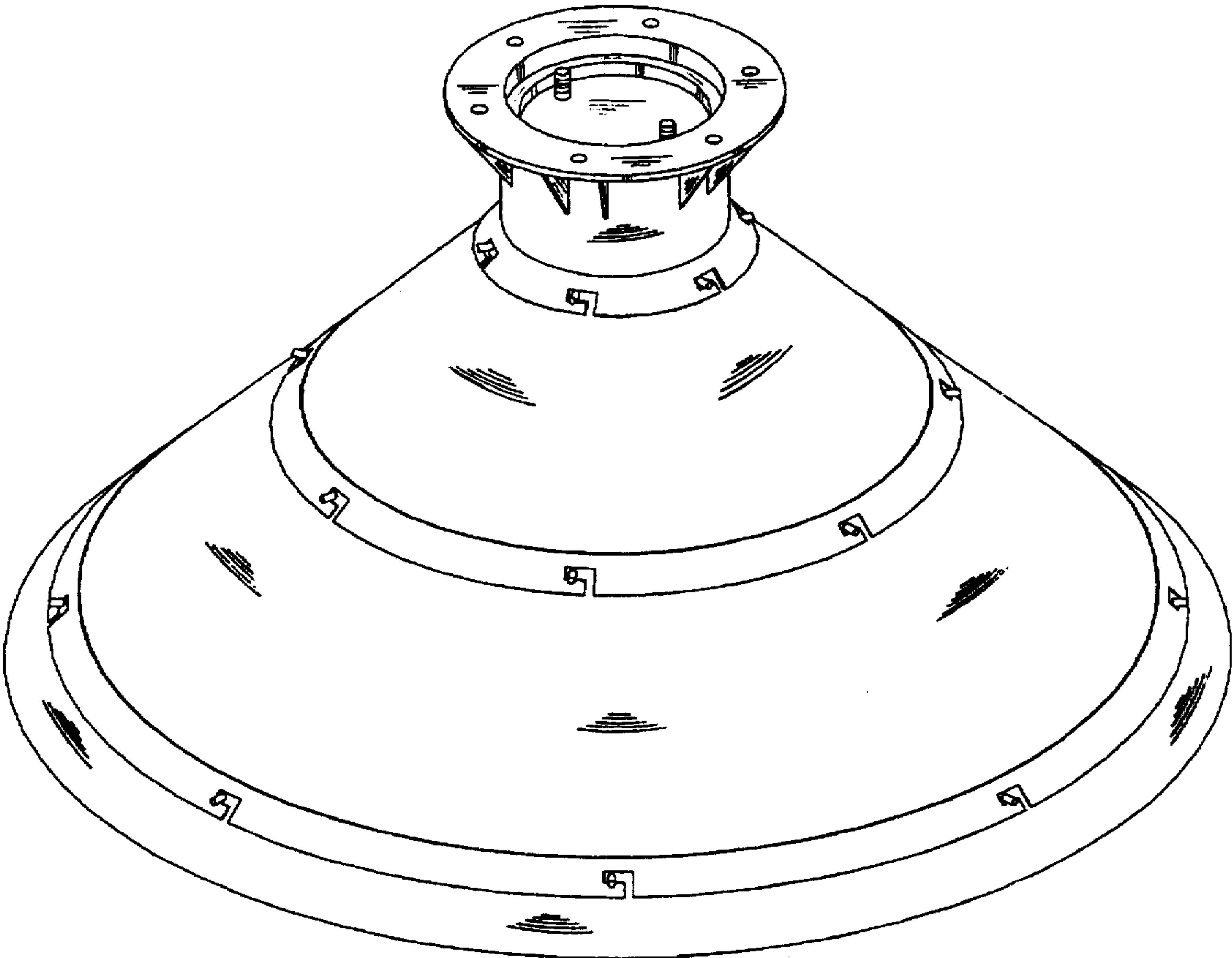


FIGURE - 1

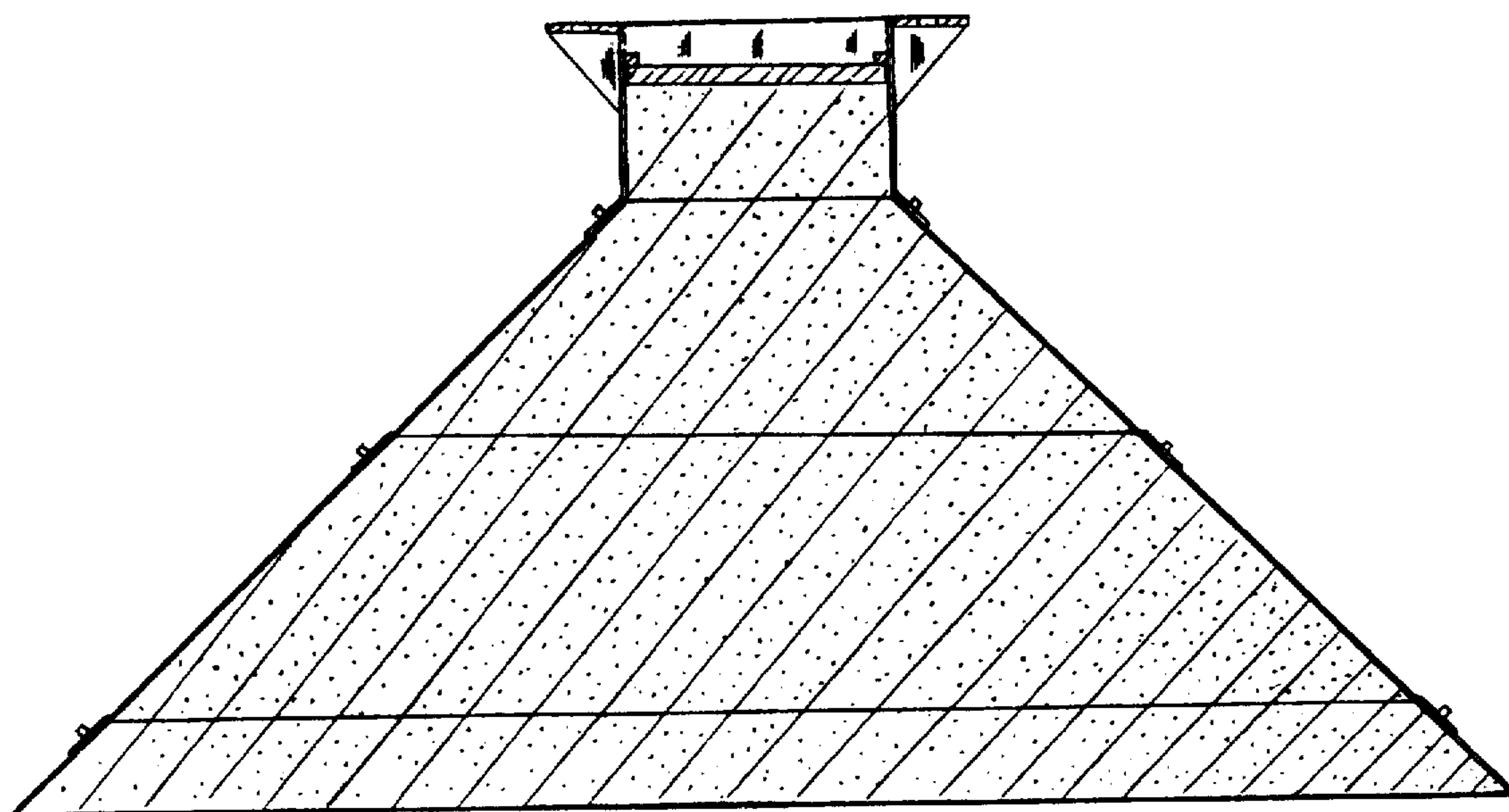


FIGURE - 2

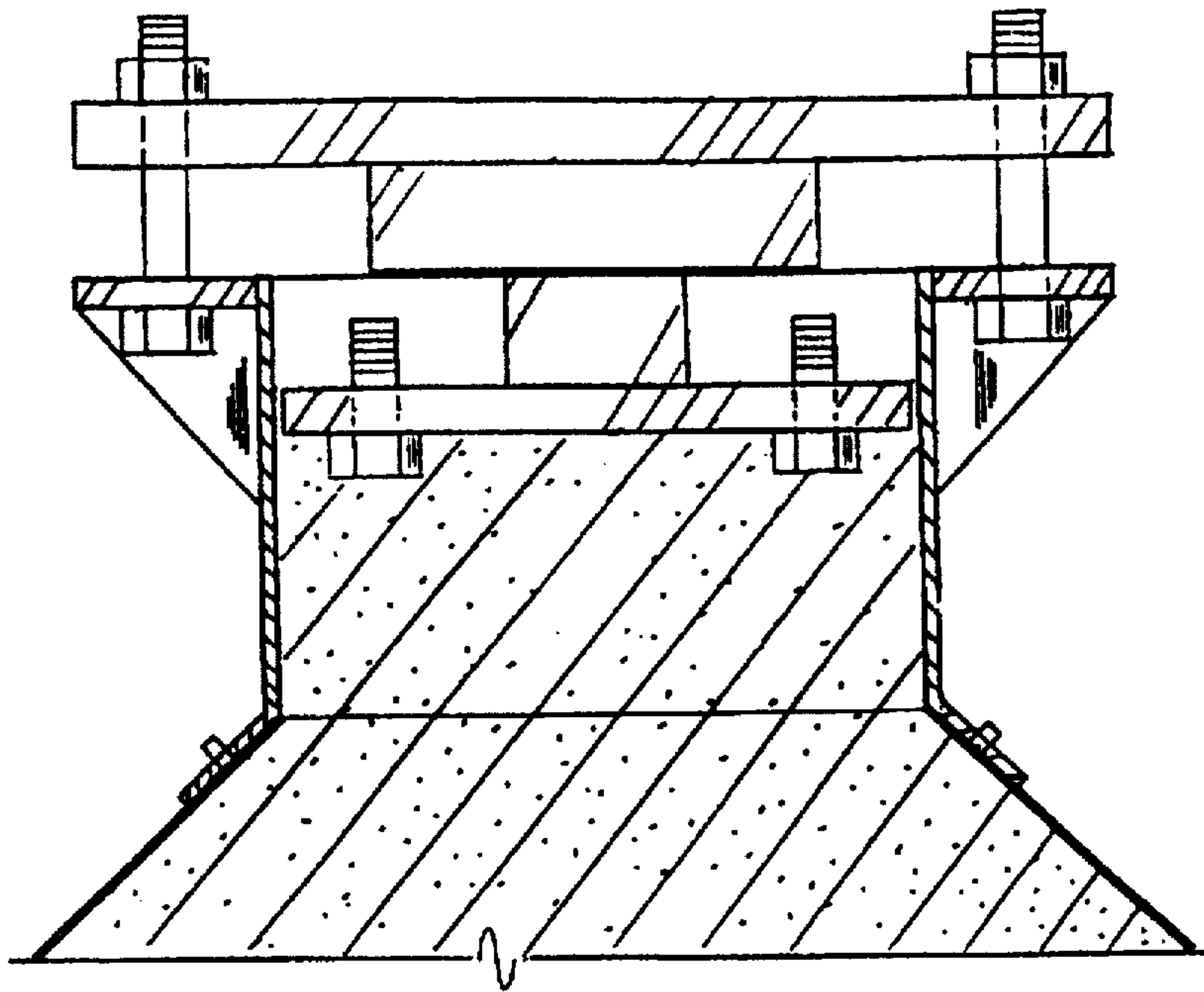


FIGURE - 3

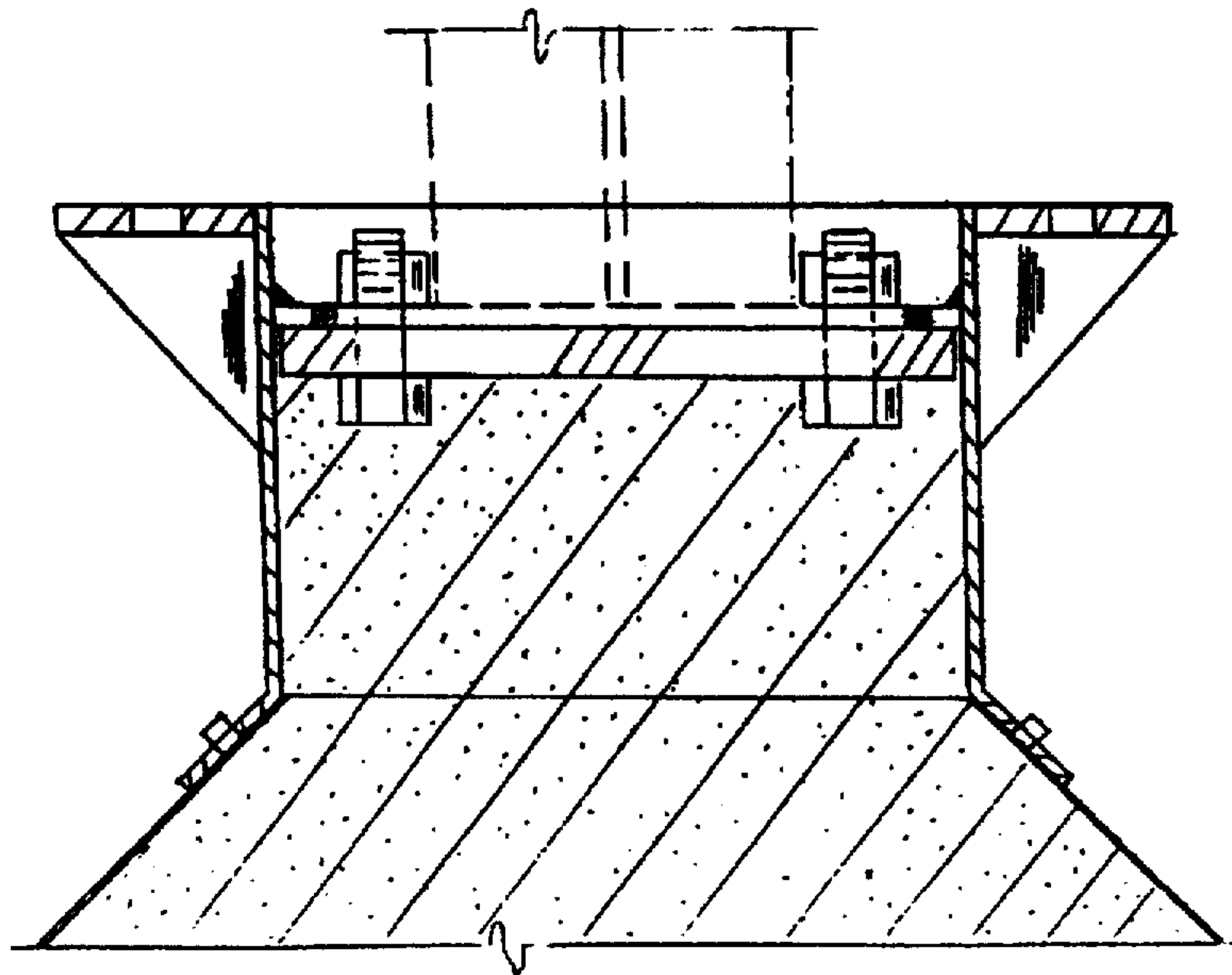


FIGURE - 4

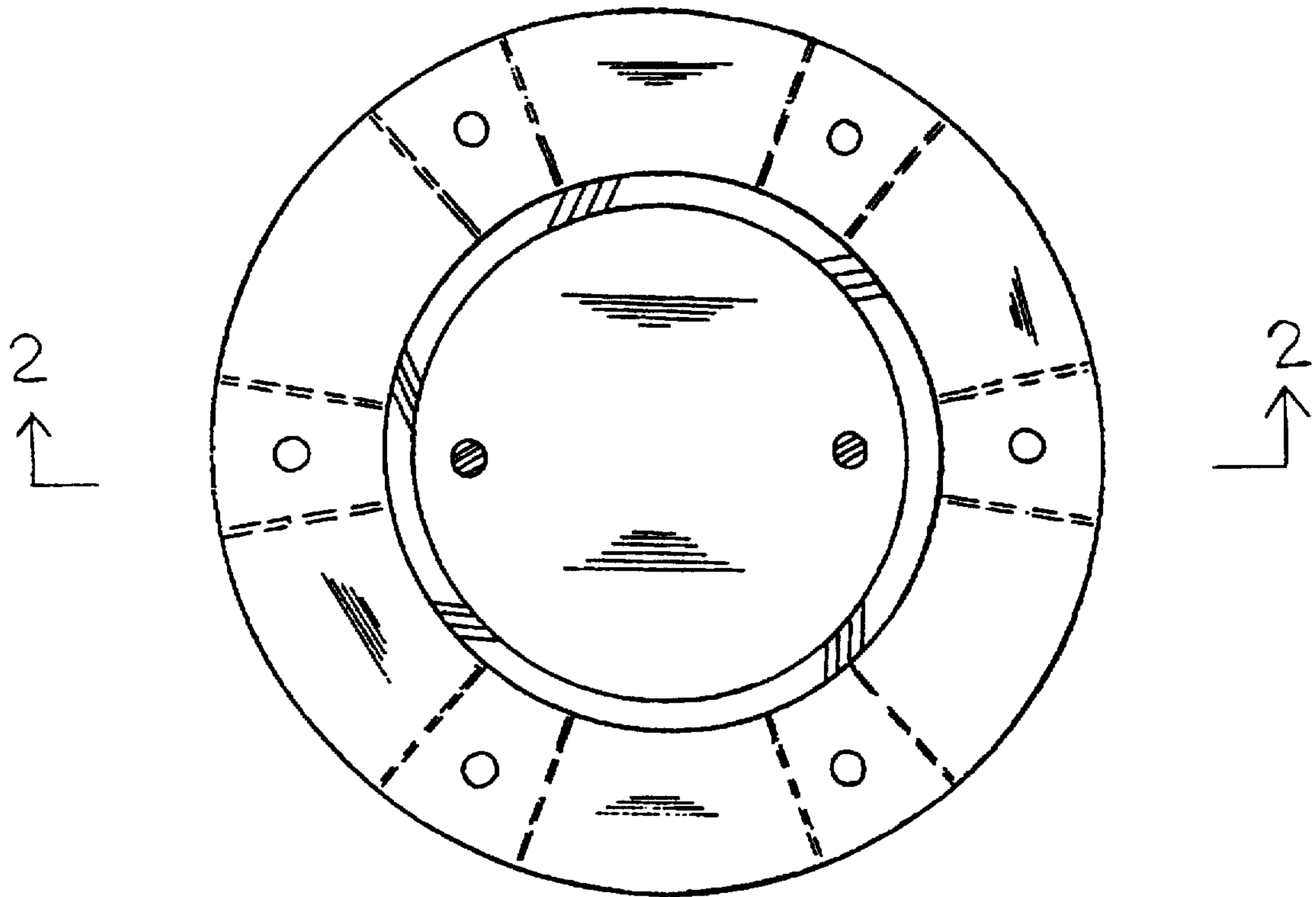


FIGURE - 5

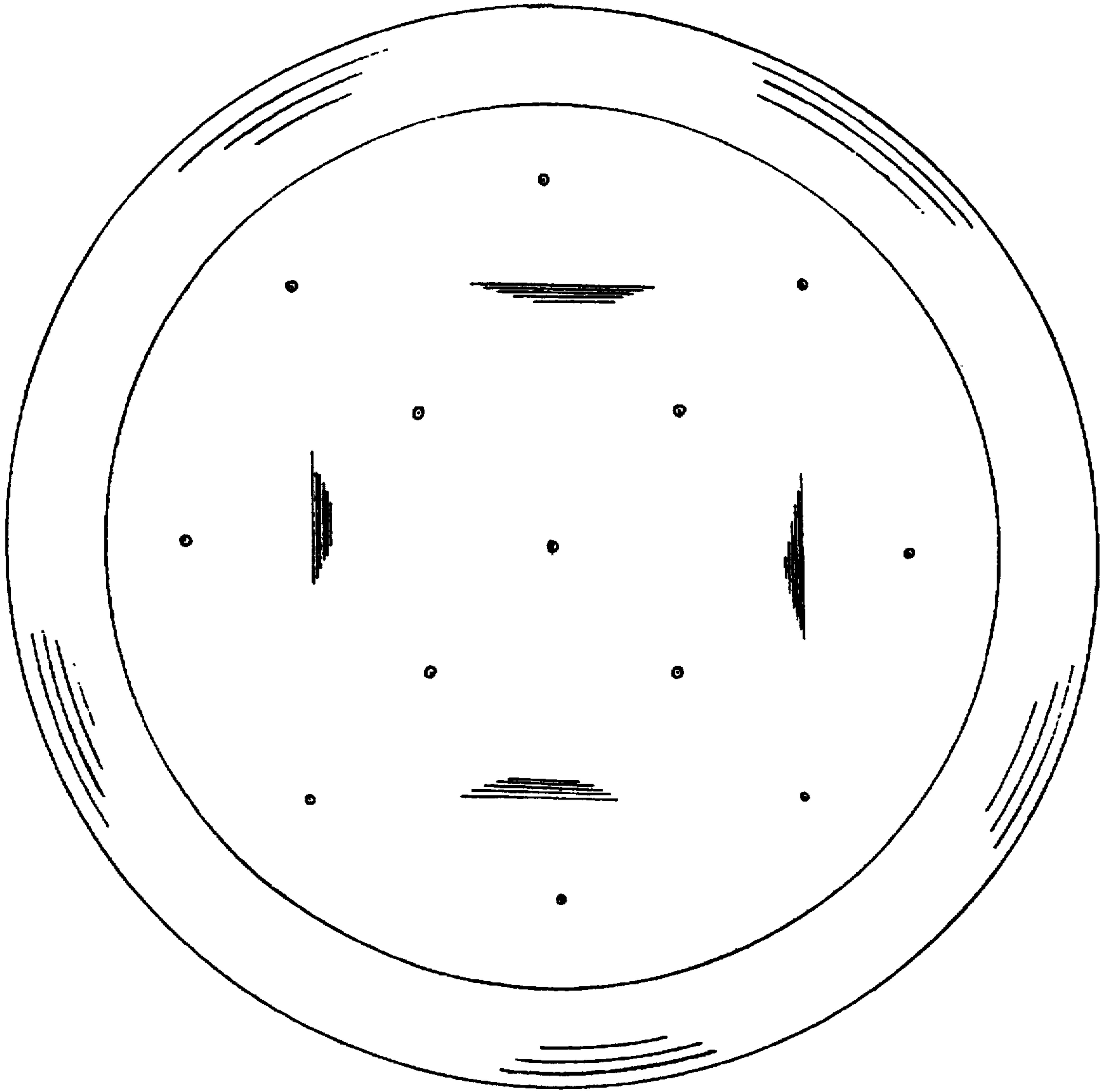


FIGURE - 6