



US00D388884S

**United States Patent** [19]  
**Karnoski**

[11] **Patent Number:** **Des. 388,884**  
[45] **Date of Patent:** **\*\*Jan. 6, 1998**

[54] **CORNER MOLDING TRIM PIECE**

3,676,974 7/1972 Daly ..... 52/287.1  
4,852,318 8/1989 Anderson ..... 52/288.1

[76] **Inventor:** **Wayne Karnoski, 724 Via Los Santos,  
San Dimas, Calif. 91773**

*Primary Examiner*—Doris Clark  
*Attorney, Agent, or Firm*—Roy A. Ekstrand

[\*\*] **Term:** **14 Years**

[57] **CLAIM**

[21] **Appl. No.:** **48,659**

The ornamental design for a corner molding trim piece, as shown and described.

[22] **Filed:** **Jan. 11, 1996**

**DESCRIPTION**

[51] **LOC (6) Cl.** ..... **25-01**

FIG. 1 sets forth a perspective view of a corner molding trim piece showing the present invention new design;

[52] **U.S. Cl.** ..... **D25/102; D25/136**

FIG. 2 is a front view thereof;

[58] **Field of Search** ..... **D25/102, 136;**  
**52/280, 288.1, 255, 272, 282.3, 282.1,**  
**244**

FIG. 3 is a rear view thereof;

FIG. 4 is a left side view thereof;

FIG. 5 is a right side view thereof;

FIG. 6 is a top view thereof; and,

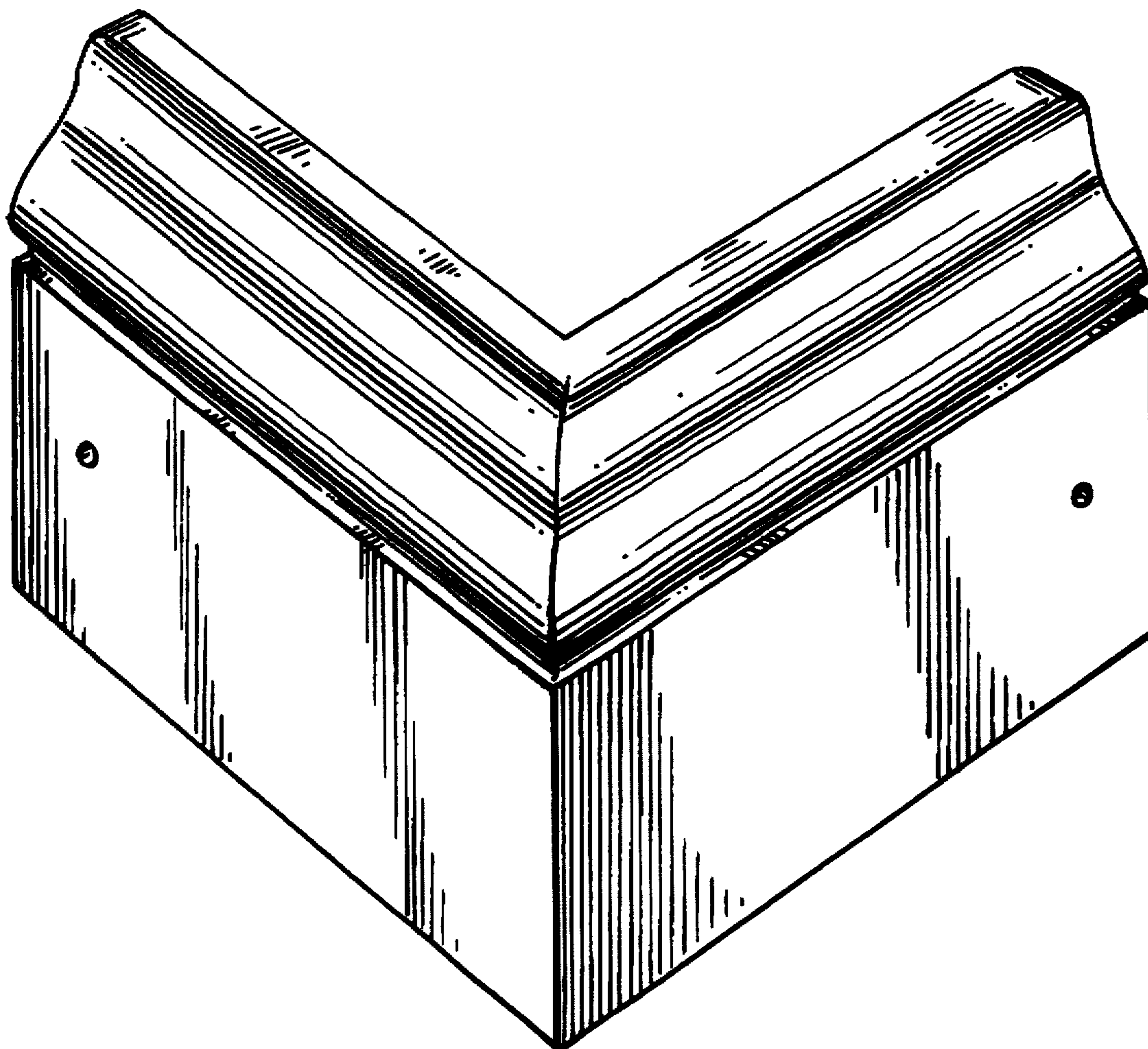
FIG. 7 is a bottom view thereof.

[56] **References Cited**

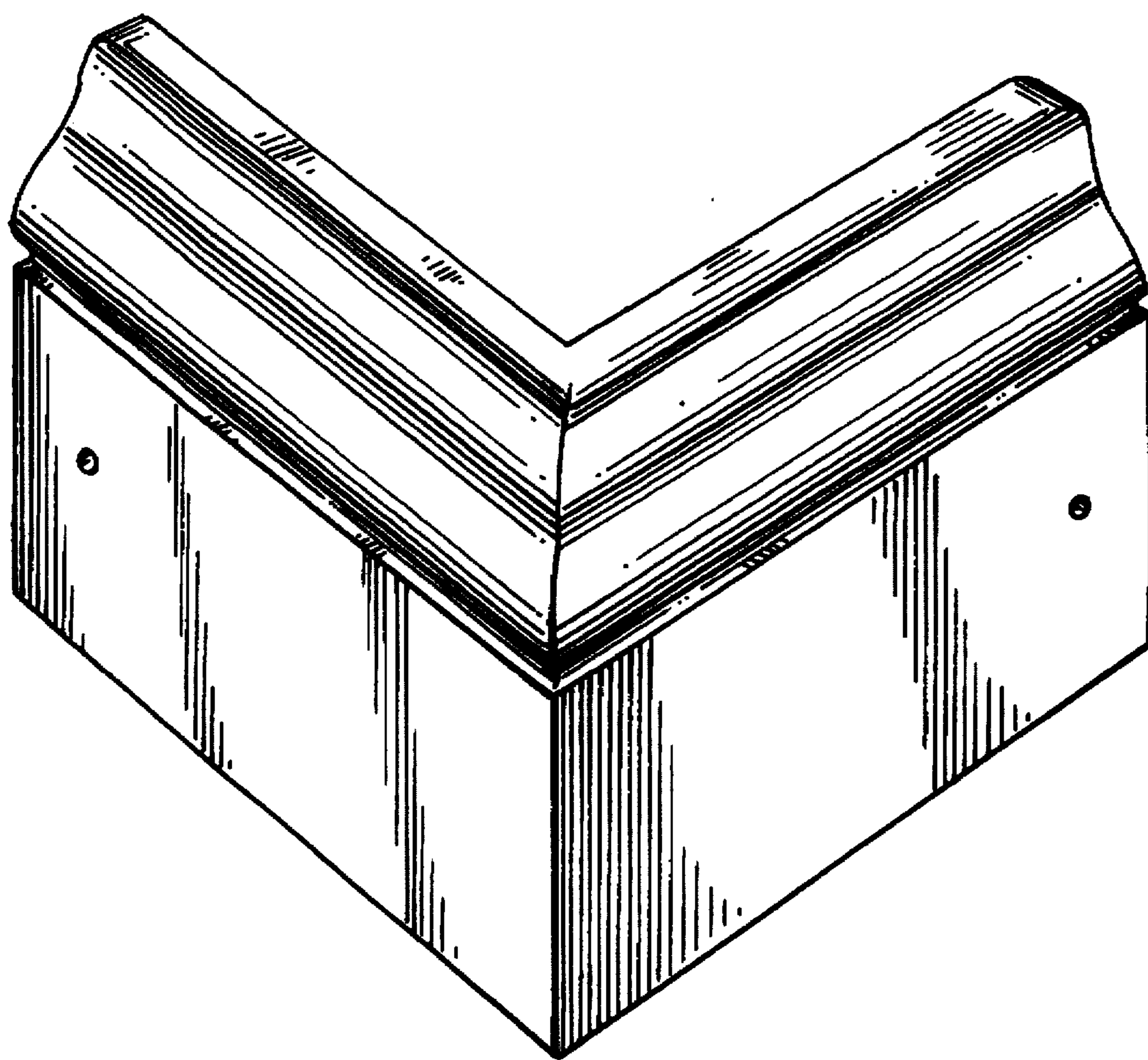
**U.S. PATENT DOCUMENTS**

D. 354,819 1/1995 Hoaks ..... D25/102

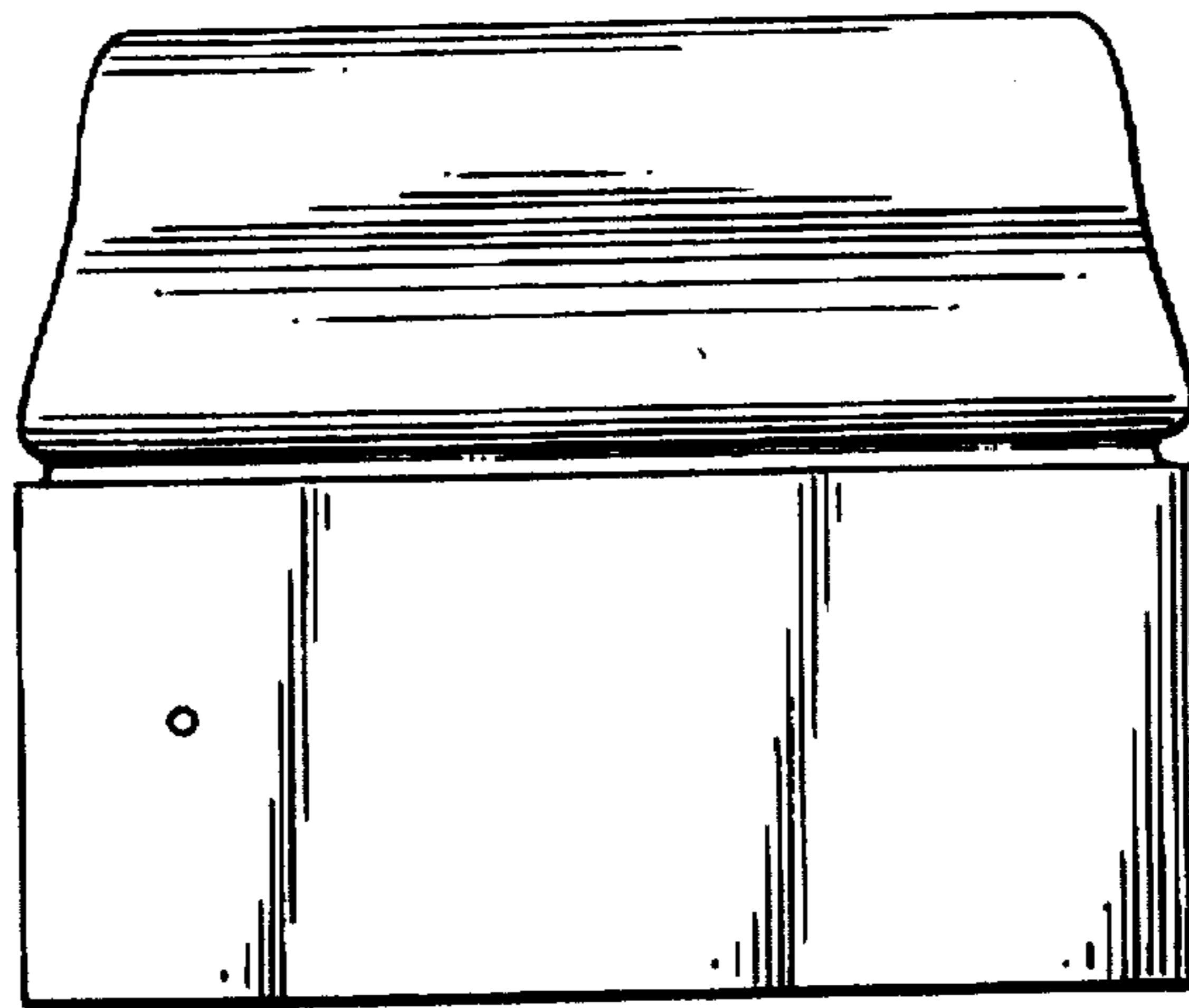
**1 Claim, 3 Drawing Sheets**



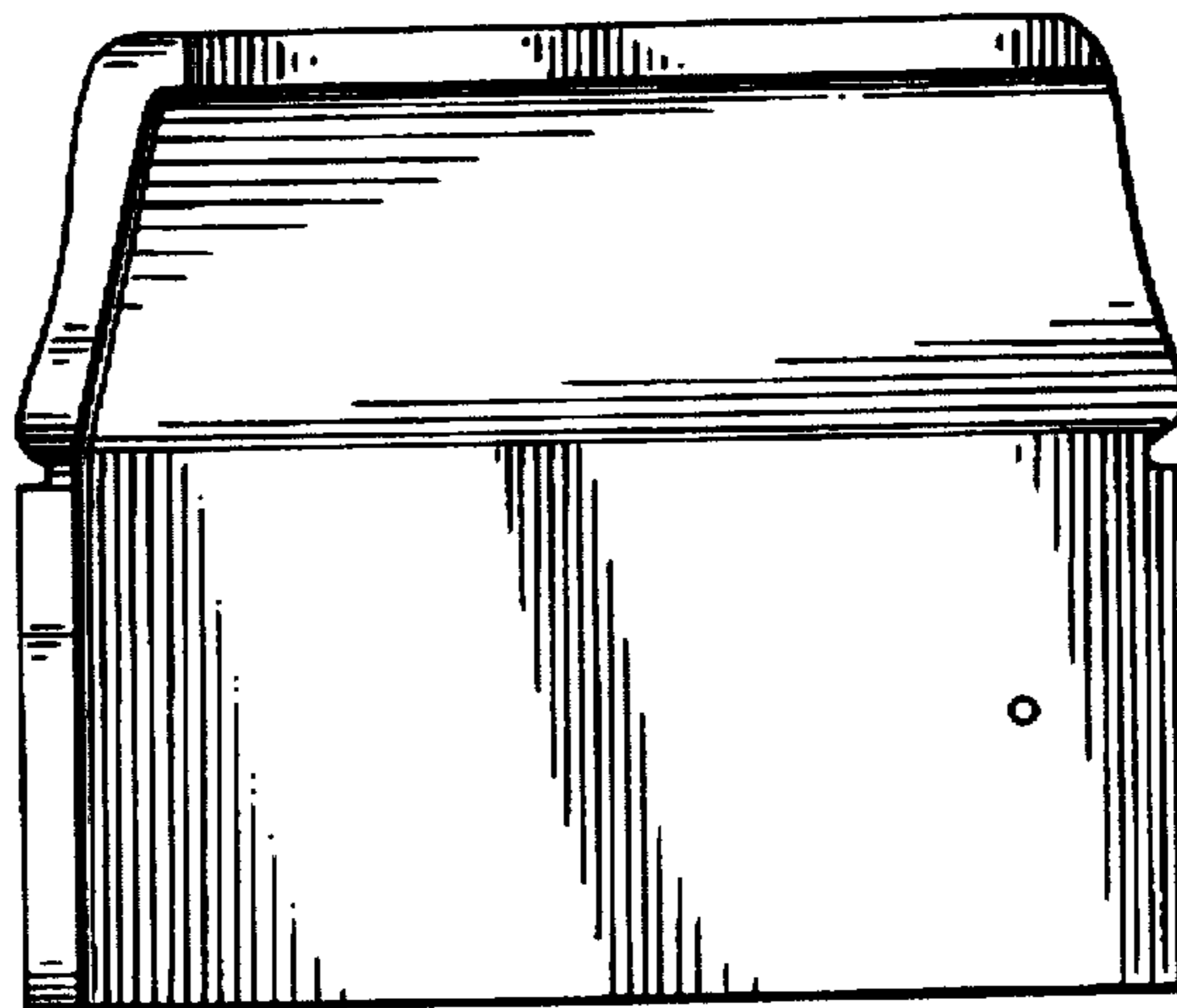
*FIG. 1*



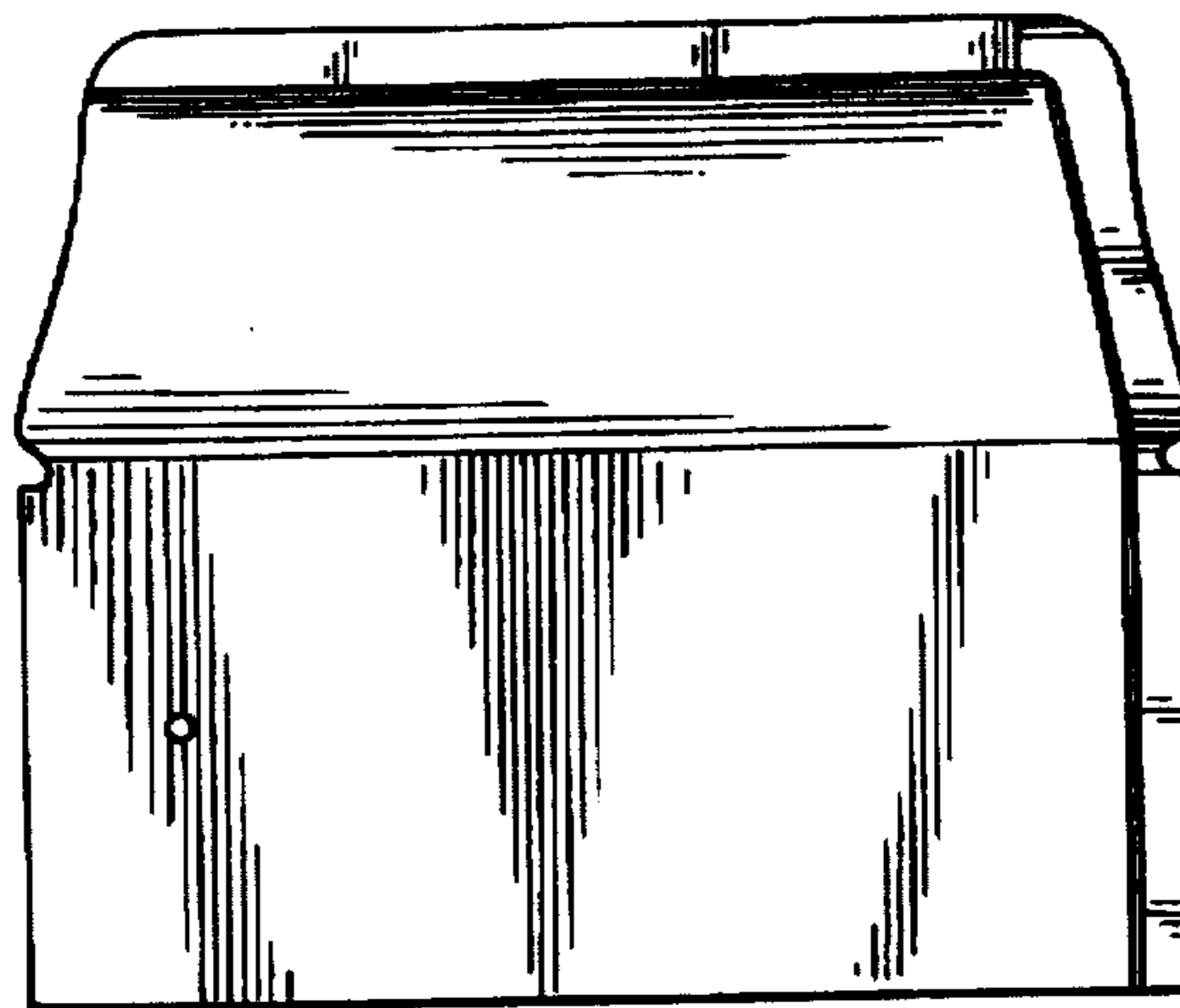
*FIG. 2*



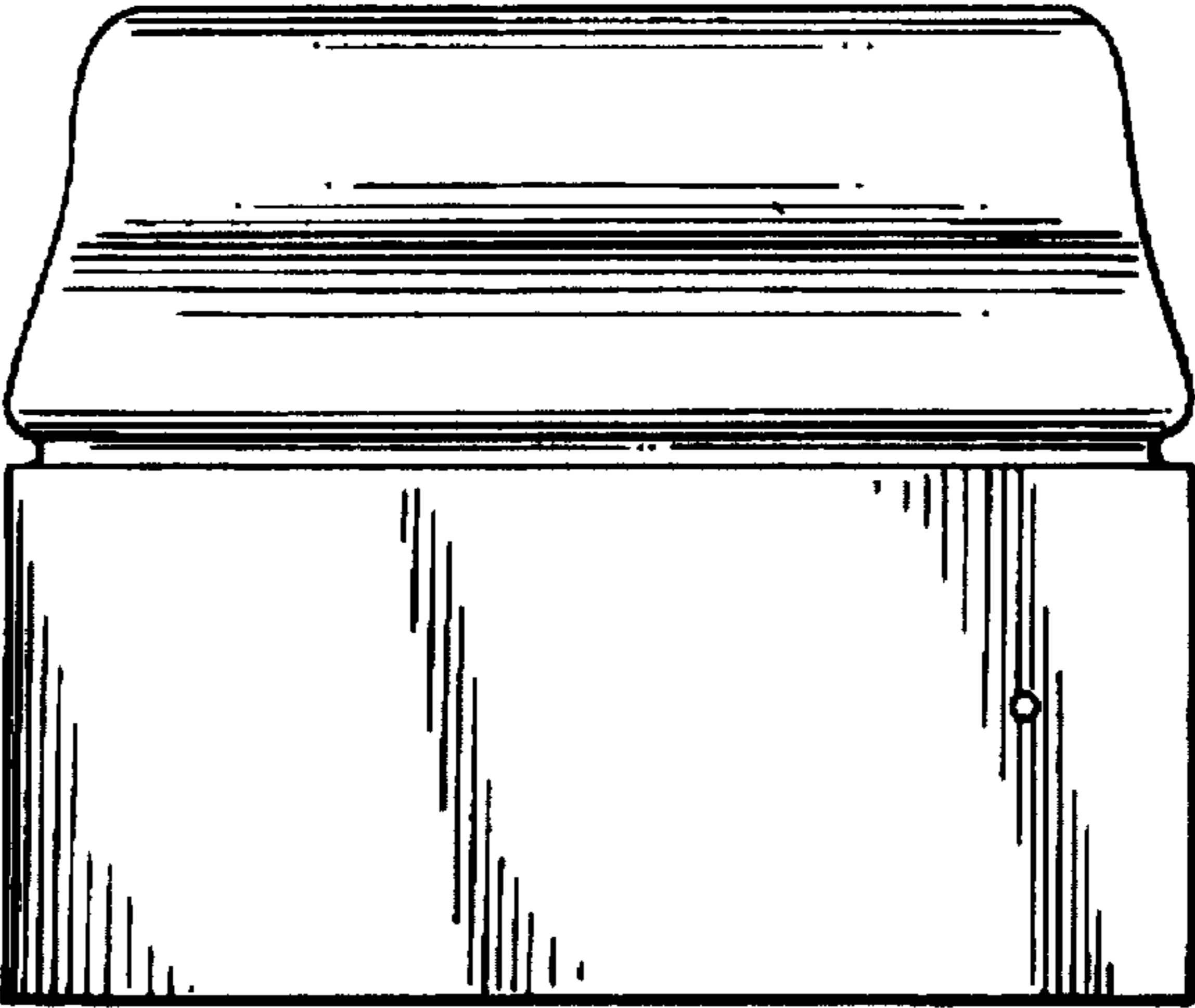
*FIG. 3*



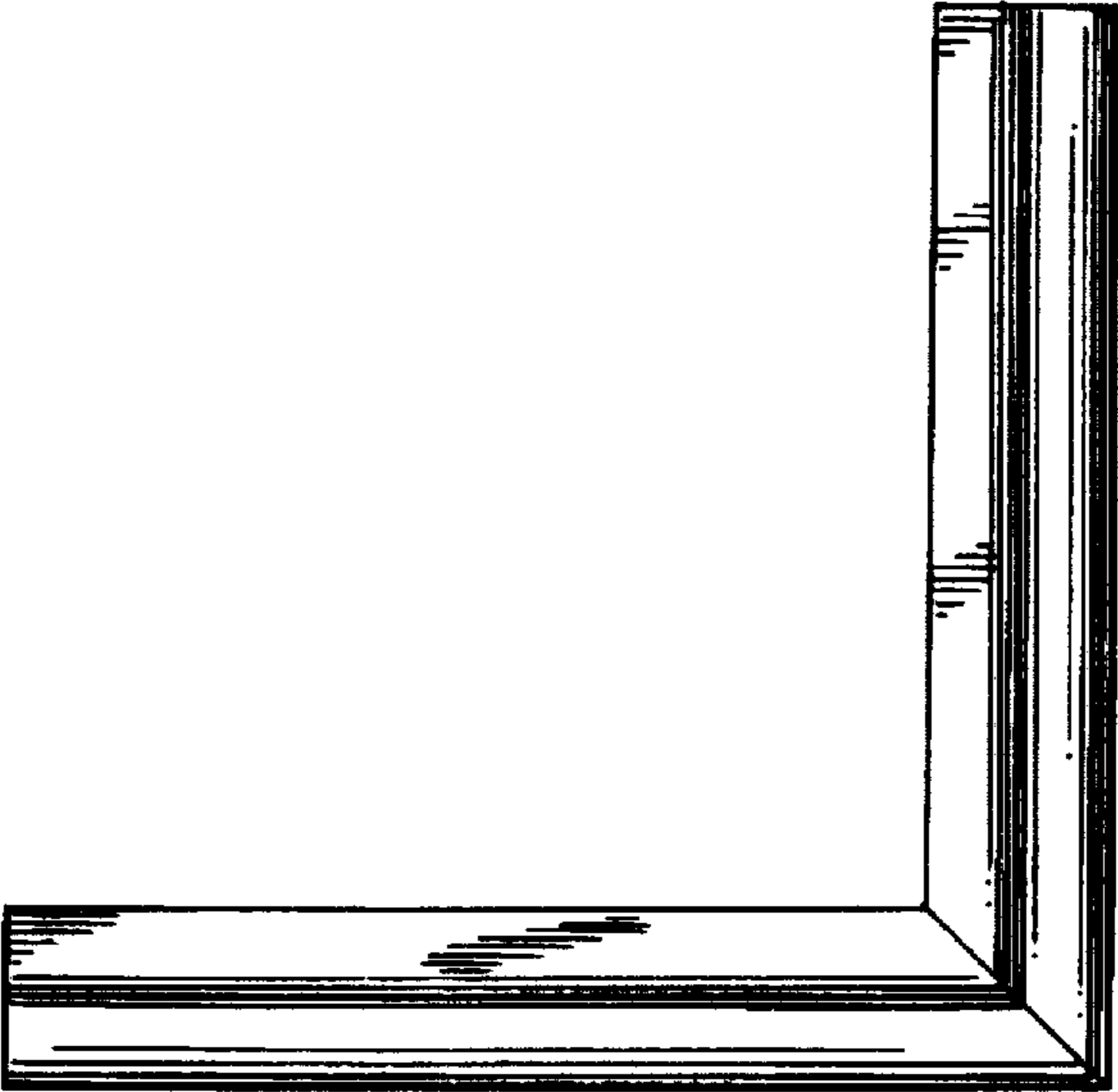
*FIG. 4*



*FIG. 5*



*FIG. 6*



*FIG. 7*

