



US00D388883S

United States Patent [19]

[11] Patent Number: Des. 388,883

Thivierge et al.

[45] Date of Patent: **Jan. 6, 1998

[54] LADDER PLATFORM

5,342,008 8/1994 Kay 248/238

[76] Inventors: **Gary R. Thivierge**, 23 Willow Way, Lincoln, R.I. 02865; **William K. Crooks**, 8 Idlewild St., Foxboro, Mass. 02035

Primary Examiner—Doris Clark
Attorney, Agent, or Firm—Sharon L. Day

[**] Term: 14 Years

[57] CLAIM

The ornamental design for a ladder platform, as shown.

[21] Appl. No.: 37,171

DESCRIPTION

[22] Filed: Aug. 26, 1994

[51] LOC (6) Cl. 25-04

[52] U.S. Cl. D25/68

[58] Field of Search D25/68-69; 248/210, 248/230, 211; 182/129, 121, 120, 122

FIG. 1 is a top view;

FIG. 2 is a bottom view; and,

FIG. 3 is a left side elevational view.

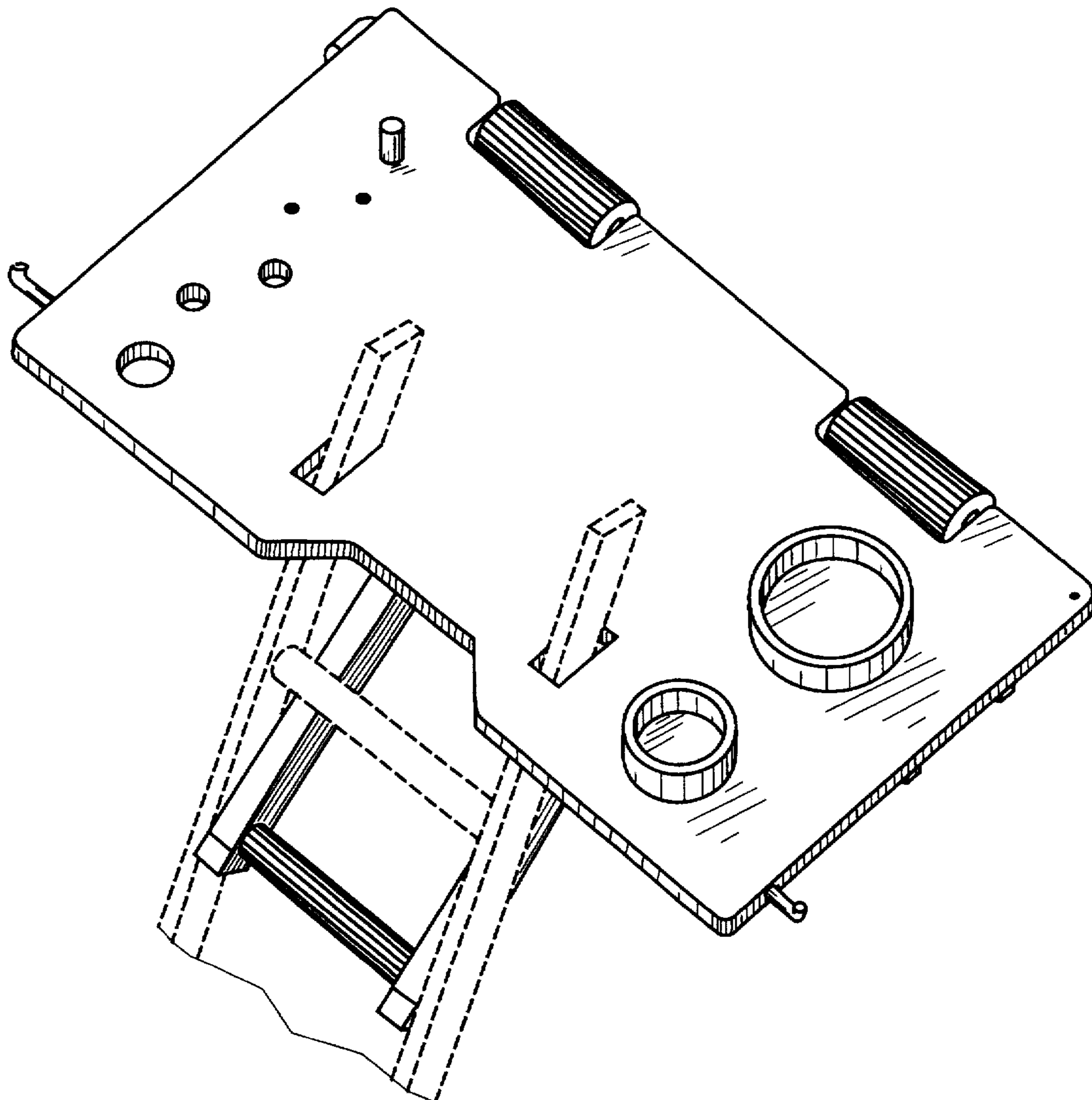
"The broken lines showing a ladder are for illustrative purposes only, and form no part of the claimed design".

[56] References Cited

U.S. PATENT DOCUMENTS

D. 340,773 10/1993 Bartnicki et al. D25/68

1 Claim, 3 Drawing Sheets



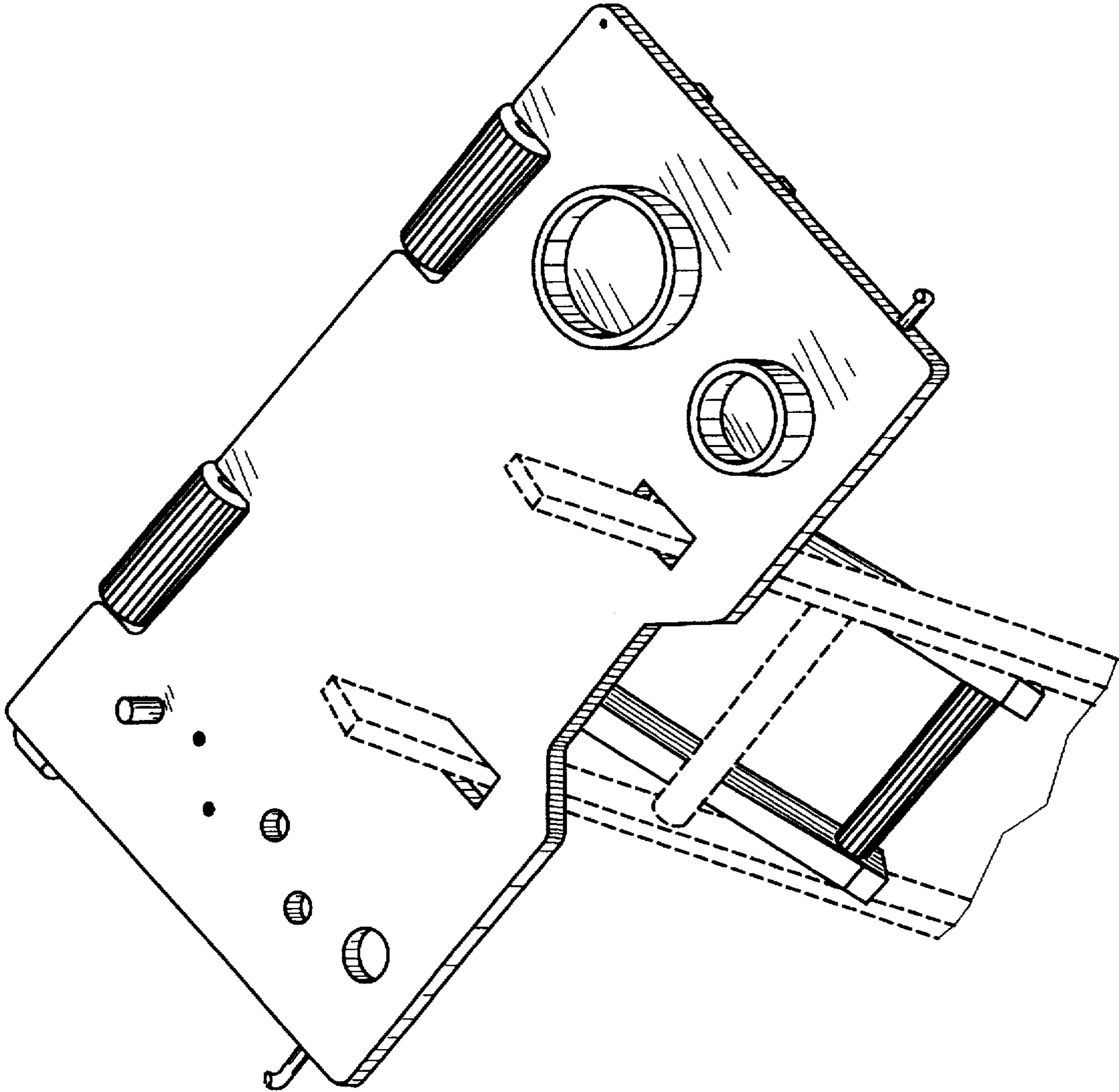


FIGURE 1

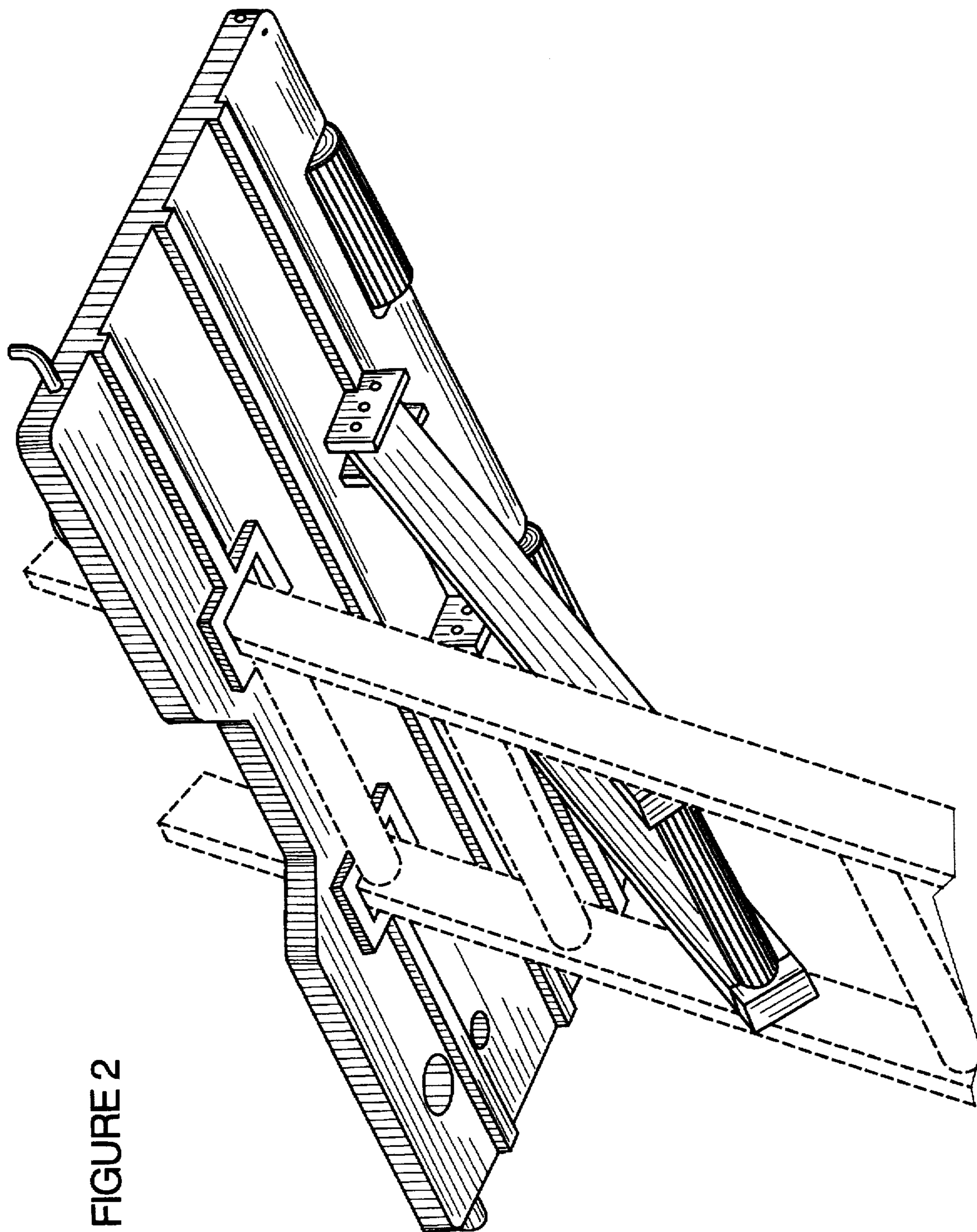


FIGURE 2

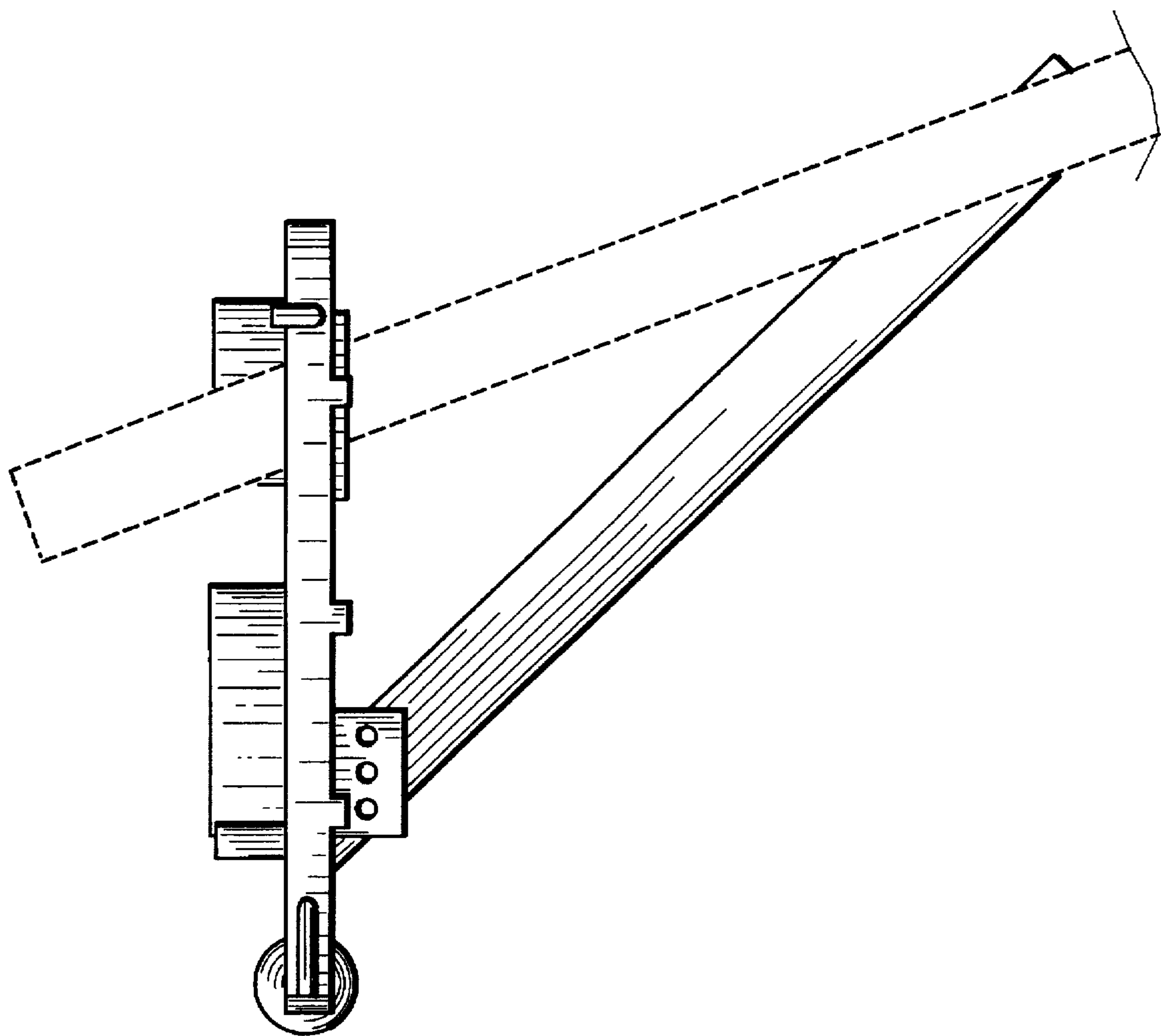


FIGURE 3