



US00D388882S

United States Patent [19] Kain

[11] Patent Number: **Des. 388,882**
[45] Date of Patent: ****Jan. 6, 1998**

- [54] **COMBINED WORK LADDER AND PLATFORM**
- [75] Inventor: **James M. Kain**, Tipp City, Ohio
- [73] Assignee: **Cosco, Inc.**, Columbus, Ind.
- [**] Term: **14 Years**
- [21] Appl. No.: **48,682**
- [22] Filed: **Jan. 11, 1996**
- [51] LOC (6) Cl. **25-04**
- [52] U.S. Cl. **D25/64**
- [58] Field of Search **D25/64; 182/21,**
182/23, 115, 116, 123

[56] **References Cited**
U.S. PATENT DOCUMENTS

D. 341,895	11/1993	Idh	D25/64
4,016,955	4/1977	Gates	182/23
4,485,892	12/1984	Maloney et al.	..	
5,120,013	6/1992	Sweeney	182/116

OTHER PUBLICATIONS

Cosco 1995 Home Furnishings Catalog (Cover and pp. 2, 3) (1995).

Primary Examiner—Doris Clark
Attorney, Agent, or Firm—Barnes & Thornburg

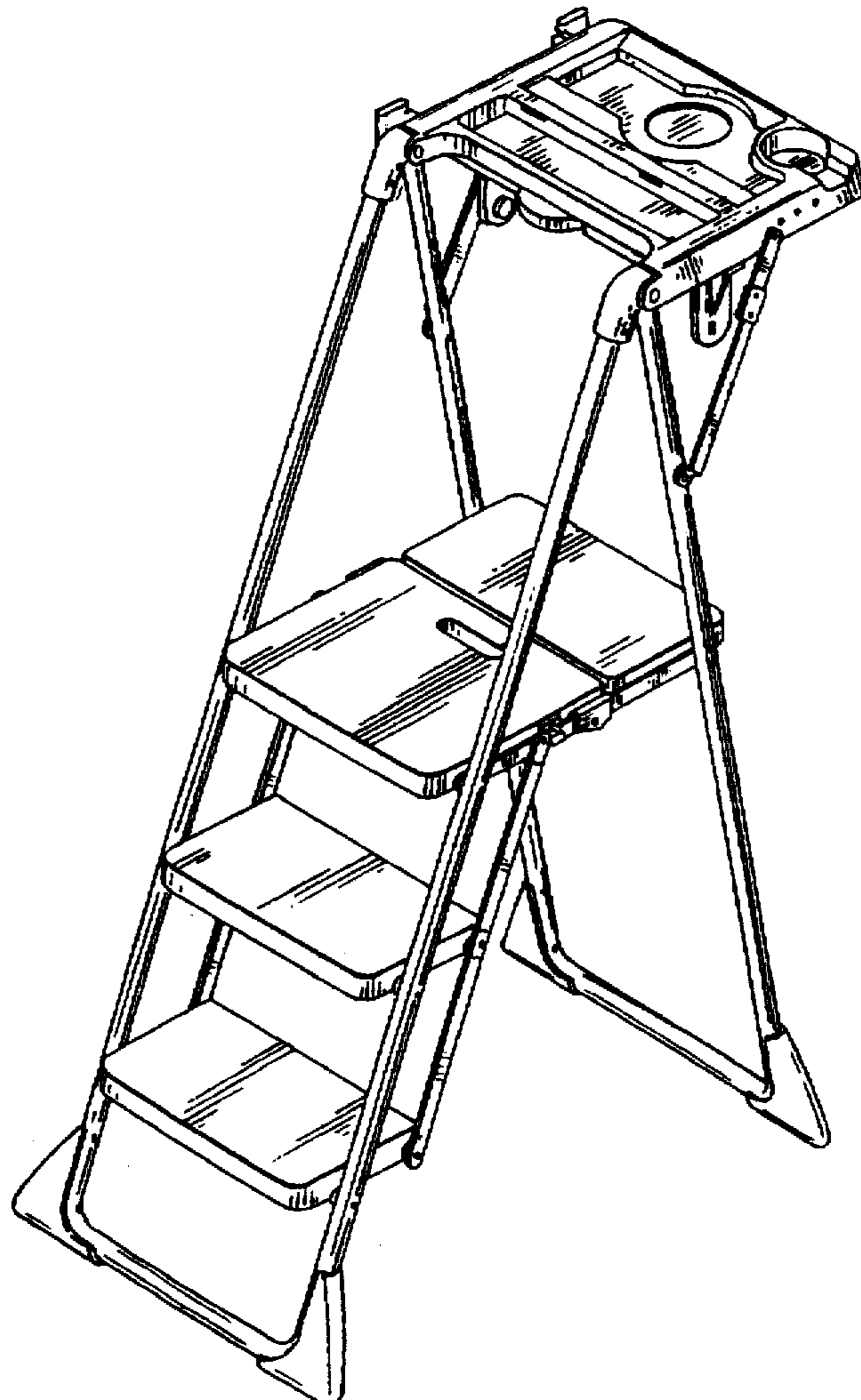
[57] **CLAIM**

The ornamental design for a combined work ladder and platform, as shown and described.

DESCRIPTION

FIG. 1 is a perspective view of a combined work ladder and platform showing my new design;
FIG. 2 is a front elevational view thereof;
FIG. 3 is a right-side elevational view thereof;
FIG. 4 is a left-side elevational view thereof;
FIG. 5 is a rear elevational view thereof; and,
FIG. 6 is a top plan view thereof.

1 Claim, 3 Drawing Sheets



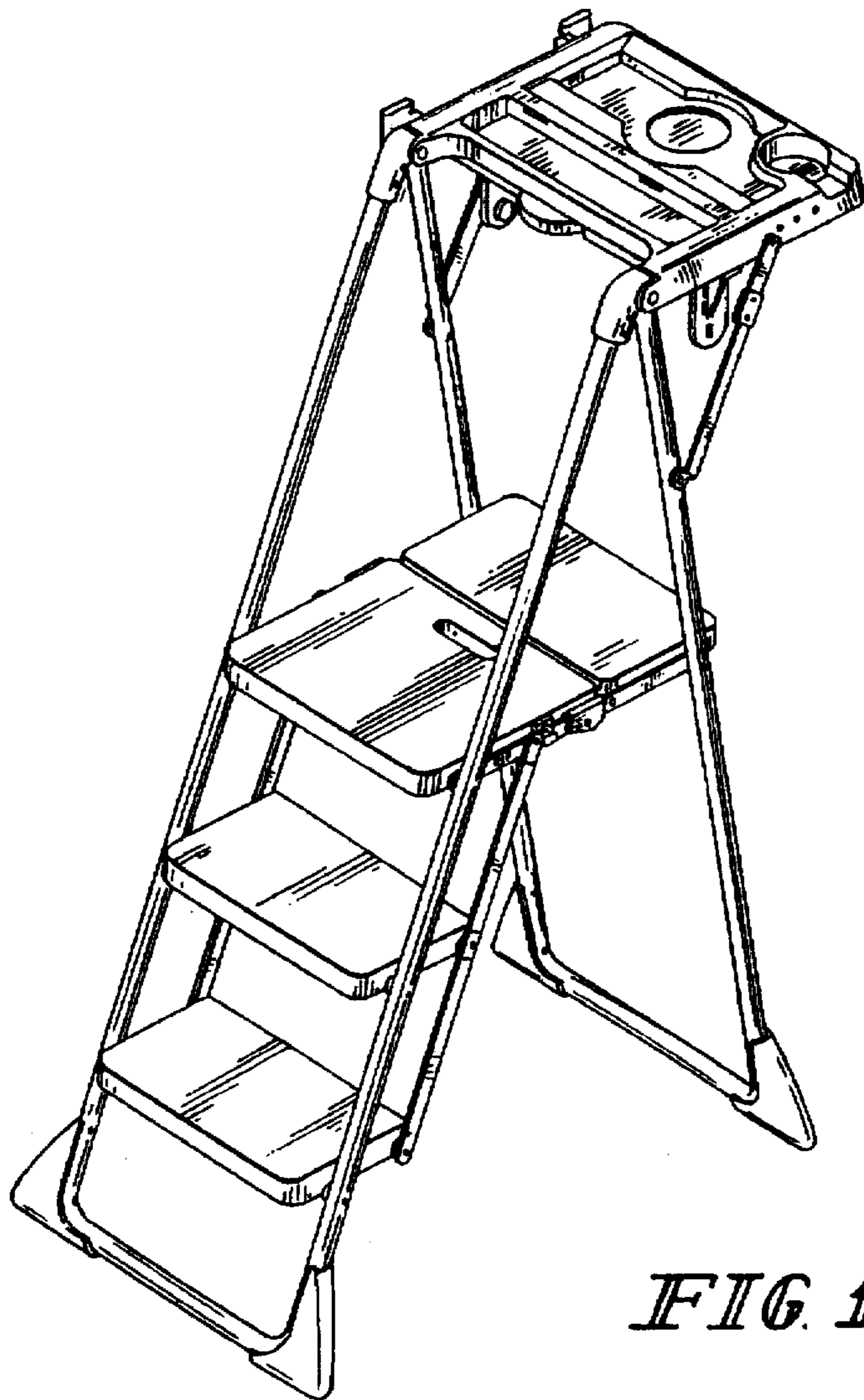


FIG. 1

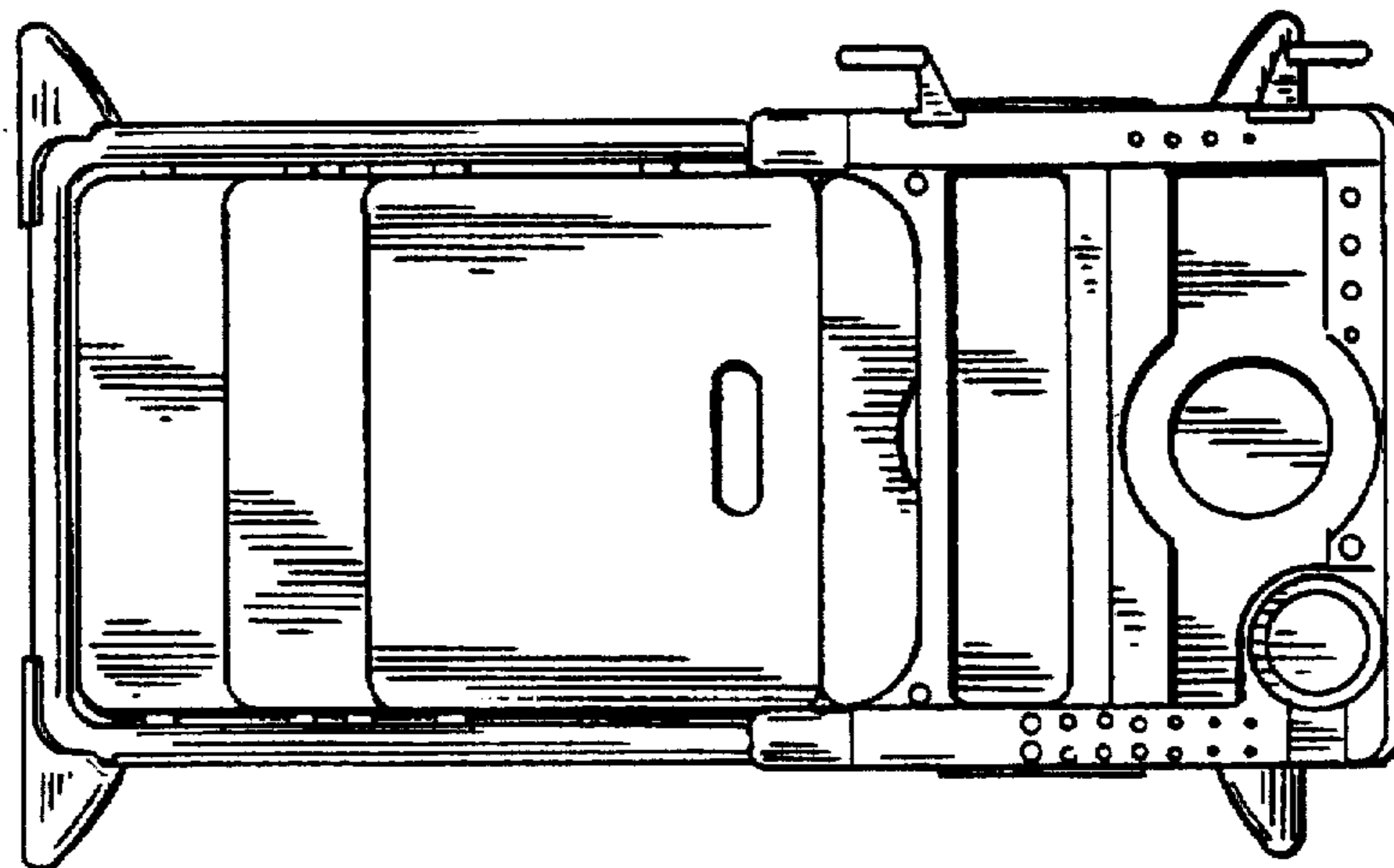


FIG. 6

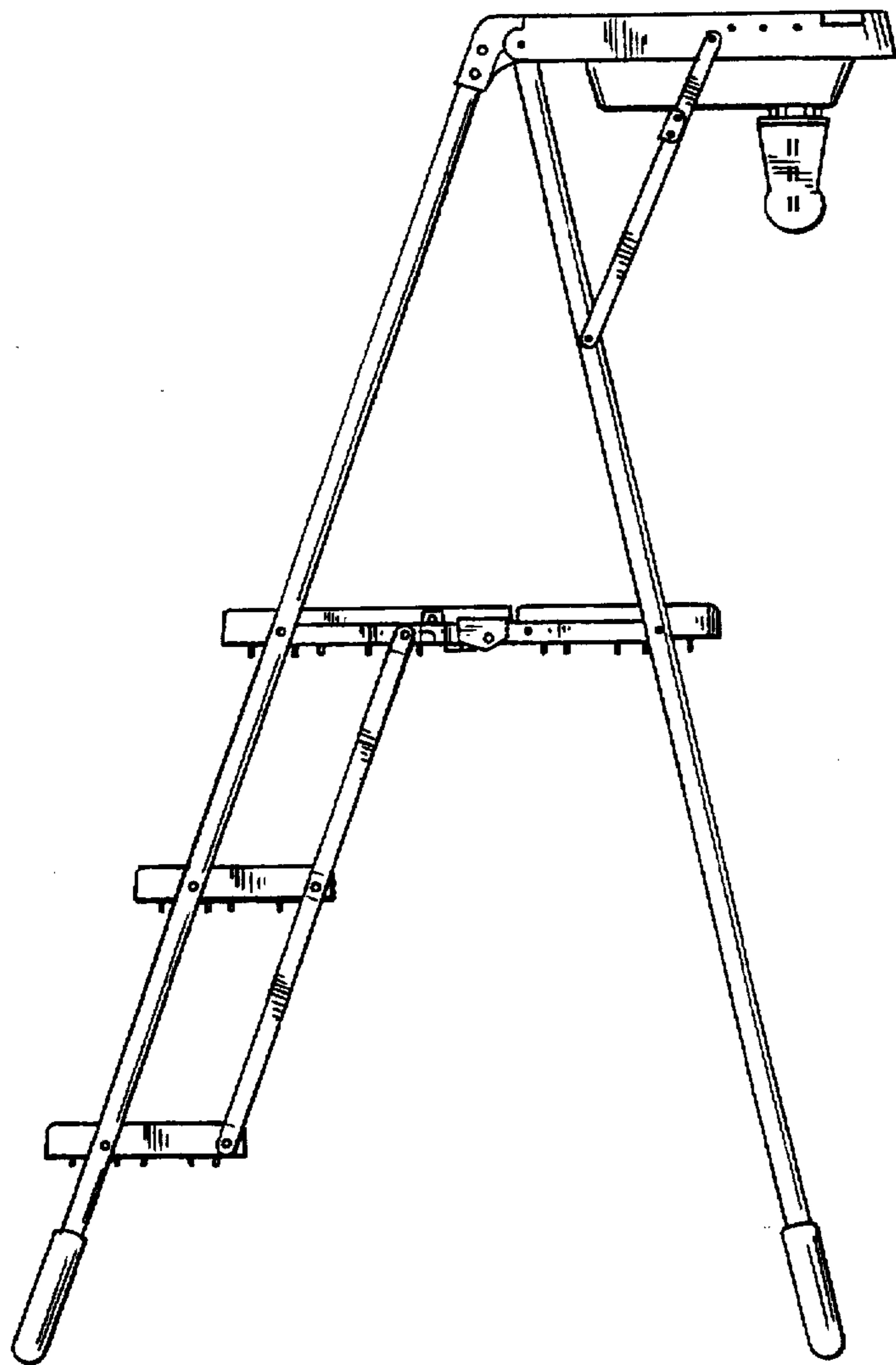


FIG 3

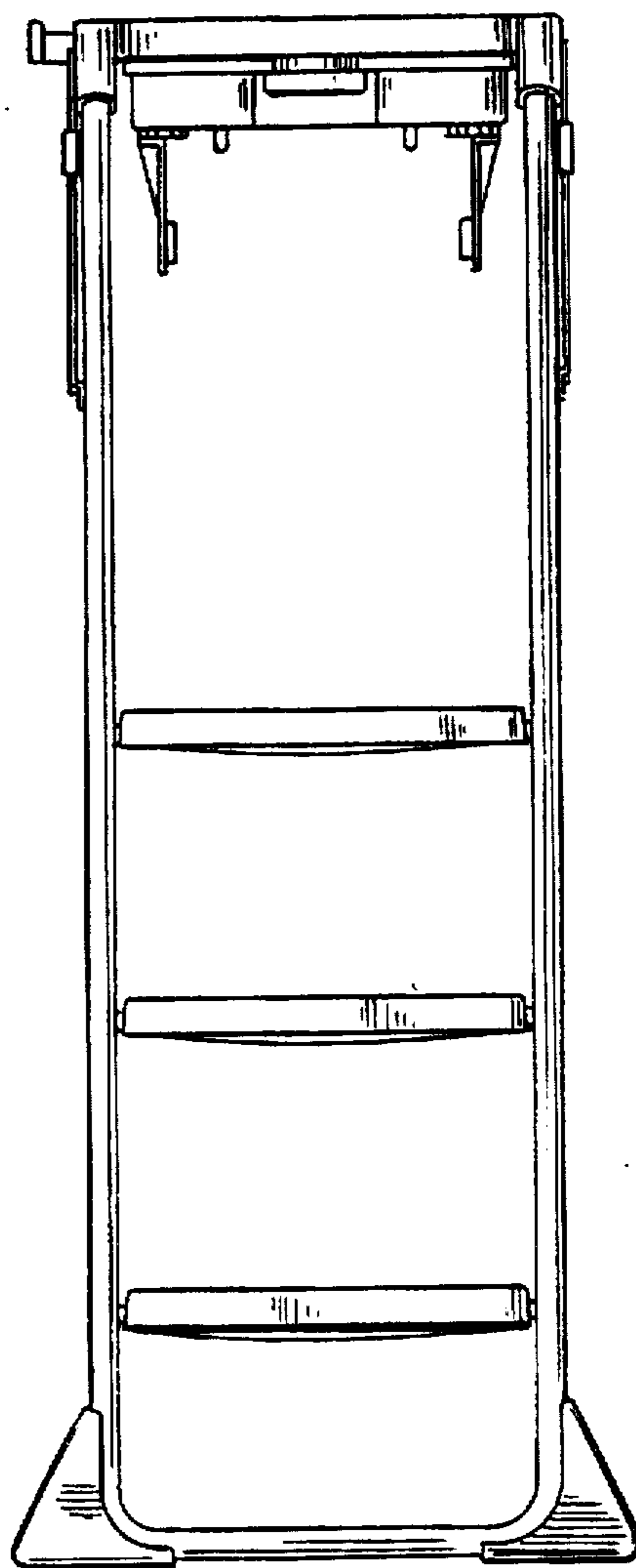


FIG 2

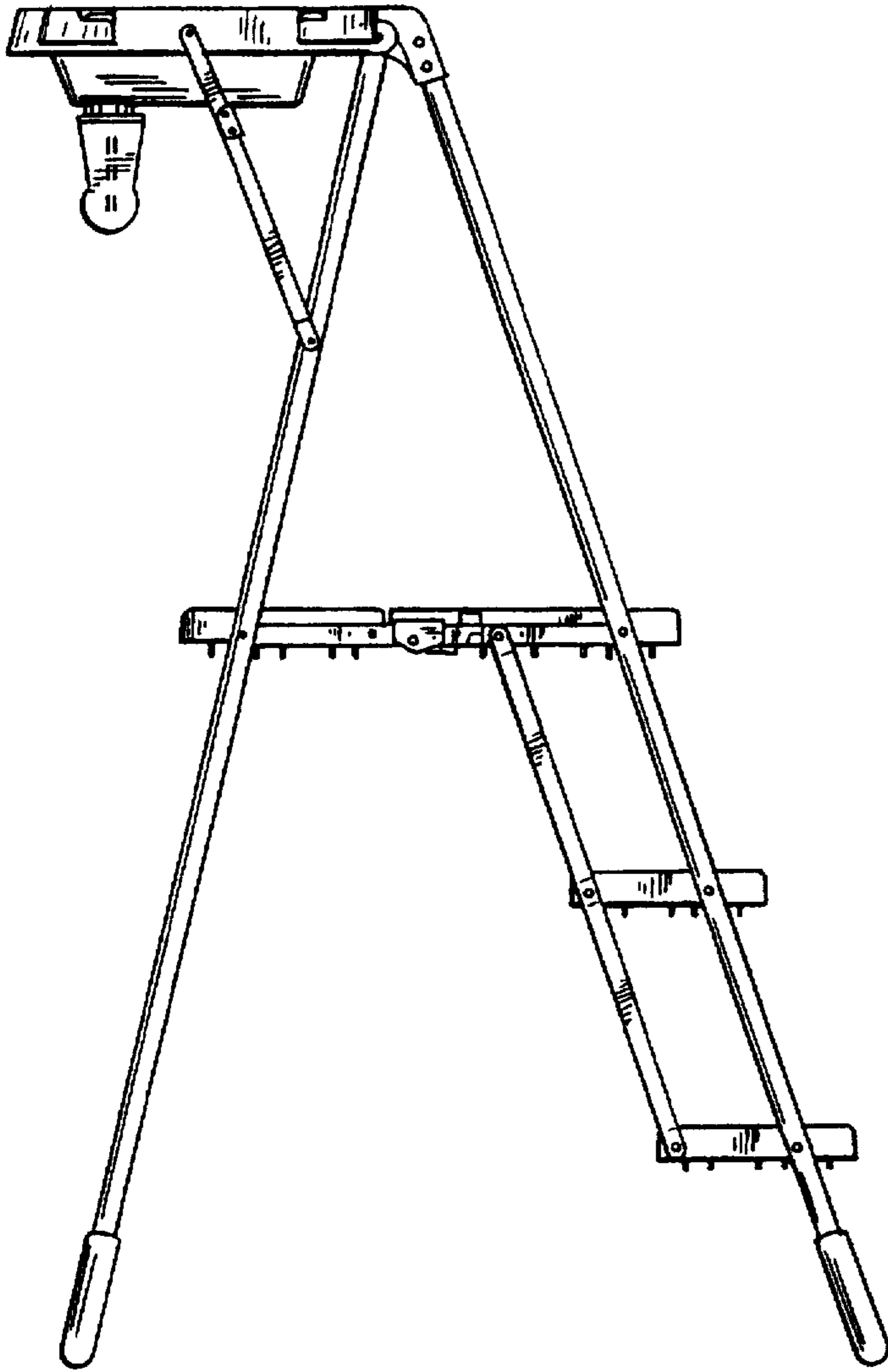


FIG. 4

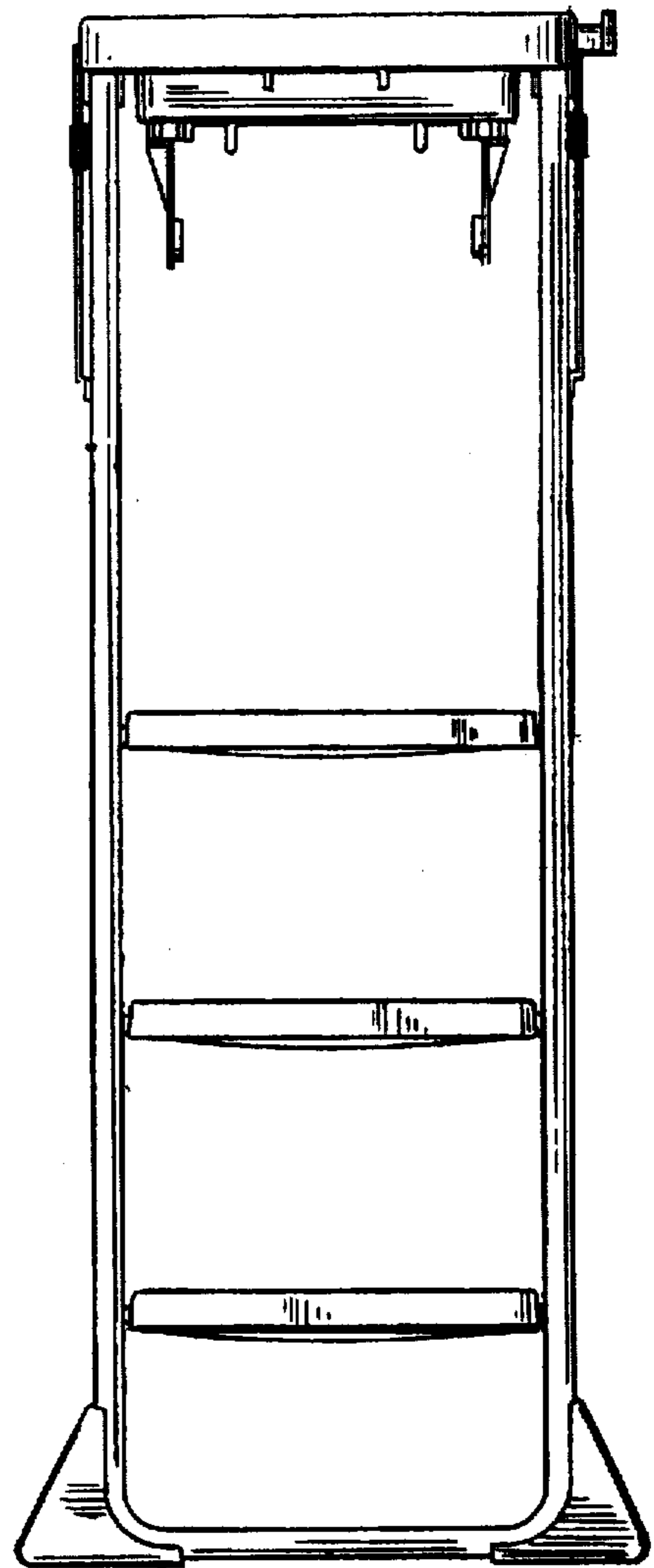


FIG. 5