



US00D388881S

**United States Patent** [19]  
**Tsai**

[11] **Patent Number:** **Des. 388,881**  
[45] **Date of Patent:** **\*\*Jan. 6, 1998**

[54] **STYLIZED BUILDING**

[75] **Inventor:** **David Tsai**, Monterey Park, Calif.

[73] **Assignee:** **Superco International, Inc.**, Monterey Park, Calif.

[\*\*] **Term:** **14 Years**

[21] **Appl. No.:** **53,236**

[22] **Filed:** **Apr. 18, 1996**

[51] **LOC (6) Cl.** ..... **25-03**

[52] **U.S. Cl.** ..... **D25/33**

[58] **Field of Search** ..... **D25/1, 17, 22, D25/23, 33; 52/79.1**

[56] **References Cited**

**U.S. PATENT DOCUMENTS**

D. 334,066 3/1993 McGrath ..... D25/1

D. 360,951 8/1995 Hawkins et al. .... D25/33

*Primary Examiner*—Doris Clark  
*Attorney, Agent, or Firm*—Frank Frisenda, Jr.

[57] **CLAIM**

The design for stylized building, as shown and described.

**DESCRIPTION**

FIG. 1 is a front view showing my new design;

FIG. 2 is a back view thereof;

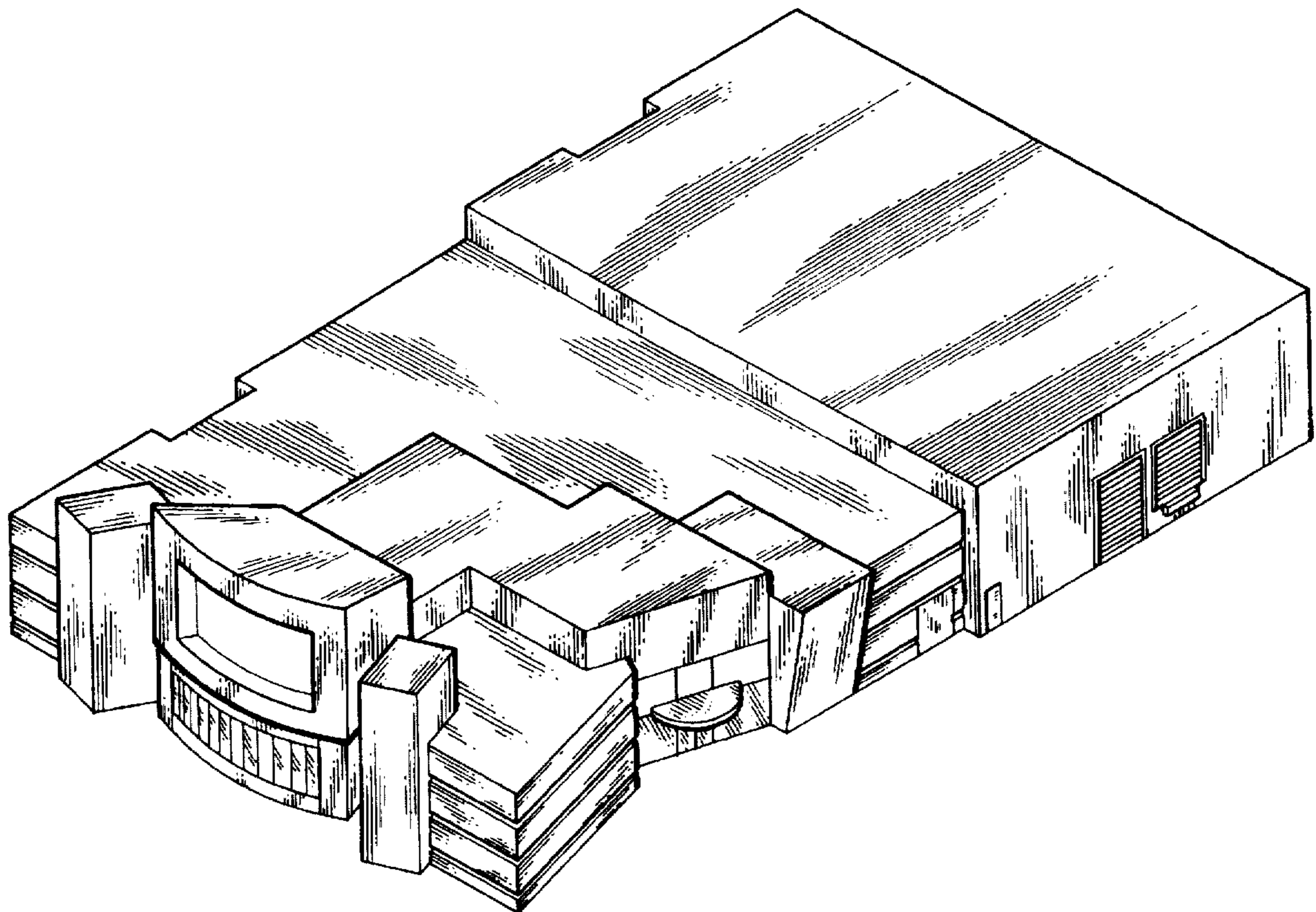
FIG. 3 is a right side view thereof;

FIG. 4 is a left side view thereof;

FIG. 5 is a bottom view thereof; and,

FIG. 6 is a top perspective view thereof.

**1 Claim, 3 Drawing Sheets**



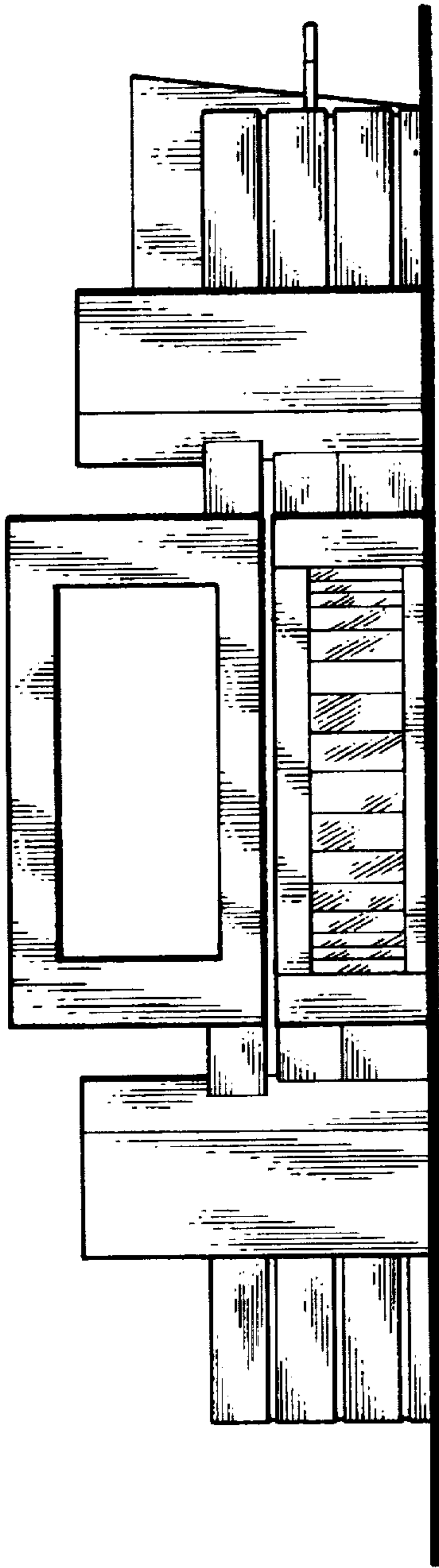


FIG. 1

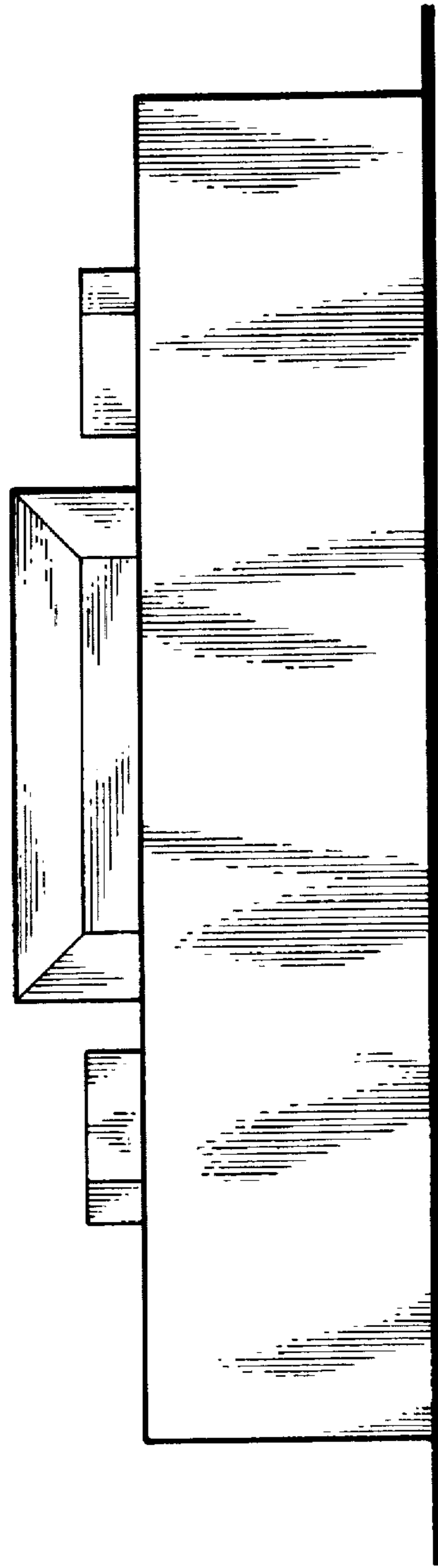


FIG. 2

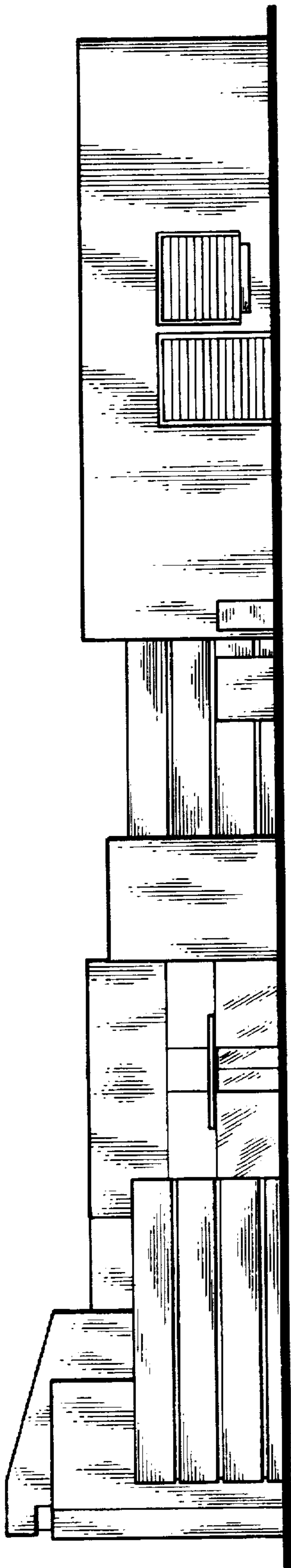


FIG. 3

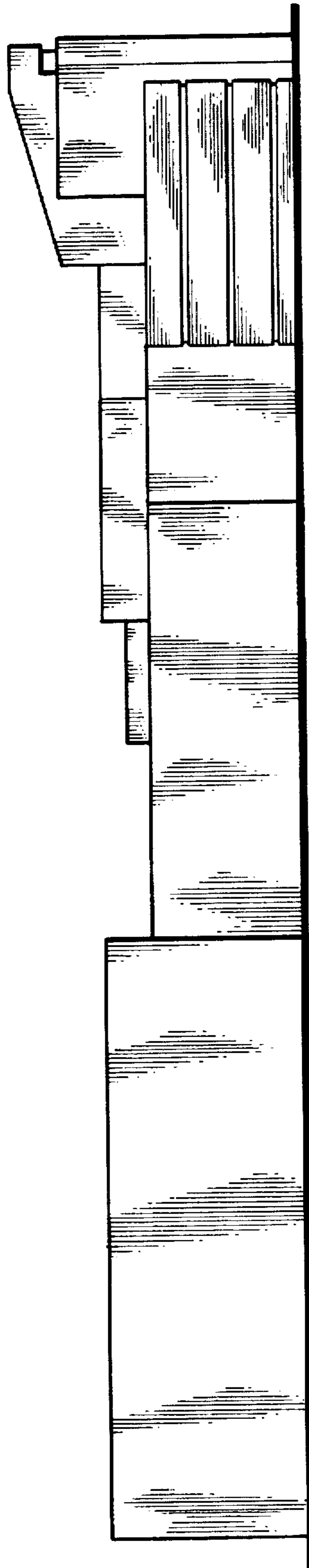


FIG. 4

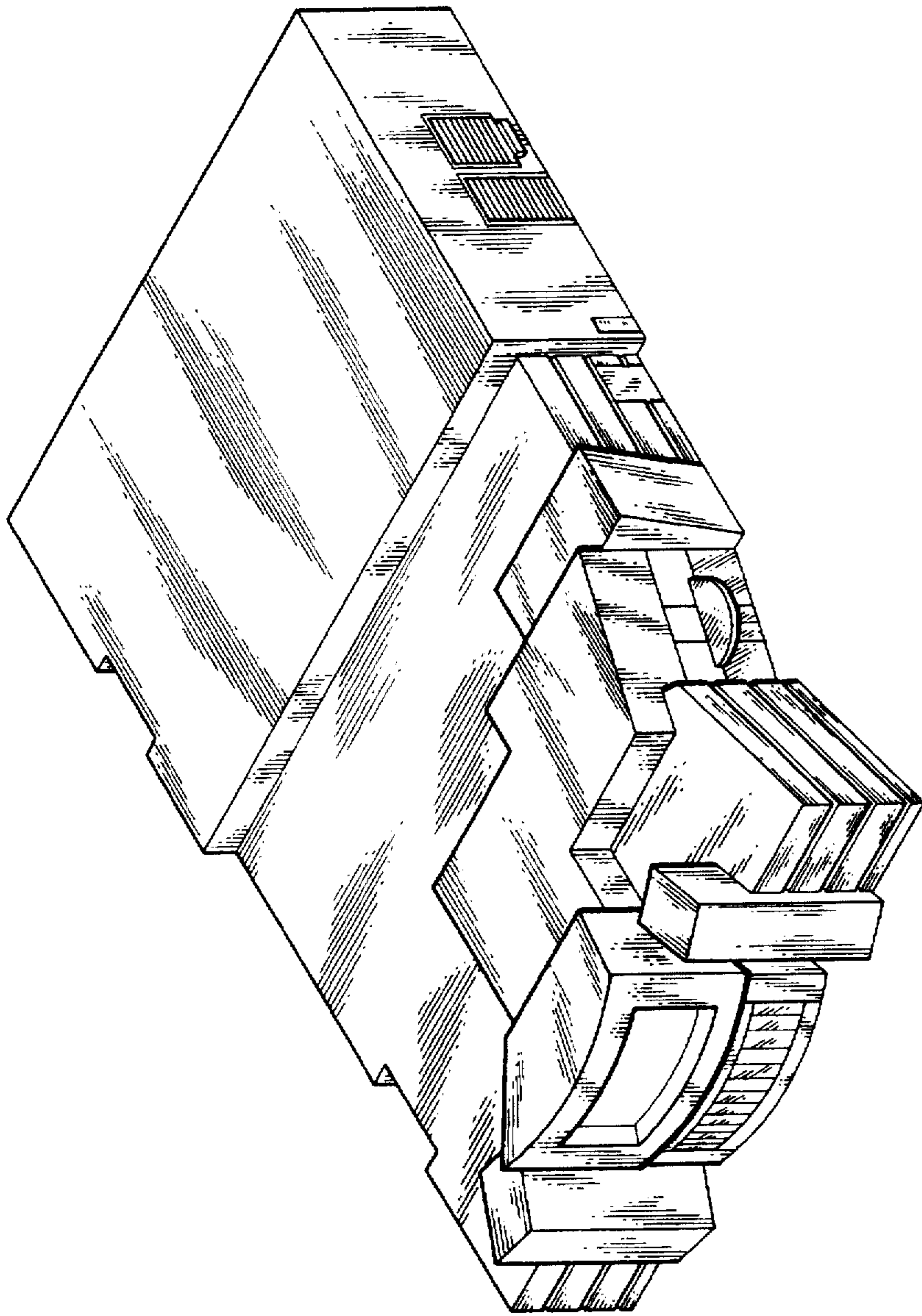


FIG. 6



FIG. 5