



US00D388880S

**United States Patent** [19]  
**DeFilippo**

[11] **Patent Number:** **Des. 388,880**  
[45] **Date of Patent:** **\*\*Jan. 6, 1998**

[54] **PORTABLE POOL**

1,738,017 12/1929 Phillips ..... 4/488  
4,552,658 11/1985 Adcock et al. .... 4/488

[76] **Inventor:** **Philip DeFilippo**, 128 Highview Ave.,  
Eastchester, N.Y. 10709

*Primary Examiner*—Doris Clark  
*Attorney, Agent, or Firm*—Harold H. Dutton, Jr.

[\*\*] **Term:** **14 Years**

[57] **CLAIM**

[21] **Appl. No.:** **44,489**

The ornamental design for a portable pool, as shown.

[22] **Filed:** **Sep. 25, 1995**

**DESCRIPTION**

[51] **LOC (6) Cl.** ..... **25-03**

FIG. 1 is a perspective view of a portable pool showing my new design;

[52] **U.S. Cl.** ..... **D25/2**

FIG. 2 is a front view thereof;

[58] **Field of Search** ..... D25/2; 52/169.7,  
52/261, 245; D21/252; 4/487, 488, 506,  
507, 513; D23/273, 277

FIG. 3 is a rear view thereof;

FIG. 4 is a right side view thereof;

FIG. 5 is a left side view thereof;

FIG. 6 is a top view thereof; and,

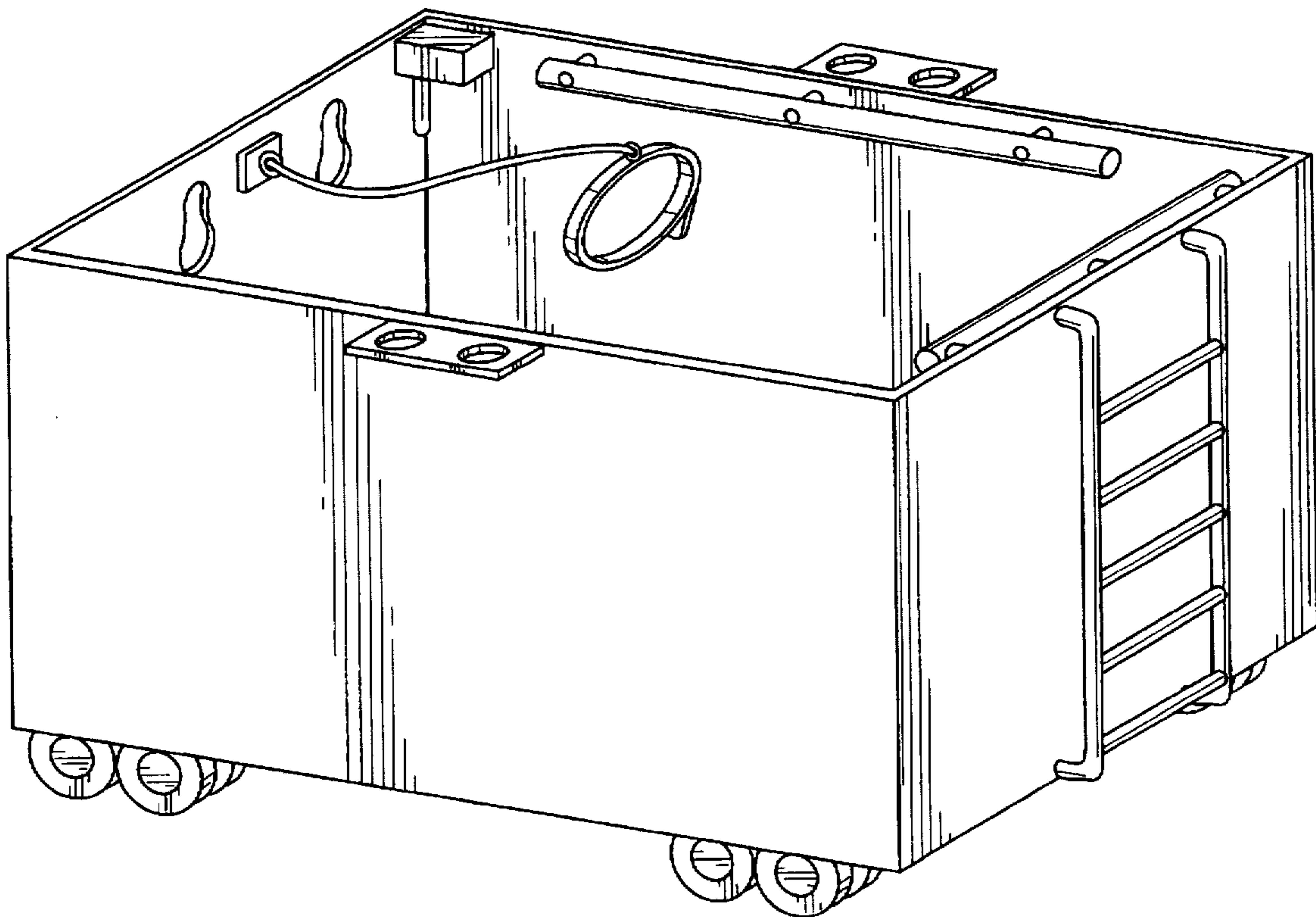
FIG. 7 is a bottom view thereof.

[56] **References Cited**

**U.S. PATENT DOCUMENTS**

D. 201,793 8/1965 Rains ..... D25/2

**1 Claim, 4 Drawing Sheets**



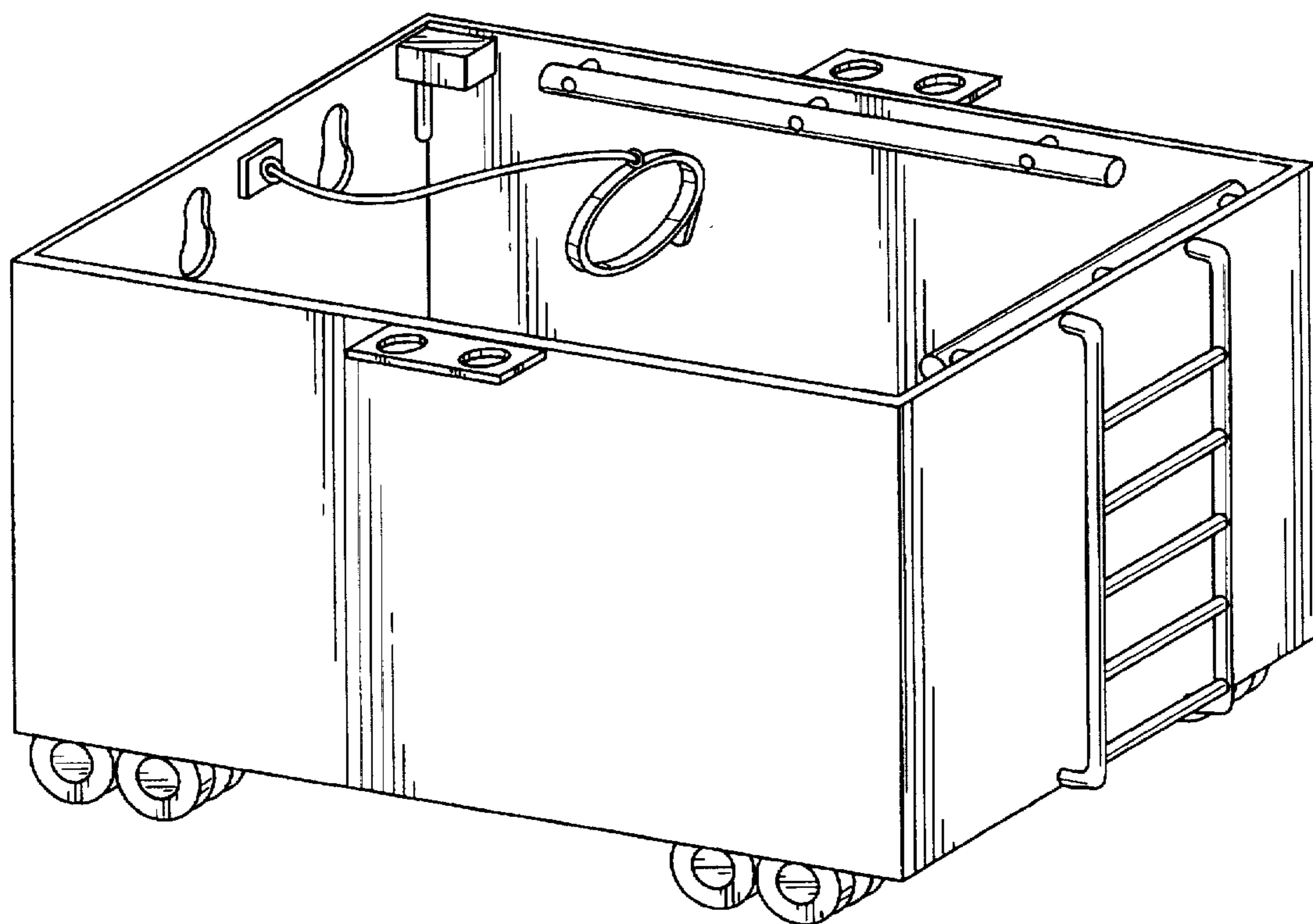


FIG. 1

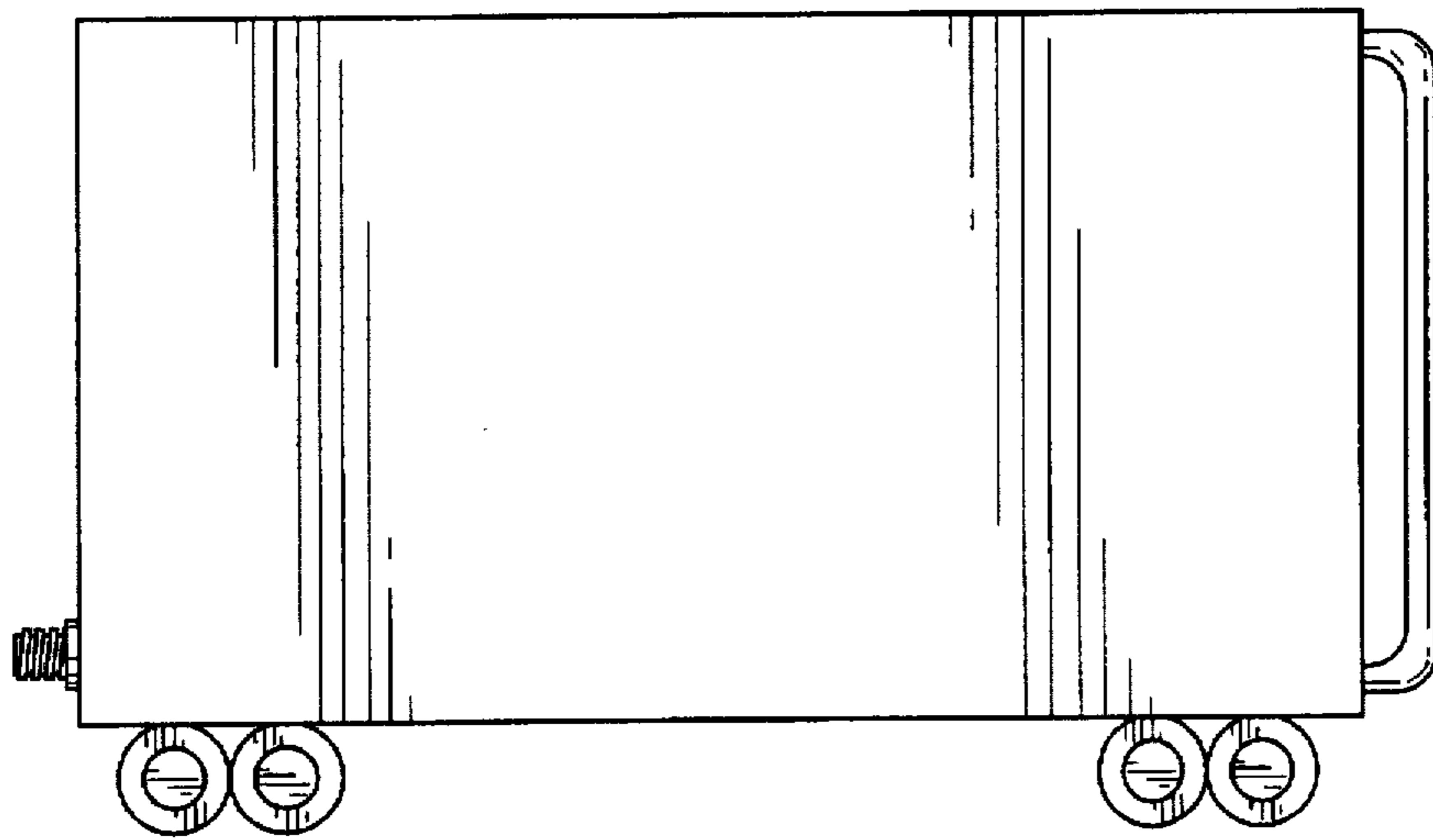
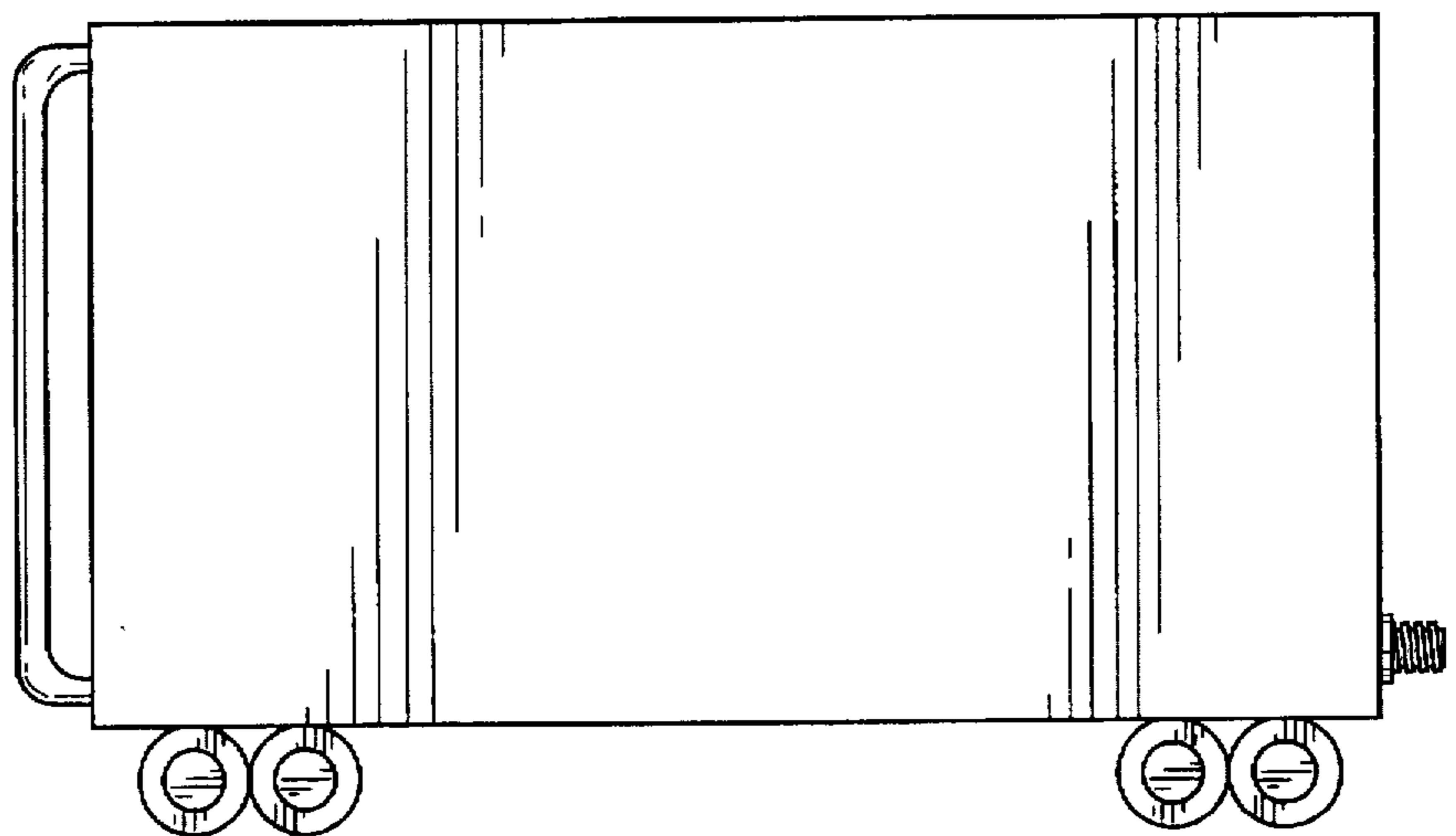


FIG. 2

FIG. 3



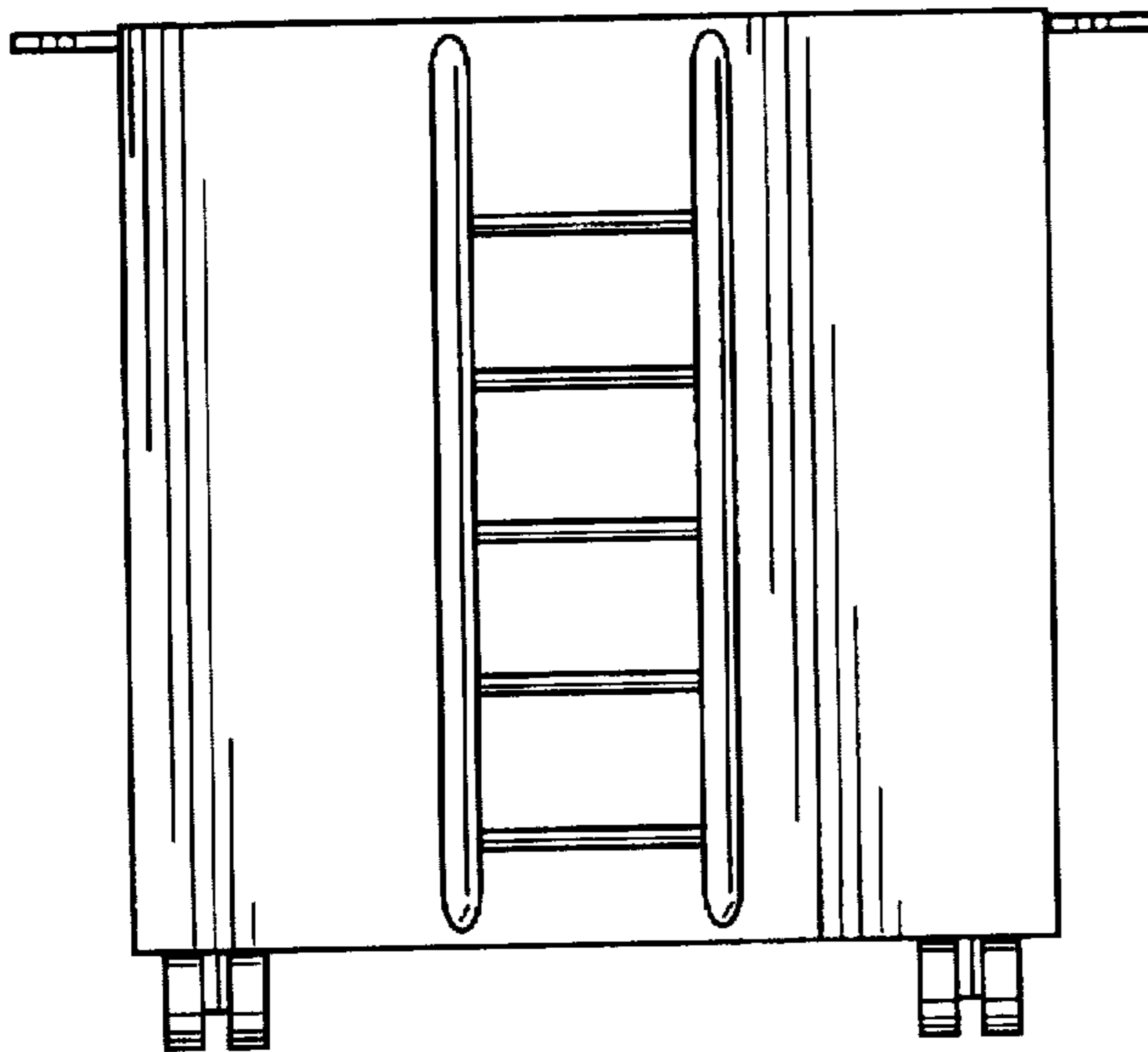


FIG. 4

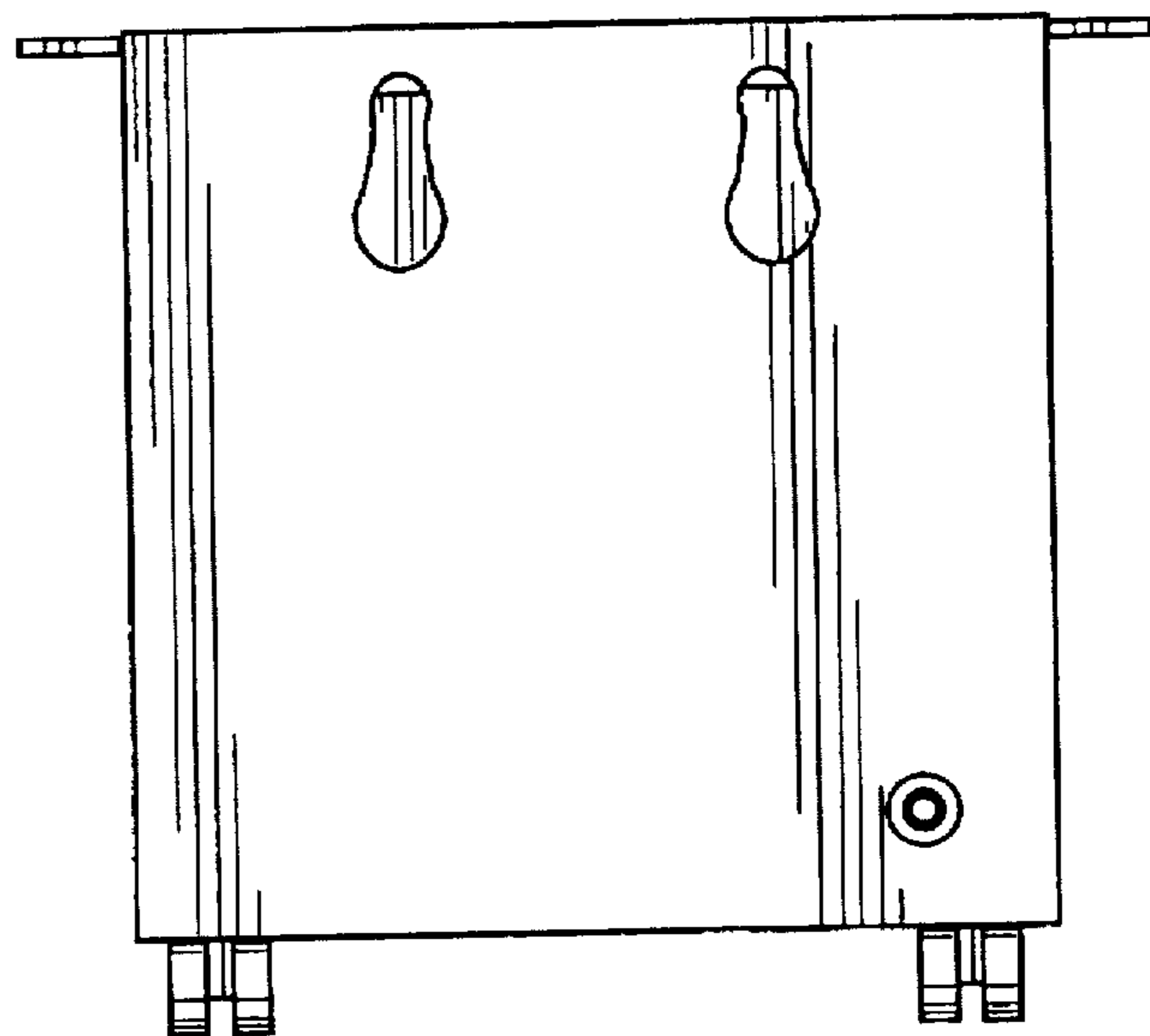


FIG. 5

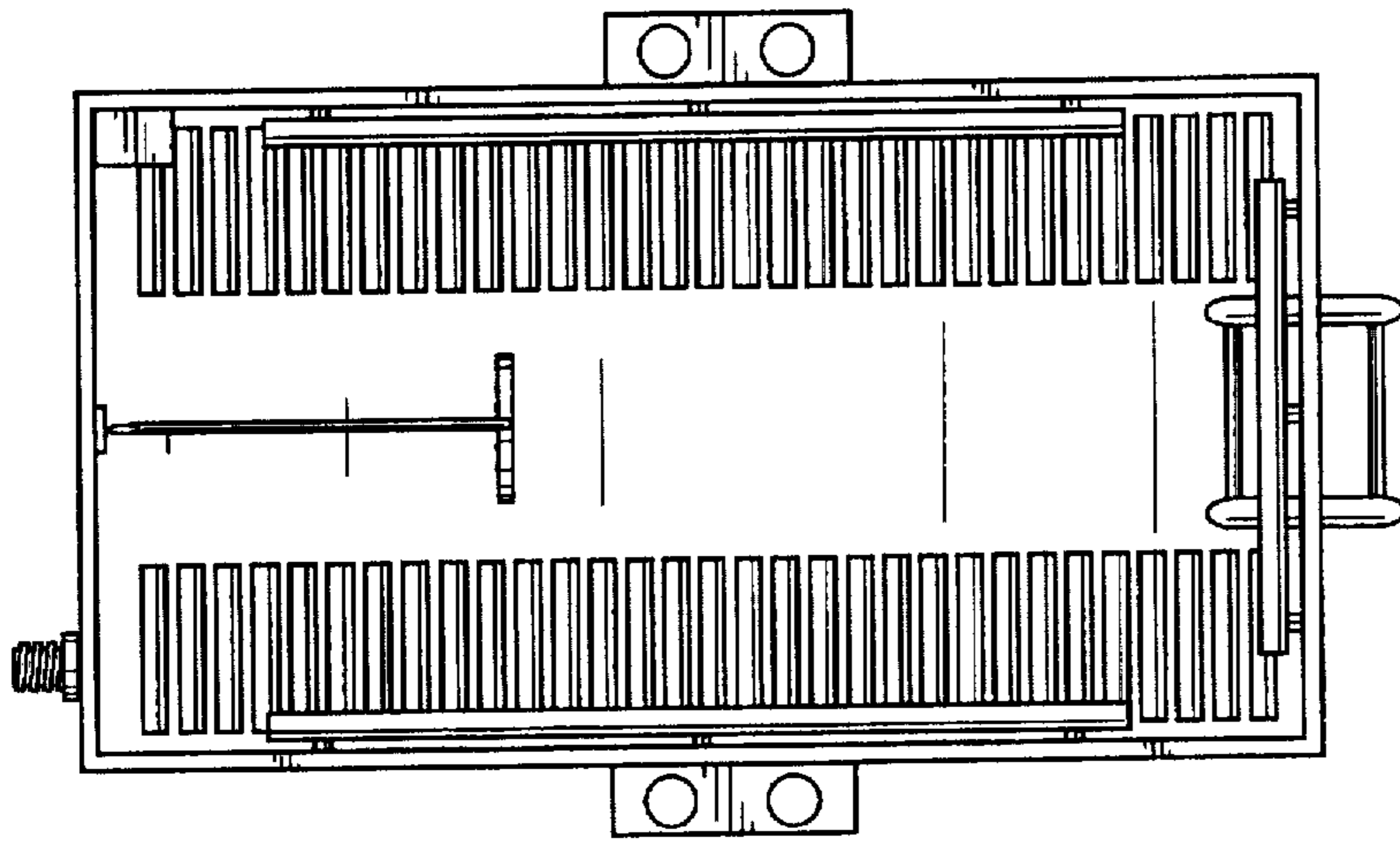


FIG. 6

FIG. 7

