



US00D388879S

United States Patent [19] Chang

[11] Patent Number: **Des. 388,879**
[45] Date of Patent: ****Jan. 6, 1998**

[54] **MESSAGE DEVICE**

D. 367,931 3/1996 Shimizu D24/212
2,271,382 1/1942 Worthington 601/61

[76] Inventor: **Li-hsia Chang**, No. 16-1, Lane 742,
Sanfeng Rd., Fengyuan City, Taichung
Hsien, Taiwan

Primary Examiner—Stella Reid
Attorney, Agent, or Firm—Kolisch, Hartwell, Dickinson,
McCormack & Heuser

[**] Term: **14 Years**

[57] **CLAIM**

[21] Appl. No.: **66,242**

The ornamental design for a massage device, as shown and described.

[22] Filed: **Feb. 4, 1997**

DESCRIPTION

[51] **LOC (6) Cl.** **24-04**

[52] **U.S. Cl.** **D24/212**

[58] **Field of Search** D24/215, 213,
D24/212; 601/28, 27, 29, 30, 61, 66

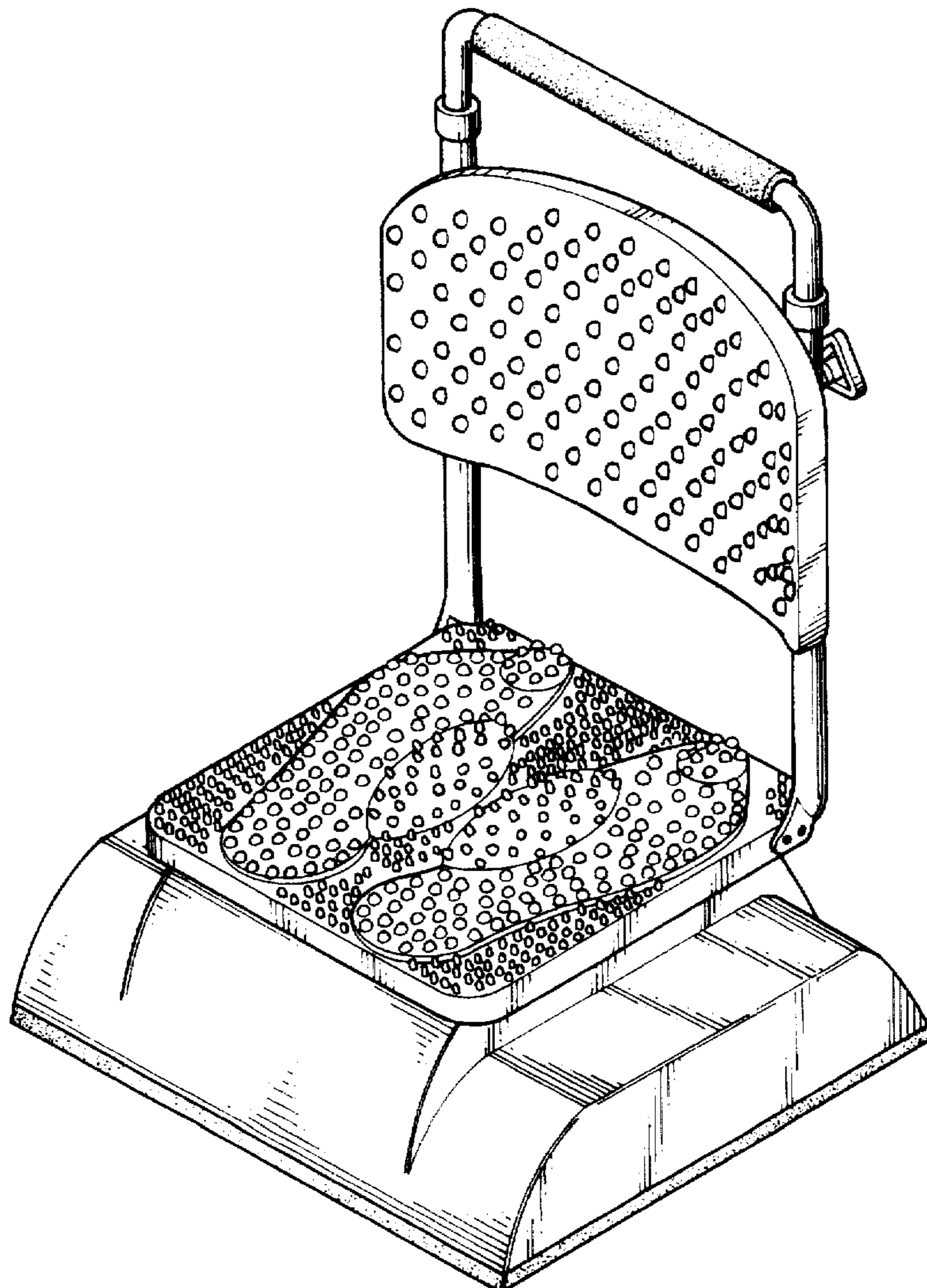
FIG. 1 is a front-right-top perspective view of a massage device, showing my new design;
FIG. 2 is a front elevational view thereof;
FIG. 3 is a rear elevational view thereof;
FIG. 4 is a right elevational view thereof the left side being a mirror image thereof;
FIG. 5 is a top plan view thereof; and,
FIG. 6 is a bottom plan view thereof.

[56] **References Cited**

U.S. PATENT DOCUMENTS

D. 115,793 7/1939 Meyer D24/213
D. 199,220 9/1964 McNair D24/212
D. 280,934 10/1985 MacGregor D24/212

1 Claim, 4 Drawing Sheets



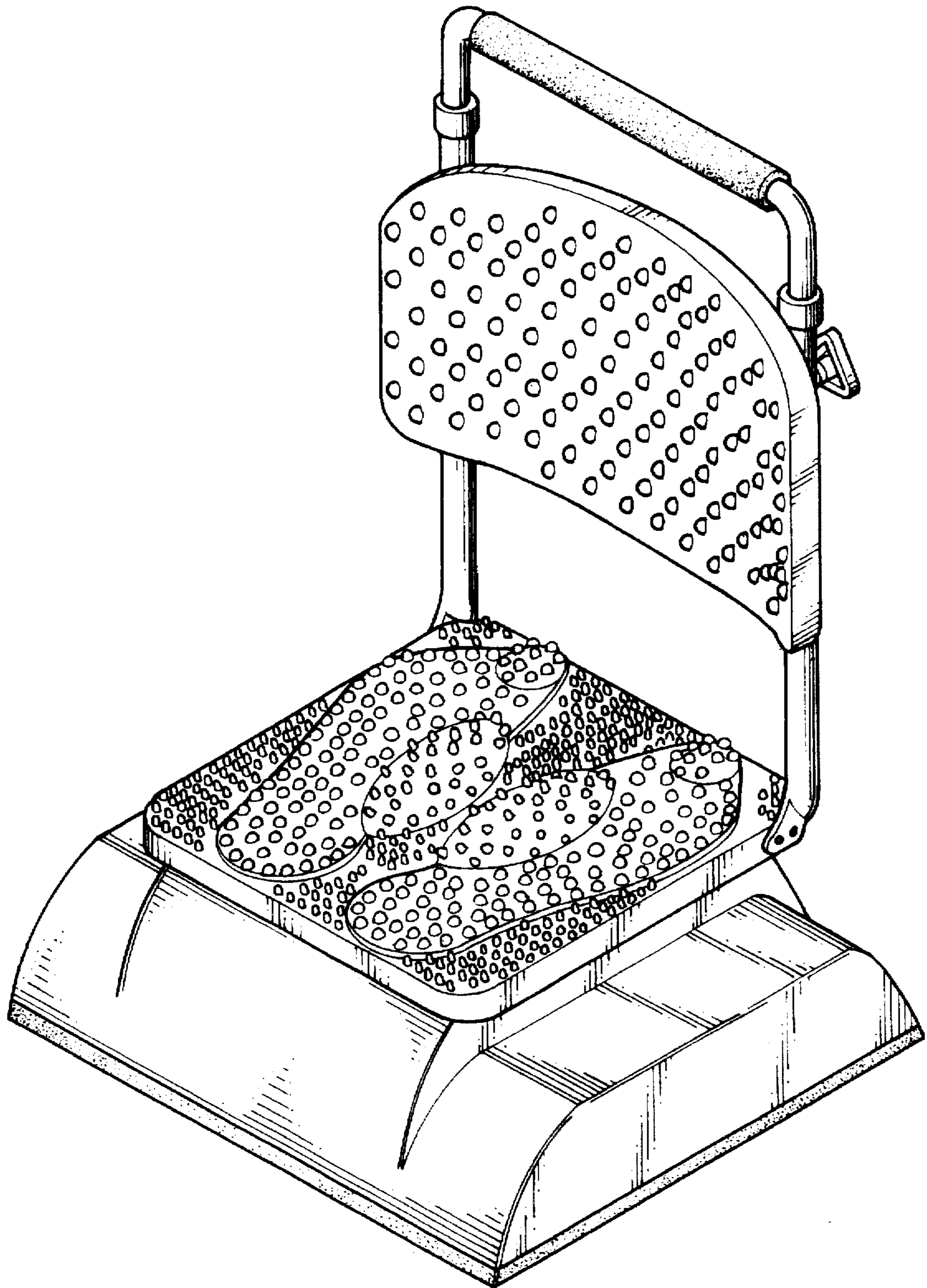


FIG. 1

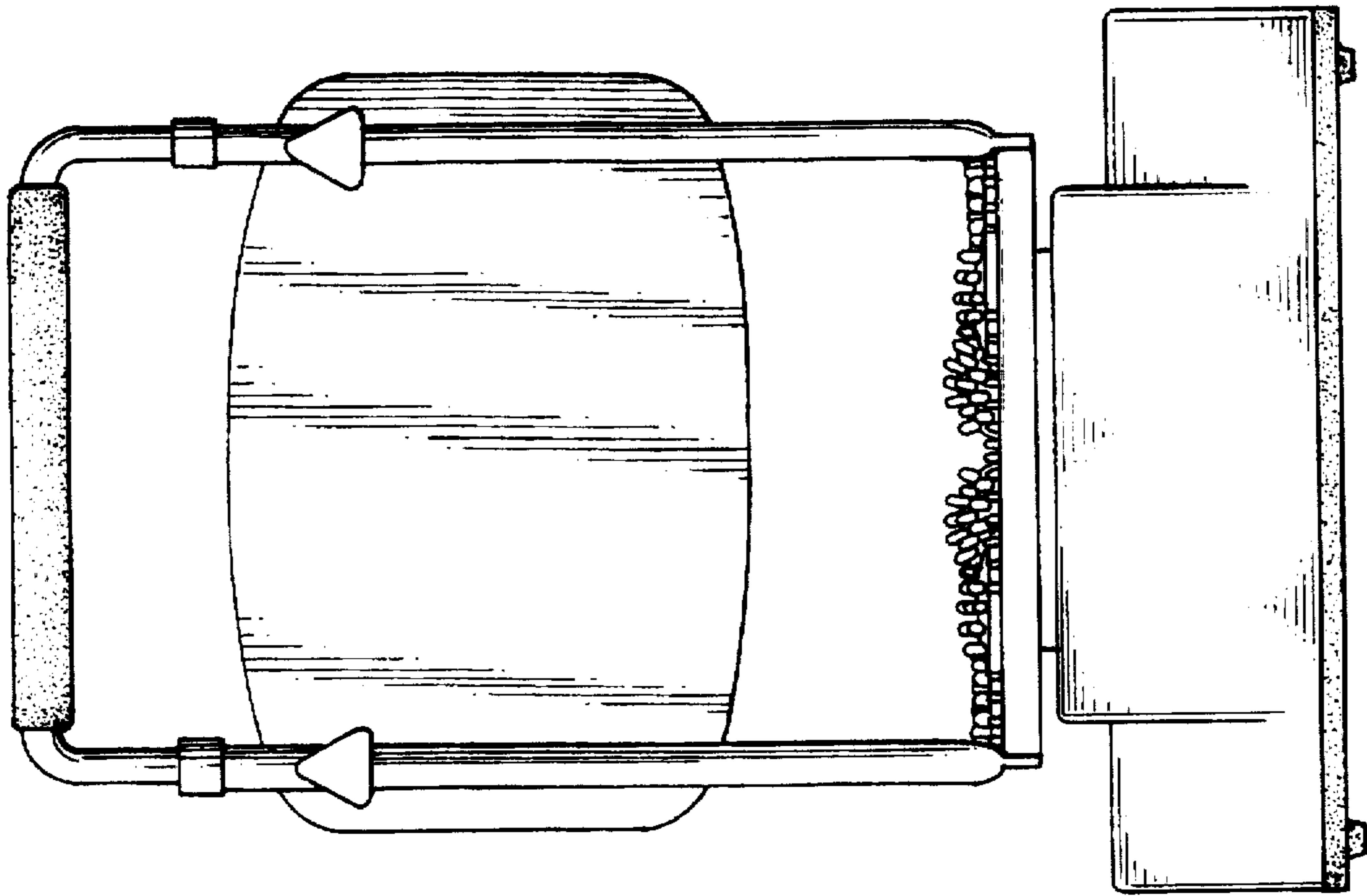


FIG. 3

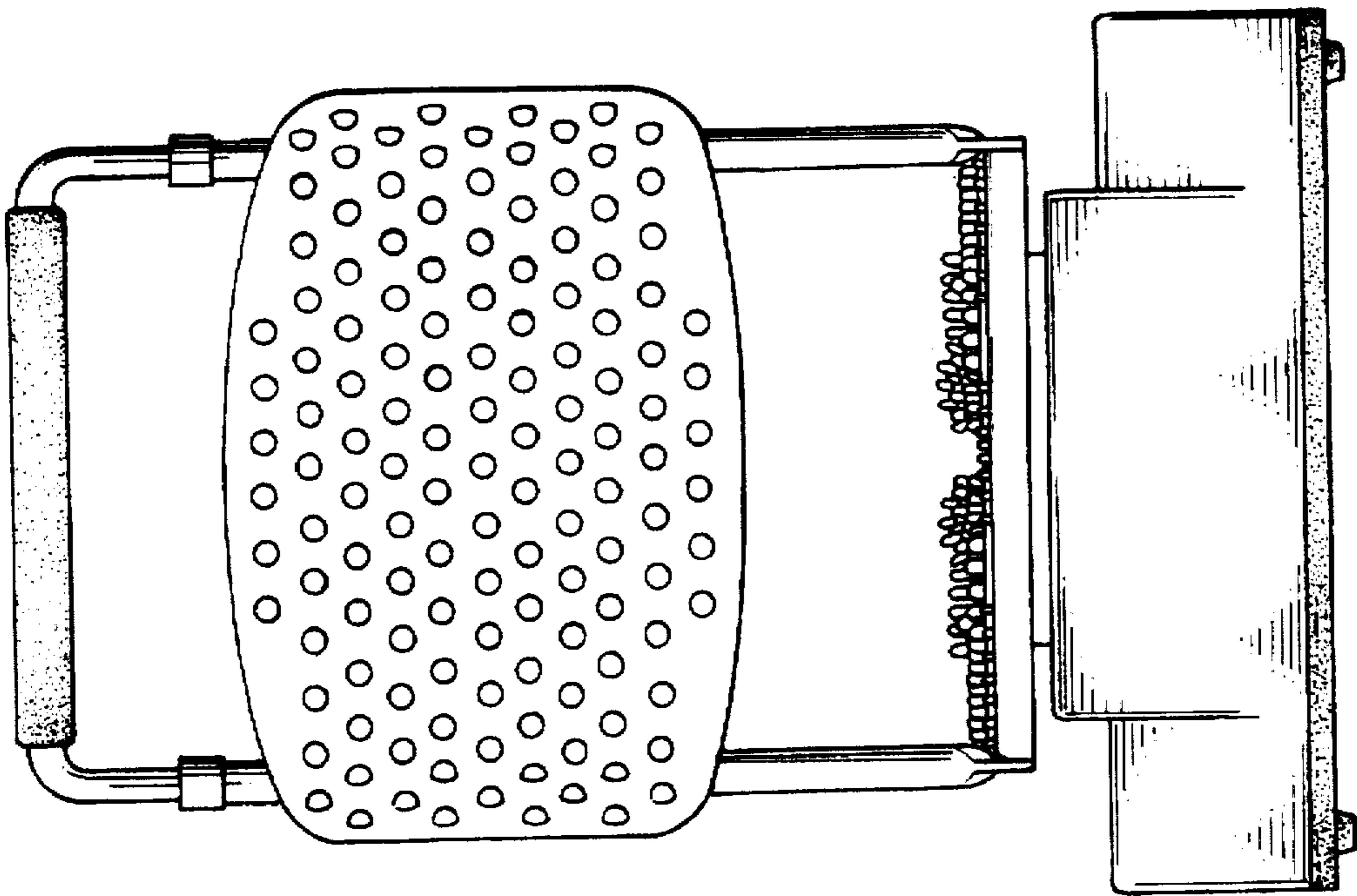


FIG. 2

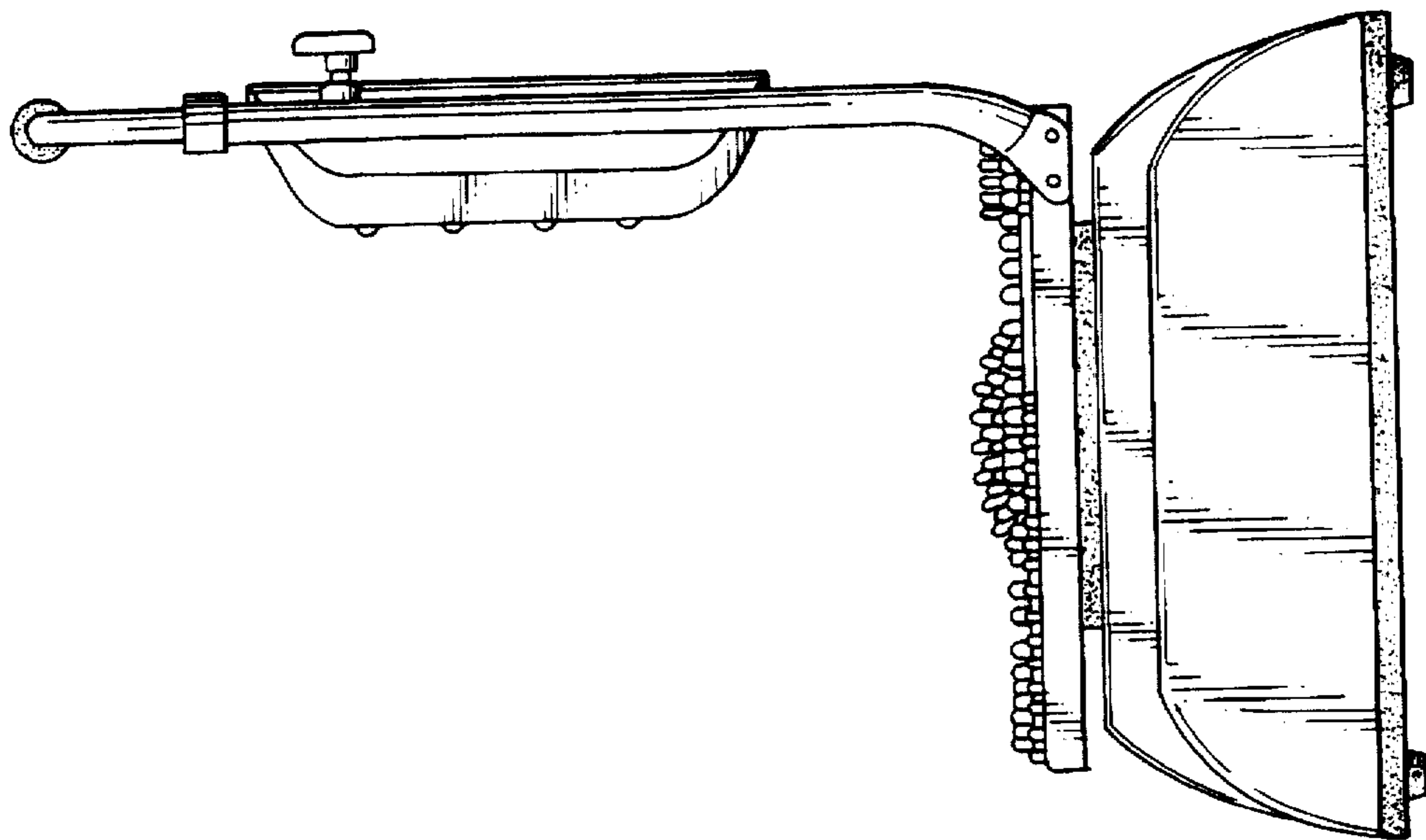


FIG. 4

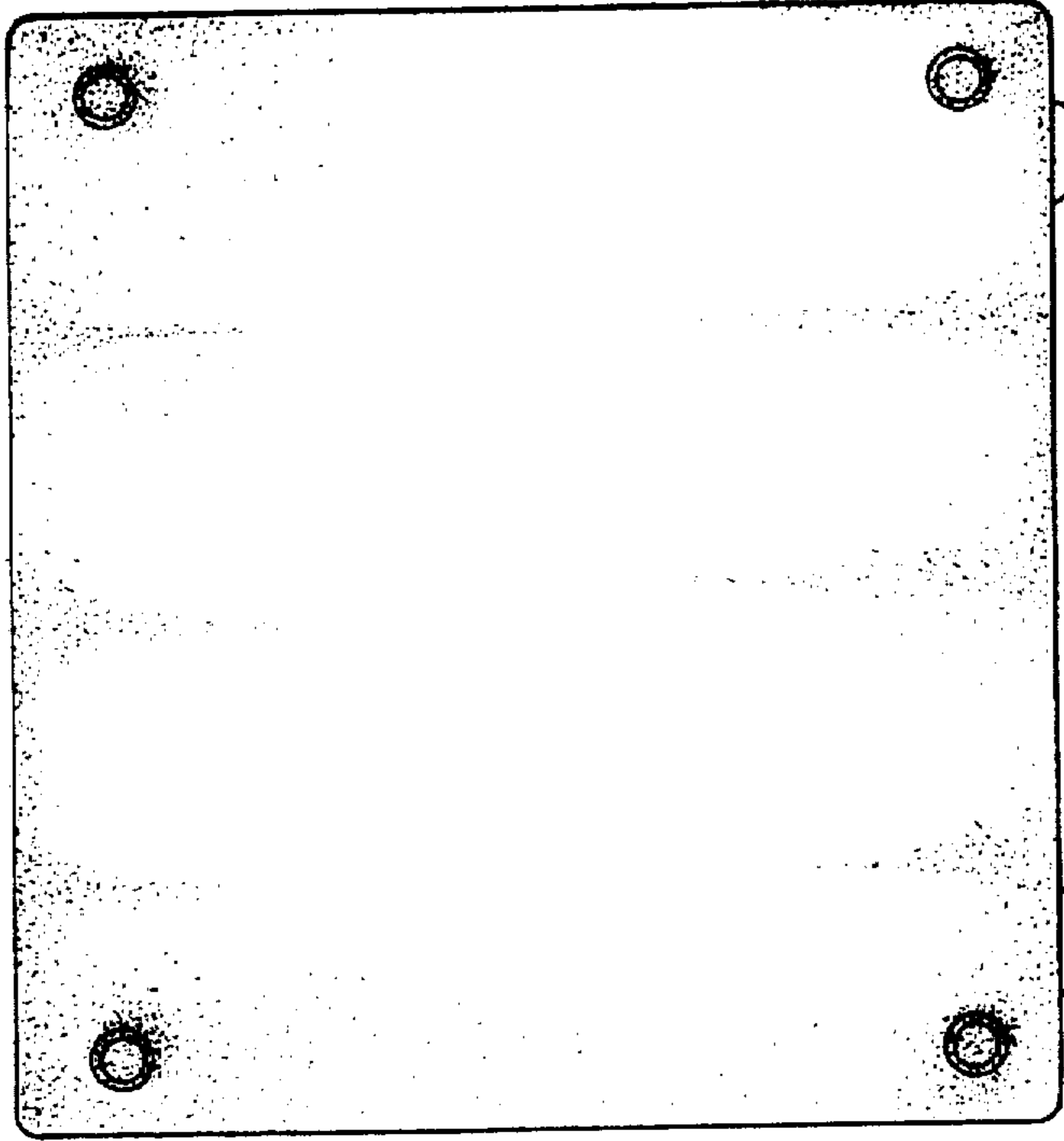


FIG. 6

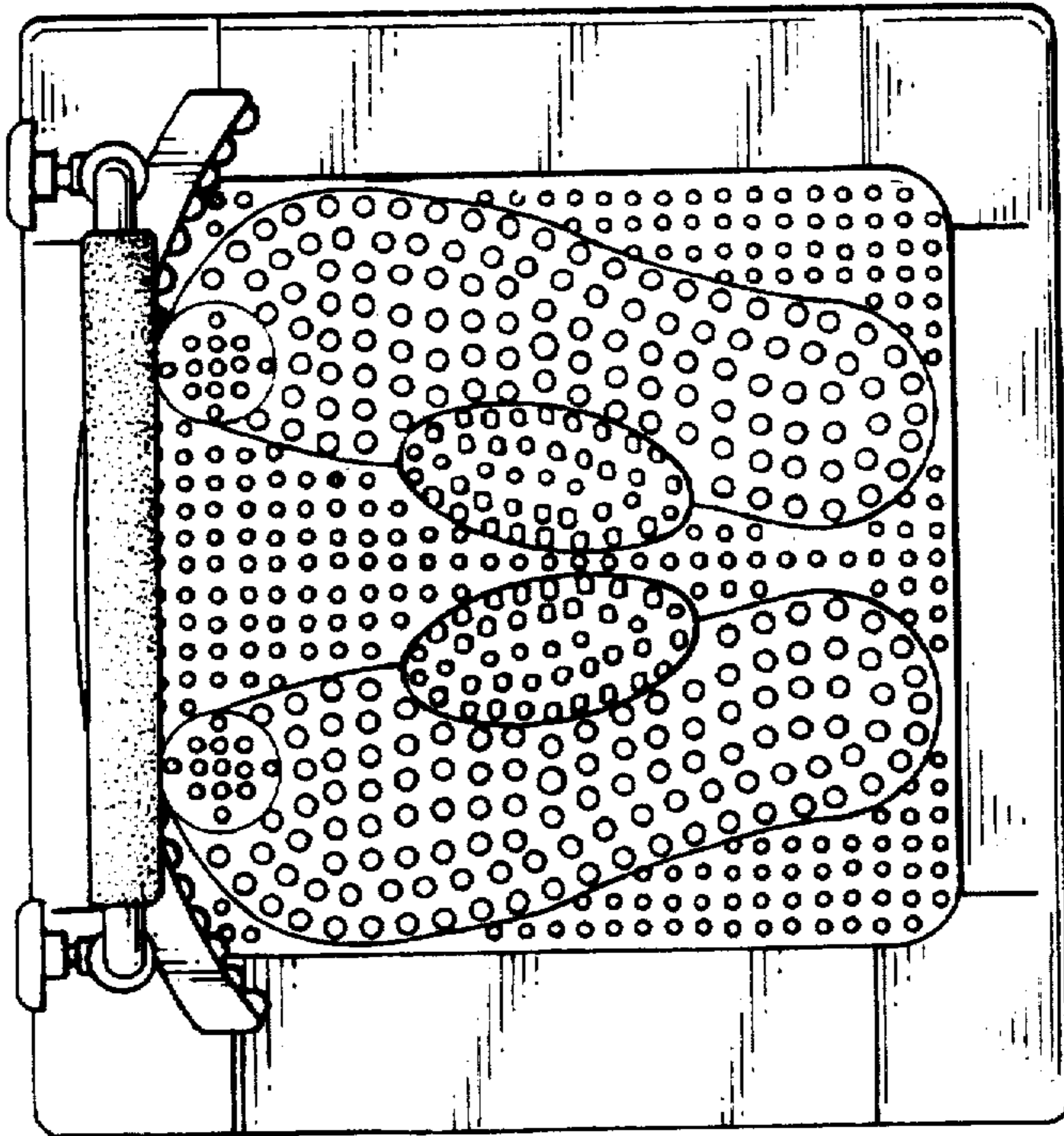


FIG. 5