



US00D388874S

# United States Patent [19]

Lewandowski et al.

[11] Patent Number: **Des. 388,874**

[45] Date of Patent: **\*\*Jan. 6, 1998**

[54] URINE COLLECTION CUP WITH VALVE

[75] Inventors: **Jan J. Lewandowski**, South Euclid;  
**Nick A. Deeter**, Fairview Park, both of Ohio

[73] Assignee: **ViAtro, Corp.**, Cleveland, Ohio

[\*\*] Term: **14 Years**

[21] Appl. No.: **64,186**

[22] Filed: **Dec. 23, 1996**

[51] LOC (6) Cl. .... **24-01**

[52] U.S. Cl. .... **D24/122**

[58] Field of Search ..... D24/122, 121,  
D24/224; 4/144.1, 144.2; 128/760, 766,  
771

[56] **References Cited**

**U.S. PATENT DOCUMENTS**

2,626,387 1/1953 Berry ..... D24/122 X

4,409,989	10/1983	Larribas .....	4/144.1
4,736,859	4/1988	Mayes et al. ....	4/144.1
4,805,632	2/1989	Pope .....	128/760
5,119,830	6/1992	Davis .....	128/771

*Primary Examiner*—Stella Reid

*Attorney, Agent, or Firm*—James A. Hudak

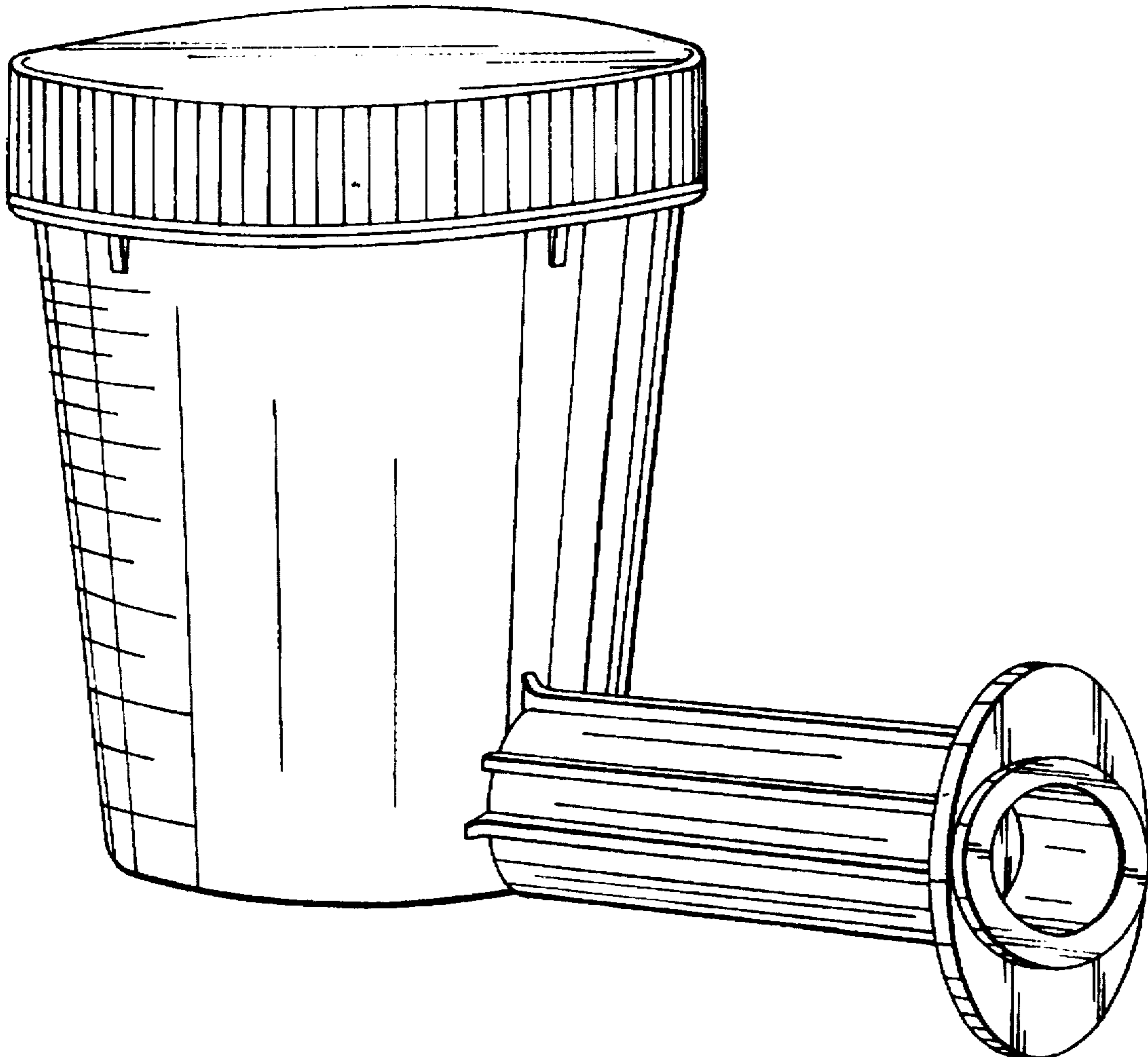
[57] **CLAIM**

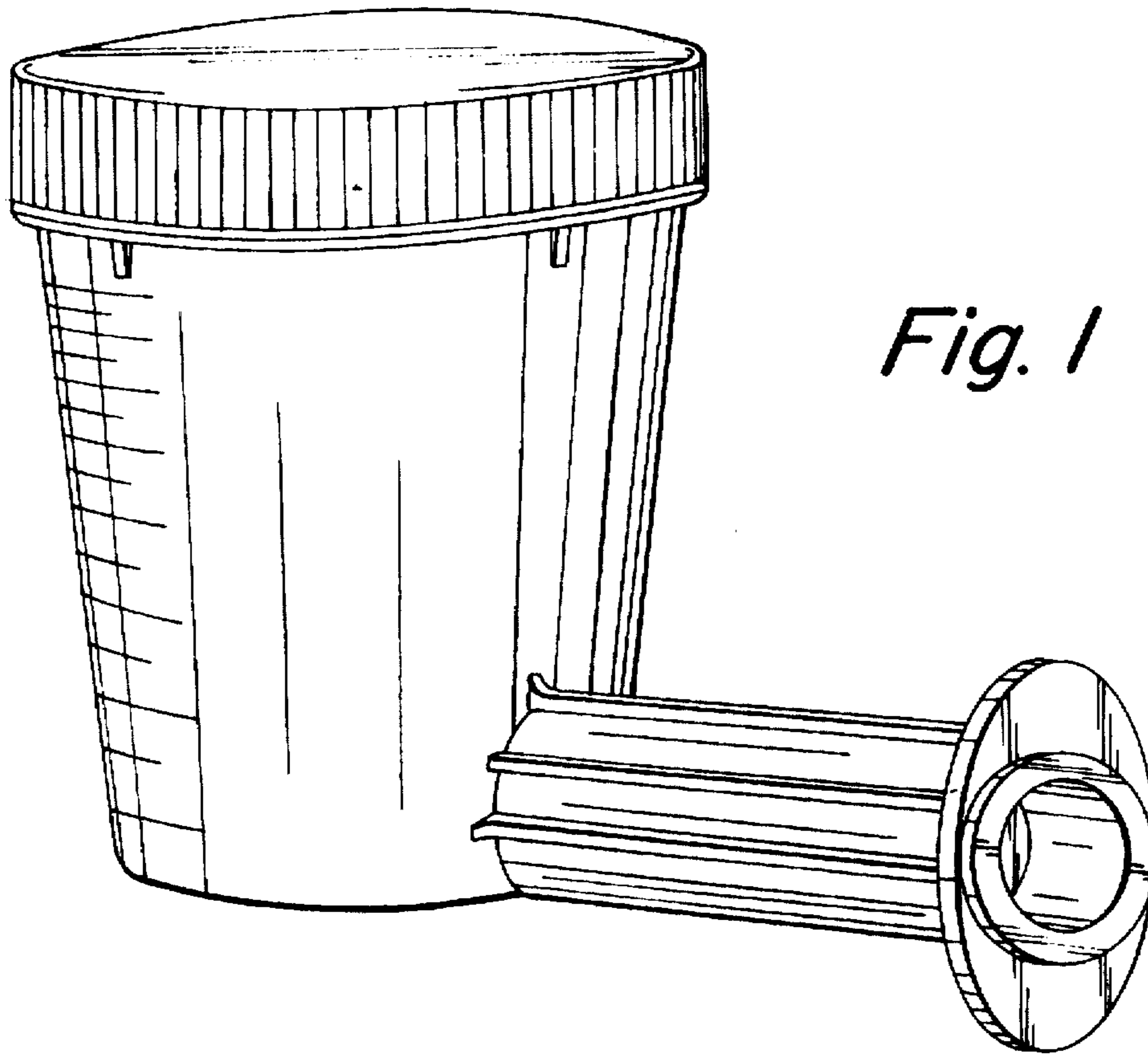
The ornamental design for a urine collection cup with valve, as shown and described.

**DESCRIPTION**

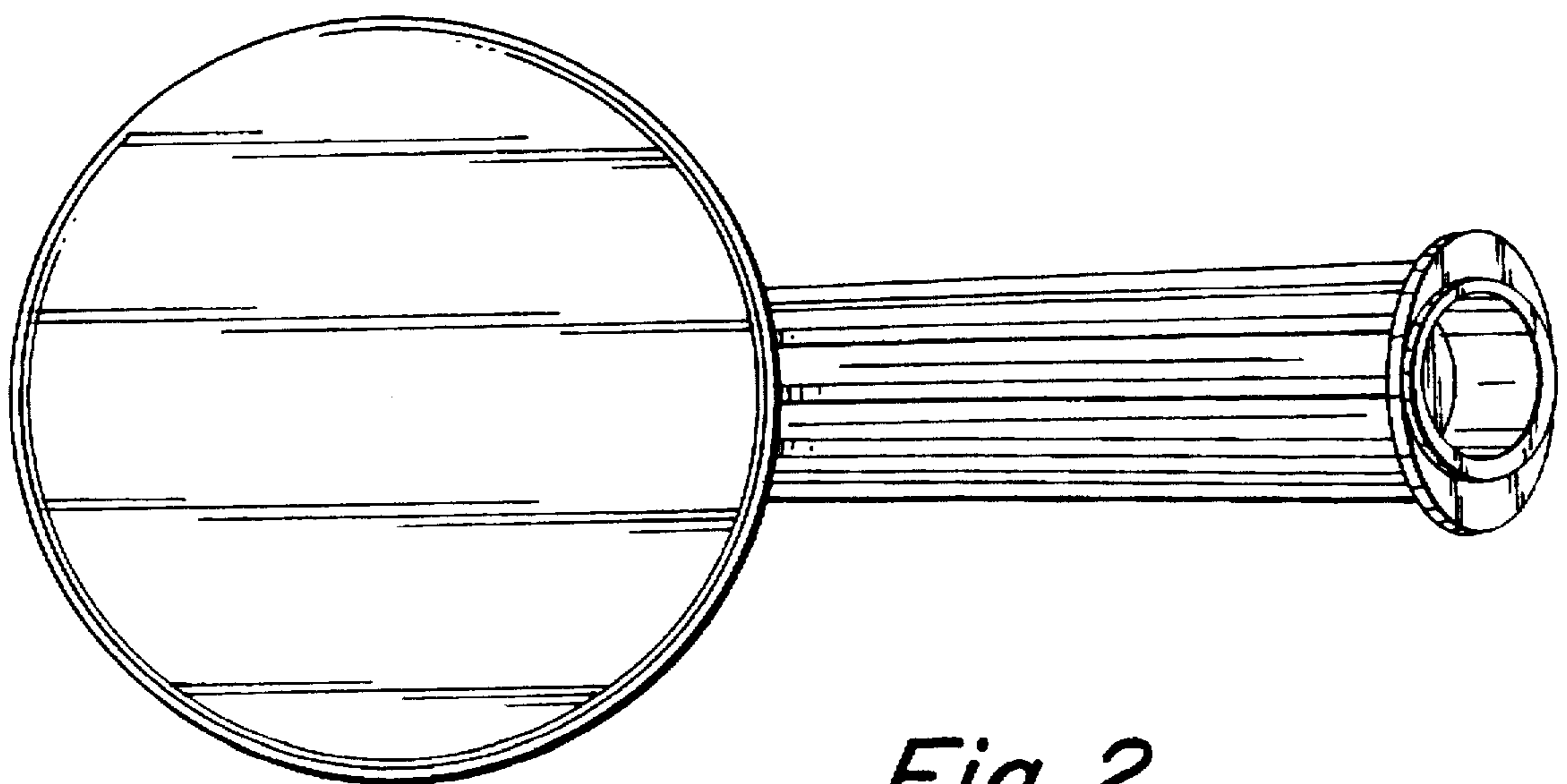
FIG. 1 is a perspective view of a urine collection cup with valve, showing our new design;  
FIG. 2 is a top plan view thereof;  
FIG. 3 is a front elevational view thereof;  
FIG. 4 is a rear elevational view thereof;  
FIG. 5 is a right end elevational view thereof;  
FIG. 6 is a left end elevational view thereof;  
FIG. 7 is a bottom plan view thereof; and,  
FIG. 8 is an exploded front elevational view thereof.

**1 Claim, 4 Drawing Sheets**

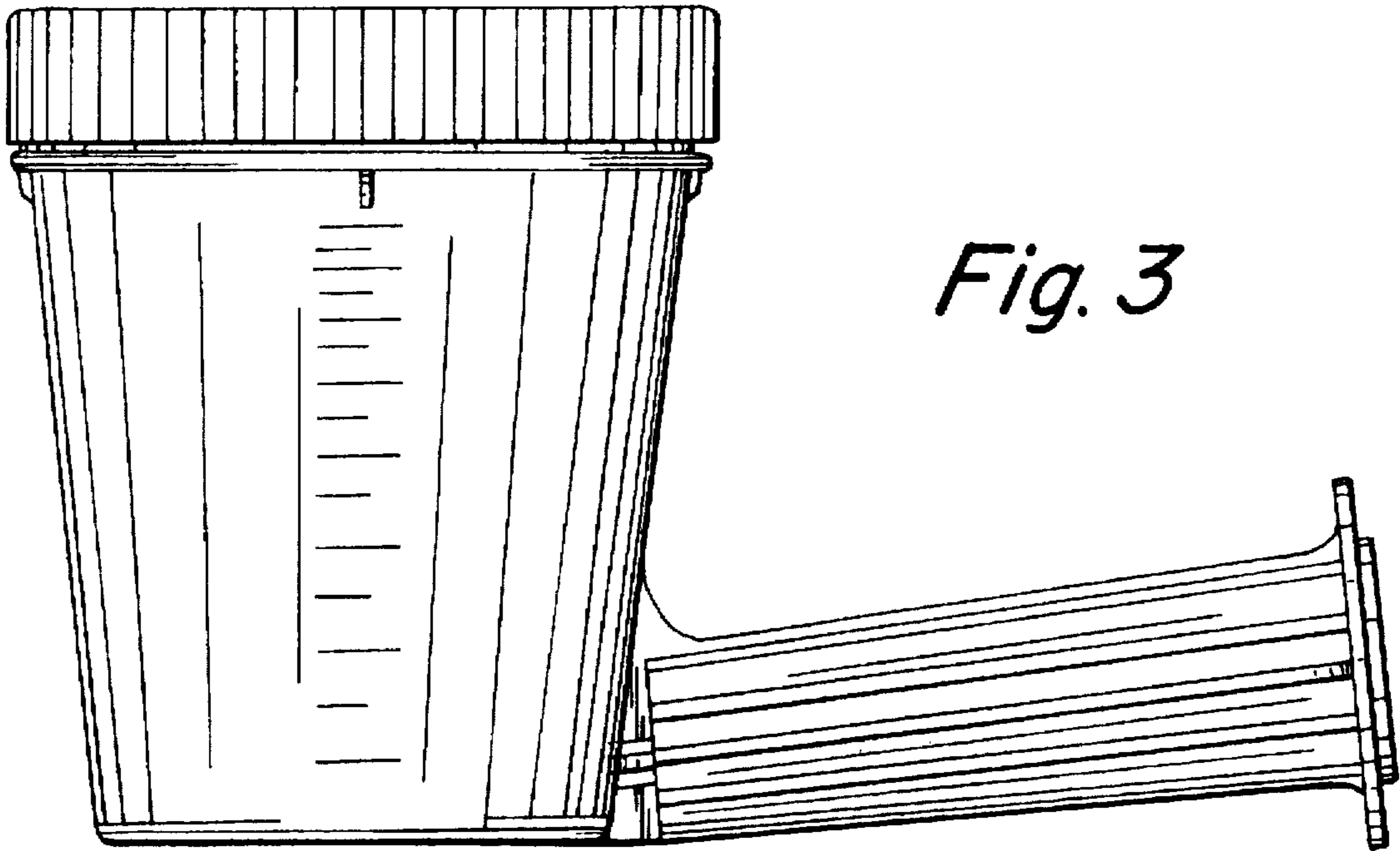




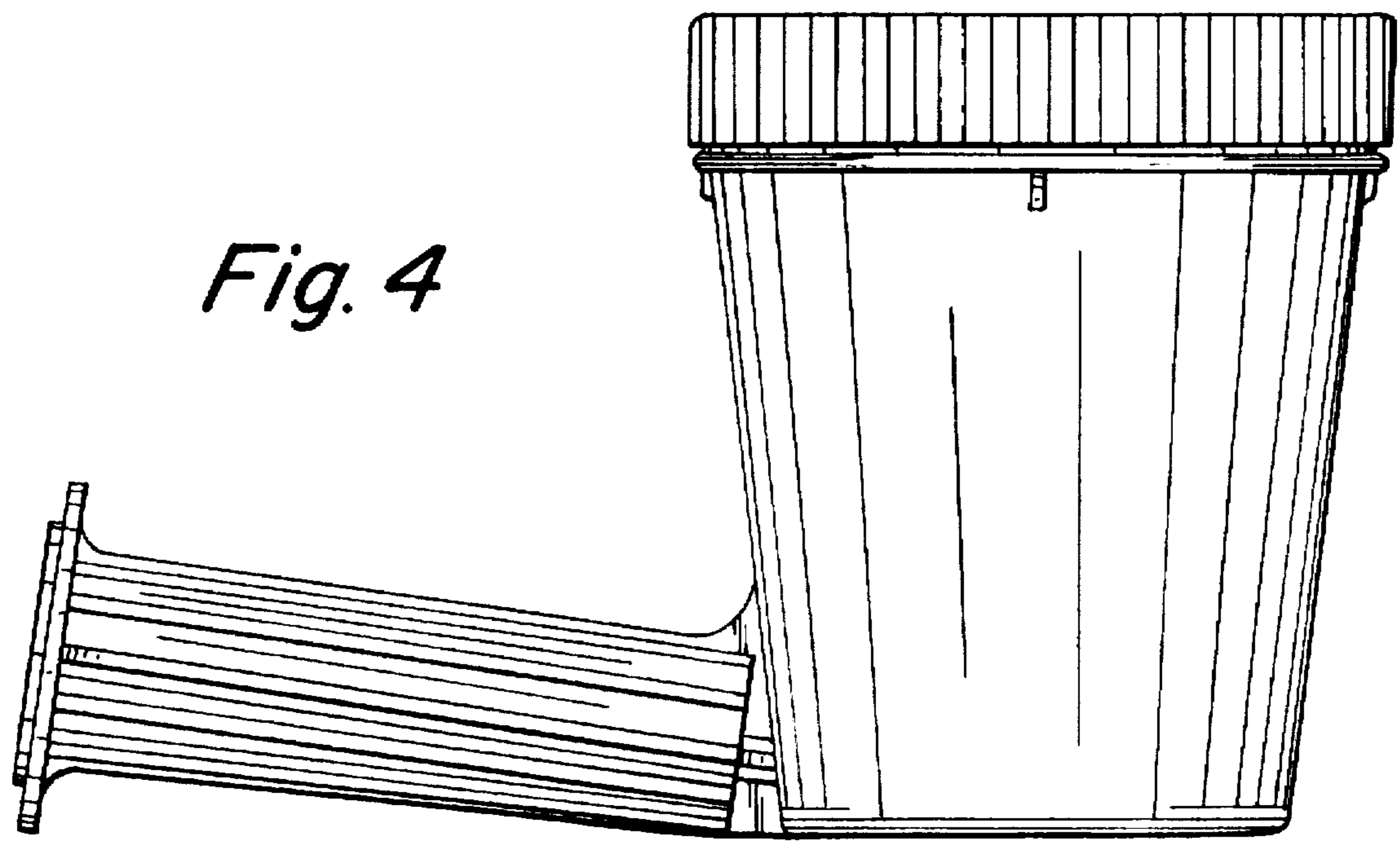
*Fig. 1*



*Fig. 2*

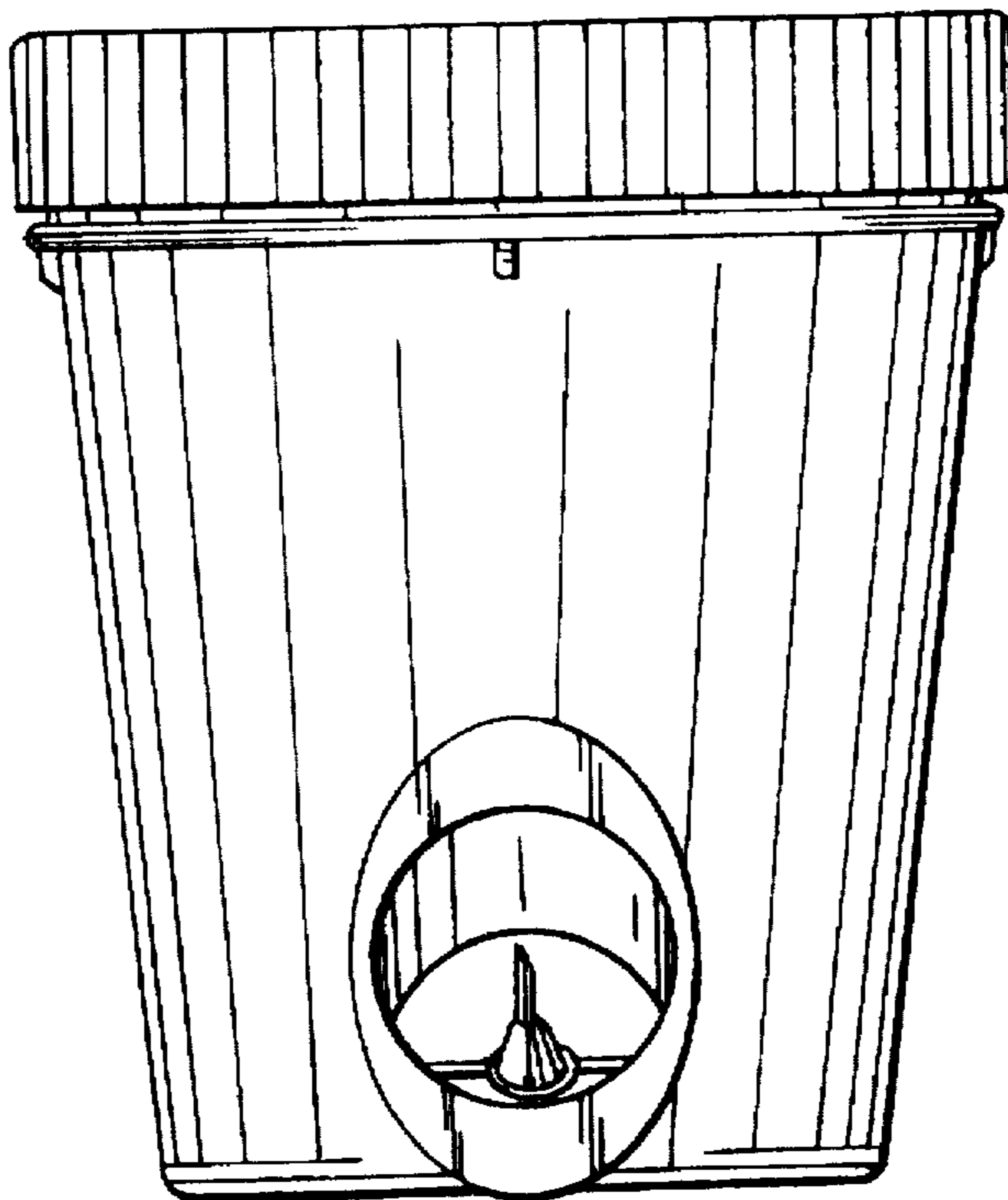


*Fig. 3*

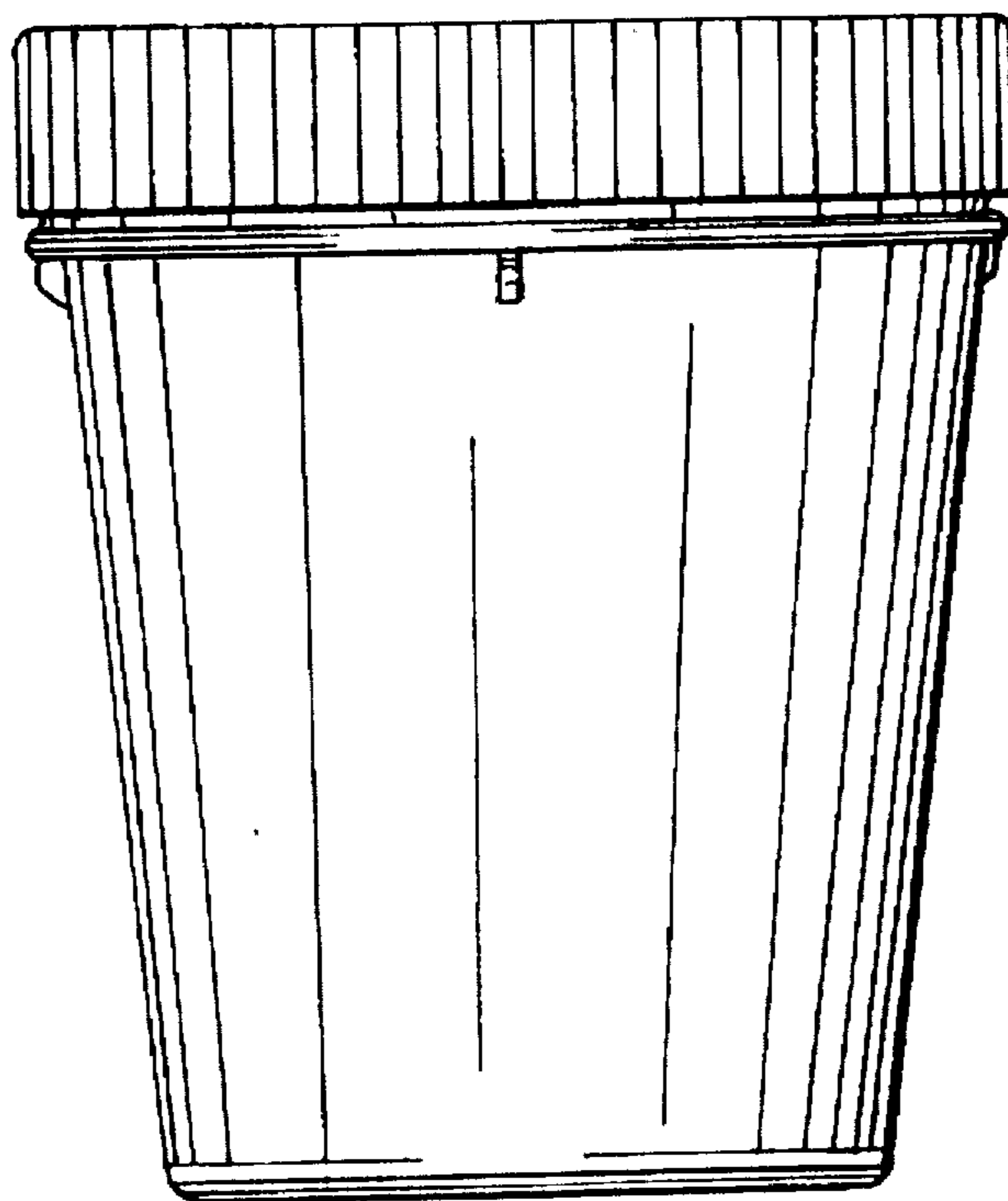


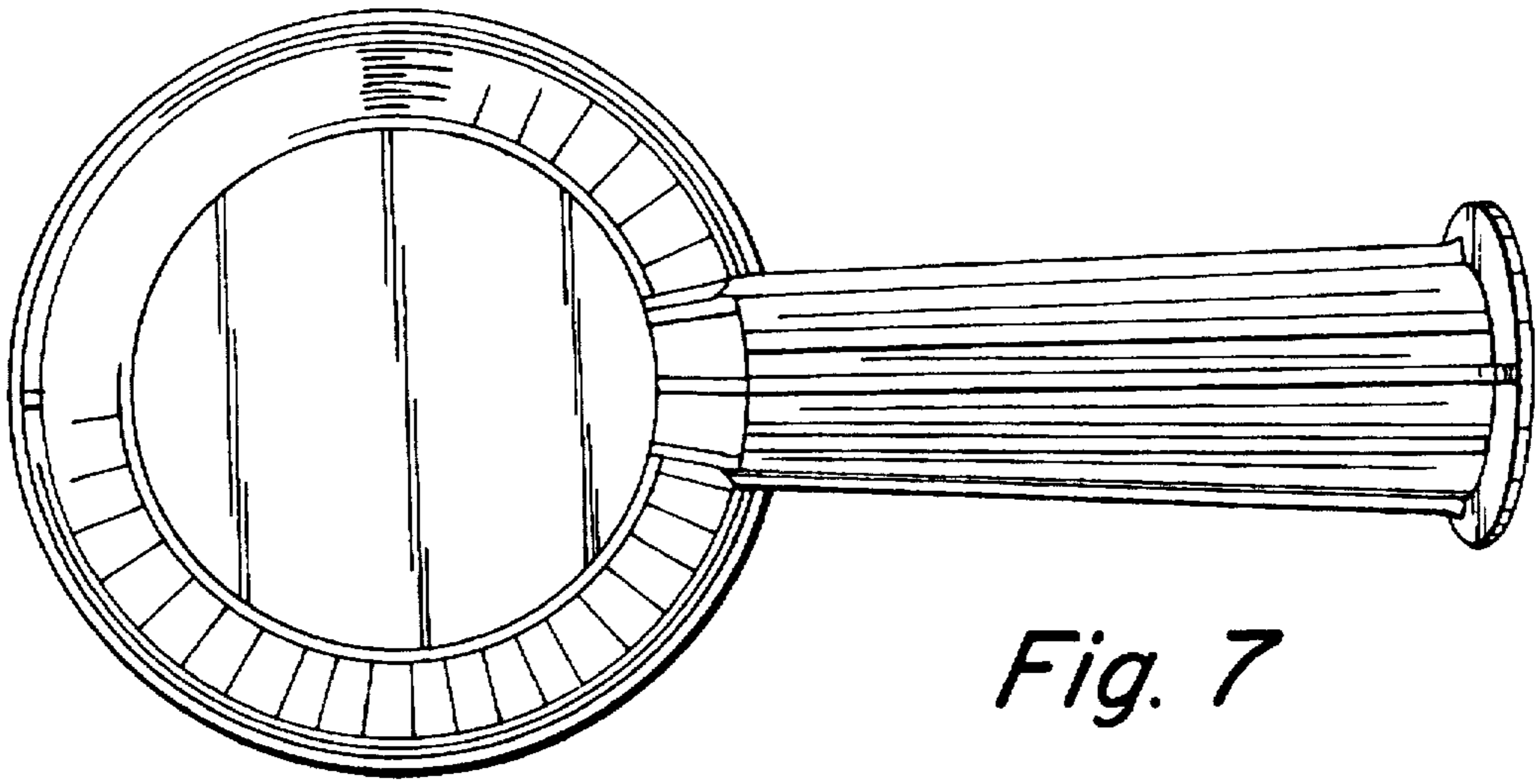
*Fig. 4*

*Fig. 5*

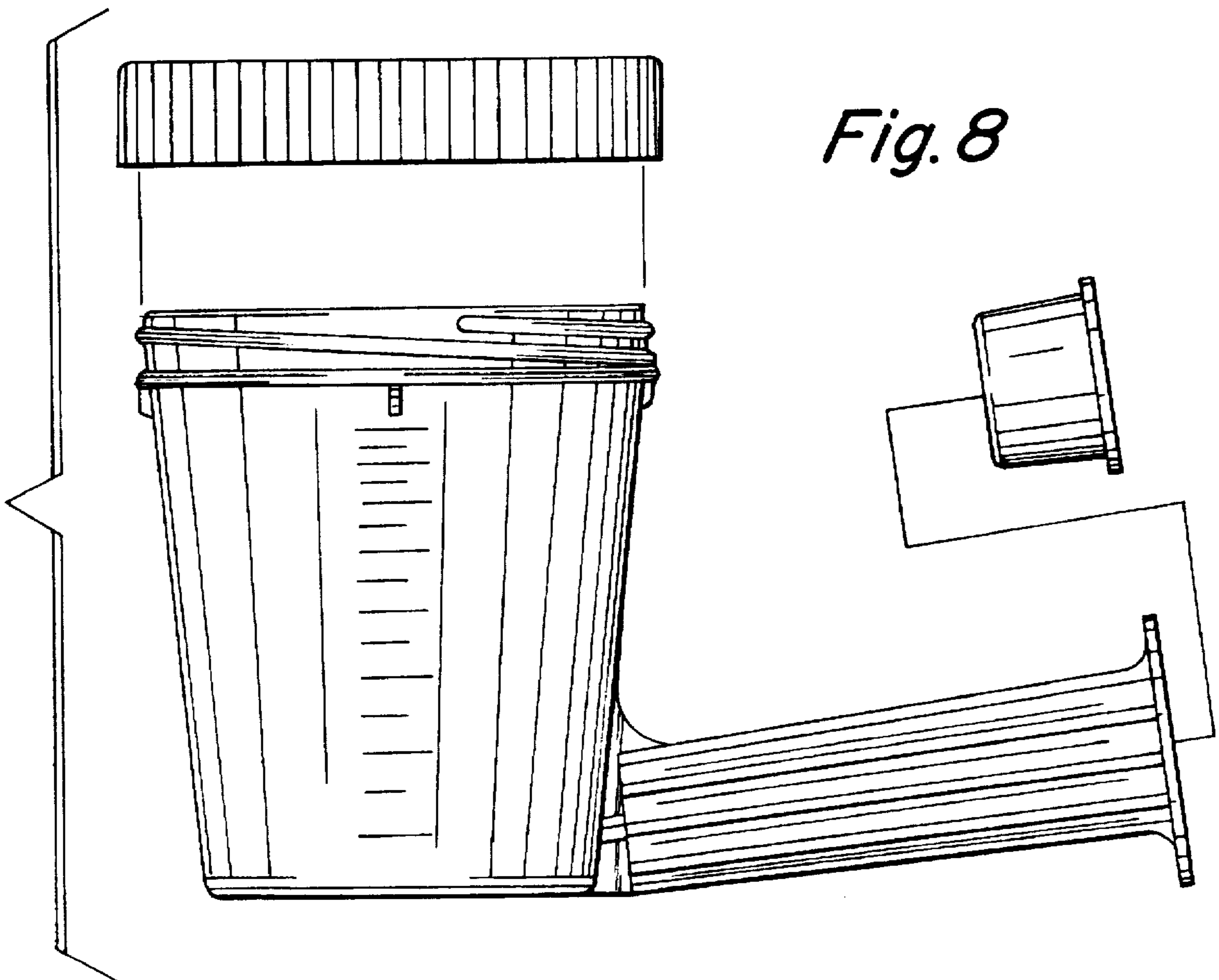


*Fig. 6*





*Fig. 7*



*Fig. 8*