

US00D388869S

# United States Patent [19] Wang

[11] Patent Number: **Des. 388,869**  
[45] Date of Patent: **\*\*Jan. 6, 1998**

- [54] **HIGH VELOCITY FAN**
- [75] Inventor: **Jui-Shang Wang**, Taipei, Taiwan
- [73] Assignee: **Duracraft Corp.**, Southborough, Mass.
- [\*\*] Term: **14 Years**
- [21] Appl. No.: **54,351**
- [22] Filed: **May 13, 1996**

### Related U.S. Application Data

- [63] Continuation-in-part of Ser. No. 24,742, Jun. 20, 1994, abandoned.
- [51] **LOC (6) Cl.** ..... **23-04**
- [52] **U.S. Cl.** ..... **D23/378; D23/382**
- [58] **Field of Search** ..... **D23/370, 378, D23/381, 382, 328, 335-337; 248/676; 416/246, 247**

### [56] References Cited

#### U.S. PATENT DOCUMENTS

D. 346,652	5/1994	Chiu et al.	.....	D23/378
2,100,923	11/1937	Schmidt et al.	.....	416/247
2,954,198	9/1960	Lindberg et al.	.....	416/246

*Primary Examiner*—Lisa Lichtenstein  
*Attorney, Agent, or Firm*—Morgan & Finnegan

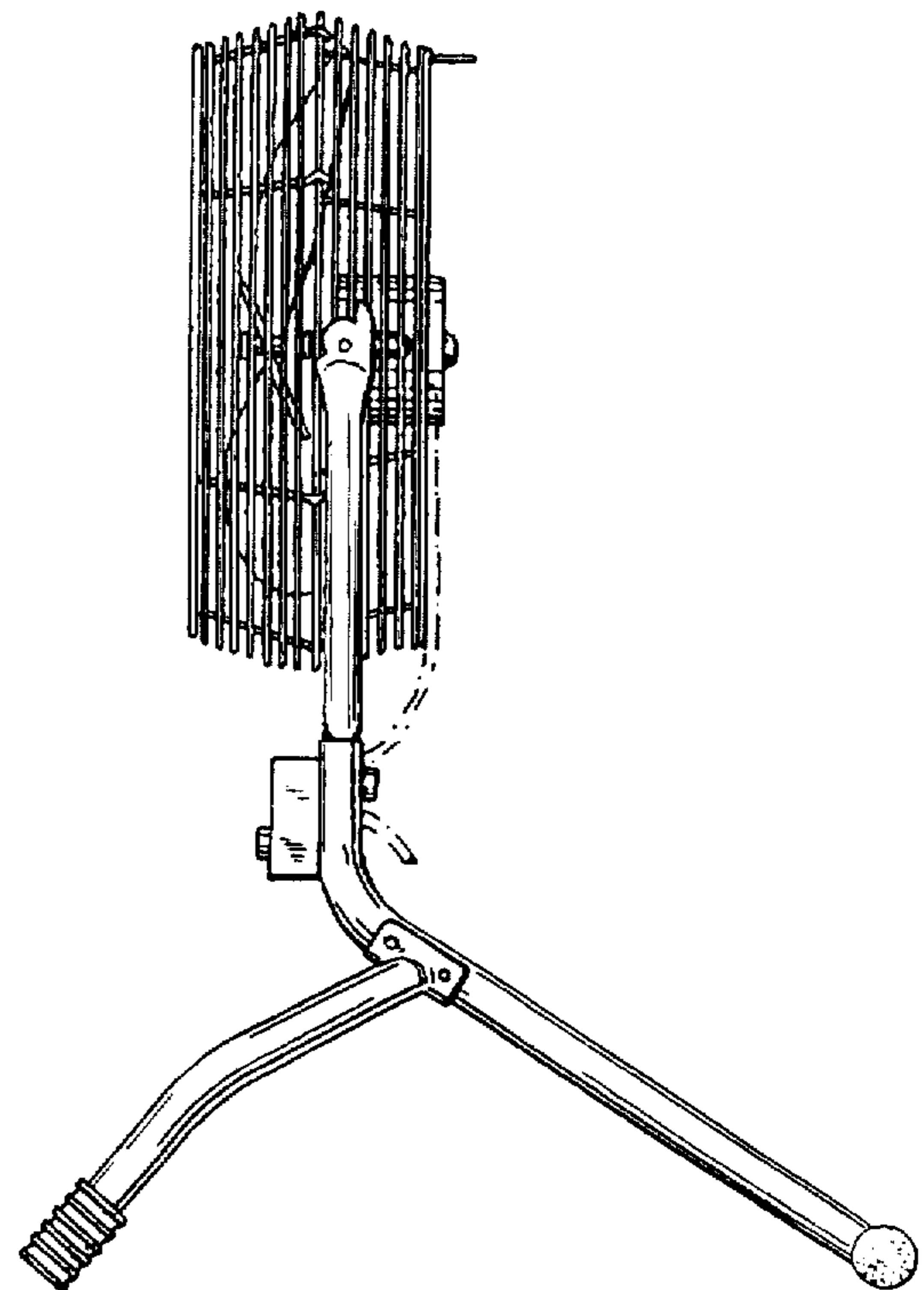
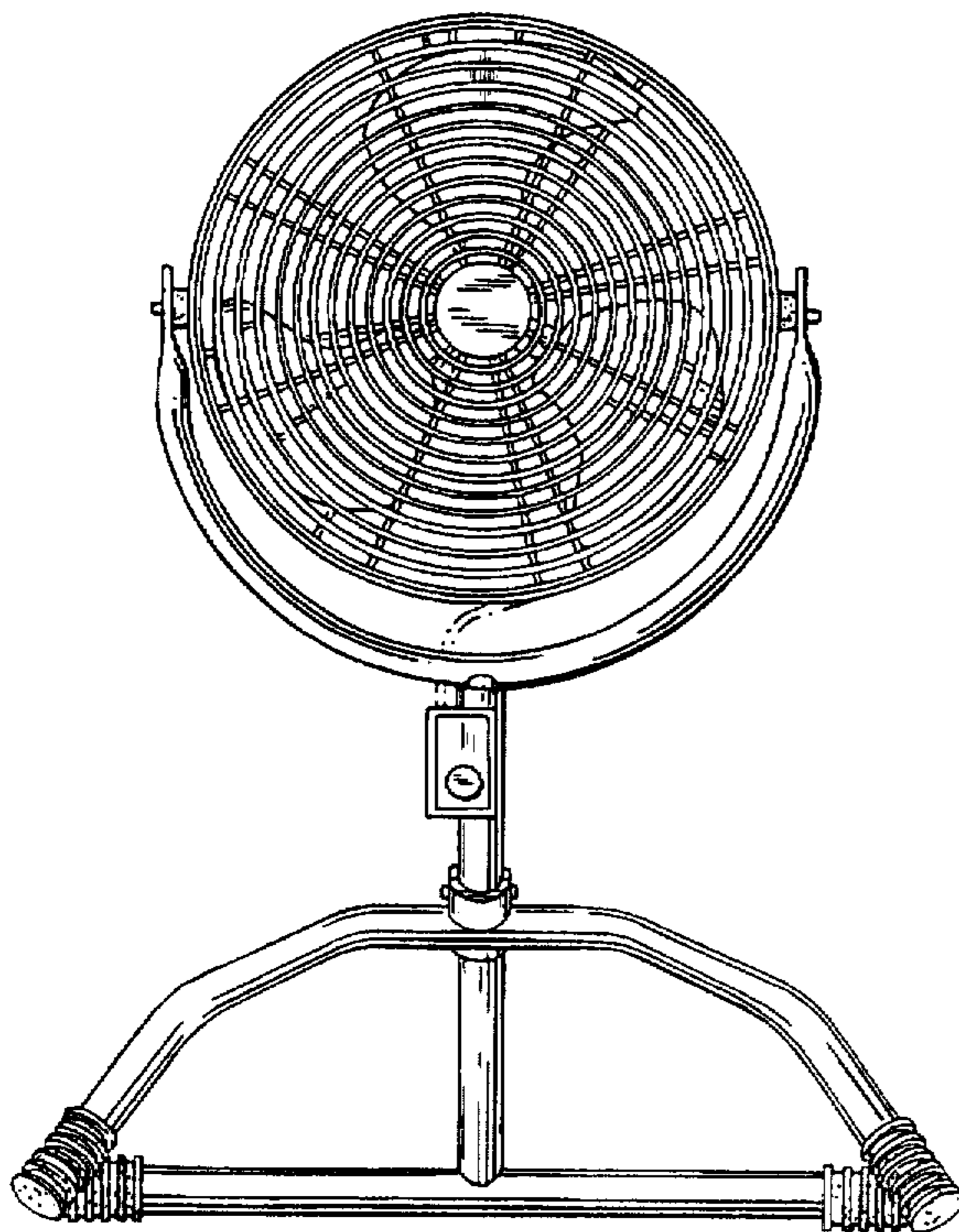
### [57] CLAIM

The ornamental design for a high velocity fan, as shown.

### DESCRIPTION

FIG. 1 is a front view of the design for a high velocity fan in accordance with the present invention;  
 FIG. 2 is a view of one side thereof;  
 FIG. 3 is a view of another side thereof;  
 FIG. 4 is a rear view thereof;  
 FIG. 5 is a top view thereof;  
 FIG. 6 is a bottom view thereof;  
 FIG. 7 is a front view of the design for the high velocity fan in accordance with the present invention showing extension thereof;  
 FIG. 8 is a view of one side of the design for the high velocity fan in accordance with the present invention showing extension thereof;  
 FIG. 9 is a view of another side of the design for the high velocity fan in accordance with the present invention showing extension thereof; and,  
 FIG. 10 is a rear view of the design for the high velocity fan in accordance with the present invention showing extension thereof.

**1 Claim, 9 Drawing Sheets**



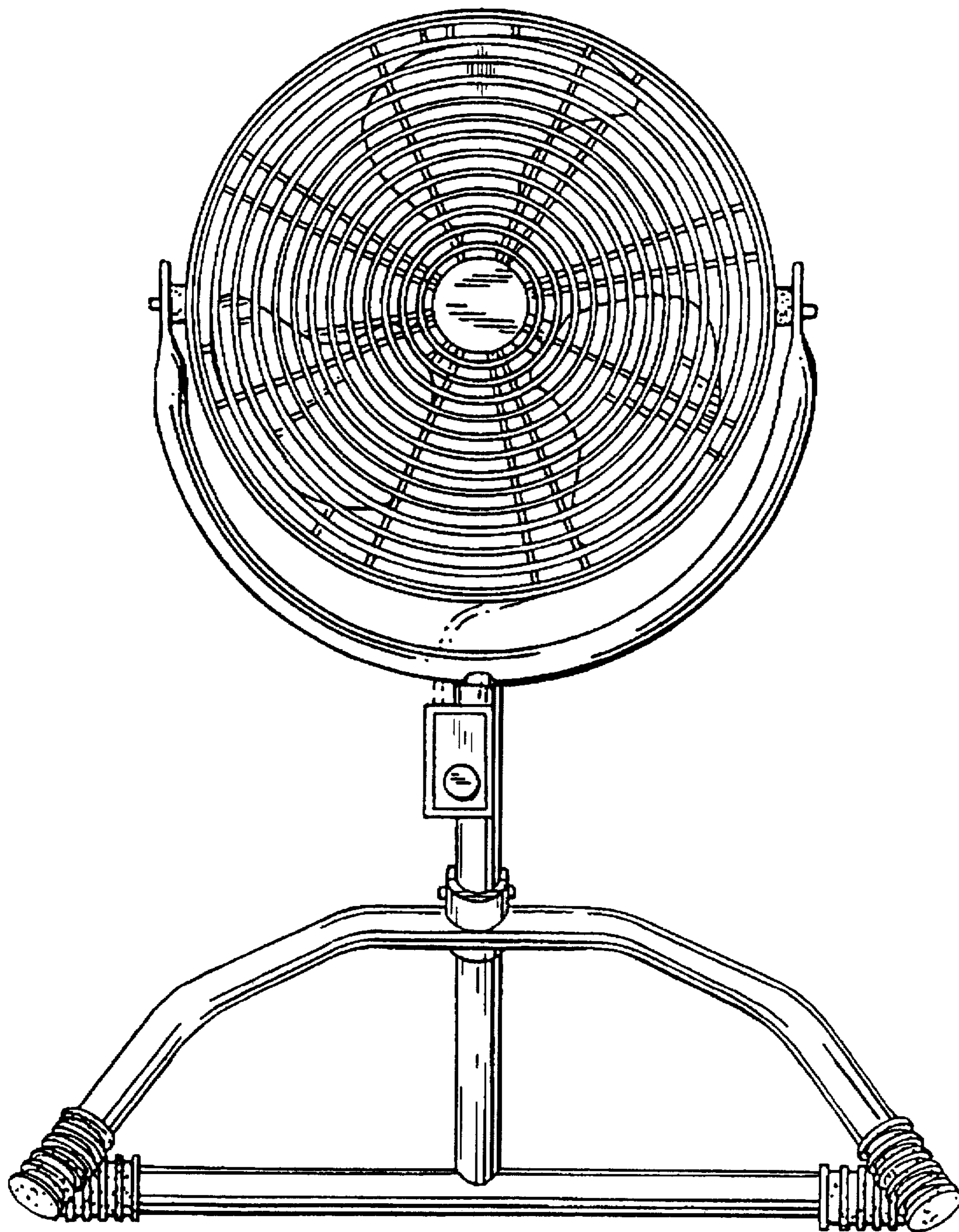


FIG. 1

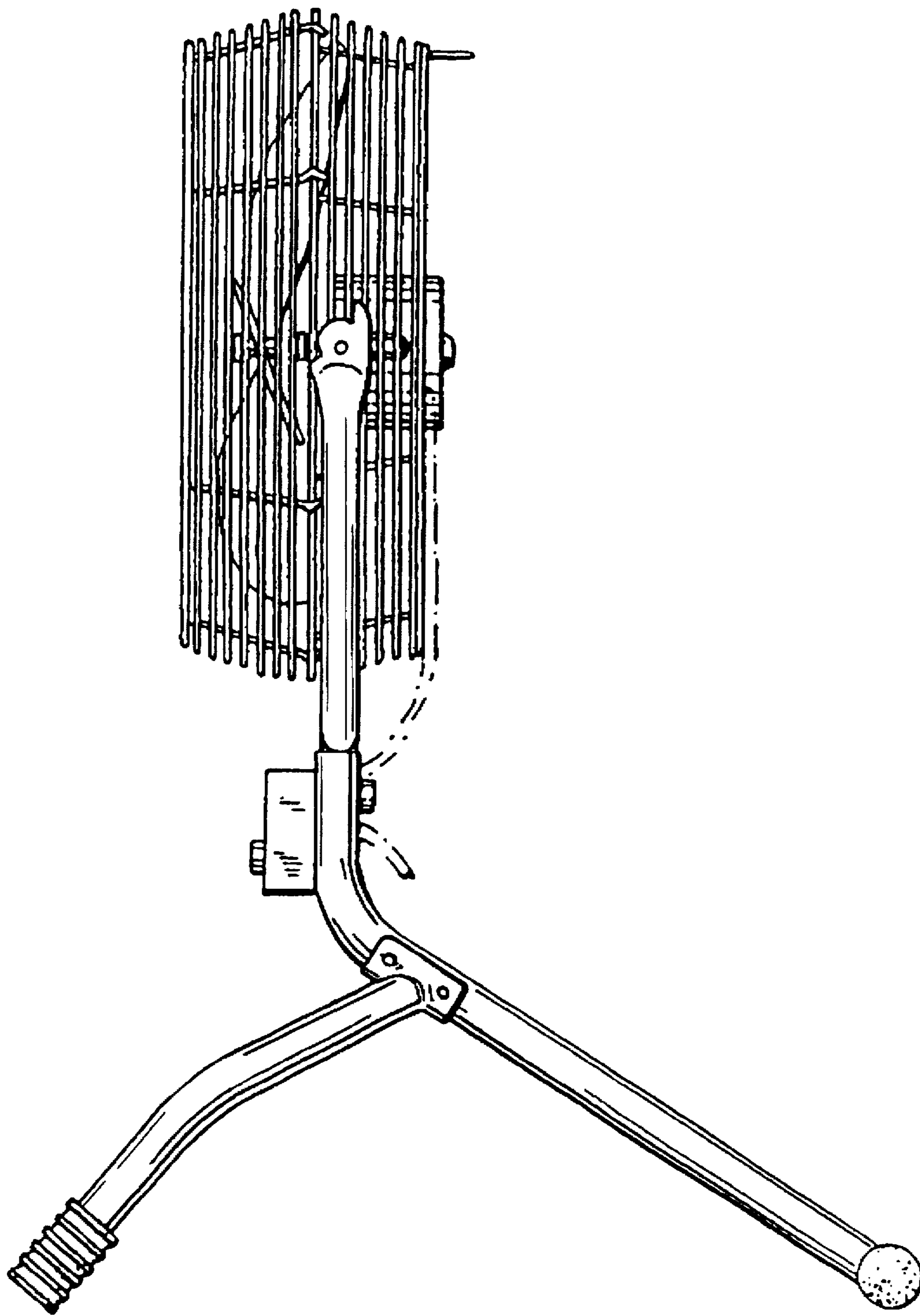


FIG. 2

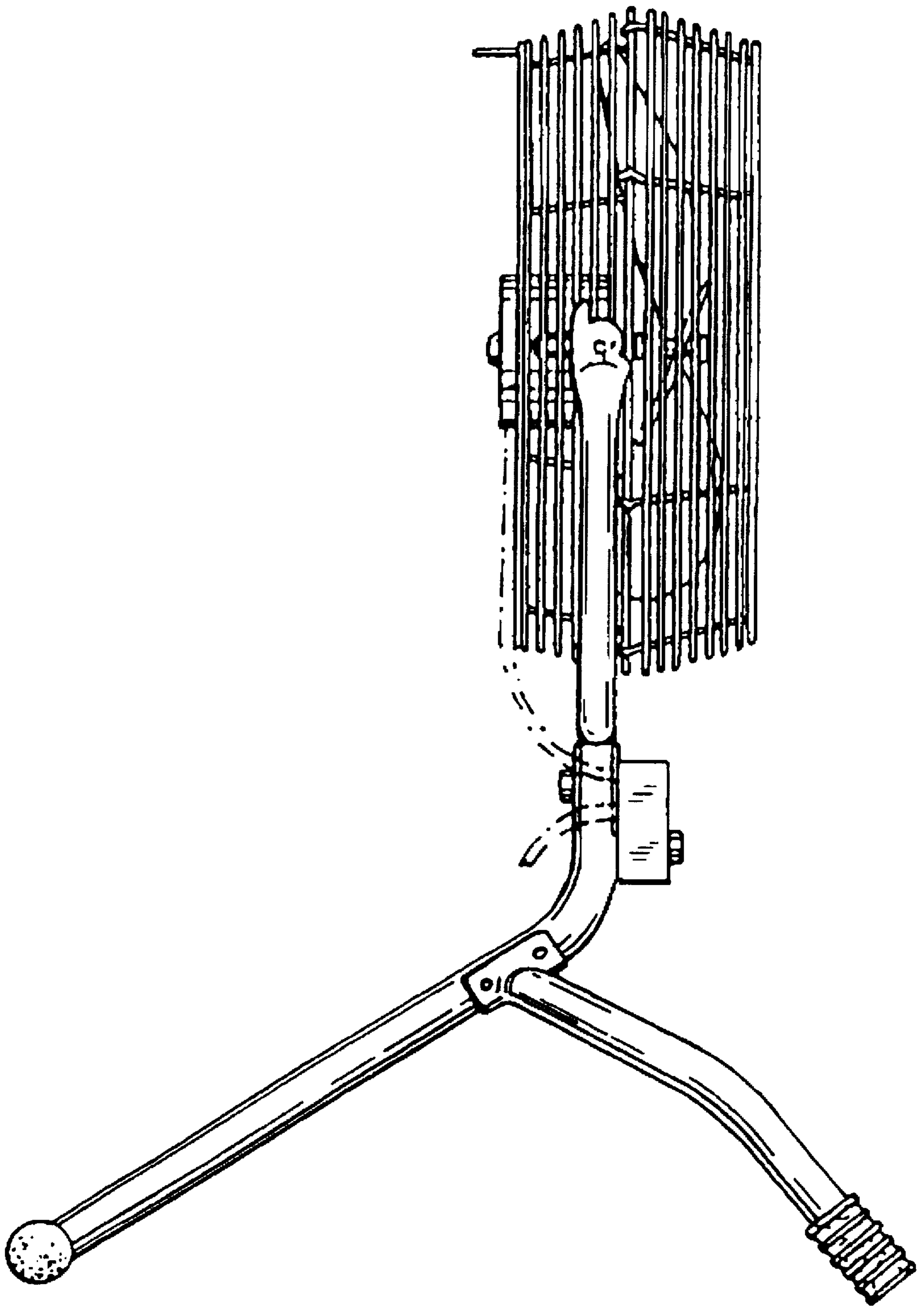


FIG. 3

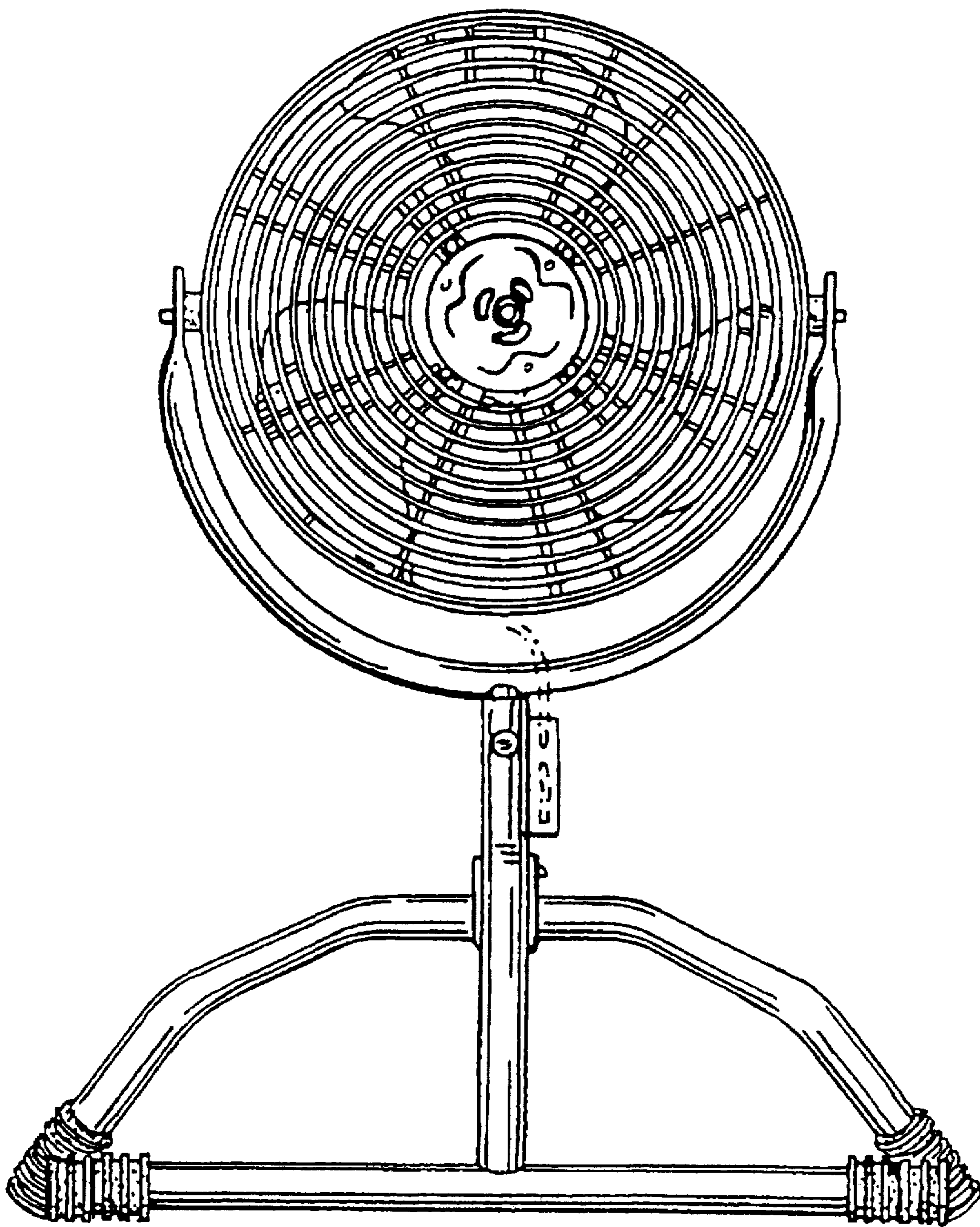
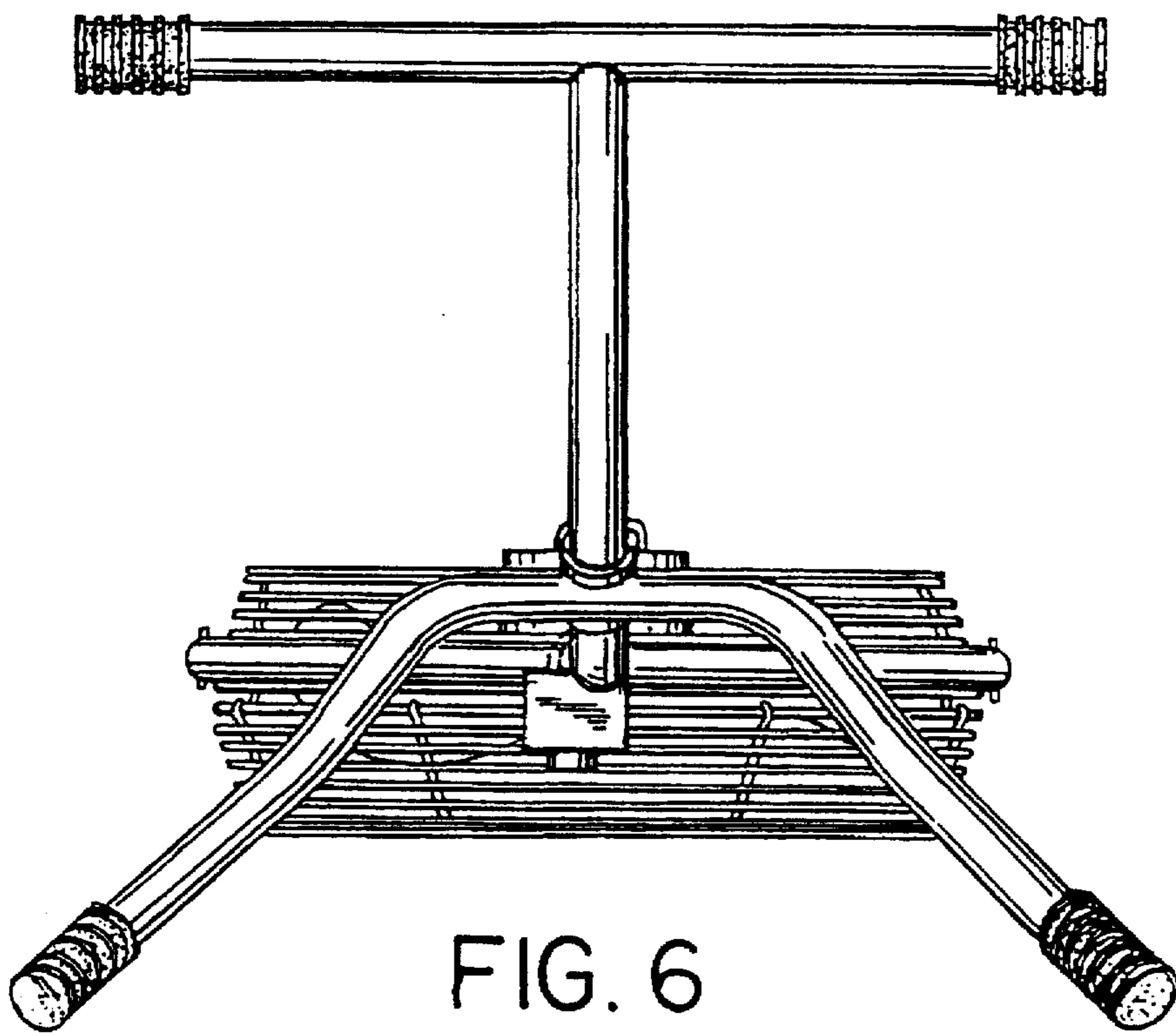
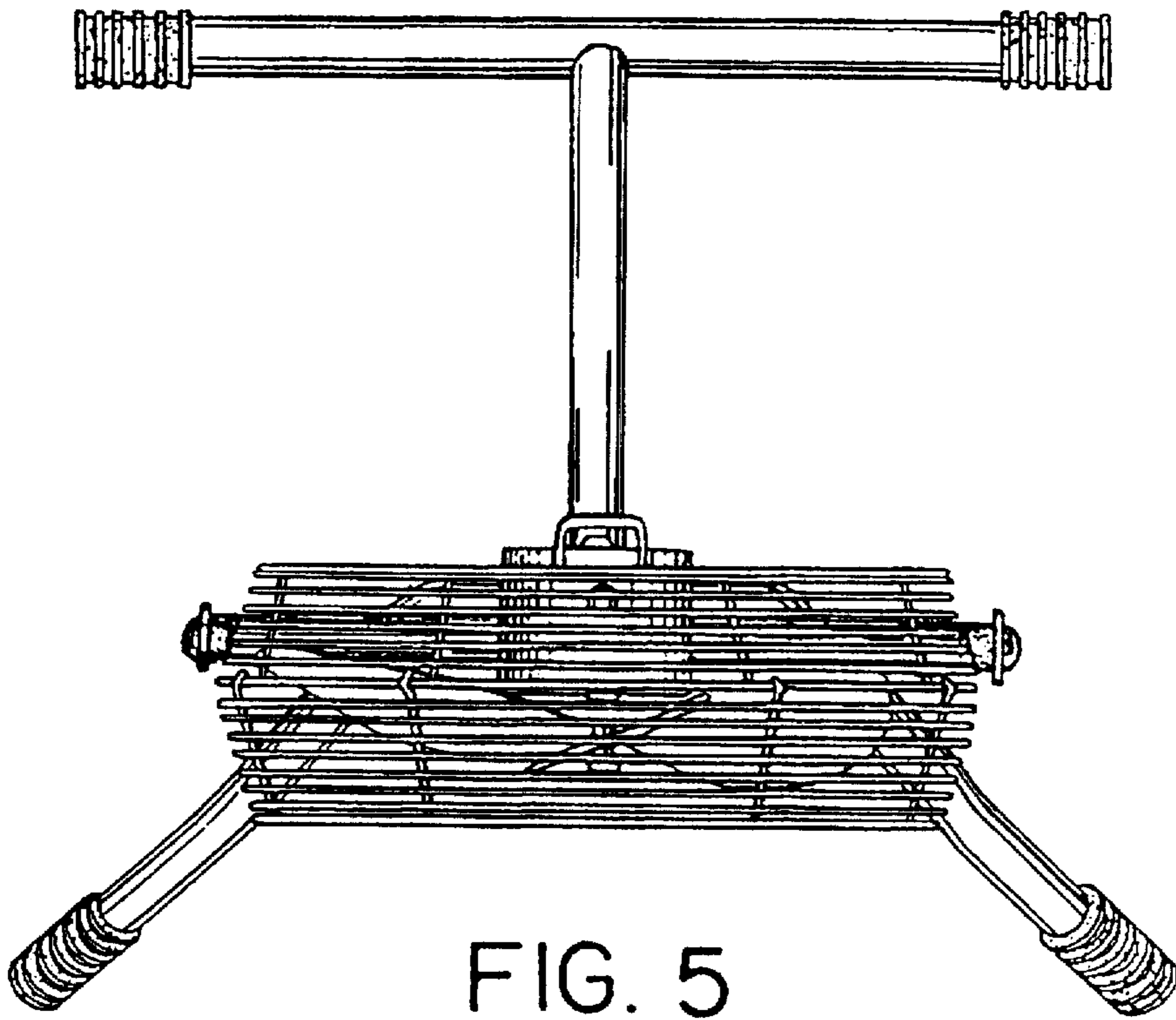


FIG. 4



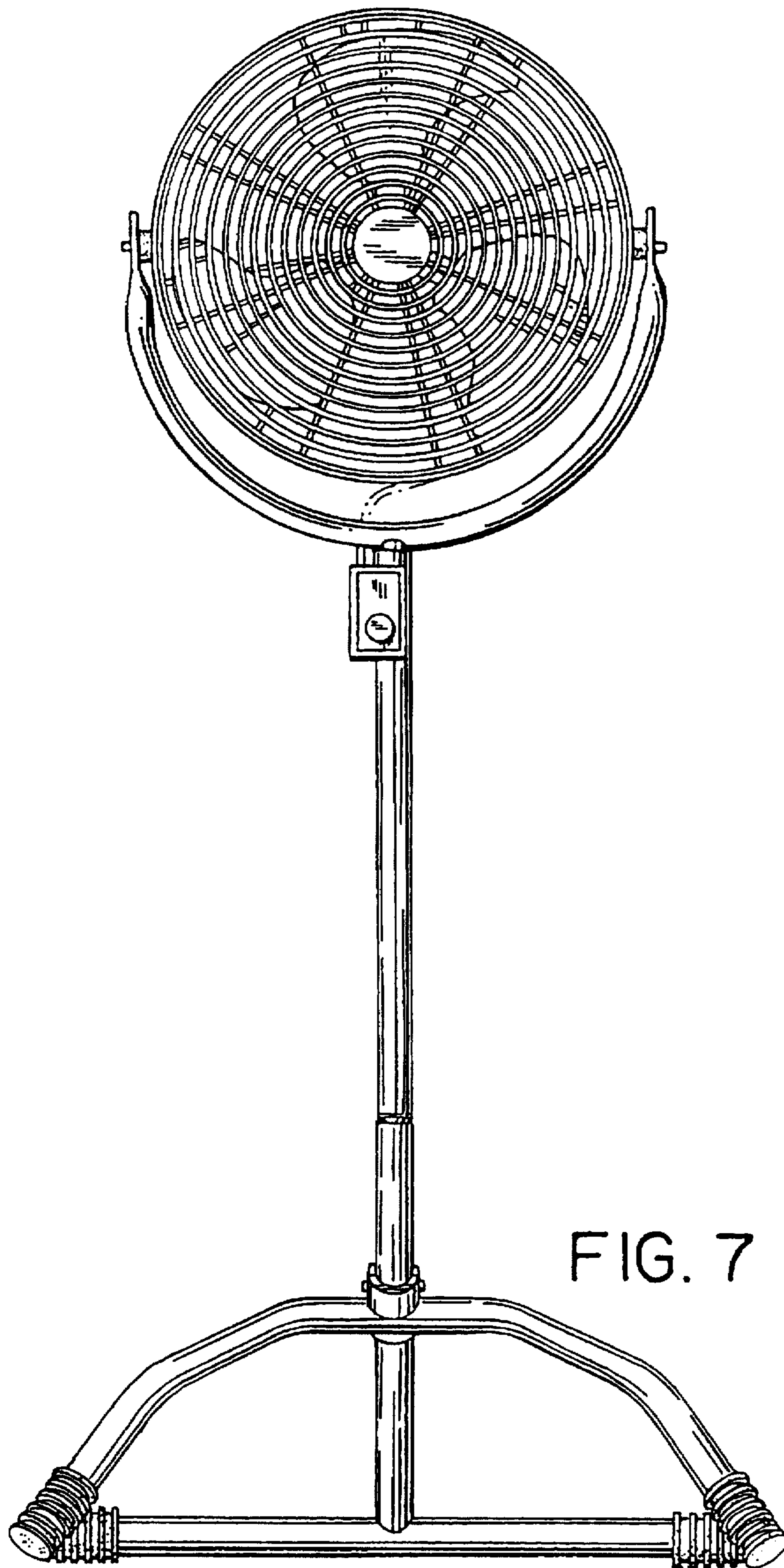


FIG. 7

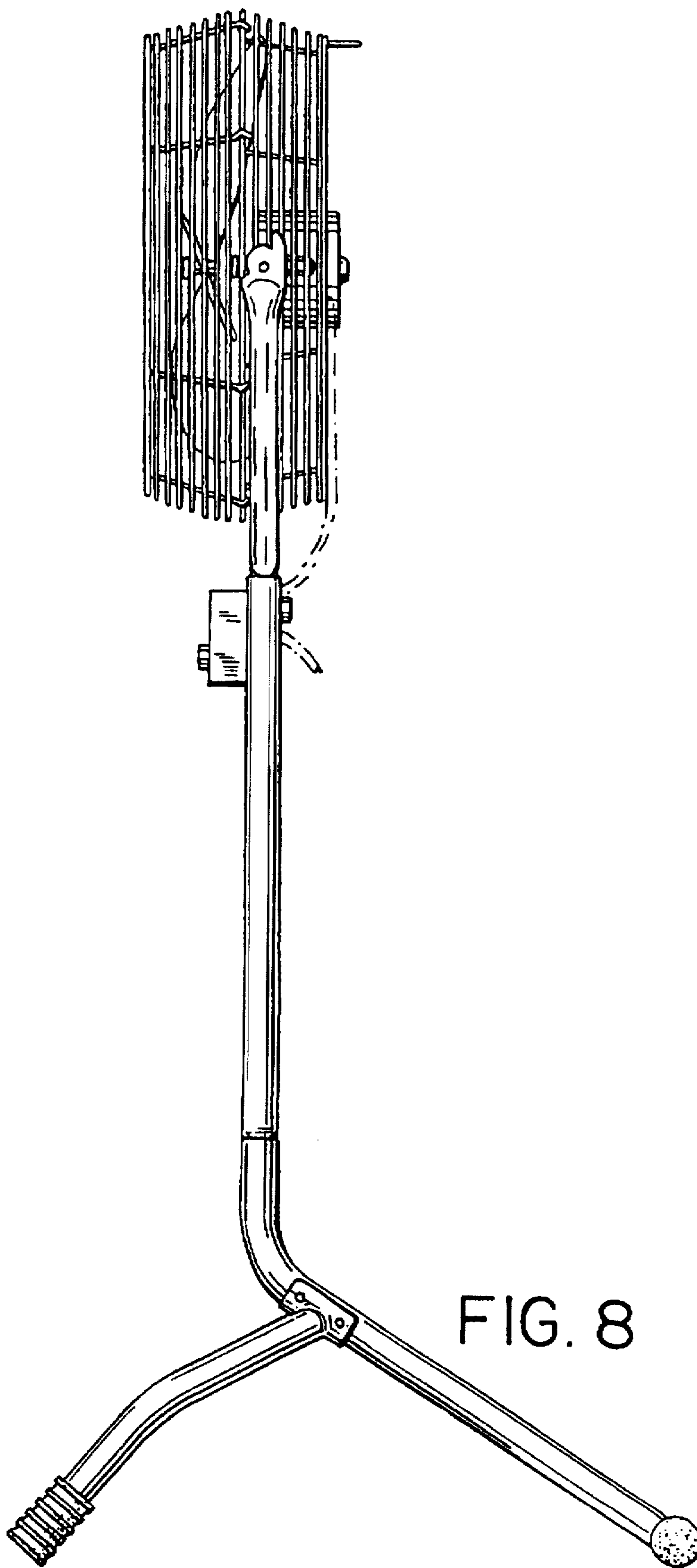


FIG. 8



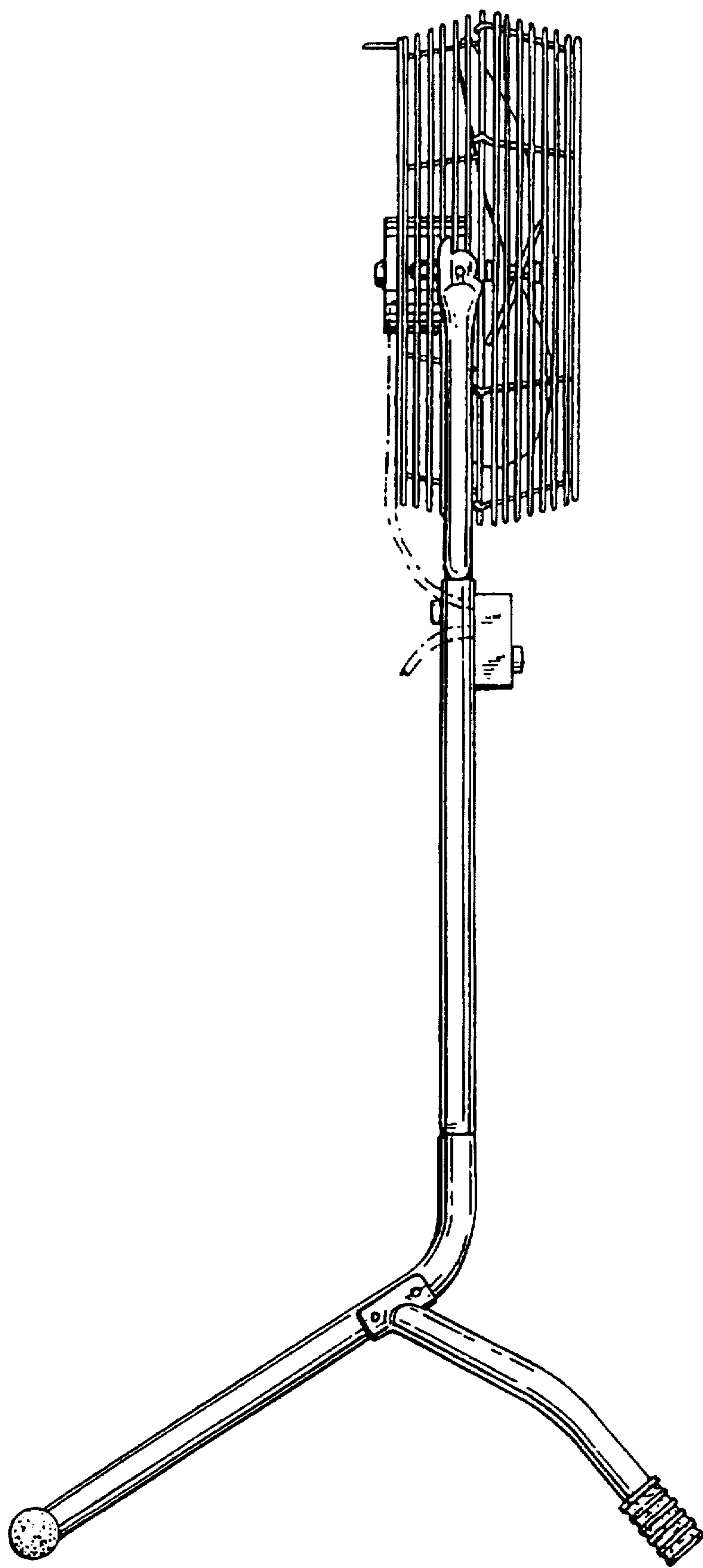


FIG. 9

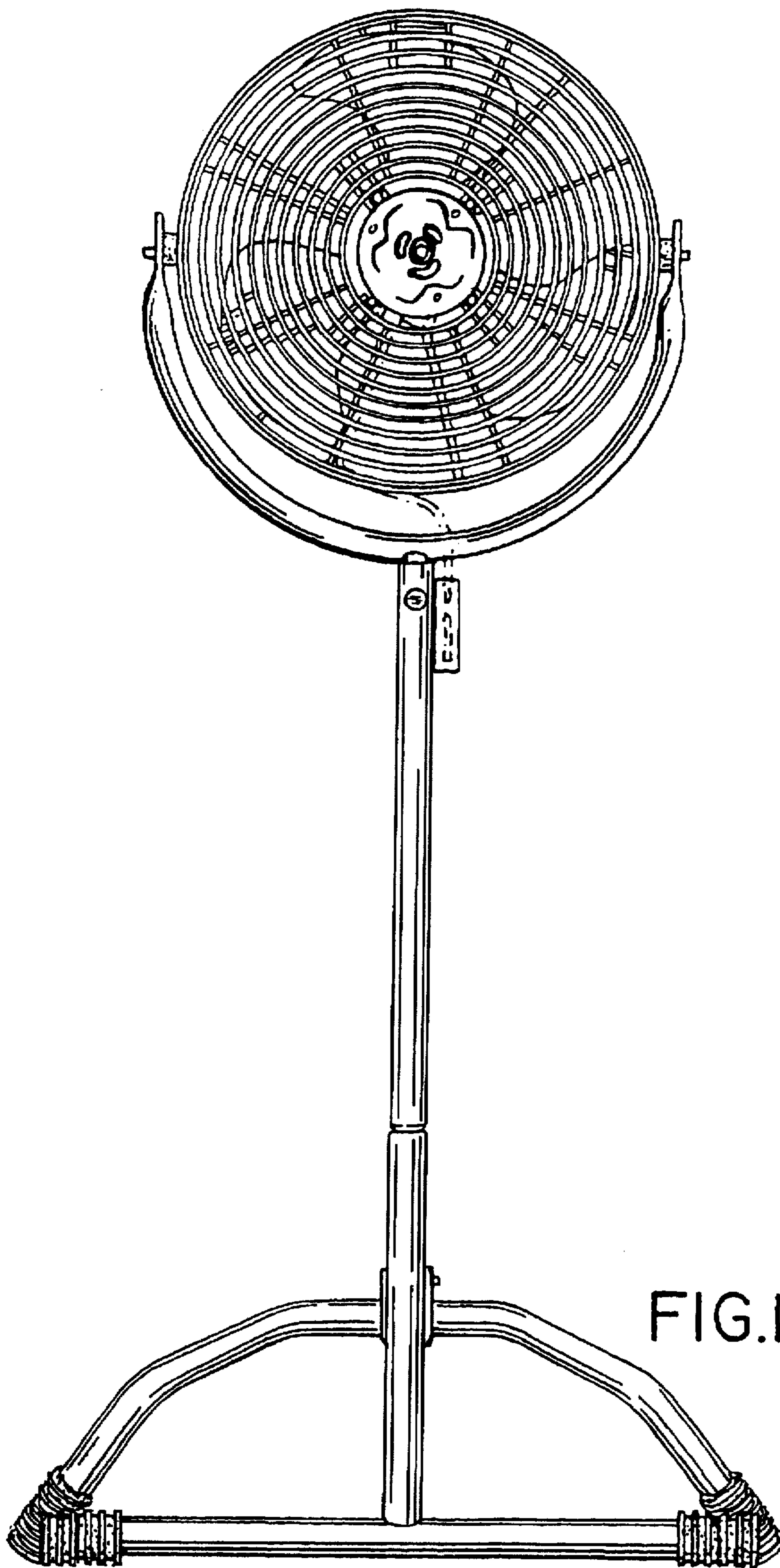


FIG.10