



US00D388867S

United States Patent [19]

Baca

[11] Patent Number: Des. 388,867

[45] Date of Patent: **Jan. 6, 1998

[54] **SPLASHGUARD FOR BATHTUB**

[76] Inventor: **Burt J. Baca**, 746 6th Ave., Redwood City, Calif. 94063

[**] Term: **14 Years**

[21] Appl. No.: **53,215**

[22] Filed: **Apr. 17, 1996**

[51] LOC (6) Cl. **23-02**

[52] U.S. Cl. **D23/307**

[58] Field of Search D23/304, 307;
4/559, 584, 658, 661, 609

[56] **References Cited**

U.S. PATENT DOCUMENTS

D. 297,157	8/1988	Eder	D23/307
D. 312,301	11/1990	Brown	D23/307
D. 331,456	12/1992	Levien	D23/304
D. 355,026	1/1995	Levien	D23/304
3,984,880	10/1976	Schromeyer	4/609

Primary Examiner—Louis S. Zarfes
Assistant Examiner—Eric Watterson

[57] **CLAIM**

The ornamental design for a splashguard for bathtub, as shown.

DESCRIPTION

FIG. 1 is a perspective view taken from the top, front, and right side of a splashguard for bathtub, showing my new design;

FIG. 2 is a left side elevational view, the opposite side being a mirror image thereof;

FIG. 3 is a front elevational view thereof;

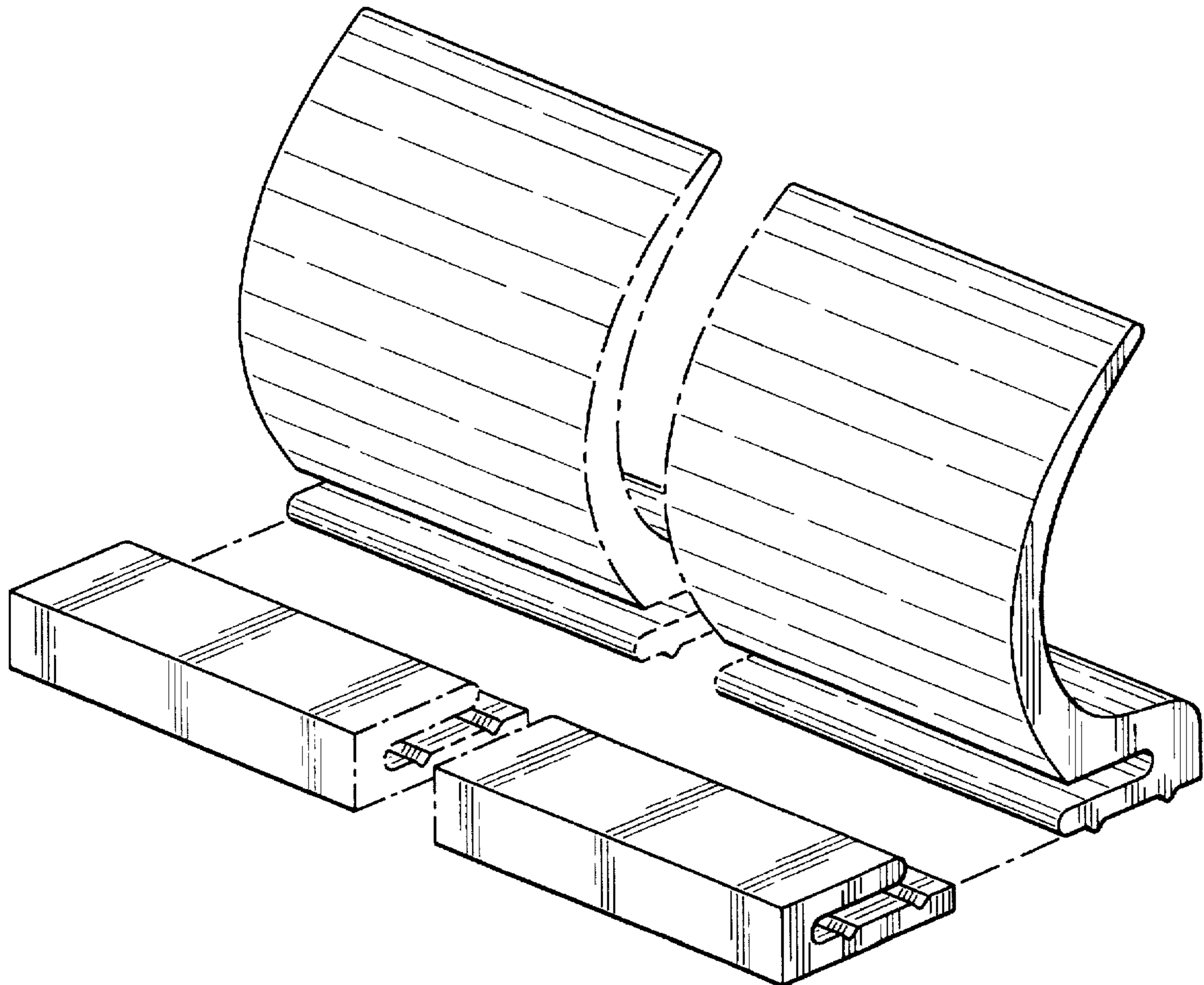
FIG. 4 is a rear elevational view thereof;

FIG. 5 is a bottom plan view thereof; and,

FIG. 6 is a top plan view thereof.

The center portion of FIG. 1 and FIGS. 3-6 is shown broken away to indicate indeterminate length.

1 Claim, 3 Drawing Sheets



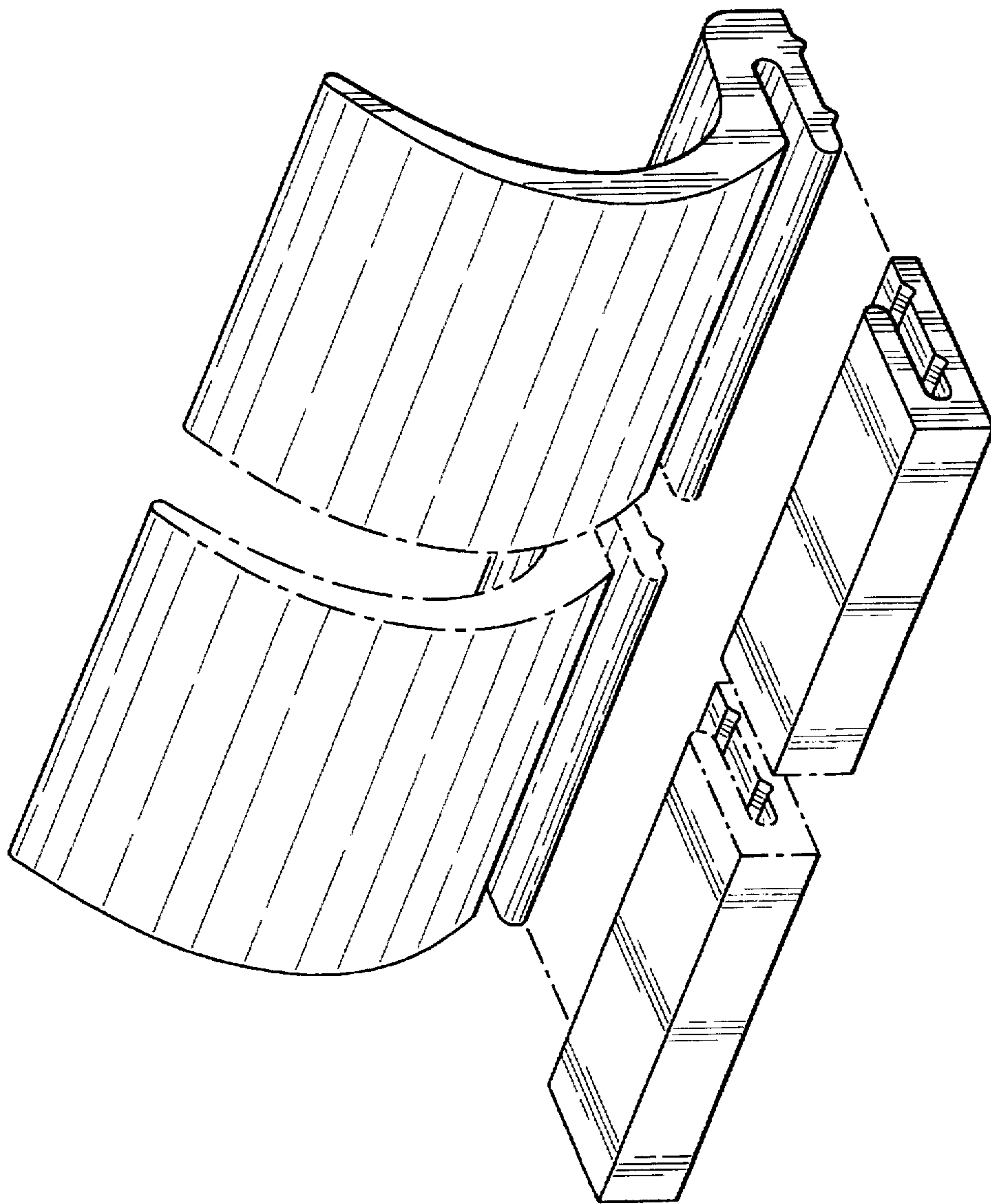


Fig. 1

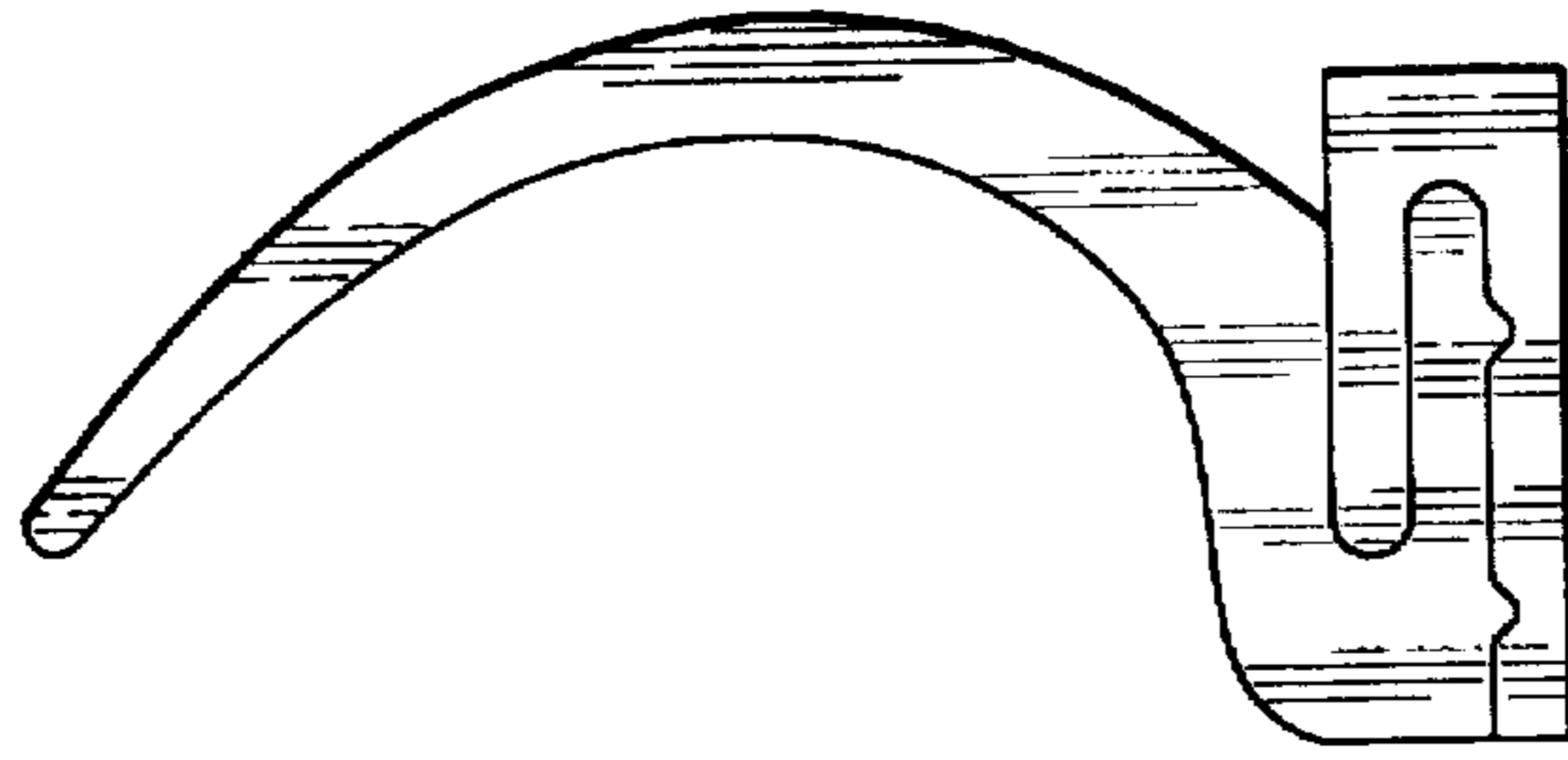


Fig. 2

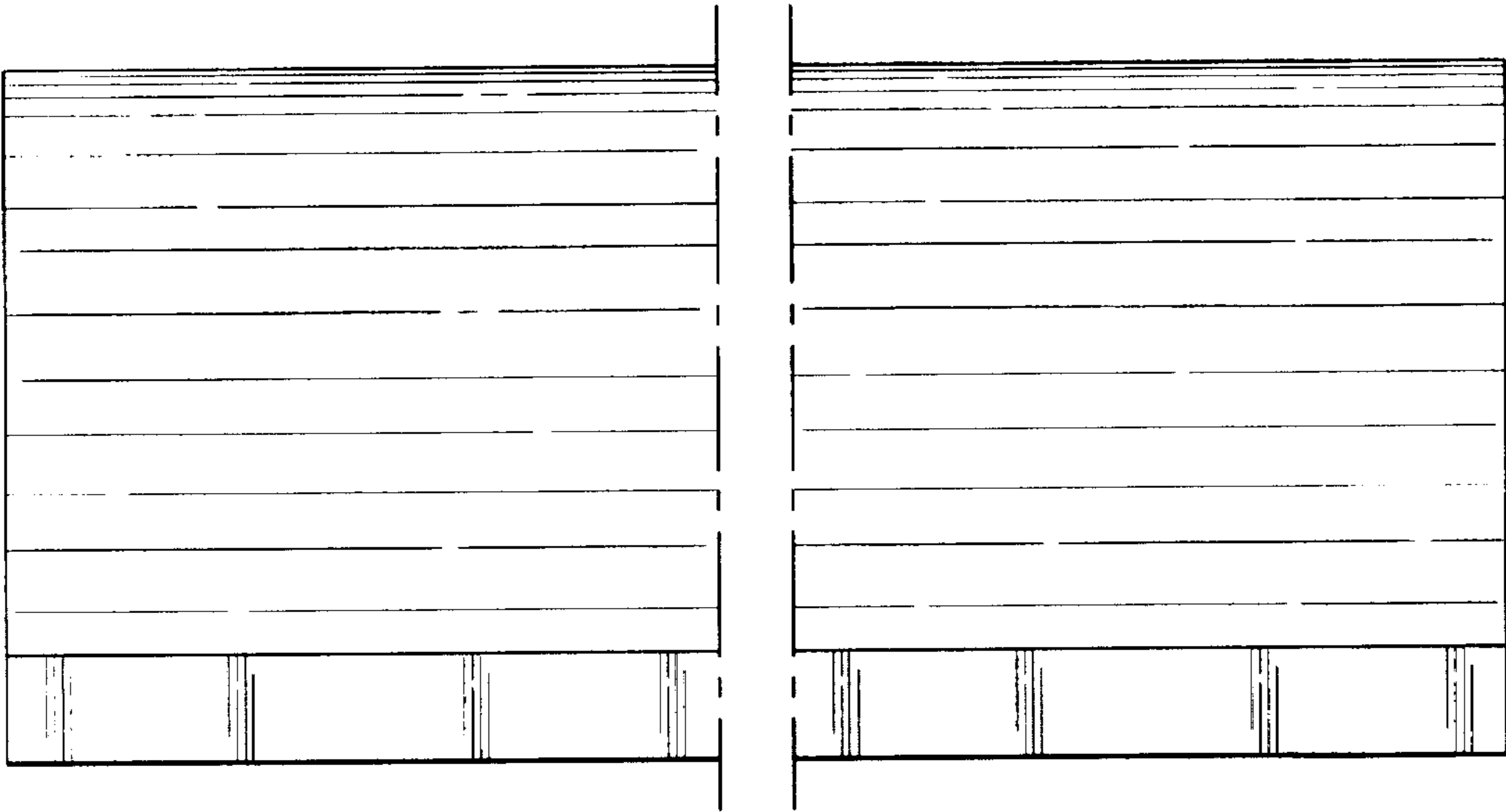


Fig. 3

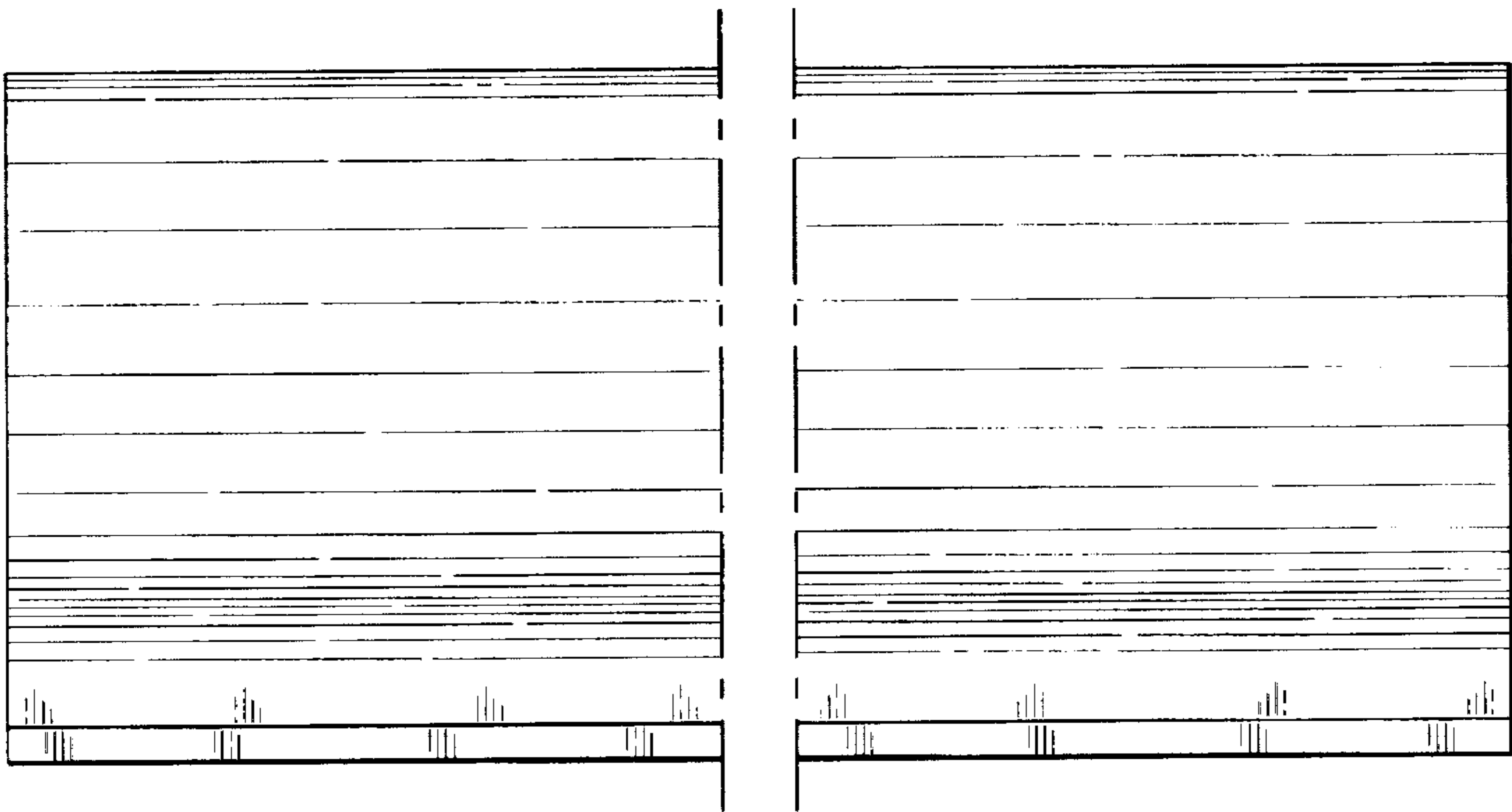


Fig. 4

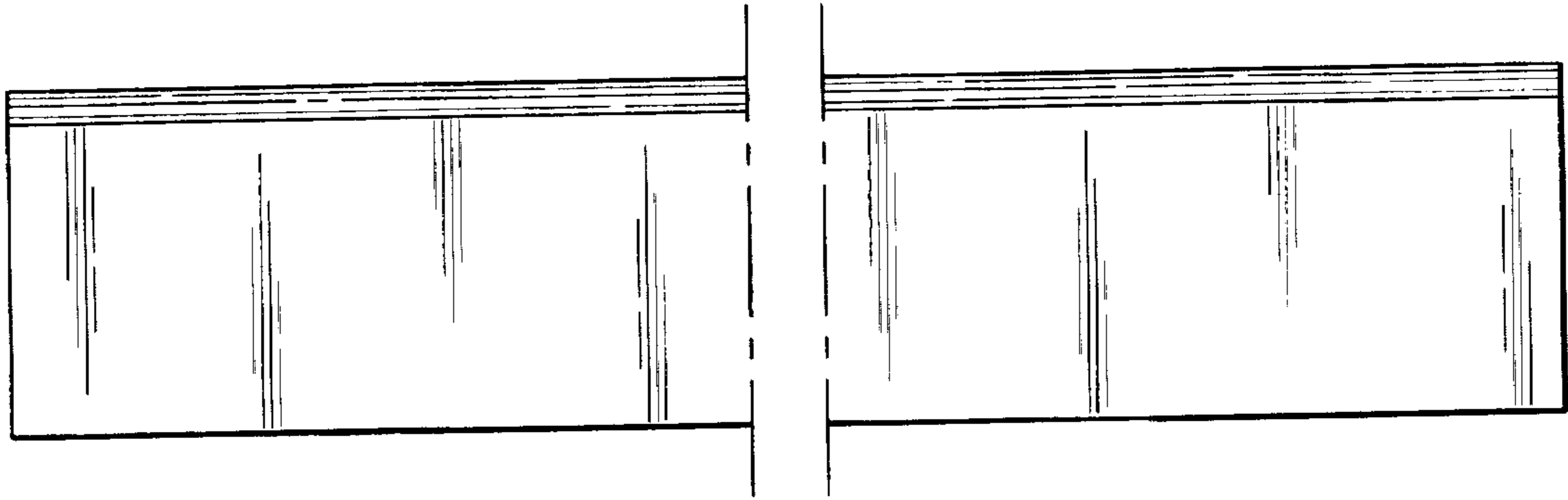


Fig. 5

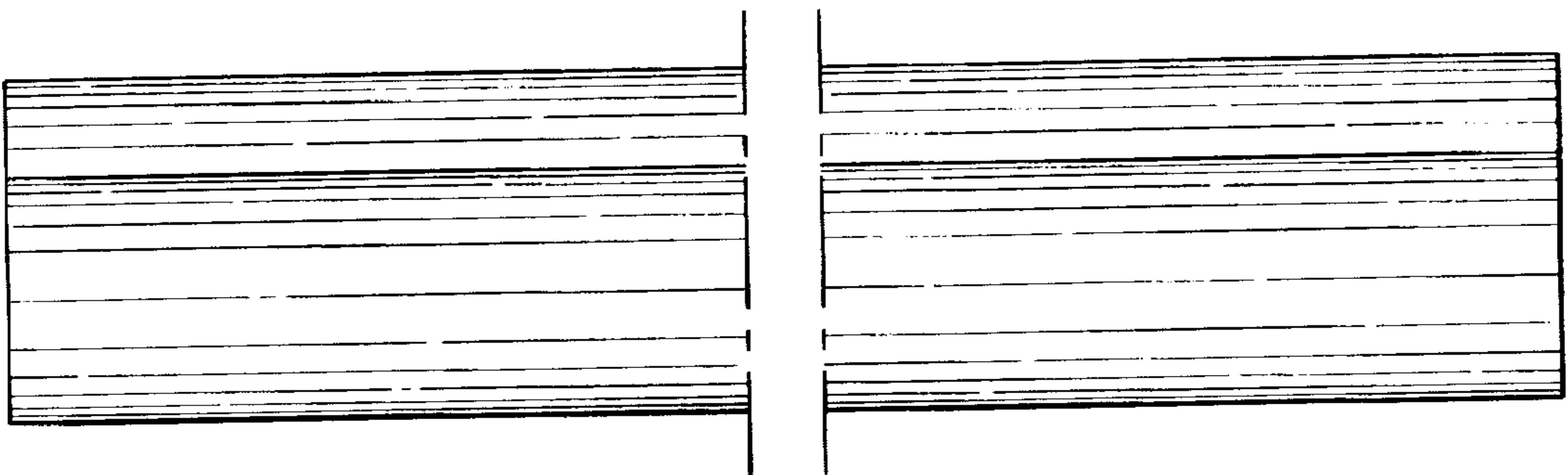


Fig. 6