



US00D388863S

United States Patent [19]
Kolada

[11] **Patent Number:** **Des. 388,863**
[45] **Date of Patent:** ****Jan. 6, 1998**

[54] **FAUCET BODY**

[75] **Inventor:** **Paul P. Kolada**, Bexley, Ohio
[73] **Assignee:** **Symmons Industries, Inc.**, Braintree, Mass.
[**] **Term:** **14 Years**

[21] **Appl. No.:** **66,330**
[22] **Filed:** **Feb. 12, 1997**

[51] **LOC (6) Cl.** **23-01**
[52] **U.S. Cl.** **D23/238**
[58] **Field of Search** **D23/238-243,**
D23/250-257; 4/675-678; 137/801

[56] **References Cited**
U.S. PATENT DOCUMENTS

D. 219,780 1/1971 Niemann D23/238
D. 323,827 2/1992 Houg et al. D6/397

D. 348,923 7/1994 Yost D23/238
D. 370,053 5/1996 Hill et al. D23/241

Primary Examiner—Louis S. Zarfes
Assistant Examiner—Eric Watterson
Attorney, Agent, or Firm—Pandiscio & Pandiscio

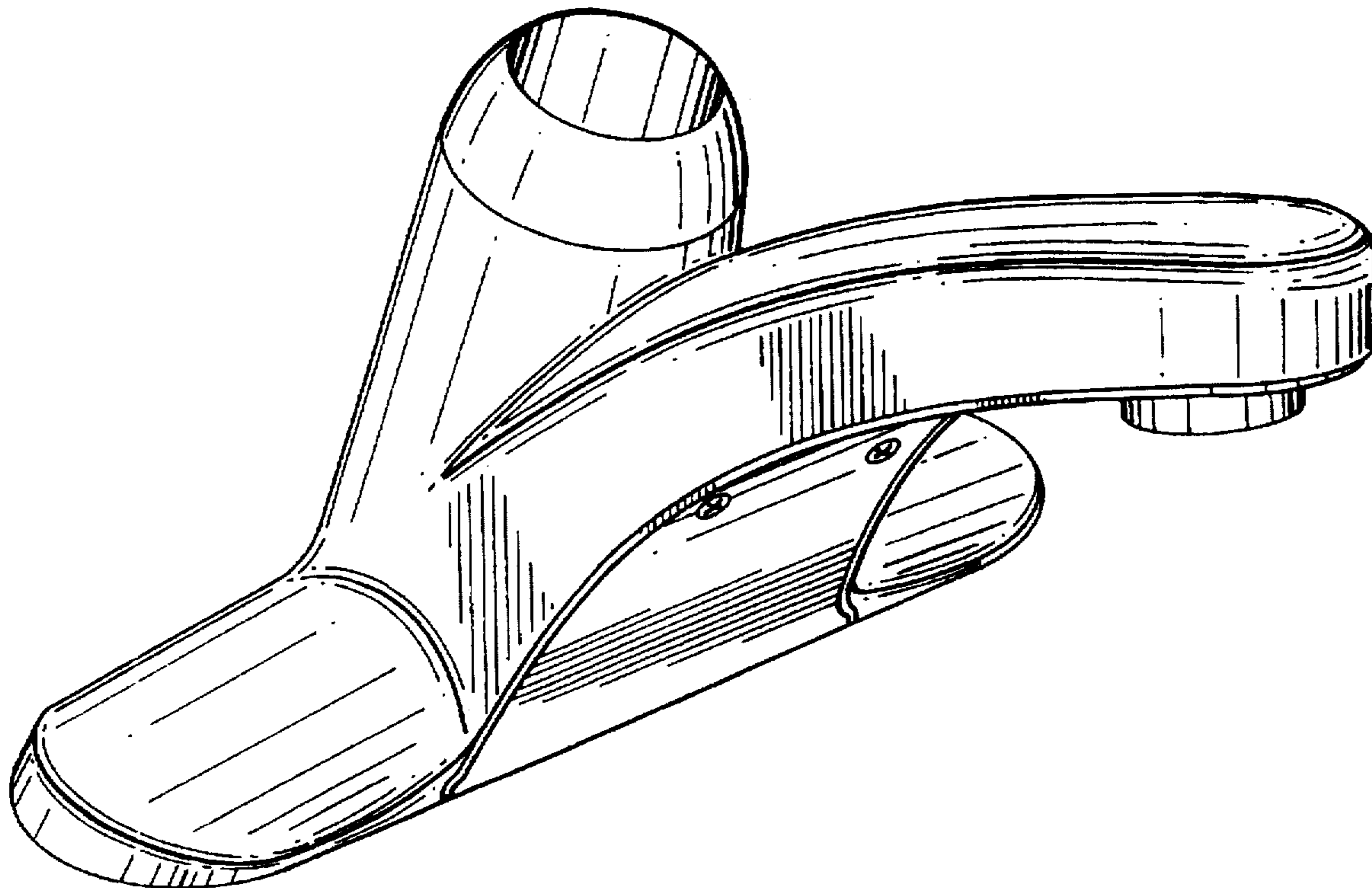
[57] **CLAIM**

The ornamental design for a faucet body, as shown and described.

DESCRIPTION

FIG. 1 is a right side view of a faucet body showing my new design;
FIG. 2 is a left side view;
FIG. 3 is a top view;
FIG. 4 is a bottom view;
FIG. 5 is a front view;
FIG. 6 is a rear view; and,
FIG. 7 is a perspective view.

1 Claim, 4 Drawing Sheets



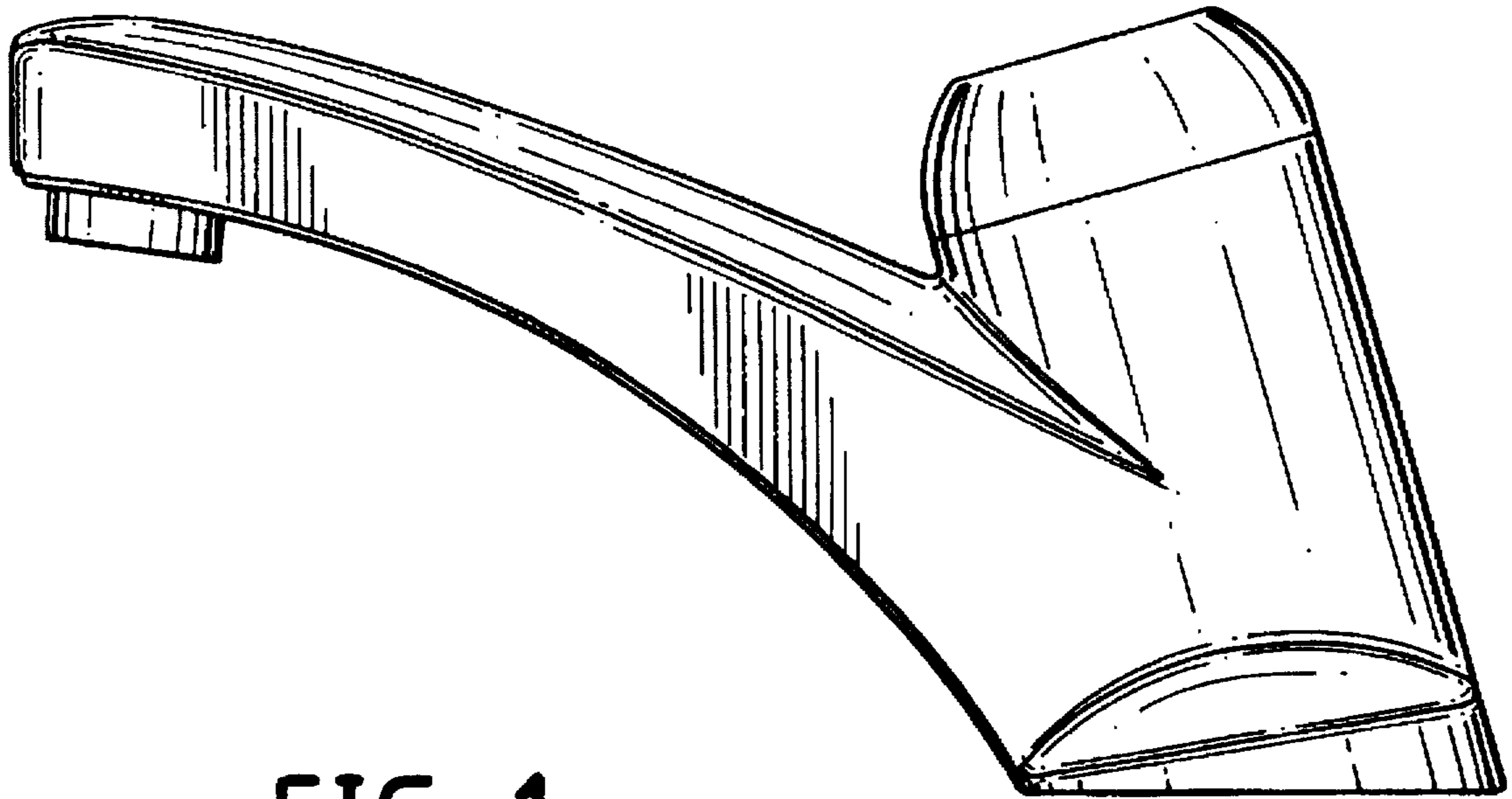


FIG. 1

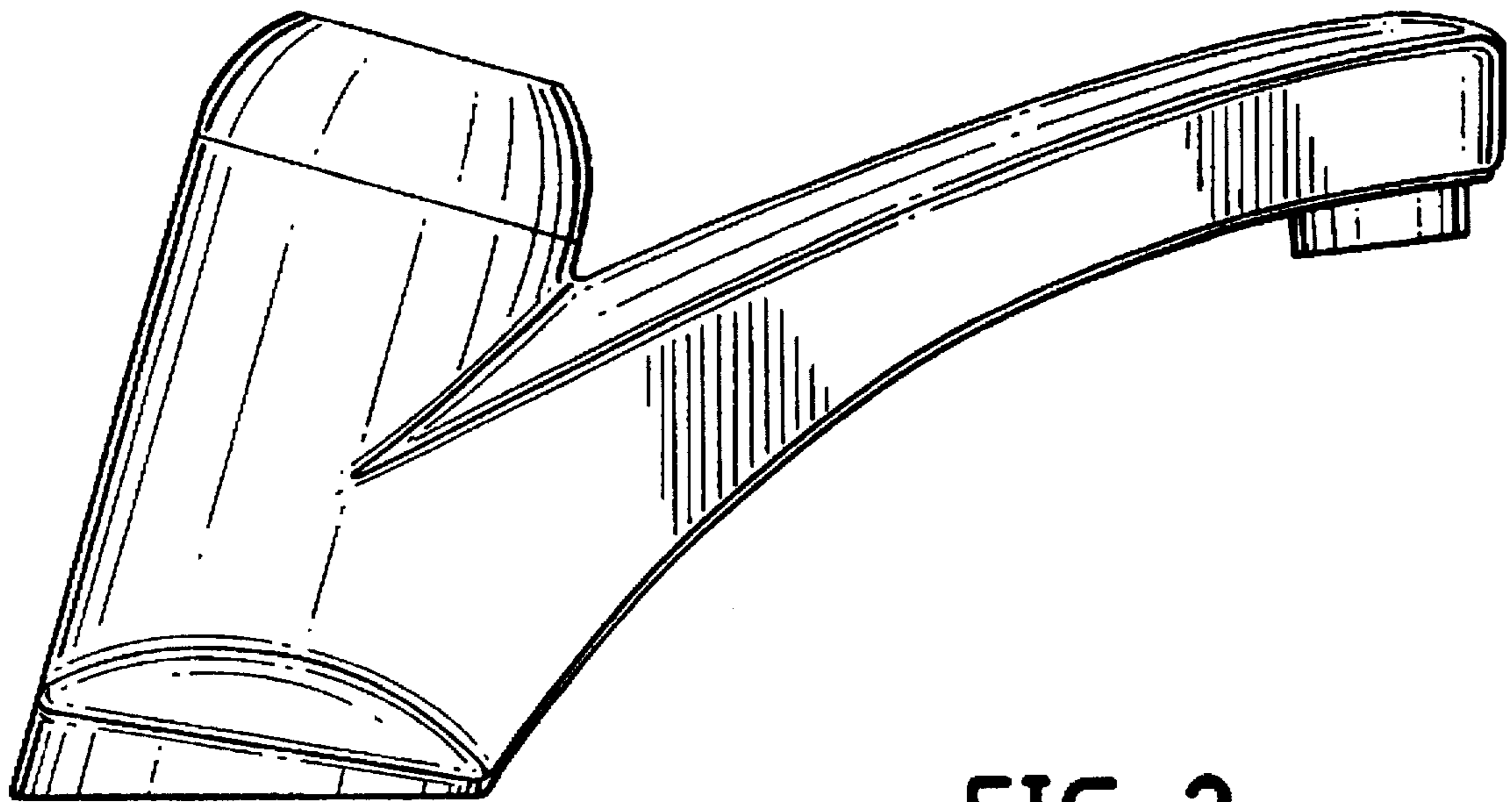


FIG. 2

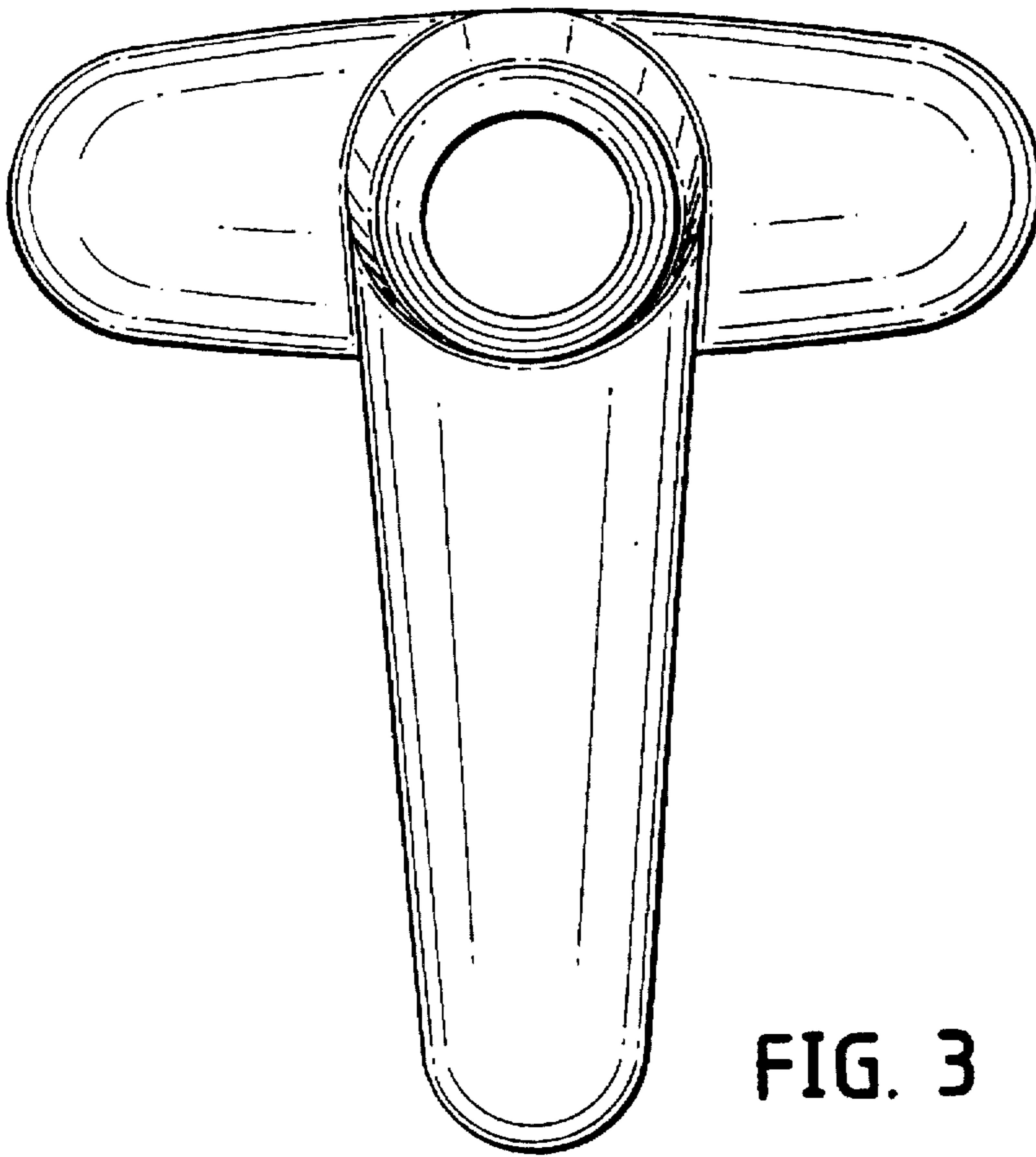


FIG. 3

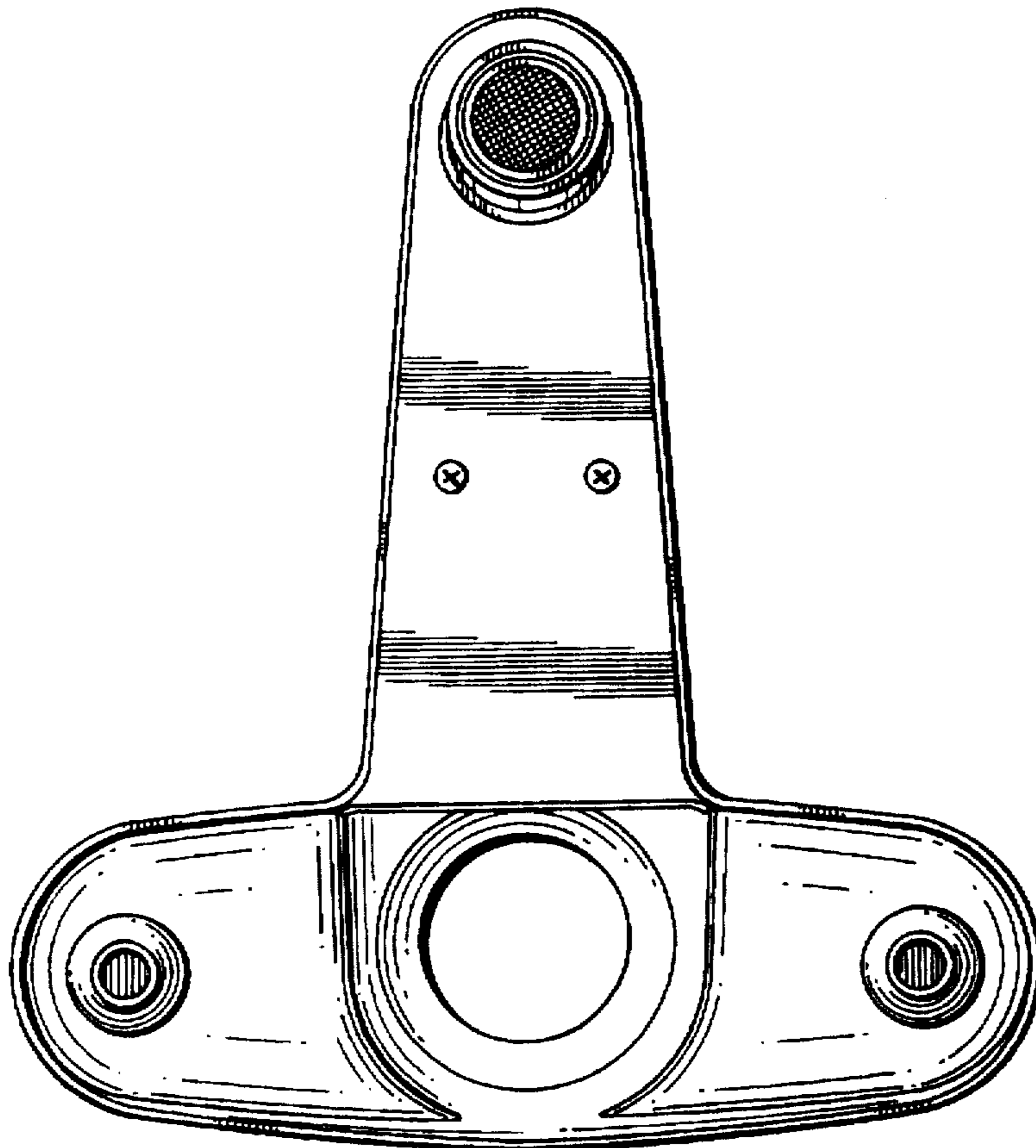


FIG. 4

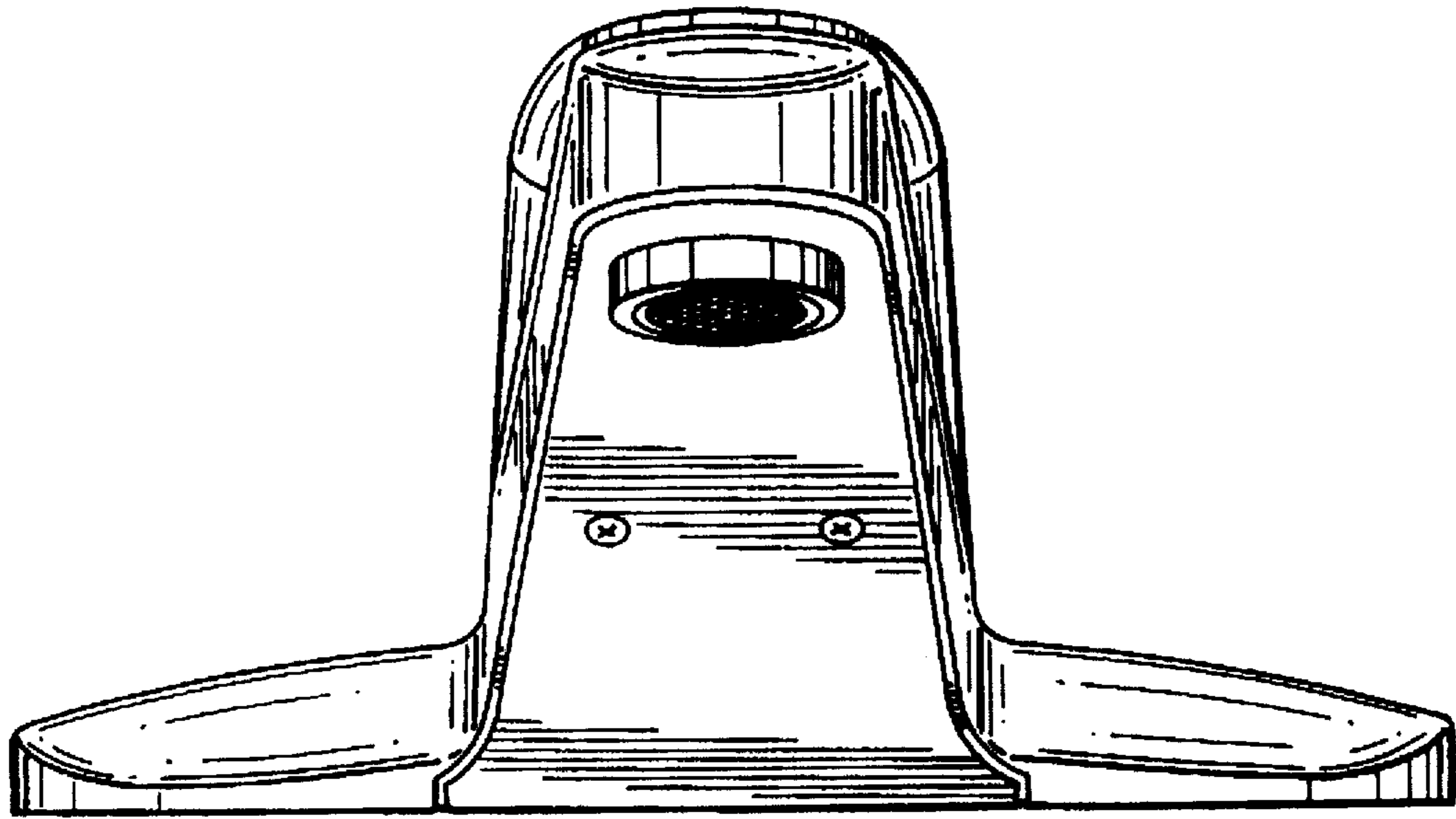


FIG. 5

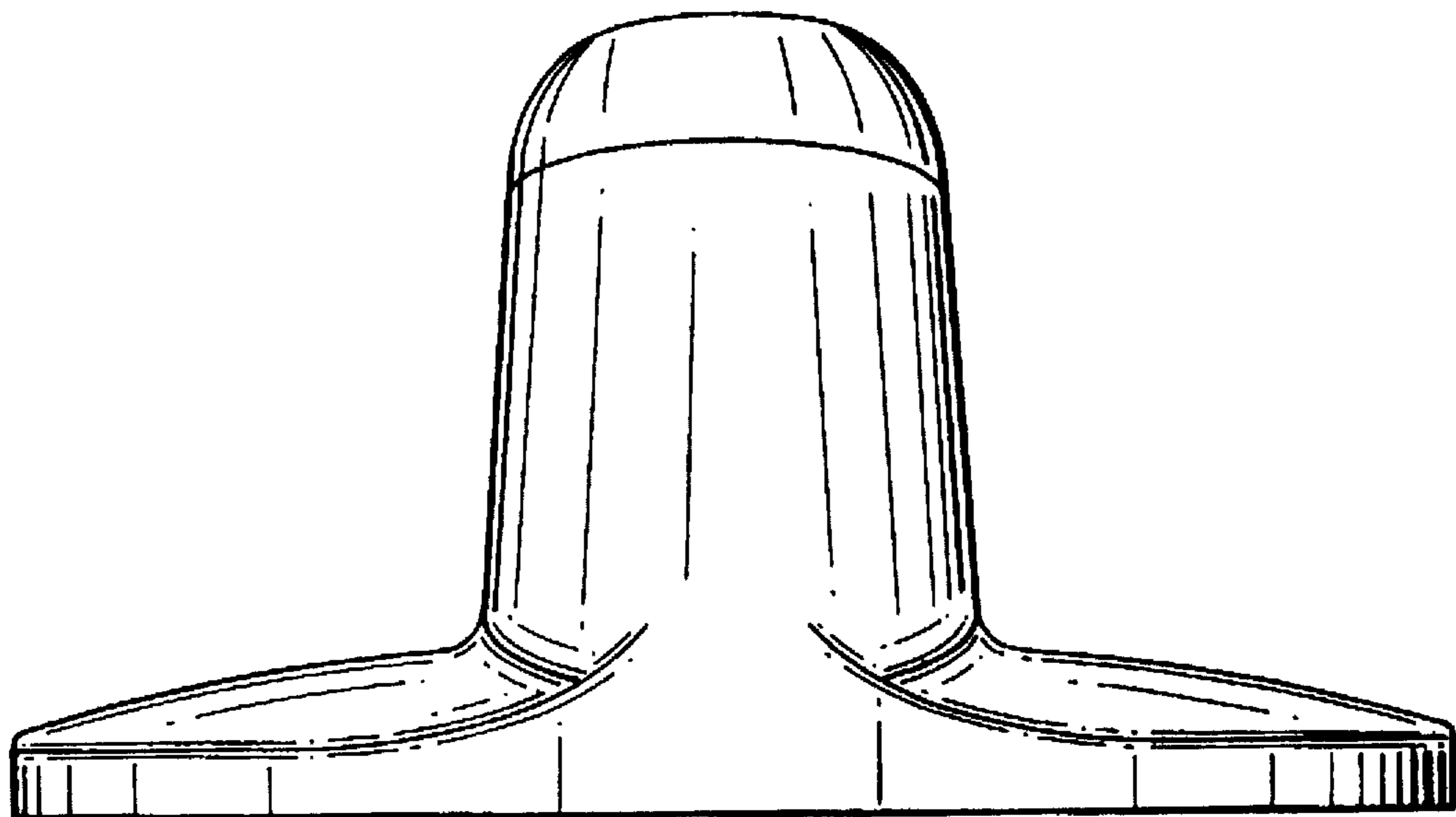


FIG. 6

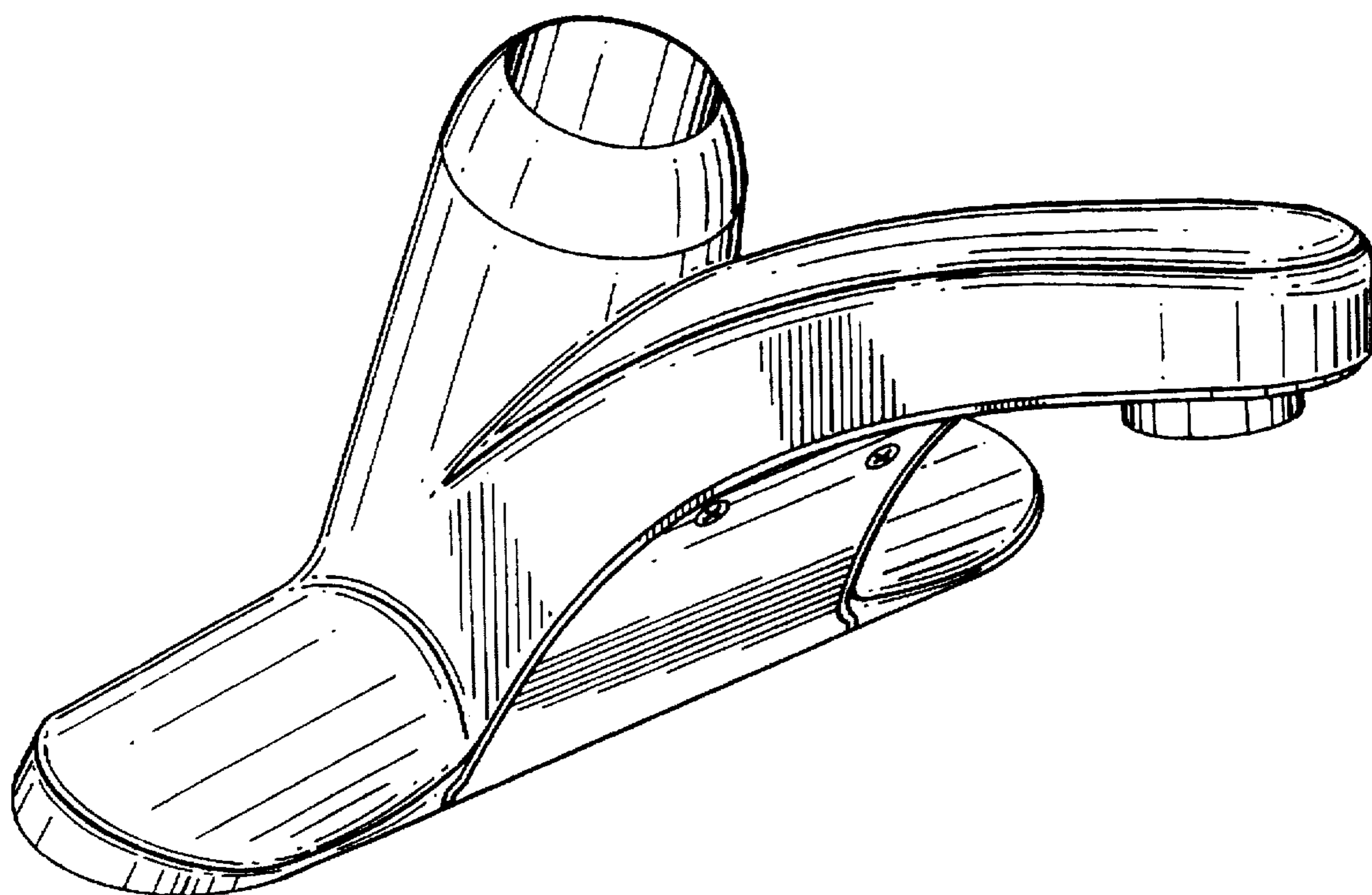


FIG. 7