



US00D388862S

United States Patent [19]
Hill et al.

[11] **Patent Number:** **Des. 388,862**
[45] **Date of Patent:** ****Jan. 6, 1998**

[54] **CENTERSET LAVATORY ESCUTCHEON**

[75] **Inventors:** **Loran R. Hill**, Indianapolis; **Anthony G. Spangler**, Greensburg, both of Ind.

[73] **Assignee:** **Masco Corporation of Indiana**, Indianapolis, Ind.

[**] **Term:** **14 Years**

[21] **Appl. No.:** **59,055**

[22] **Filed:** **Aug. 30, 1996**

[51] **LOC (6) Cl.** **23-01**

[52] **U.S. Cl.** **D23/238**

[58] **Field of Search** **D23/238-243,**
D23/250-257; 4/675-678; 137/801

[56] **References Cited**

U.S. PATENT DOCUMENTS

D. 323,549	1/1992	Haus et al.	D23/238
D. 323,877	2/1992	Haus et al.	D23/238
D. 347,466	5/1994	Kolada et al.	D23/238
D. 348,923	7/1994	Yost	D23/238

Primary Examiner—Louis S. Zarfaz
Assistant Examiner—Eric Watterson
Attorney, Agent, or Firm—Myron B. Kapustij; Malcolm L. Sutherland

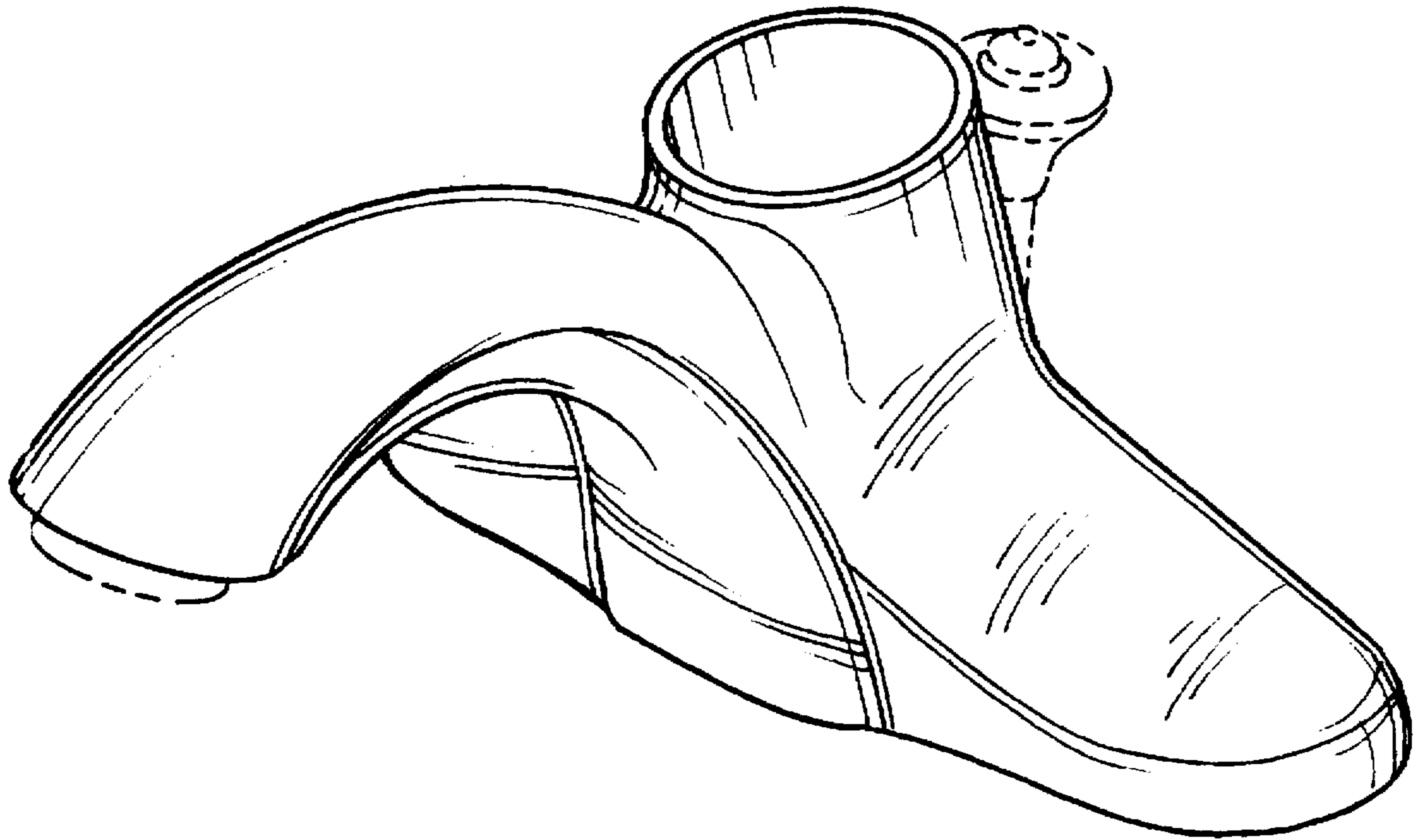
[57] **CLAIM**

The ornamental design for a centerset lavatory escutcheon, as shown and described.

DESCRIPTION

FIG. 1 is a top perspective view of a centerset lavatory escutcheon showing our new design; FIG. 2 is a front elevational view thereof; FIG. 3 is a top plan view thereof; FIG. 4 is a left side elevational view thereof; the right side being a mirror image; FIG. 5 is a rear elevational view thereof; and, FIG. 6 is a bottom plan view thereof. The broken line showing of an aerator in FIGS. 1, 2, 4 and 6, of the lift rod in FIGS. 1, 3, 4, 5 and 6, and of the water aperture in FIG. 6 are for purposes of illustration only and form no part of the claimed design.

1 Claim, 3 Drawing Sheets



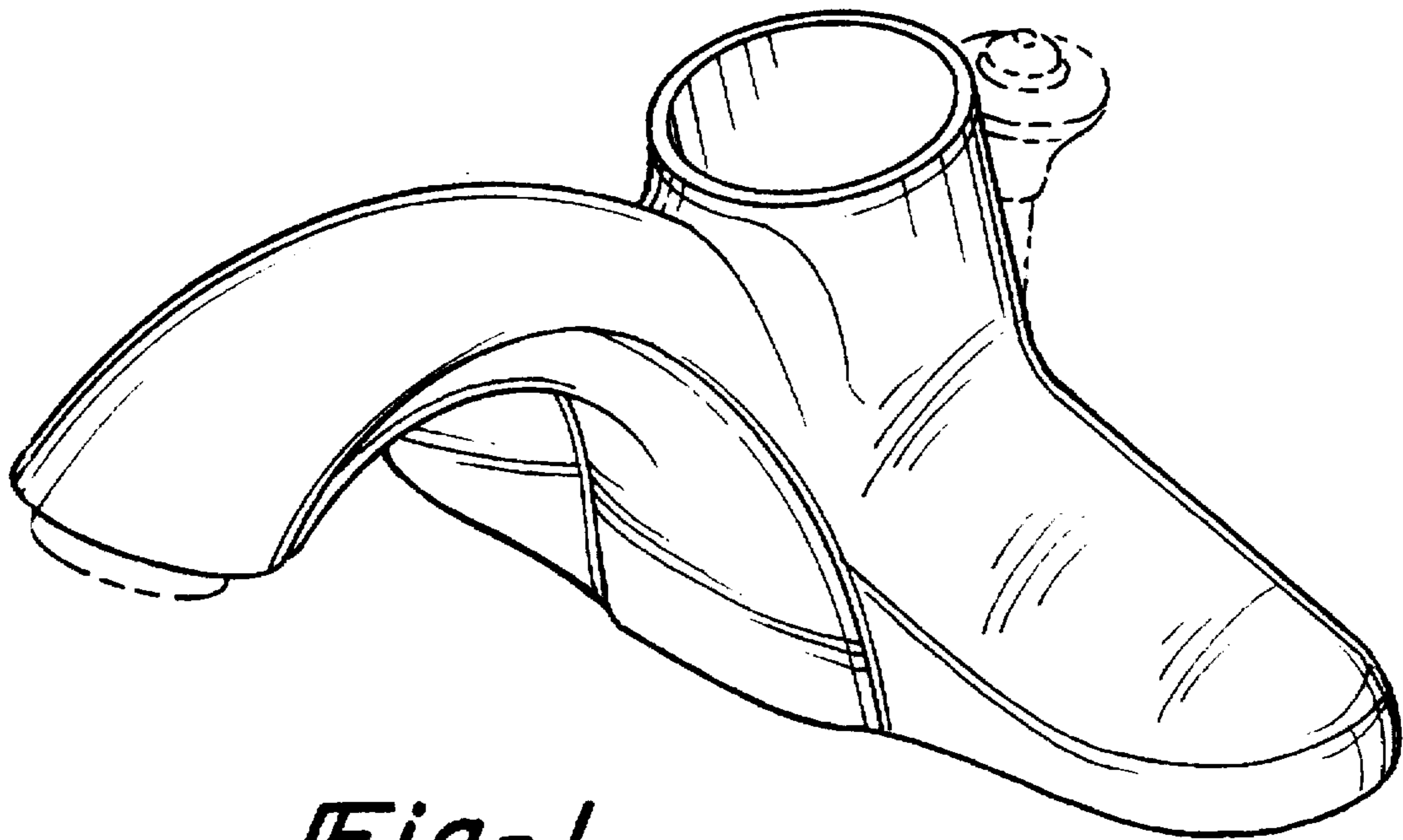


Fig-1

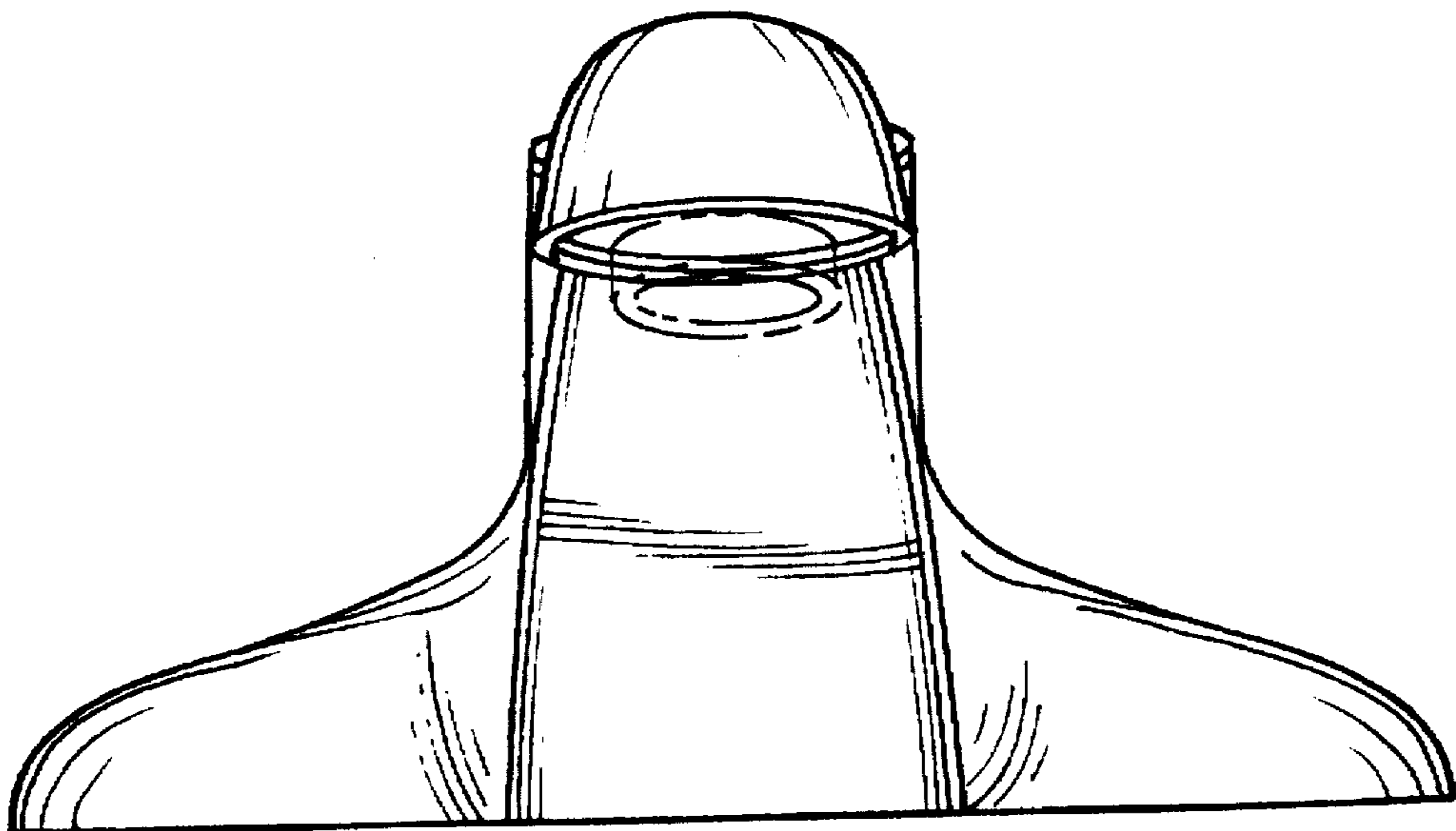


Fig-2

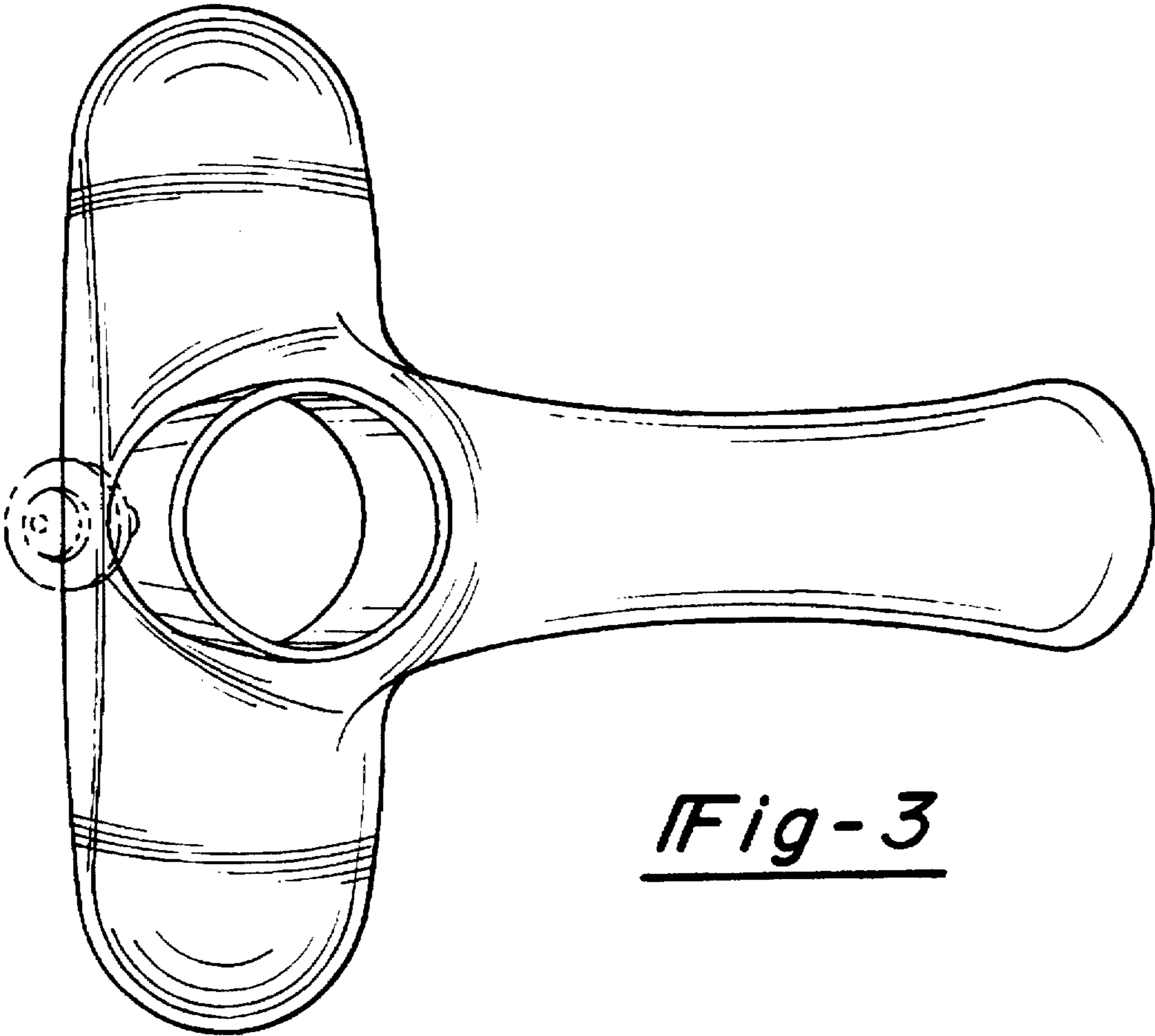


Fig-3

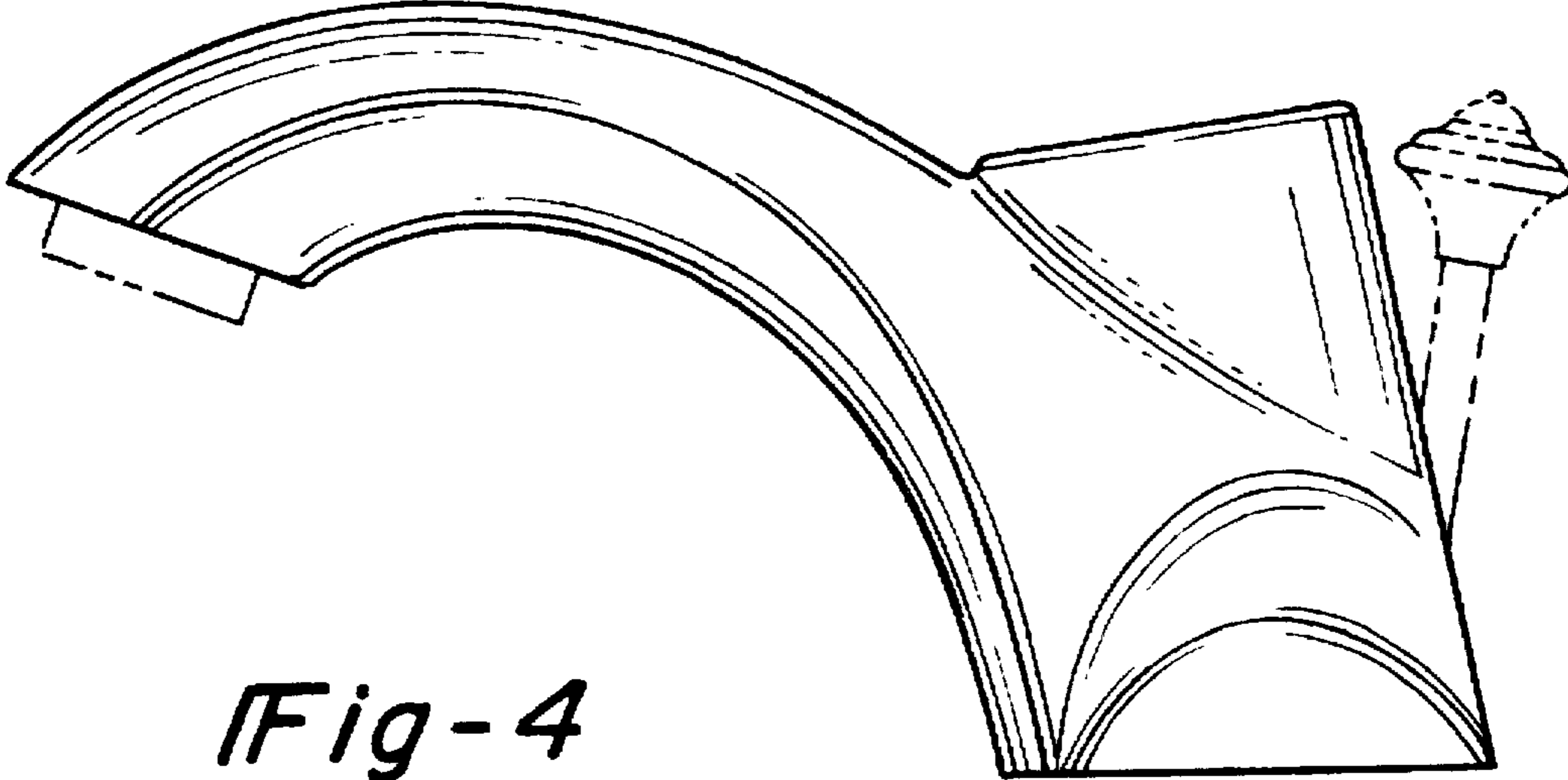


Fig-4

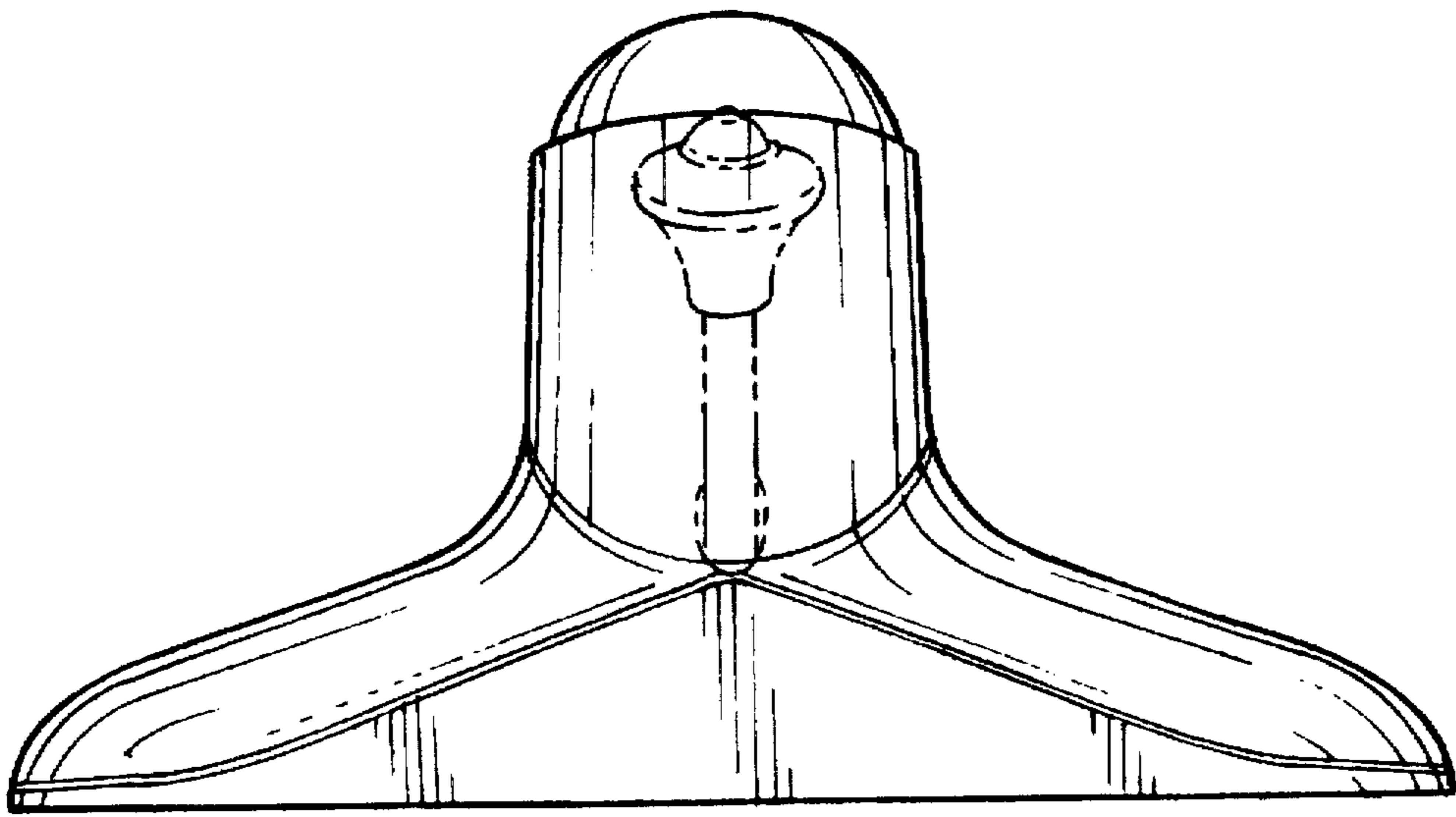


Fig-5

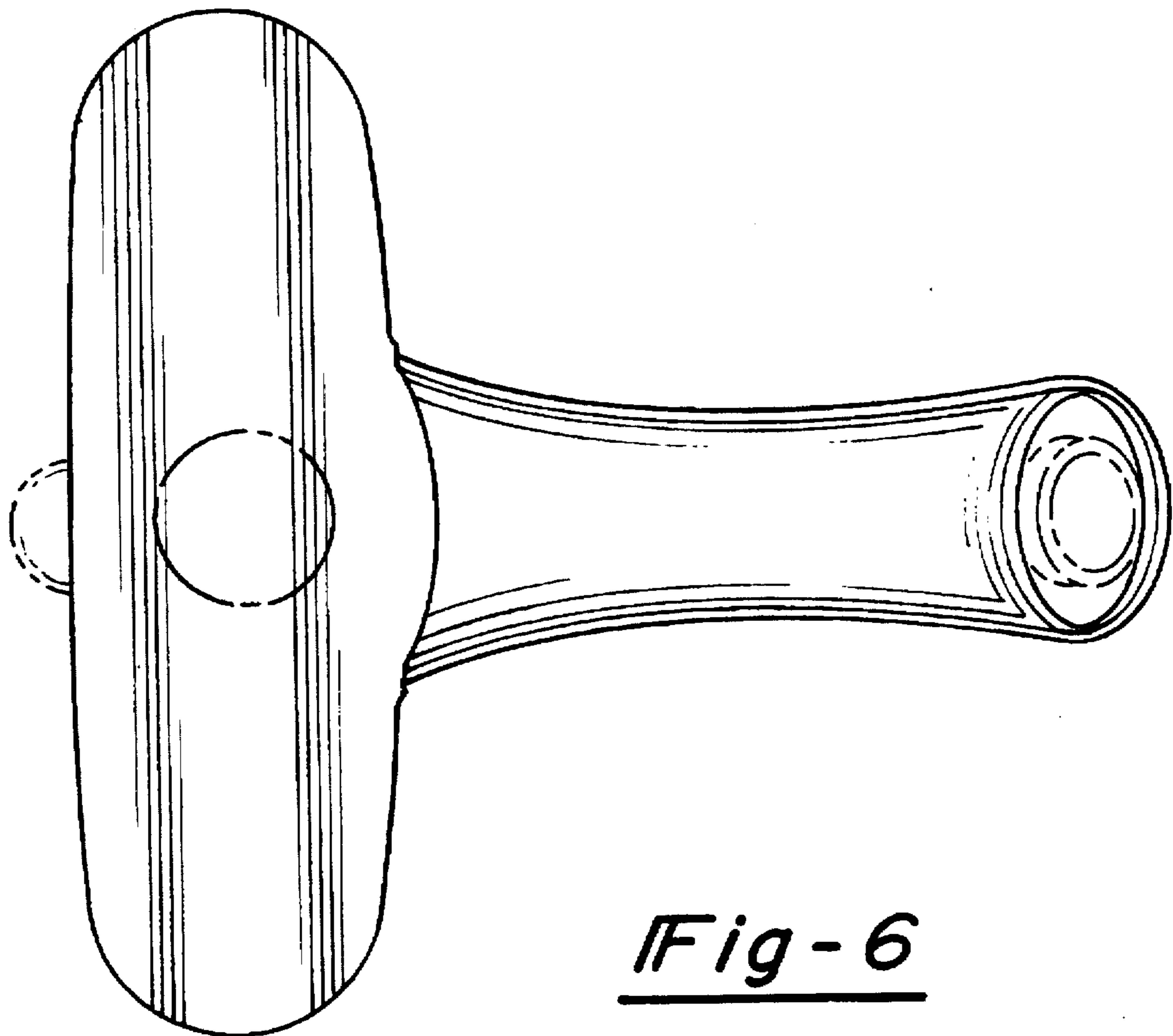


Fig-6