



US00D388860S

# United States Patent [19] Iwabuchi

[11] Patent Number: **Des. 388,860**  
[45] Date of Patent: **\*\*Jan. 6, 1998**

[54] **SPINNING REEL FOR FISHING**

[75] Inventor: **Masakazu Iwabuchi, Sakai, Japan**

[73] Assignee: **Shimano, Inc., Japan**

[\*\*] Term: **14 Years**

[21] Appl. No.: **62,586**

[22] Filed: **Nov. 19, 1996**

[30] **Foreign Application Priority Data**

Jun. 14, 1996 [JP] Japan ..... 8-17451

[51] LOC (6) Cl. .... **22-05**

[52] U.S. Cl. .... **D22/141**

[58] Field of Search ..... D22/141, 140;  
242/230, 231, 232, 233, 245, 246, 257-262,  
234, 238, 247

[56] **References Cited**

**U.S. PATENT DOCUMENTS**

D. 300,054 2/1989 Hiraishi et al. .... D22/141  
D. 327,312 6/1992 Myojo ..... D22/141  
D. 352,760 11/1994 Terada et al. .... D22/141  
D. 352,761 11/1994 Sakurai ..... D11/141

D. 352,763 11/1994 Myojo et al. .... D22/141  
D. 369,642 5/1996 Iwabuchi ..... D22/140

**OTHER PUBLICATIONS**

Cabela's Feb. 1991, back cover, Garcia Gold Max Spinning Reel.

Cabela's 1991 Spring, p. 221, Shimano Aero Stradic Reel.

*Primary Examiner*—Doris V. Coles

*Attorney, Agent, or Firm*—Woodling, Krost & Rust

[57] **CLAIM**

The ornamental design for a spinning reel for fishing, as shown and described.

**DESCRIPTION**

FIG. 1 is a top, front perspective view of a spinning reel for fishing, showing my design;

FIG. 2 is a top, rear perspective view thereof;

FIG. 3 is a front view thereof;

FIG. 4 is a rear view thereof;

FIG. 5 is a top view thereof;

FIG. 6 is a bottom view thereof;

FIG. 7 is a left side view thereof; and,

FIG. 8 is a right side view thereof.

**1 Claim, 8 Drawing Sheets**

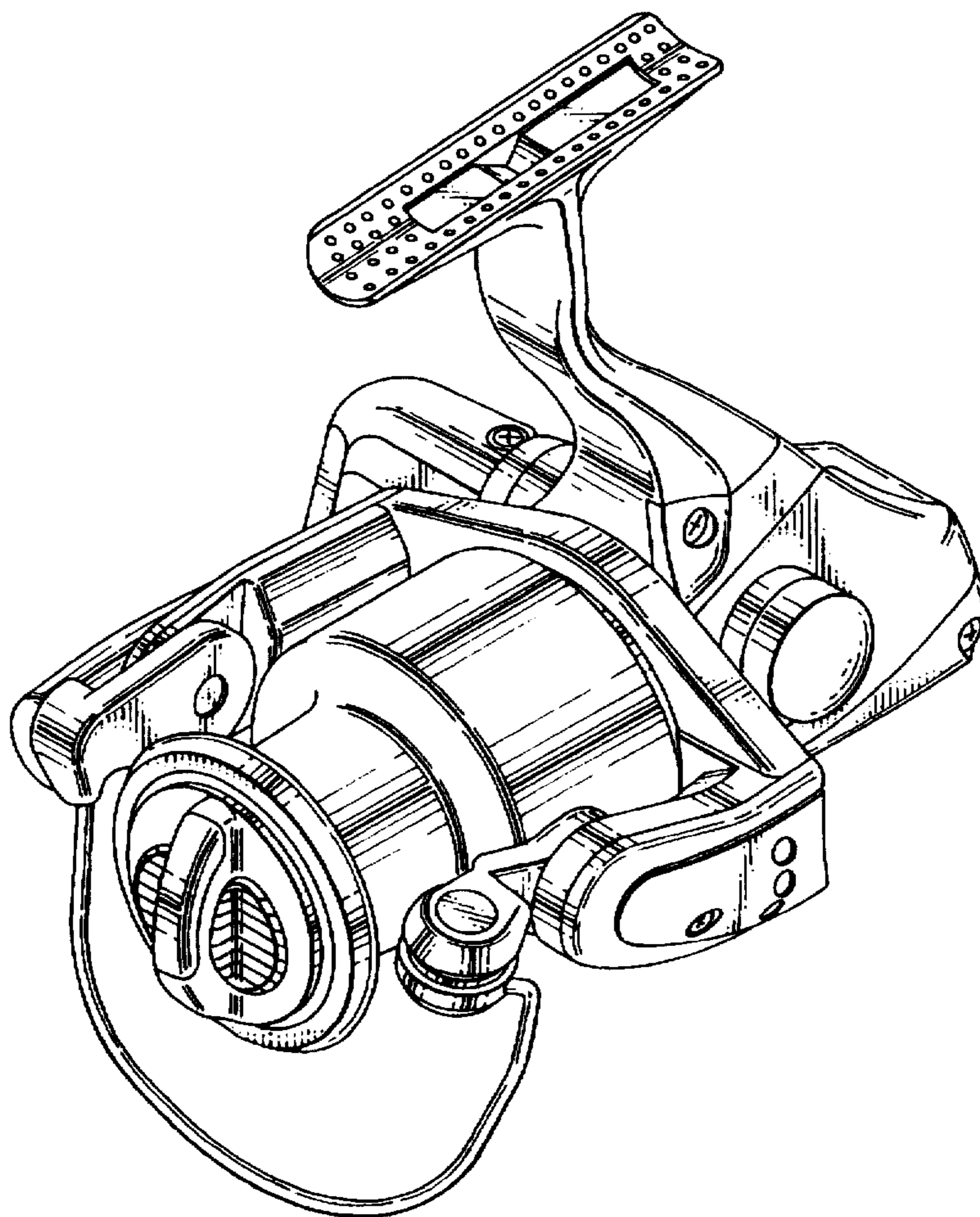


FIG. 1

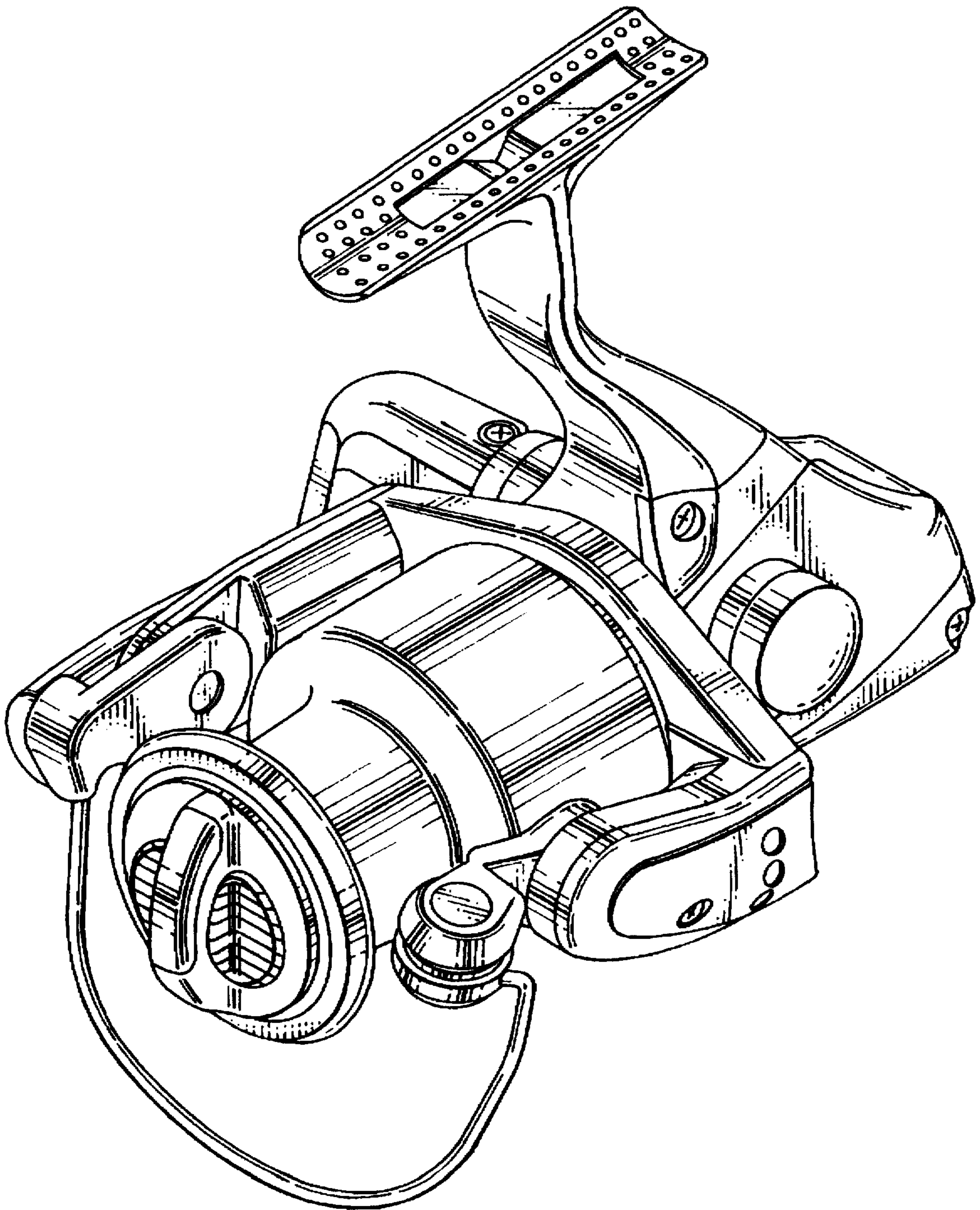




FIG. 2

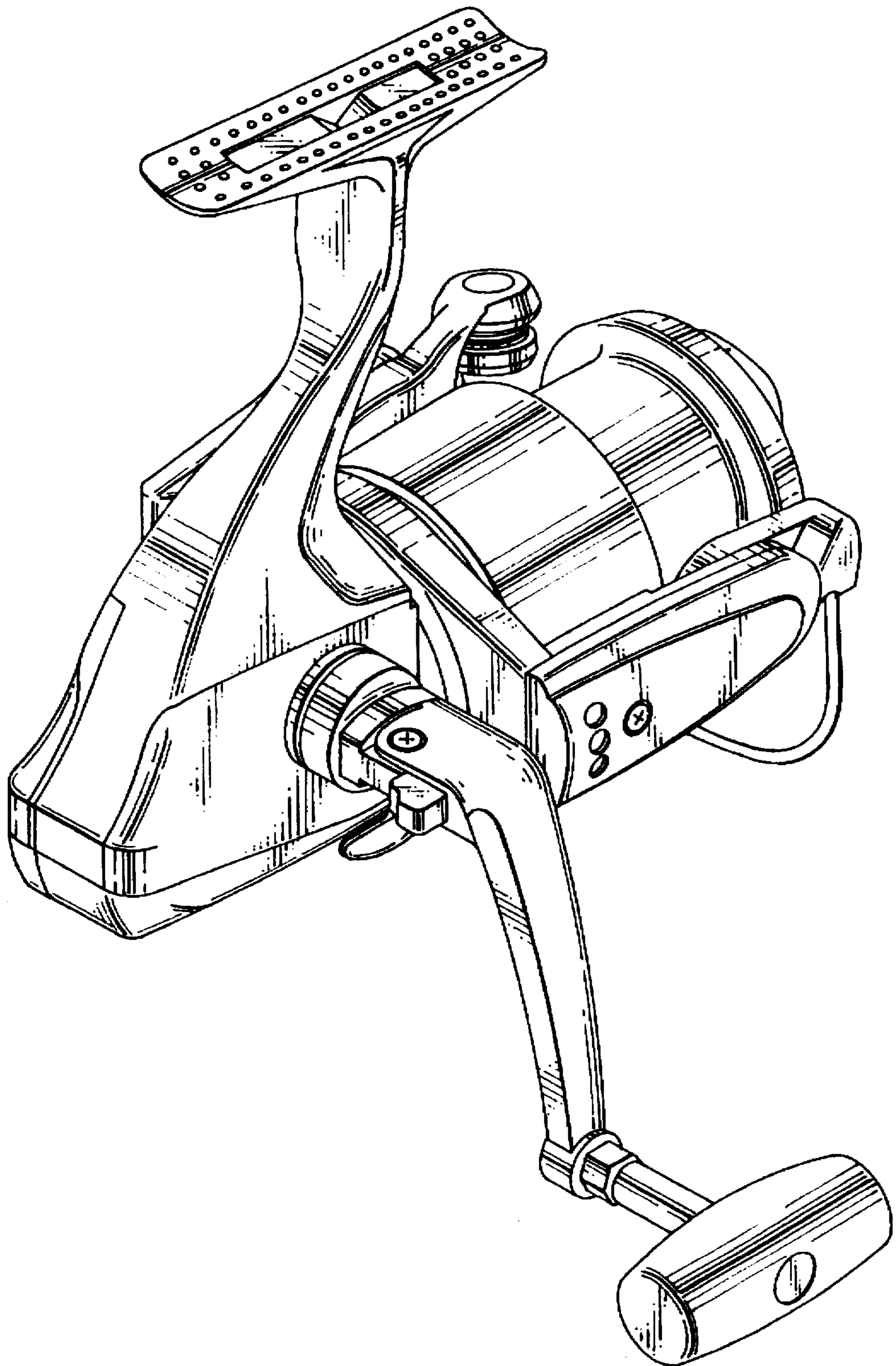


FIG. 3

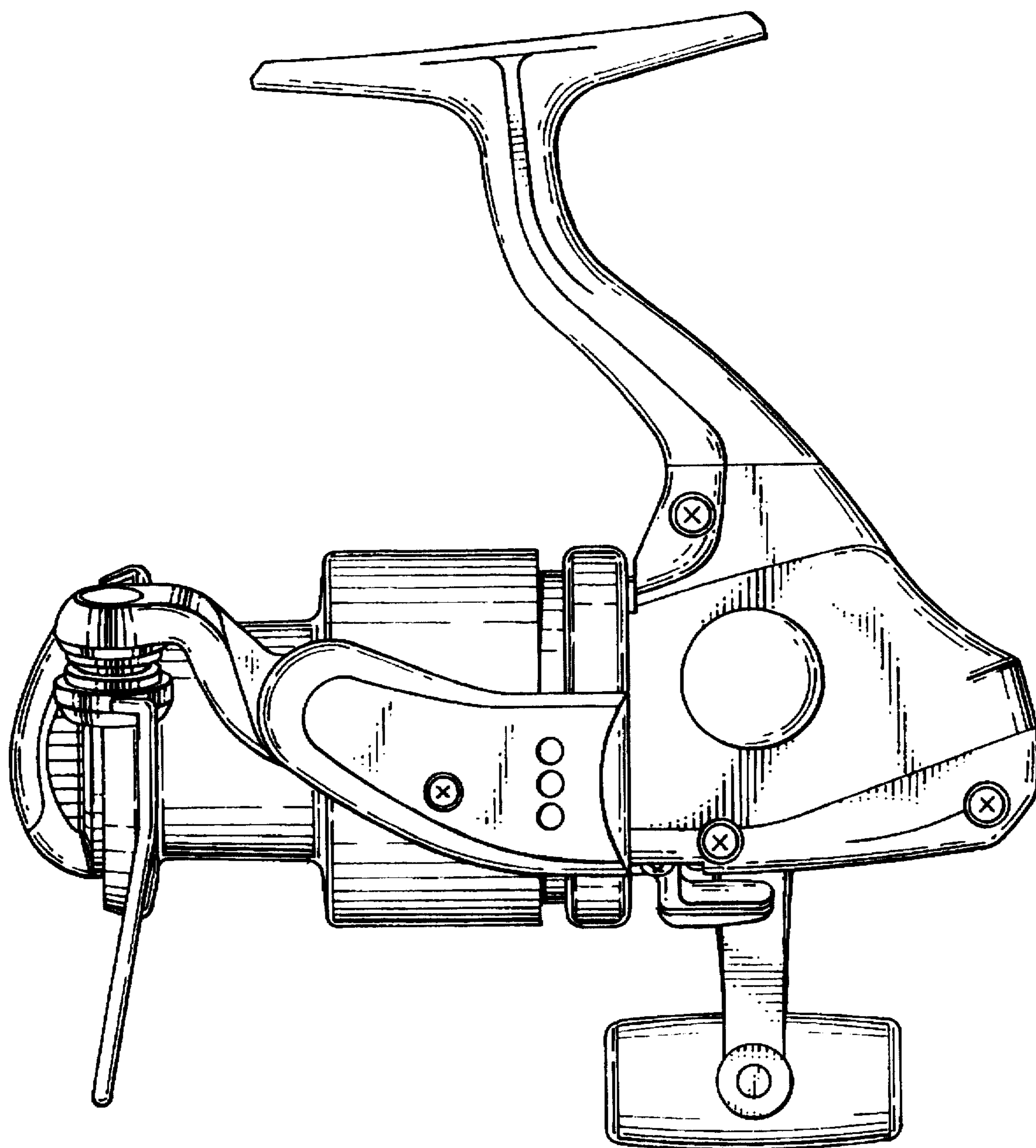


FIG. 4

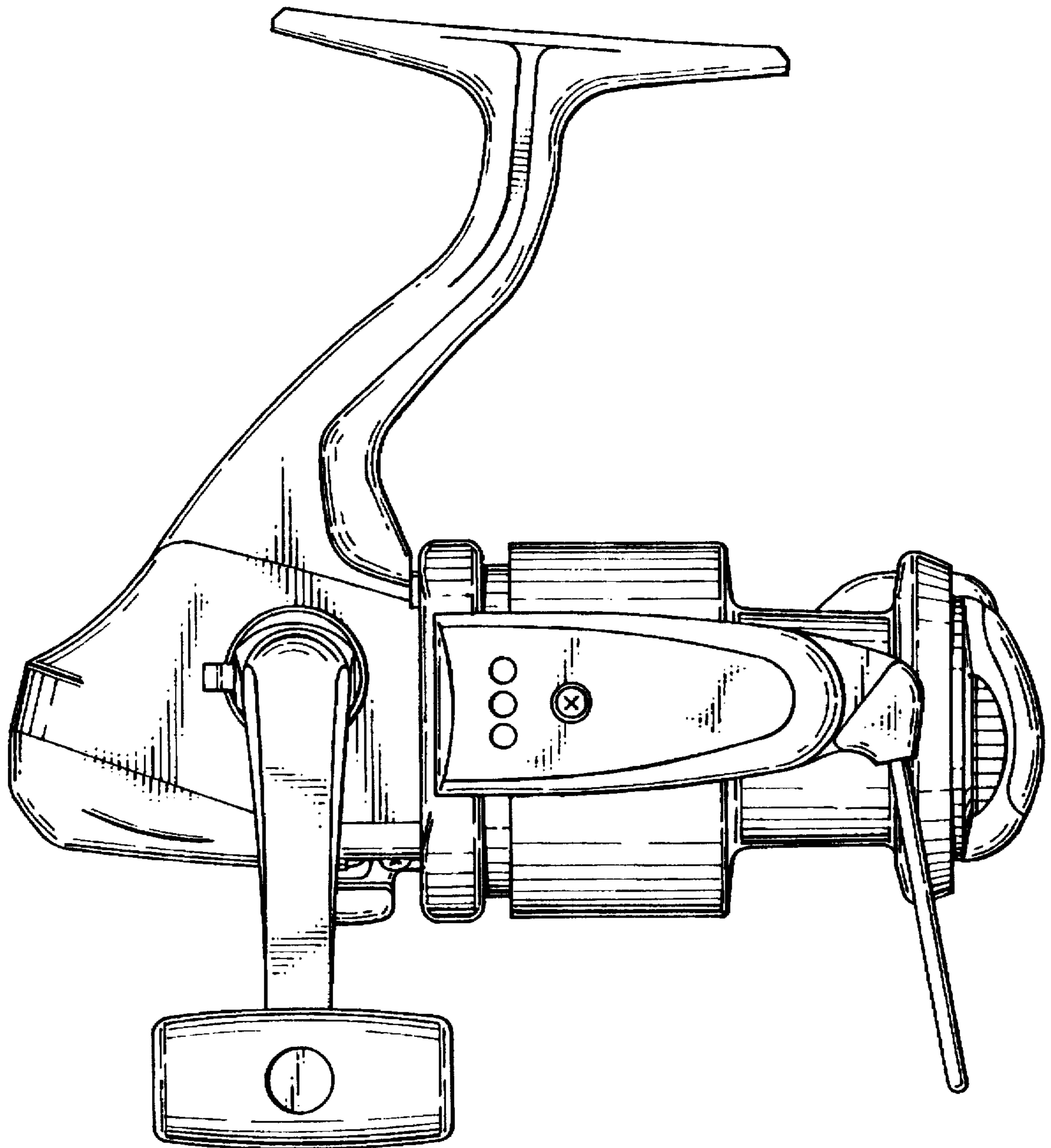


FIG. 5

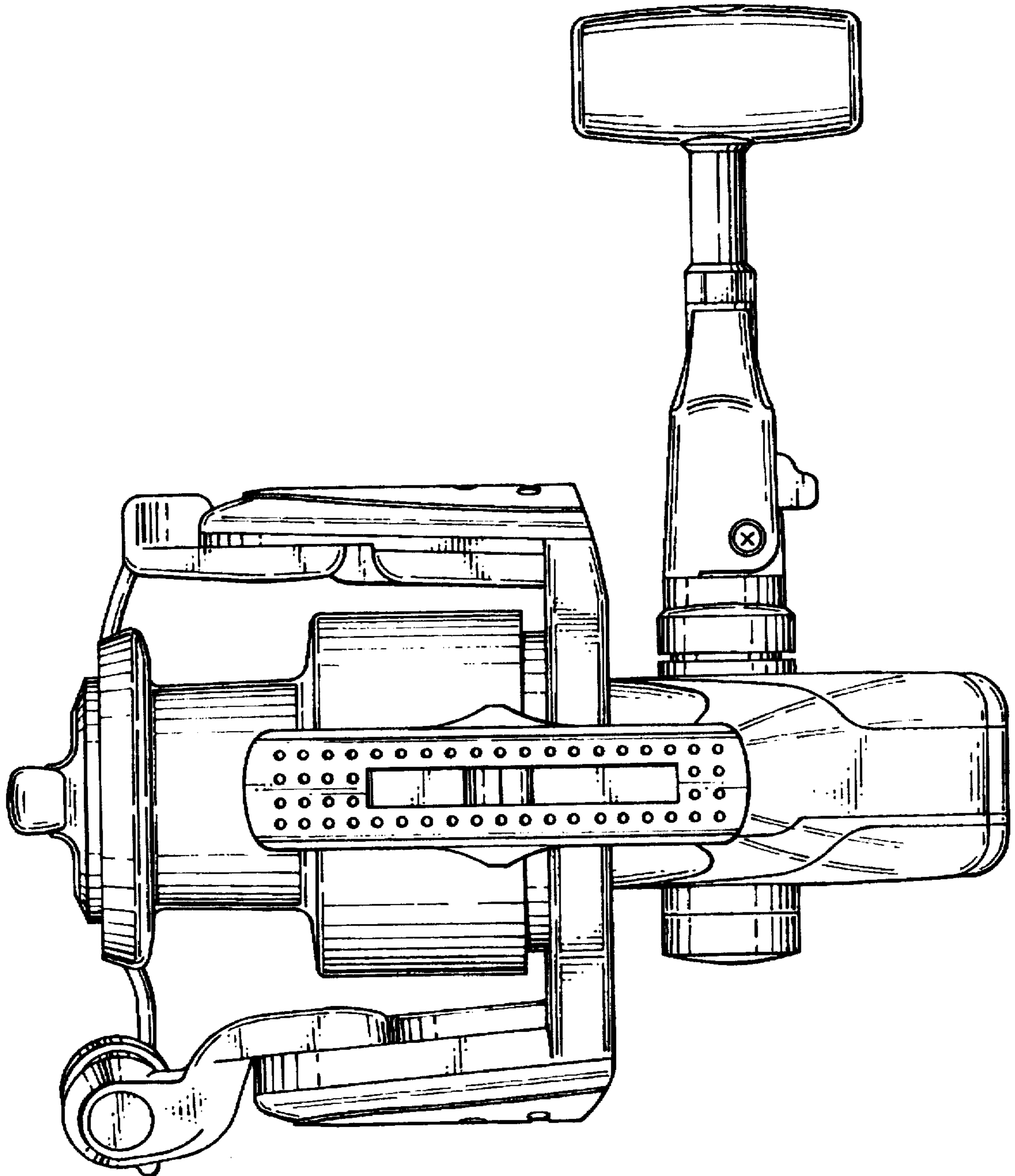




FIG. 6

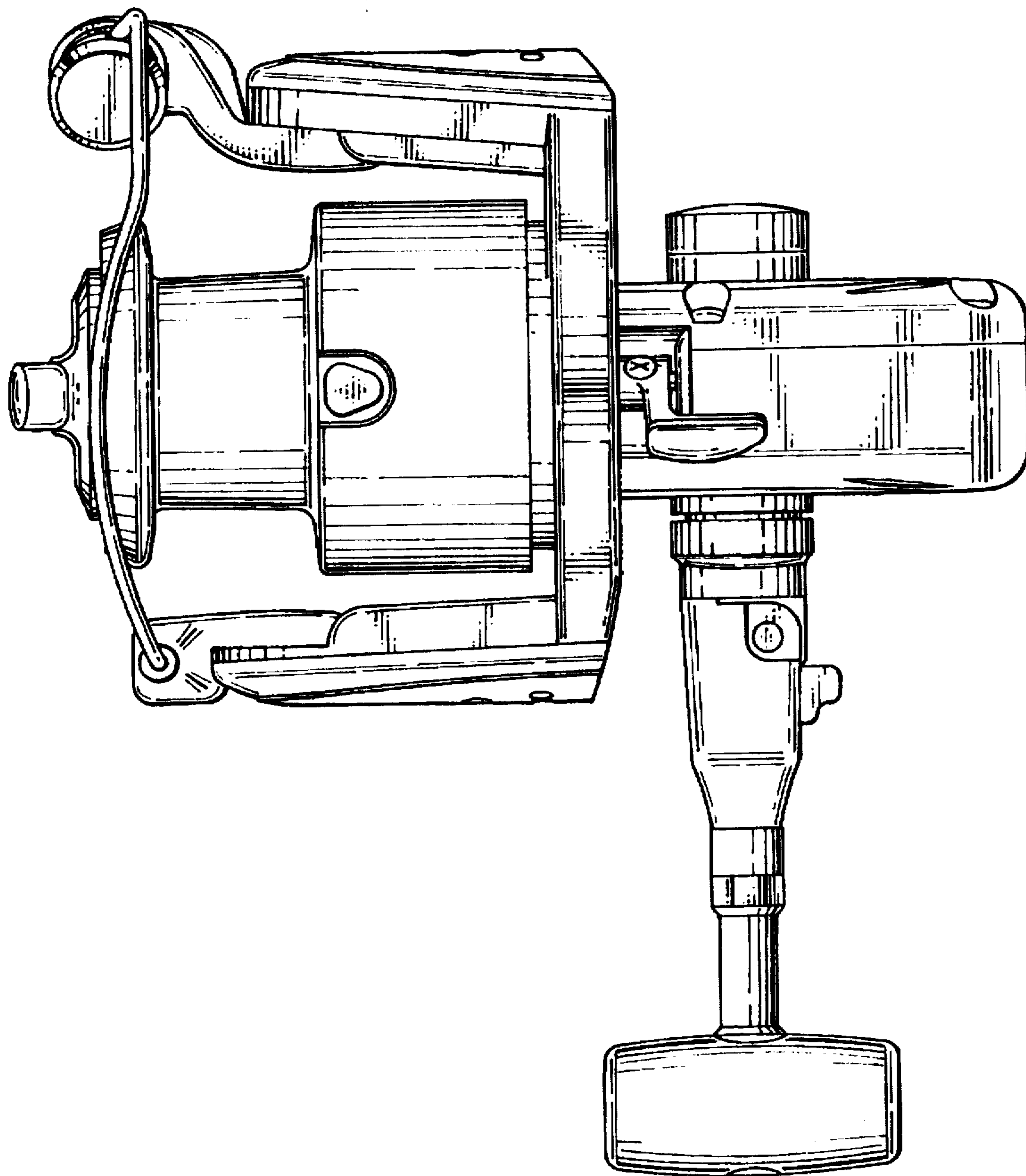


FIG. 7

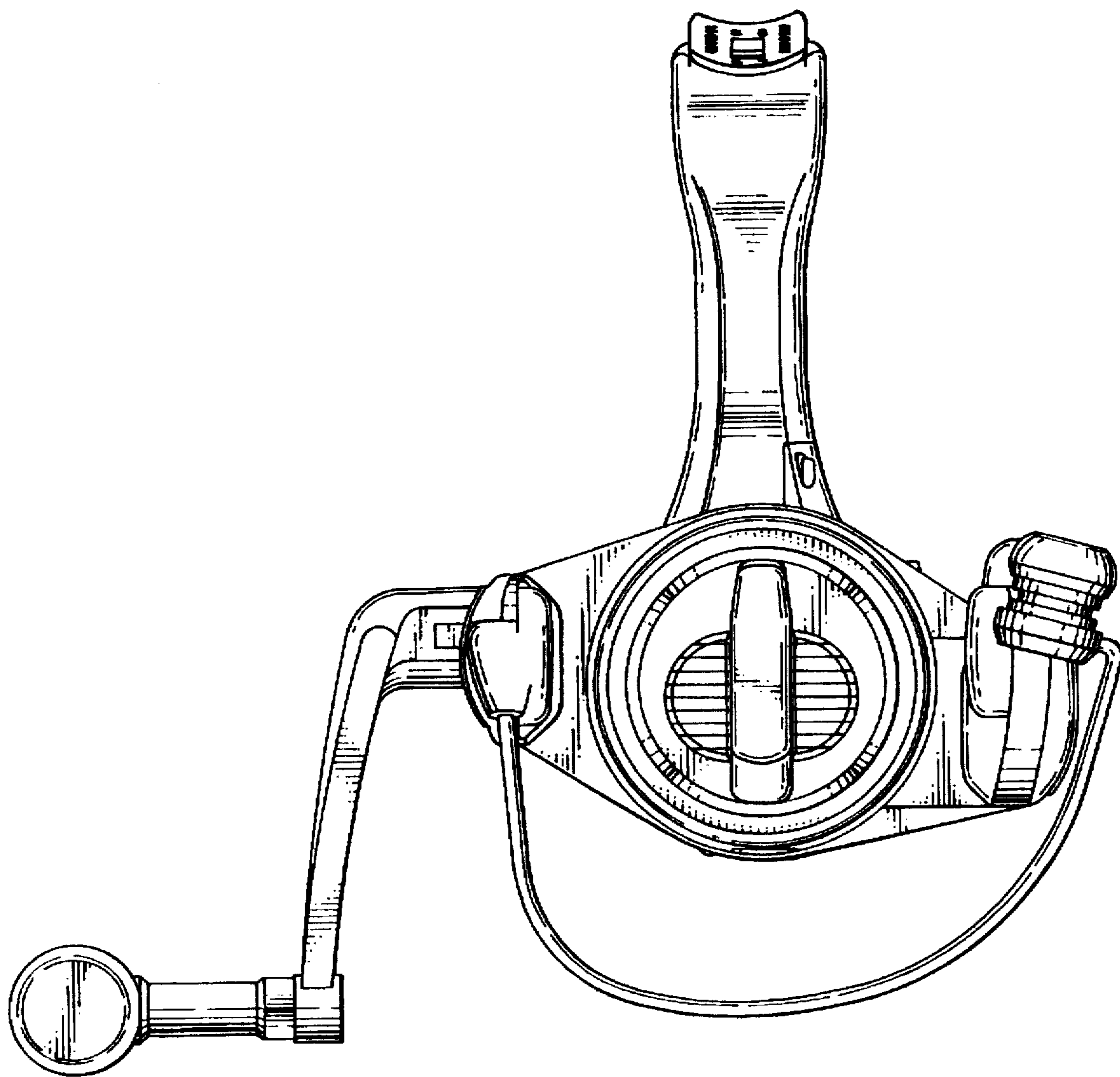




FIG. 8

