



US00D388859S

United States Patent [19]
Carroll, Jr.

[11] **Patent Number:** **Des. 388,859**
[45] **Date of Patent:** ****Jan. 6, 1998**

[54] **TICK REMOVER**
[75] **Inventor:** **James J. Carroll, Jr., Phila., Pa.**
[73] **Assignee:** **Engineered Pet Products, Inc. (EPP), Philadelphia, Pa.**
[**] **Term:** **14 Years**
[21] **Appl. No.:** **40,470**
[22] **Filed:** **Jun. 19, 1995**
[51] **LOC (6) Cl.** **22-06**
[52] **U.S. Cl.** **D22/122**
[58] **Field of Search** **D22/119, 199, D22/122; D28/55; 606/131, 133, 210; 294/99.2, 100**

4,303,268 12/1981 Davidson 606/210 X
4,976,718 12/1990 Daniell 606/210 X
5,002,323 3/1991 Idsund 606/210 X
5,078,729 1/1992 Eichhorn 606/210
5,116,347 5/1992 Butler 606/210
5,380,339 1/1995 Webster 606/210 X

Primary Examiner—Doris V. Coles
Attorney, Agent, or Firm—Jim Zegeer, Esq.

[57] **CLAIM**

The ornamental design for a tick remover, as shown and described.

DESCRIPTION

FIG. 1 is a perspective view of a tick remover in the folded position, showing my new design;
FIG. 2 is a right side elevational view in the open position, the left side being a mirror image thereof;
FIG. 3 is a bottom plan view thereof; and,
FIG. 4 is a top plan view thereof.

[56] **References Cited**

U.S. PATENT DOCUMENTS

D. 272,664 2/1984 Jones D28/55
D. 332,988 2/1993 Pacenti D22/122 X
3,906,957 9/1975 Weston D28/55 X

1 Claim, 2 Drawing Sheets

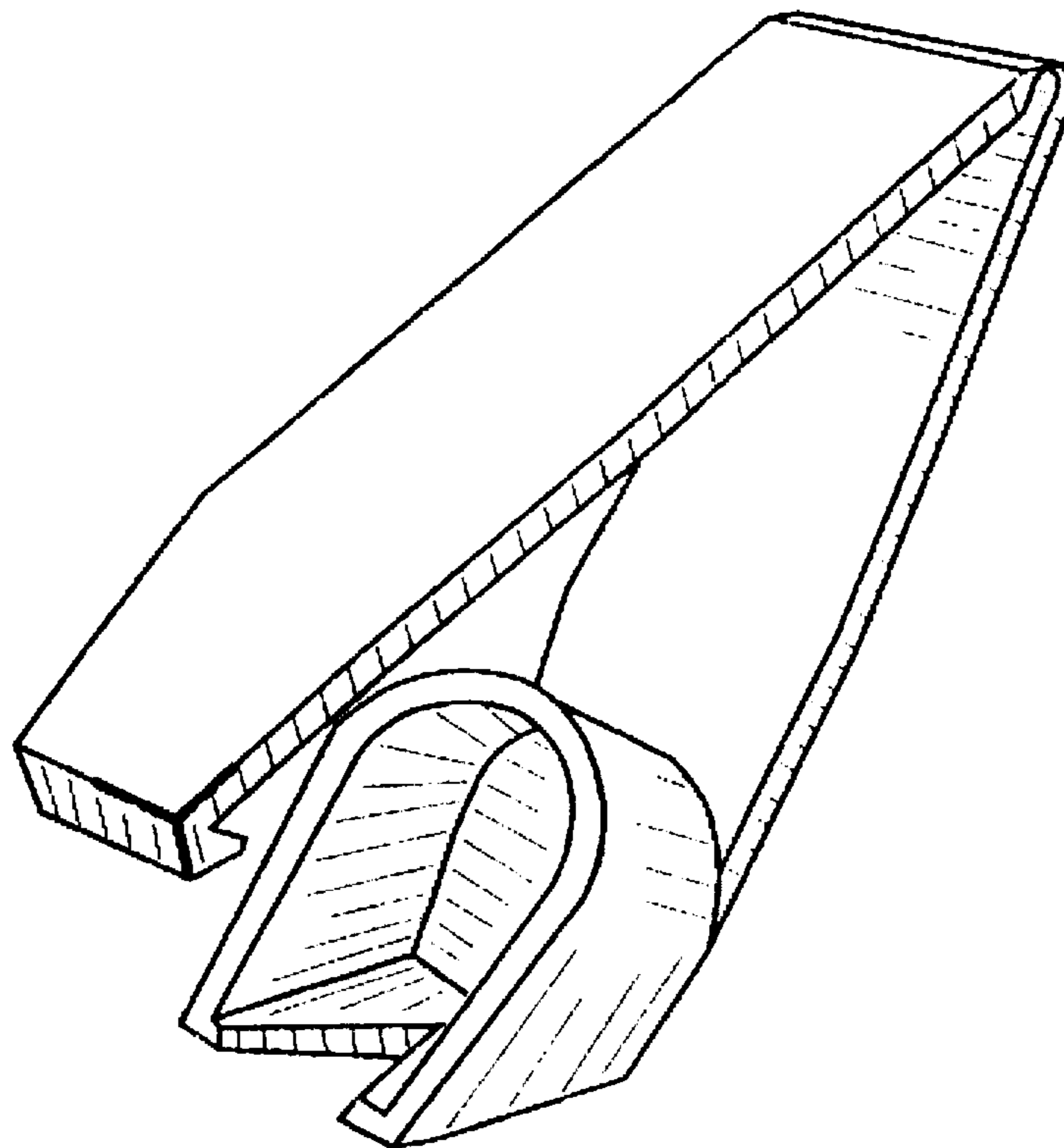


FIG. 1

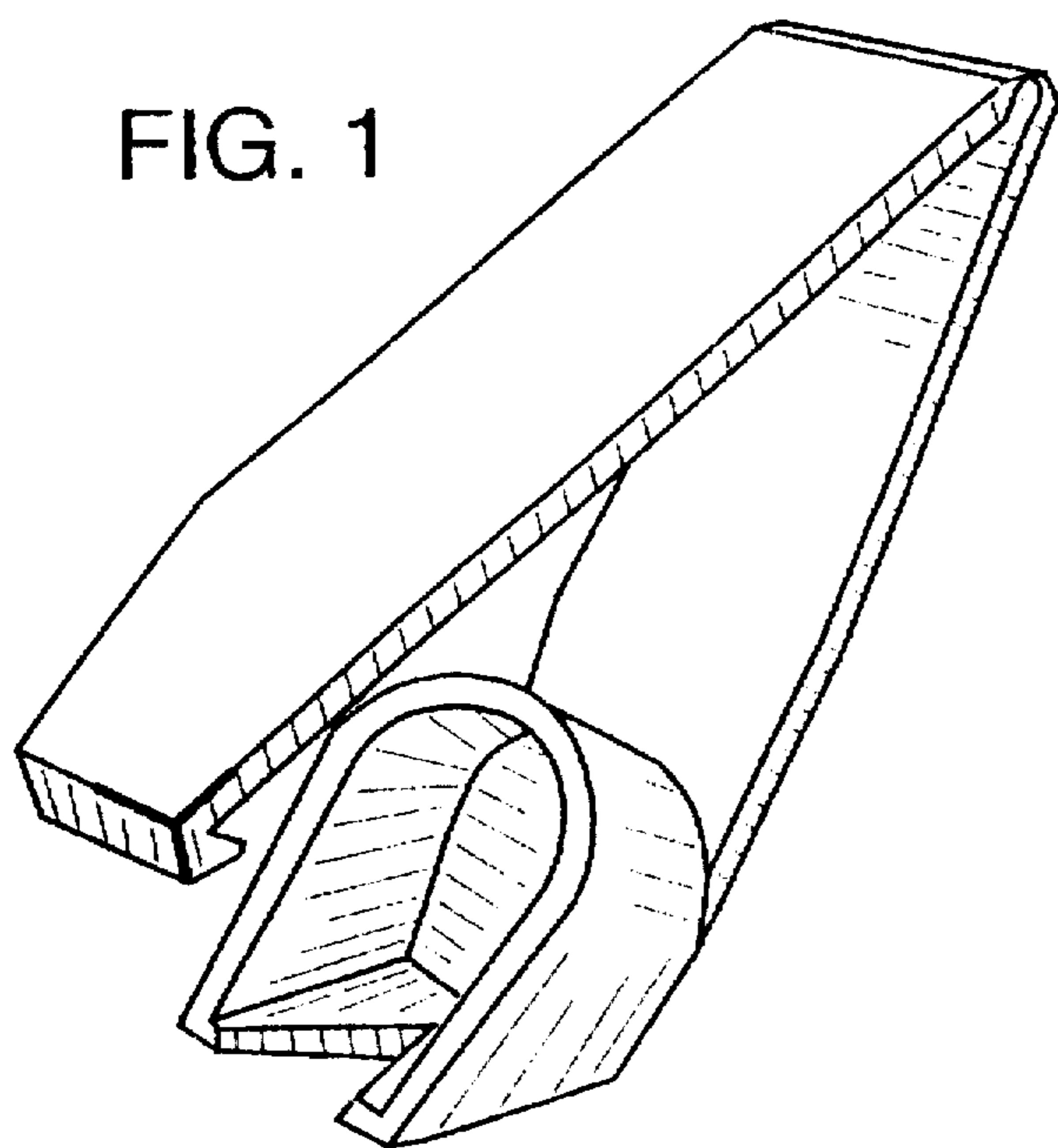


FIG. 2

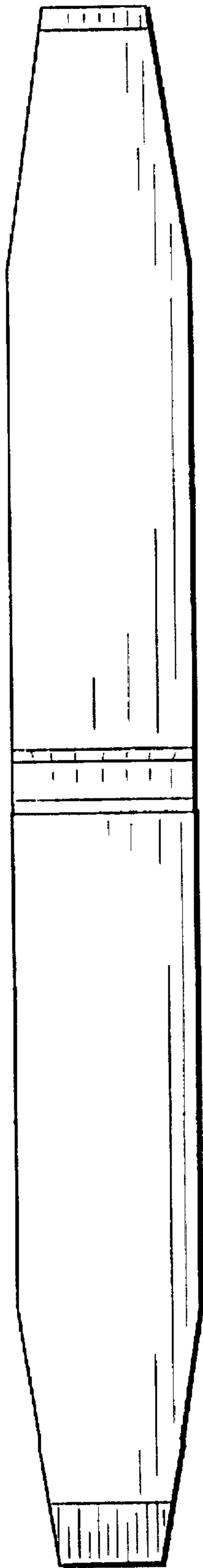


FIG. 3

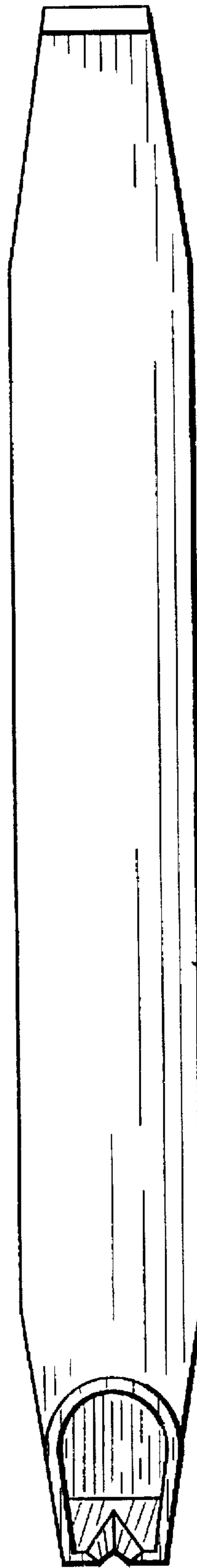


FIG. 4