



US00D388857S

# United States Patent [19]

Peterson

[11] Patent Number: **Des. 388,857**

[45] Date of Patent: **\*\*Jan. 6, 1998**

[54] **INFLATABLE TOWABLE DEVICE**

4,246,860 1/1981 Saund ..... 114/253  
5,503,099 4/1996 Peterson ..... 114/253

[75] Inventor: **Leroy L. Peterson, Omaha, Nebr.**

*Primary Examiner—Kay H. Chin*  
*Attorney, Agent, or Firm—Henderson & Sturm*

[73] Assignee: **Sportsstuff Inc, Omaha, Nebr.**

[\*\*] Term: **14 Years**

[57] **CLAIM**

[21] Appl. No.: **57,319**

The ornamental design for an inflatable towable device, as shown and described.

[22] Filed: **Jul. 23, 1996**

**DESCRIPTION**

[51] **LOC (6) Cl.** ..... **12-06**

[52] **U.S. Cl.** ..... **D21/236; D12/317**

[58] **Field of Search** ..... **D21/236, 237;**  
**D12/317; 114/253, 343, 345; 441/40, 35,**  
**65, 66, 67, 129, 130, 131, 132**

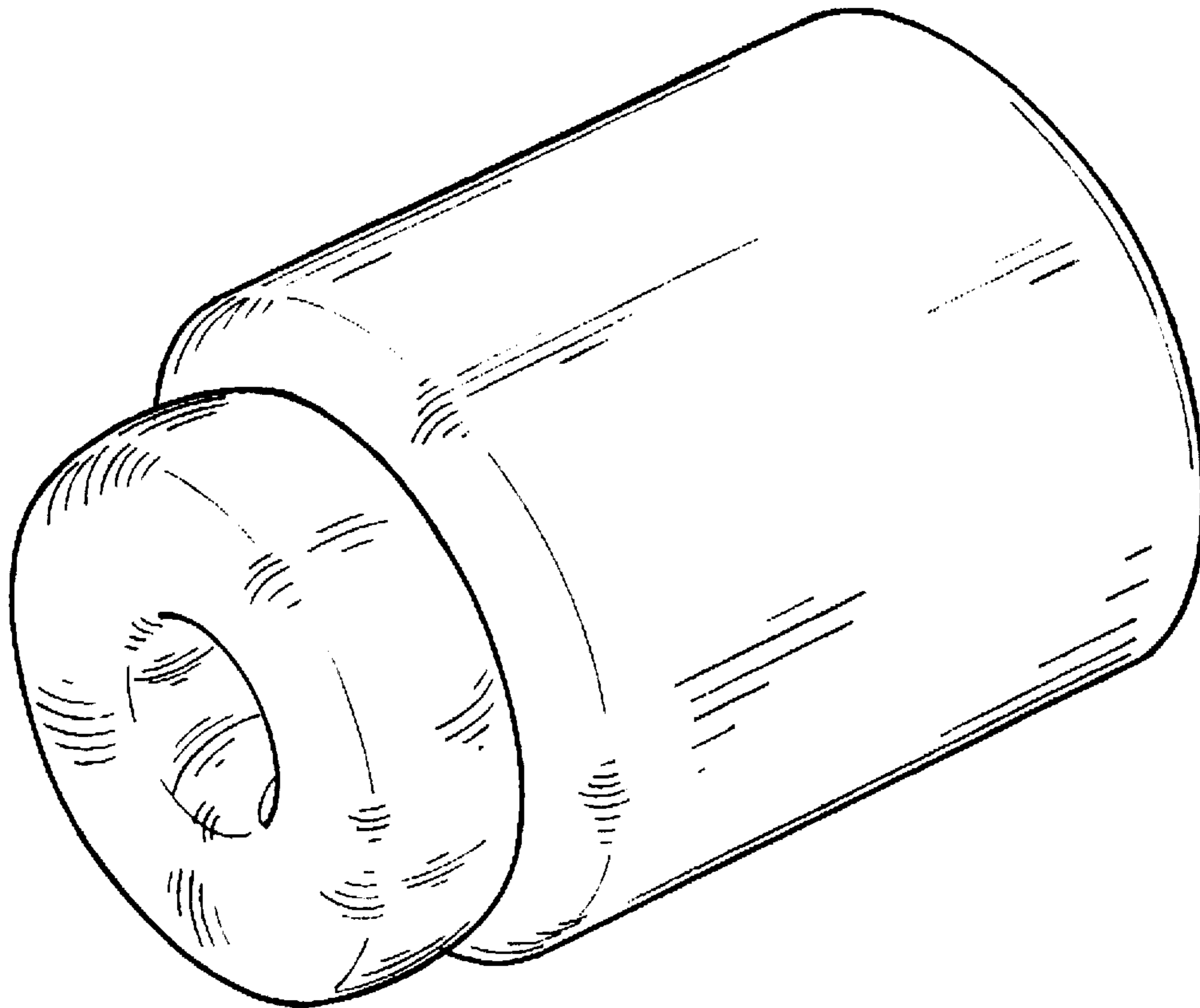
FIG. 1 is a front perspective view of an inflatable towable device showing my new design;  
FIG. 2 is a rear perspective view thereof;  
FIG. 3 is a front elevational view thereof;  
FIG. 4 is a left side elevational view thereof, the right side elevational view being a mirror image thereof; and,  
FIG. 5 is a rear elevational view thereof.

[56] **References Cited**

**U.S. PATENT DOCUMENTS**

3,120,208 2/1964 Lawrie ..... 114/253

**1 Claim, 2 Drawing Sheets**



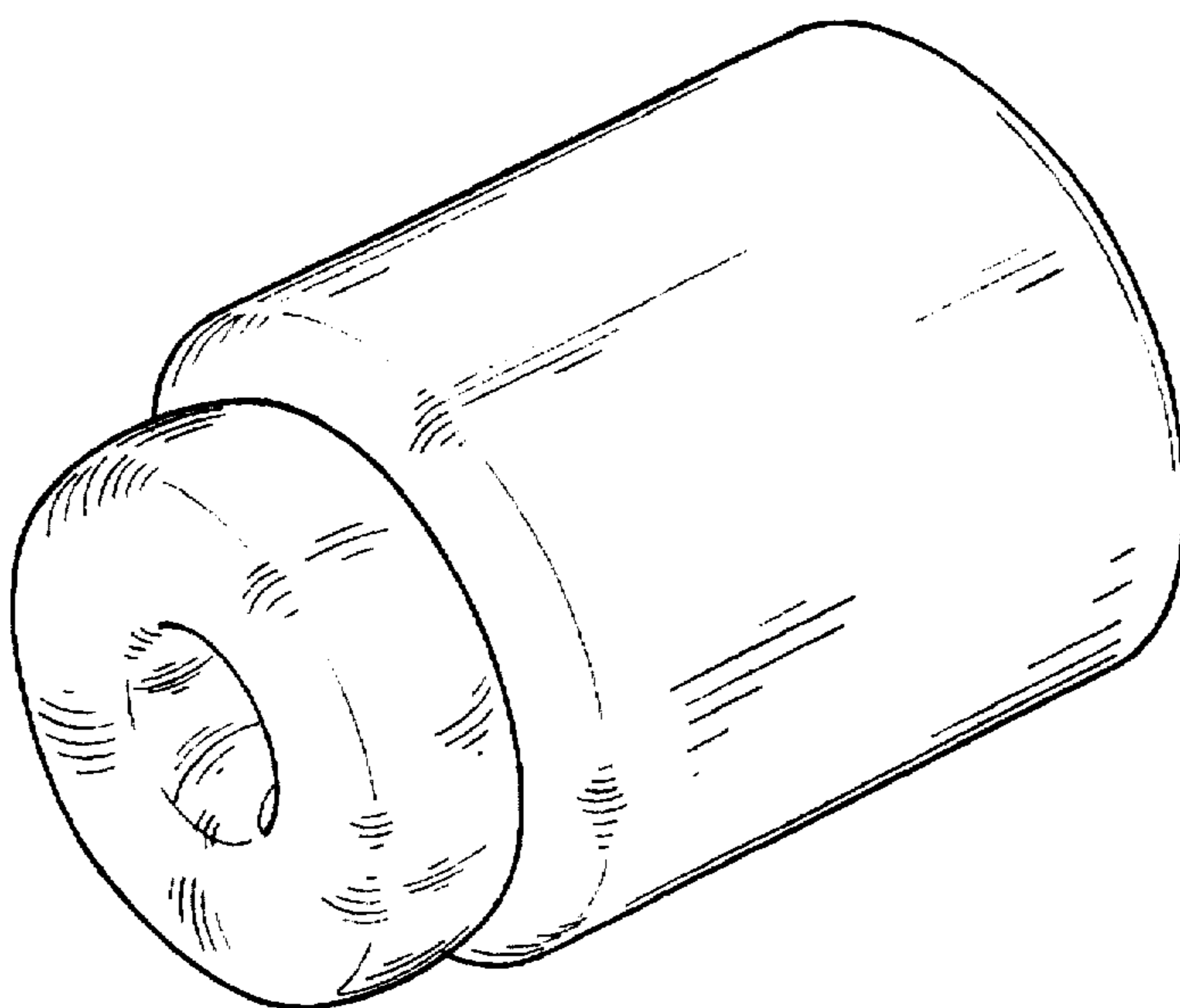


FIG. 1

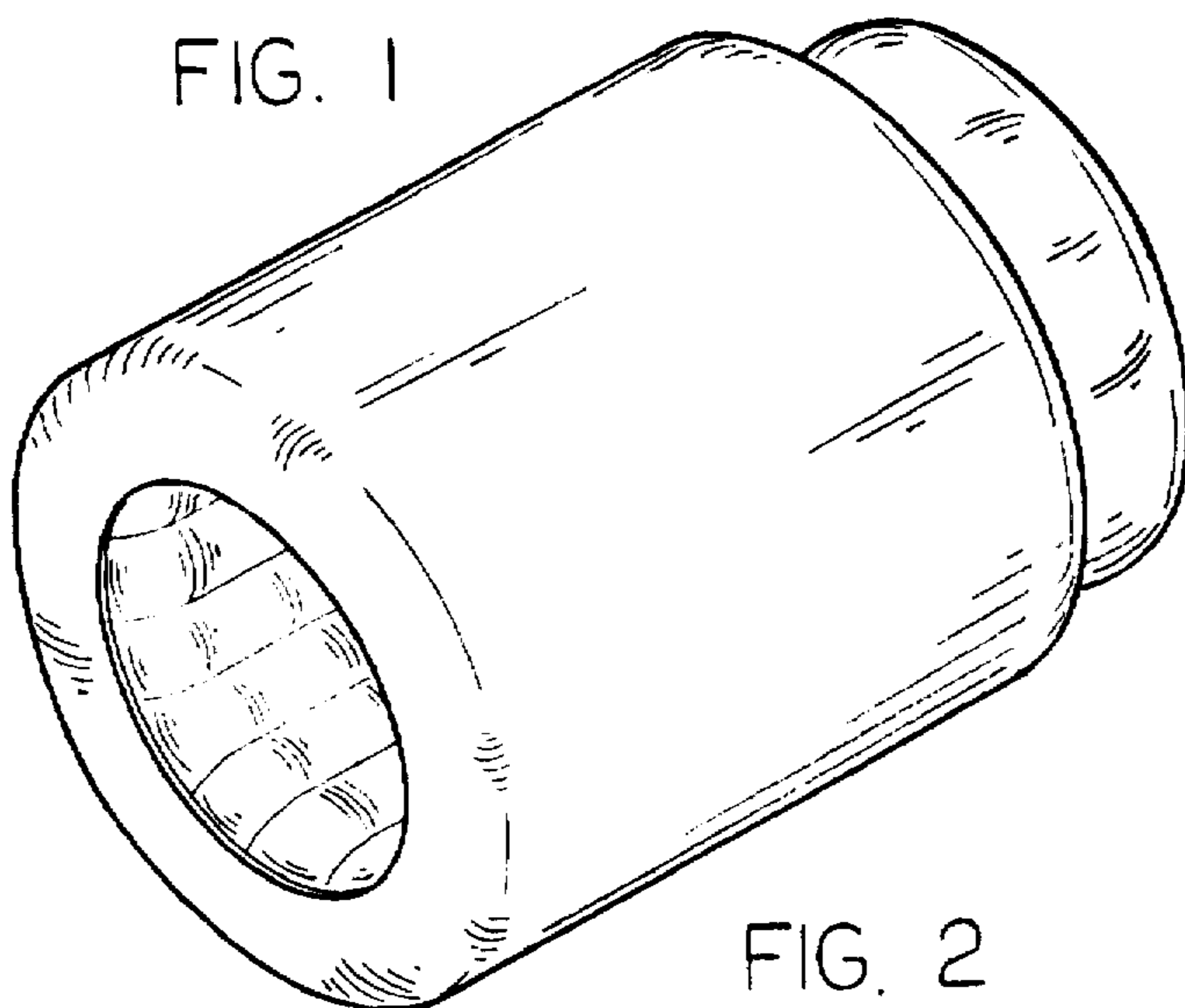


FIG. 2

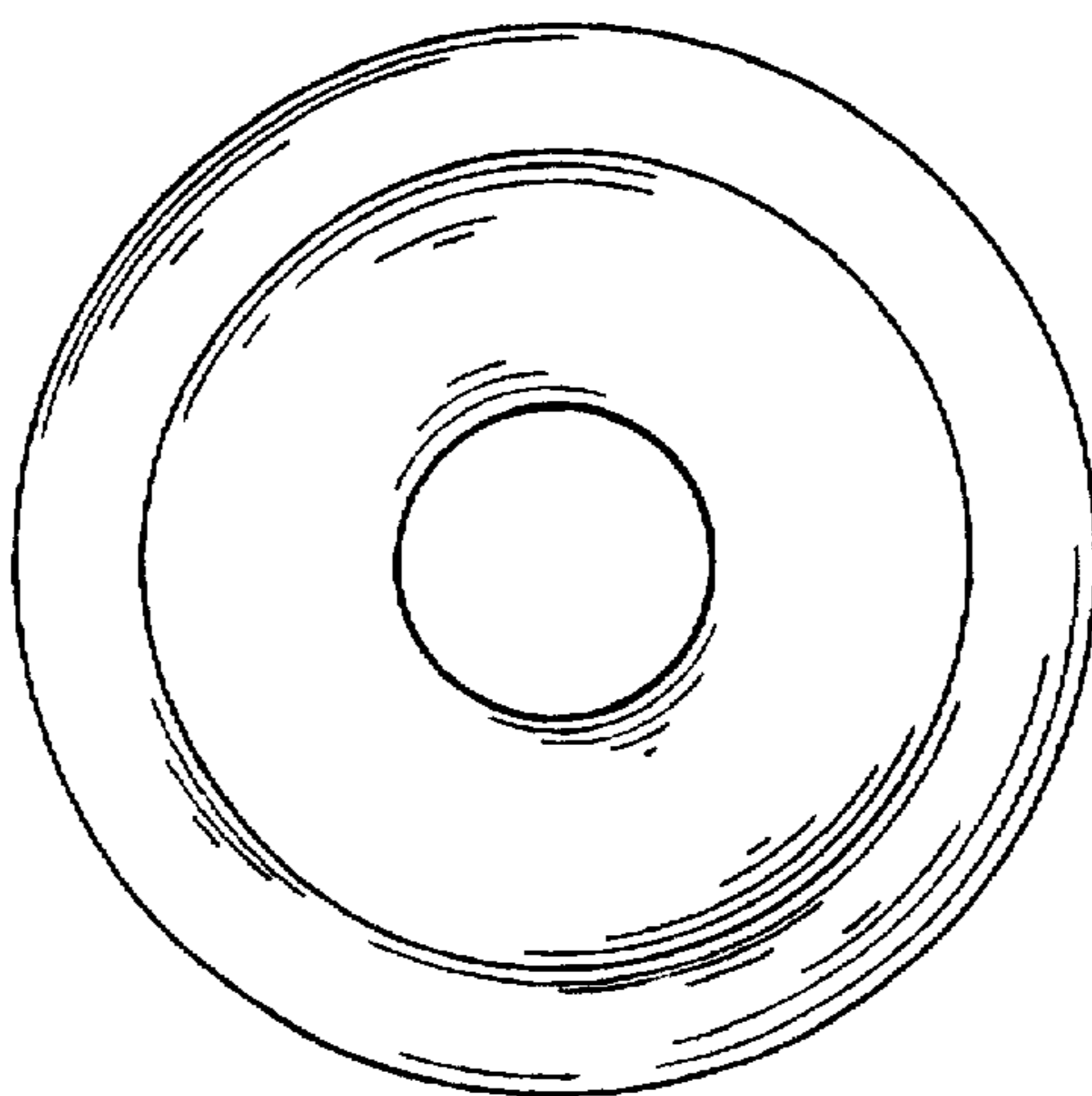


FIG. 3

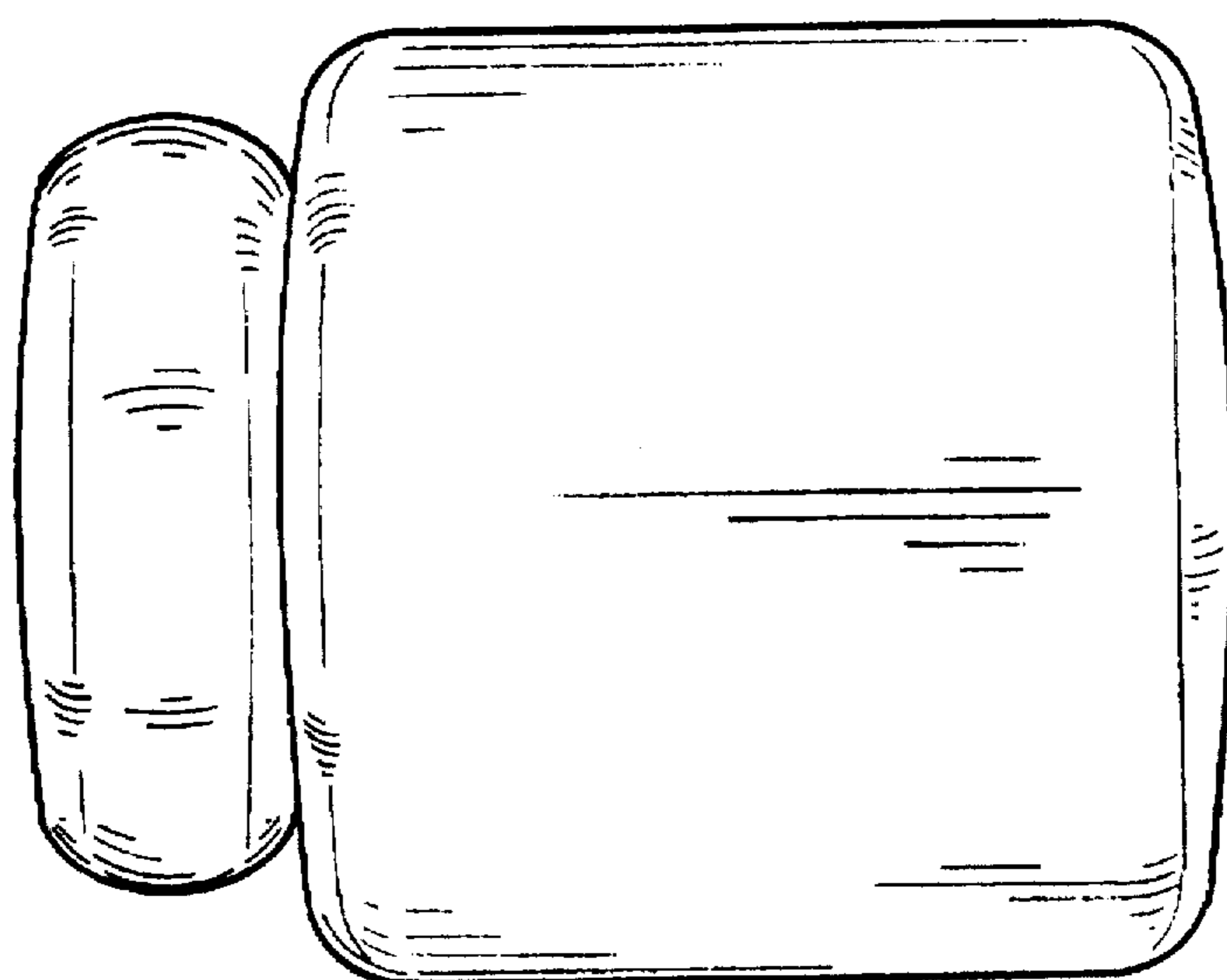


FIG. 4

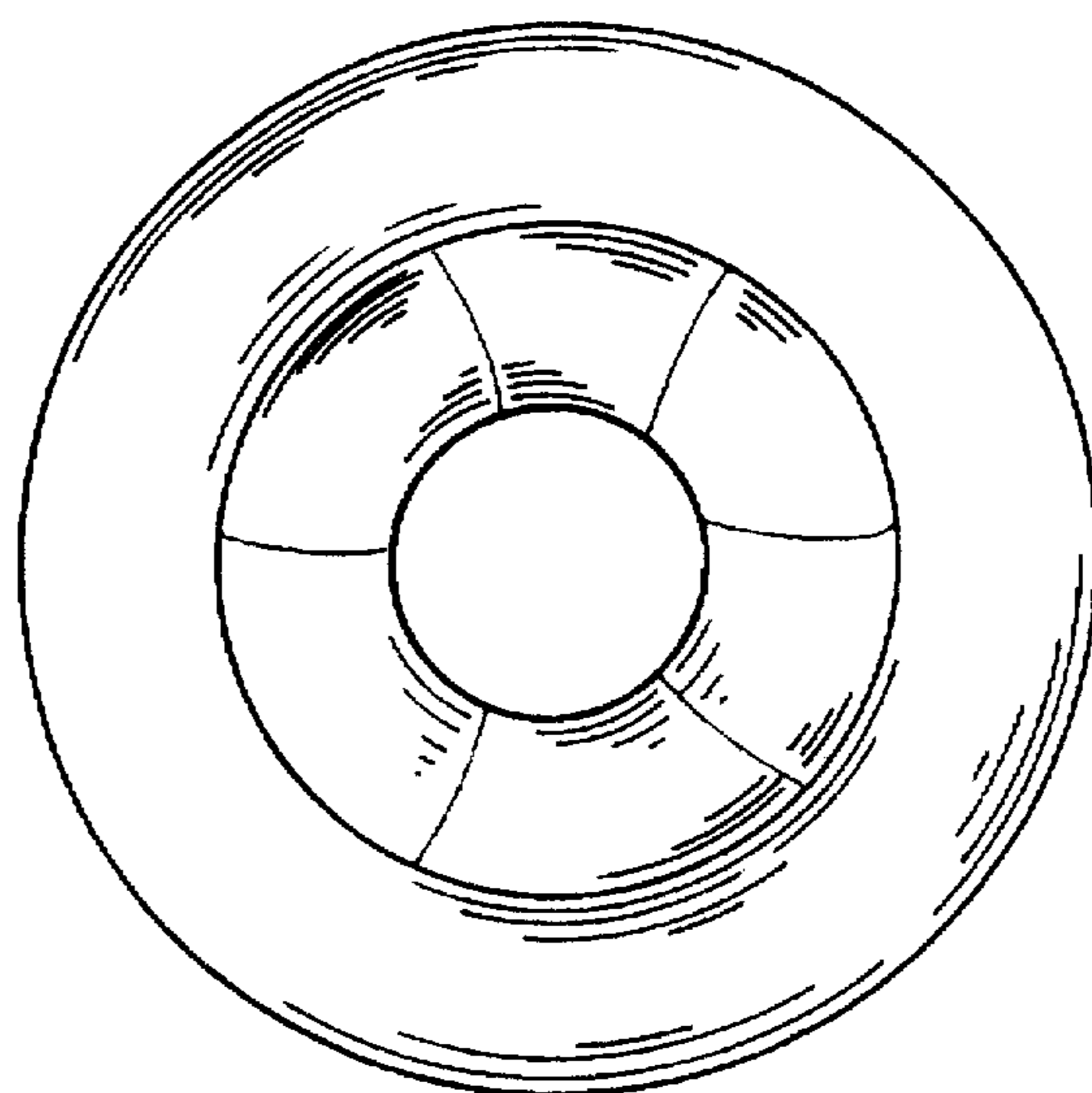


FIG. 5