



US00D388855S

United States Patent [19]
Reed

[11] **Patent Number:** **Des. 388,855**
[45] **Date of Patent:** ****Jan. 6, 1998**

[54] **ROLLER POLE**

5,024,866 6/1991 Goode 280/819
5,163,710 11/1992 Cirtel et al. 280/809
5,429,389 7/1995 Shandell 280/821

[76] **Inventor:** **Dale Lopez Reed**, 114 3rd Ave., Tawas
City, Mich. 48763

[**] **Term:** **14 Years**

Primary Examiner—Kay H. Chin
Attorney, Agent, or Firm—Jonathan C. Fairbanks

[21] **Appl. No.:** **69,719**

[57] **CLAIM**

[22] **Filed:** **Mar. 27, 1997**

The ornamental design for a roller pole, as shown and described.

Related U.S. Application Data

DESCRIPTION

[63] **Continuation-in-part** of Ser. No. 54,219, May 10, 1996,
abandoned.

FIG. 1 is a side view;

[51] **LOC (6) Cl.** **21-02**

FIG. 2 is a bottom view;

[52] **U.S. Cl.** **D21/229**

FIG. 3 is a top view;

[58] **Field of Search** D21/226, 227,
D21/230; 280/819, 809, 829

FIG. 4 is a front view;

FIG. 5 is a rear view; and,

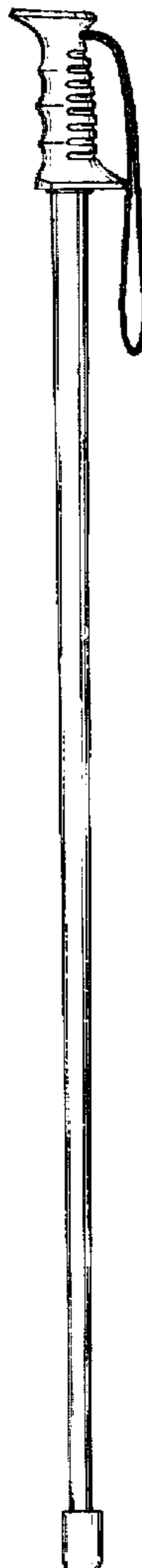
FIG. 6 is a cutaway view of the bottom of the handle.

[56] **References Cited**

U.S. PATENT DOCUMENTS

D. 262,646 1/1982 Mace 280/819

1 Claim, 1 Drawing Sheet



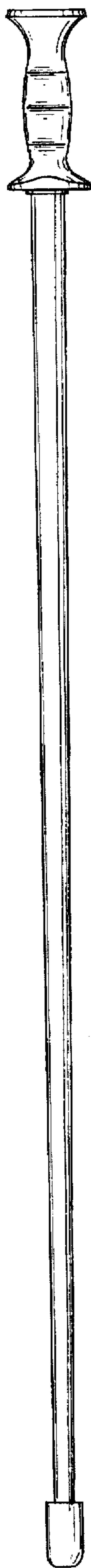


FIG. 1

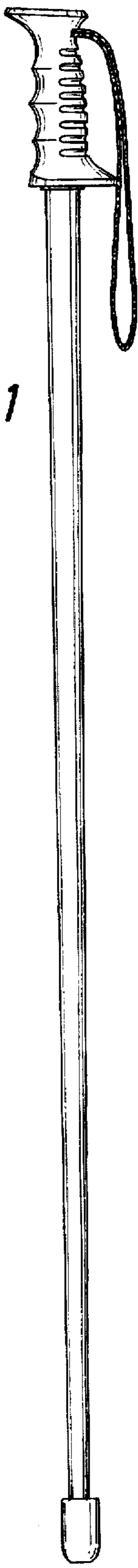


FIG. 5

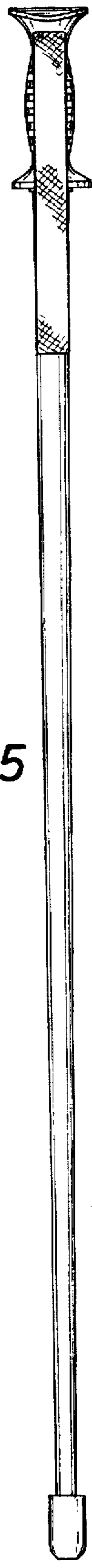


FIG. 4

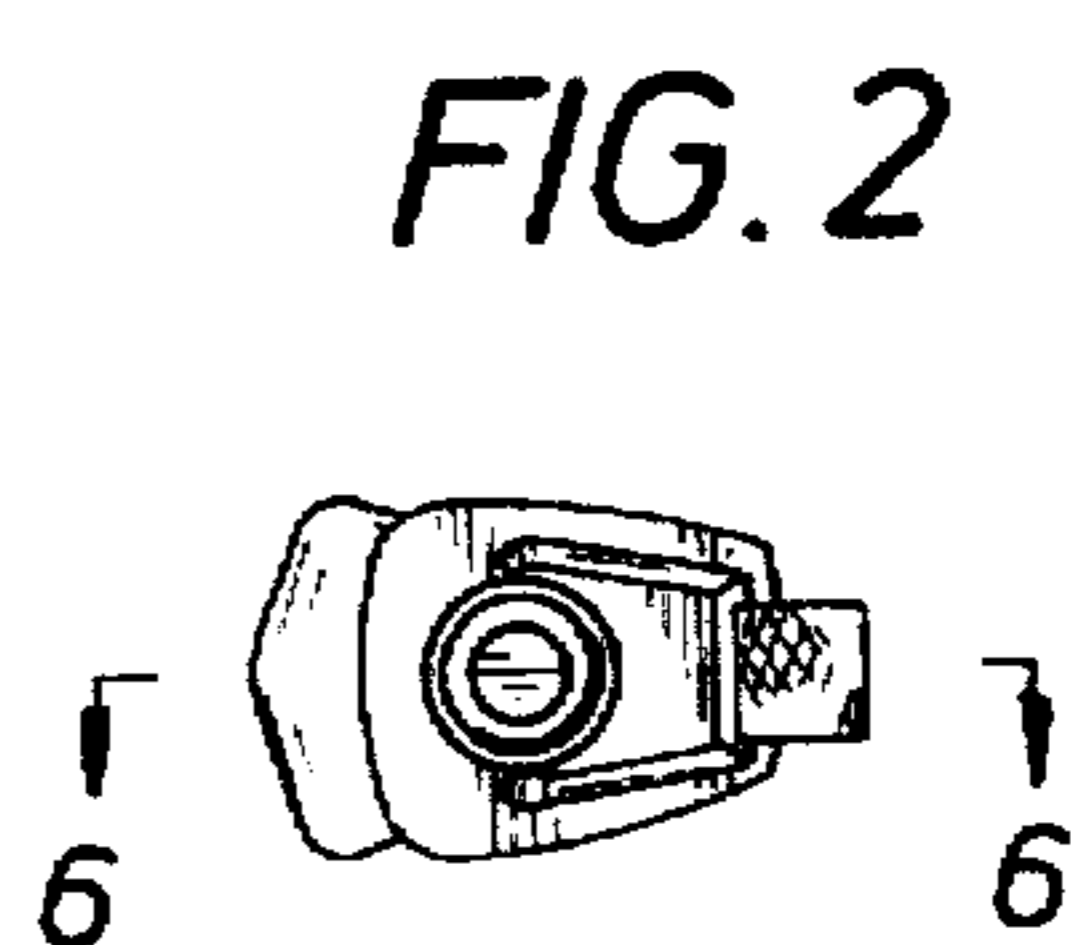


FIG. 2

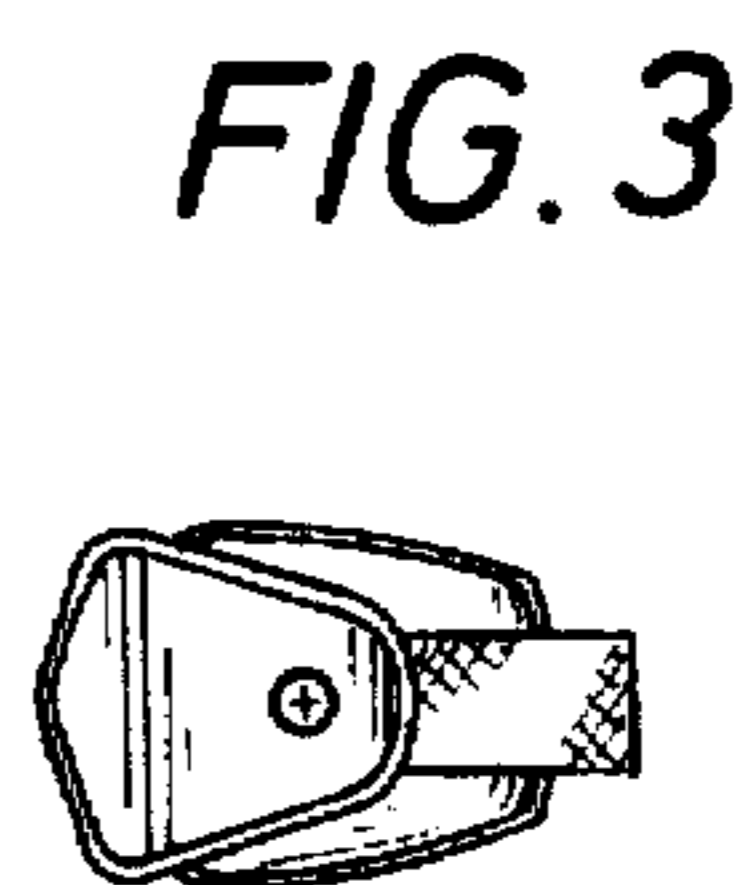


FIG. 3

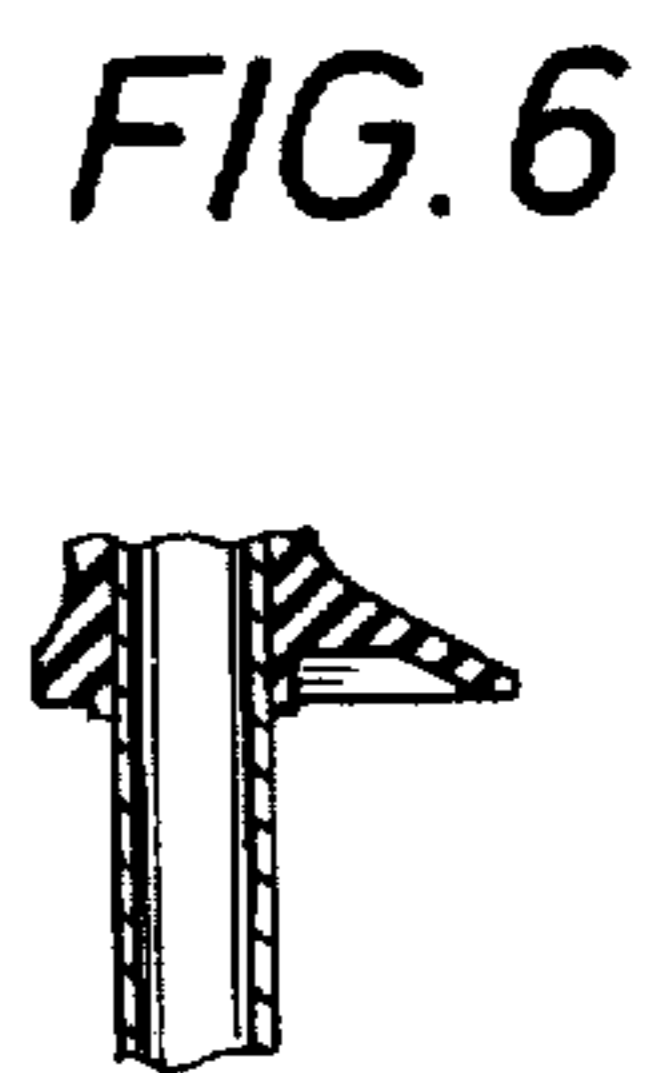


FIG. 6