



US00D388854S

United States Patent [19]

Love

[11] Patent Number: **Des. 388,854**

[45] Date of Patent: ****Jan. 6, 1998**

[54] **SKATER'S SUPPORT**

[76] Inventor: **Brian Love**, P.O. Box 117, King City, Ontario, Canada, L7B 1A4

[**] Term: **14 Years**

[21] Appl. No.: **43,948**

[22] Filed: **Sep. 14, 1995**

[51] LOC (6) Cl. **21-02**

[52] U.S. Cl. **D21/224; D21/225**

[58] Field of Search **D21/224-231; D3/7, 9; D12/130, 133; 280/11.2, 11.18, 11.22, 11.19, 818, 809, 811; 482/71; 434/253**

[56] **References Cited**

U.S. PATENT DOCUMENTS

D. 216,523	1/1970	Hasty	D12/130
D. 301,598	6/1989	Harris	D21/224
D. 357,522	4/1995	Garneau	D21/225
3,176,700	4/1965	Drury, Jr.	D3/9

4,846,463	7/1989	Kleinnibgelink	482/71
5,040,556	8/1991	Raines	D12/130
5,312,135	5/1994	Karabees	280/809

Primary Examiner—Raphael Barkai
Attorney, Agent, or Firm—Shoemaker and Mattare, Ltd.

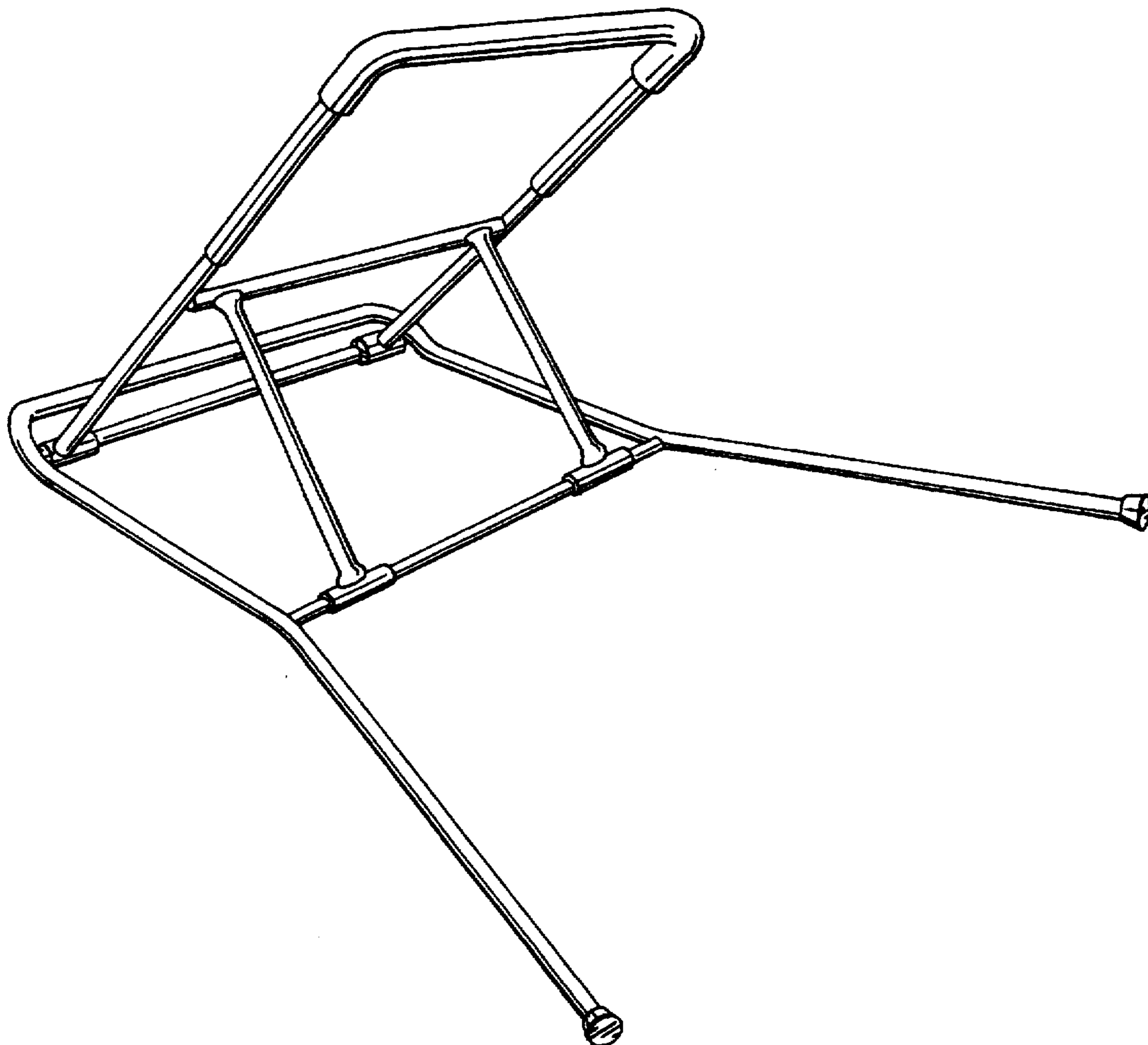
[57] **CLAIM**

The ornamental design for a skater's support, as shown and described.

DESCRIPTION

FIG. 1 is a perspective view of a skater's support showing my design, taken from the rear and to one side, looking down obliquely;
FIG. 2 is a side elevational view thereof, the elevational view from the other side being a mirror image;
FIG. 3 is a rear elevational view thereof; and,
FIG. 4 is a side elevational view thereof, in a collapsed condition.

1 Claim, 2 Drawing Sheets



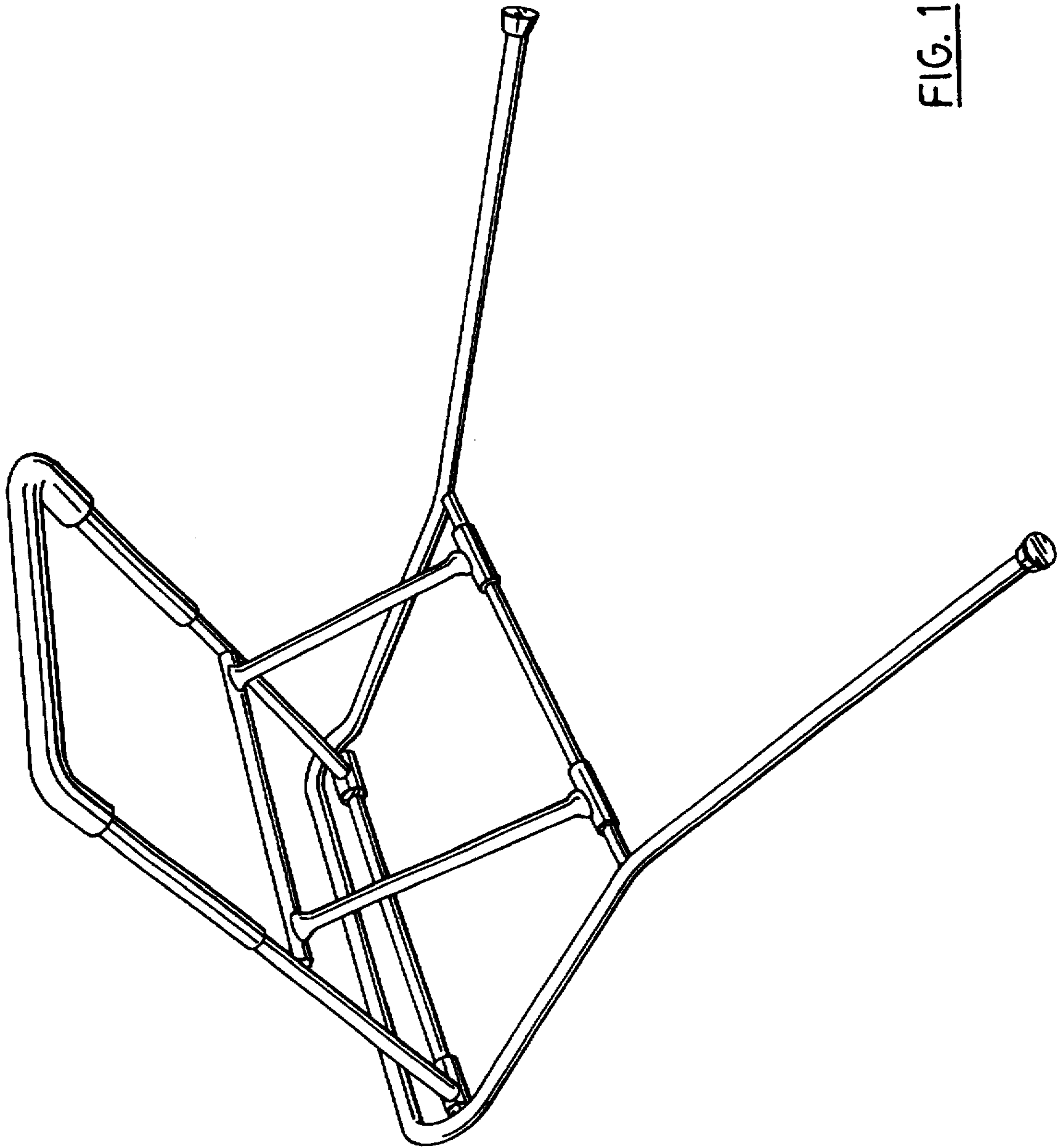


FIG. 1

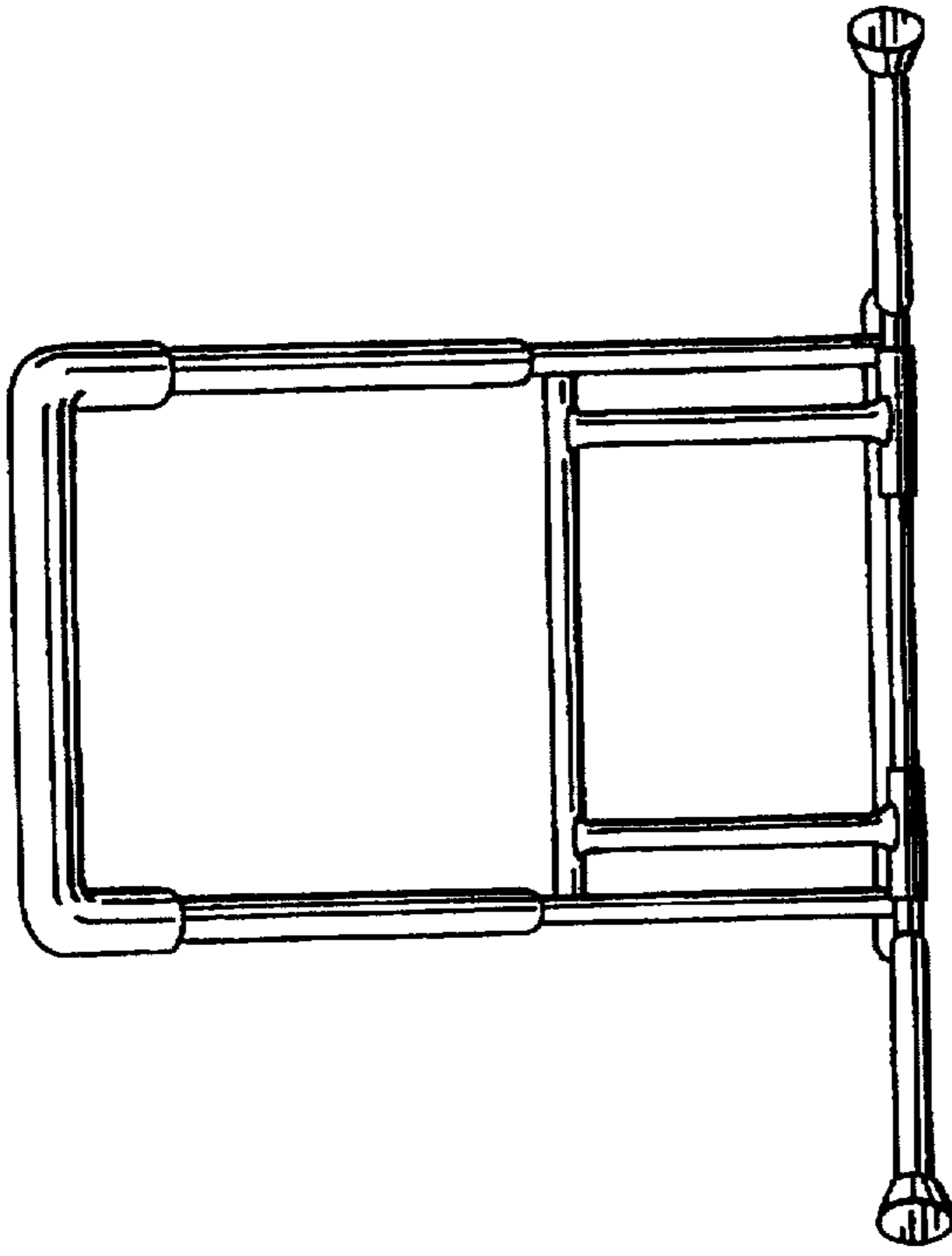


FIG. 3

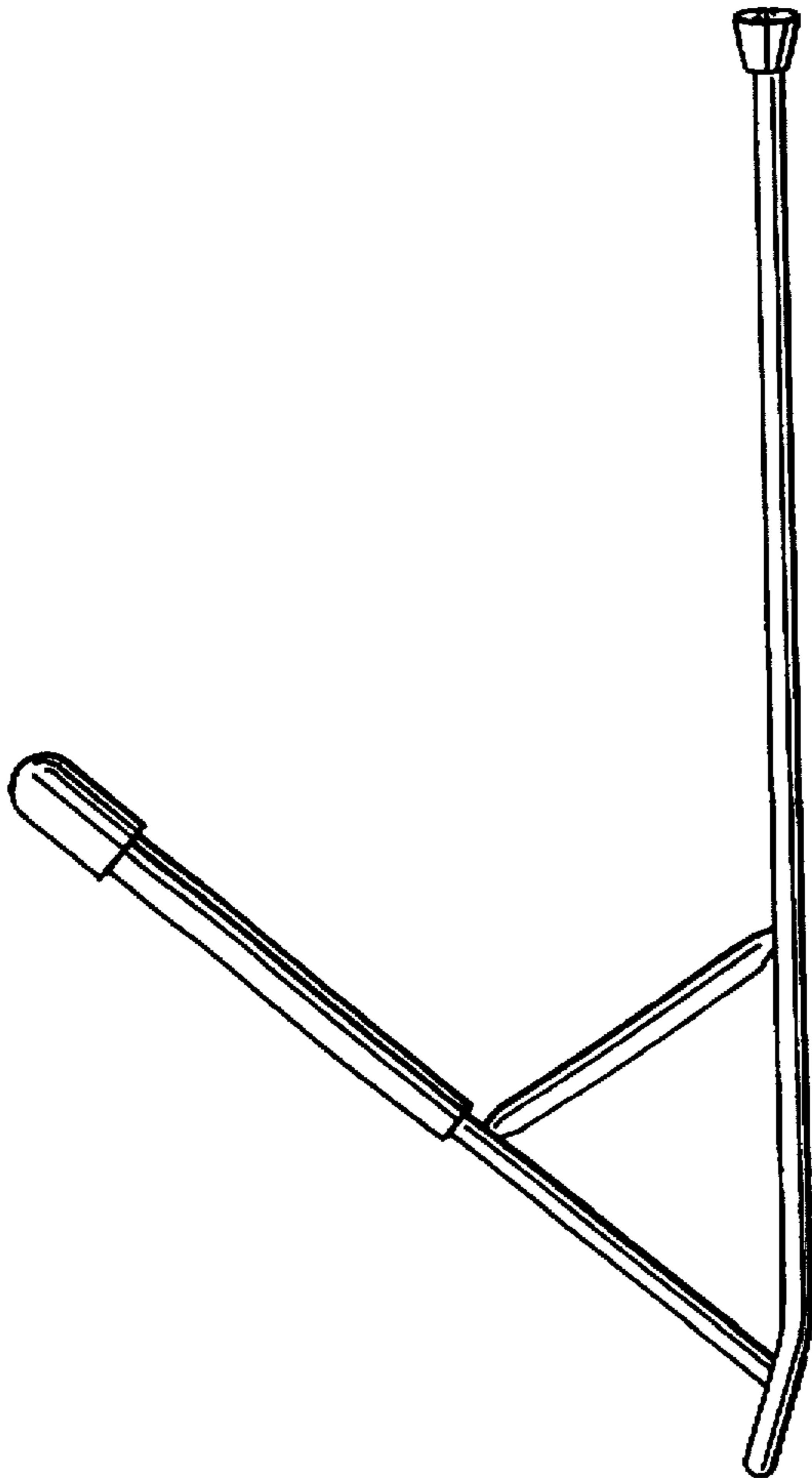


FIG. 2



FIG. 4