



US00D388853S

United States Patent [19]
Minami

[11] **Patent Number:** **Des. 388,853**
[45] **Date of Patent:** ****Jan. 6, 1998**

[54] **GOLF PUTTER HEAD WITH GOLF BALL RETRIEVER**

[76] **Inventor:** **Roy W. Minami**, 1222 Jackie La.,
Santa Maria, Calif. 93454

[**] **Term:** **14 Years**

[21] **Appl. No.:** **61,377**

[22] **Filed:** **Oct. 22, 1996**

[51] **LOC (6) Cl.** **21-02**

[52] **U.S. Cl.** **D21/219**

[58] **Field of Search** **D21/217-219;**
473/251-255, 340, 341, 324

[56] **References Cited**

U.S. PATENT DOCUMENTS

D. 235,668	7/1975	Swash	D21/217
D. 257,869	1/1981	MacDougall	D21/219
D. 268,691	4/1983	Collins	D21/217
D. 340,962	11/1993	Phillips	D21/219
D. 372,752	8/1996	Raudman	D21/219
5,423,545	6/1995	Narry	473/253

Primary Examiner—Ted Shooman
Assistant Examiner—Mitchell I. Siegel
Attorney, Agent, or Firm—Daniel C. McKown

[57] **CLAIM**

The ornamental design for a golf putter head with golf ball retriever, as shown and described.

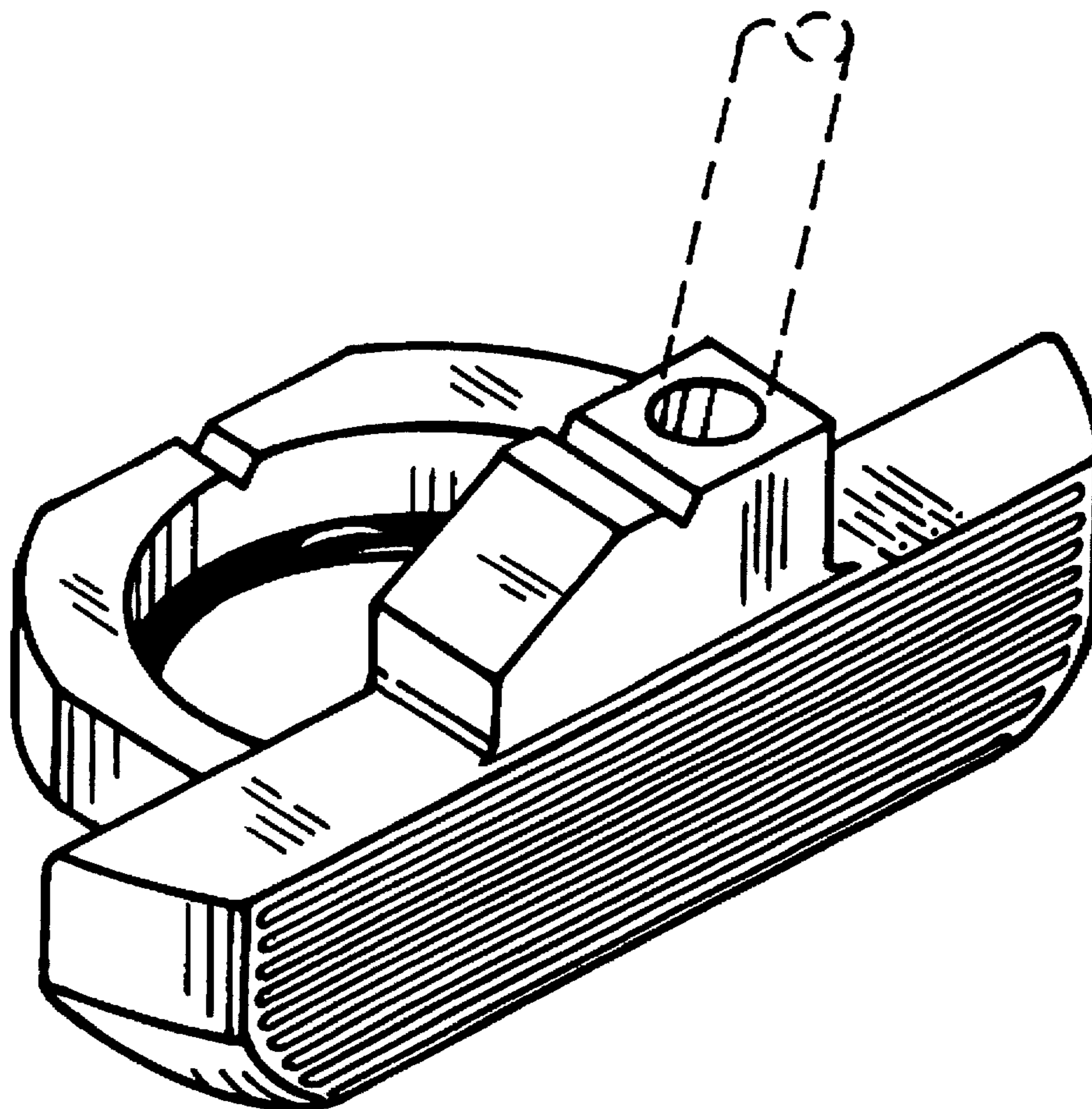
DESCRIPTION

FIG. 1 is a top front right side perspective view of a golf putter head with golf ball retriever showing my new design; FIG. 2 is a right side elevational view thereof; FIG. 3 is a left side elevational view thereof; FIG. 4 is a front elevational view thereof; FIG. 5 is a rear elevational view thereof; FIG. 6 is a top plan view thereof; and, FIG. 7 is a bottom plan view thereof.

The dashed lines in FIGS. 1-5 show a shaft which is not part of the present design.

The solid black ring disclosed on FIGS. 1, 6 and 7 indicates the color black.

1 Claim, 3 Drawing Sheets



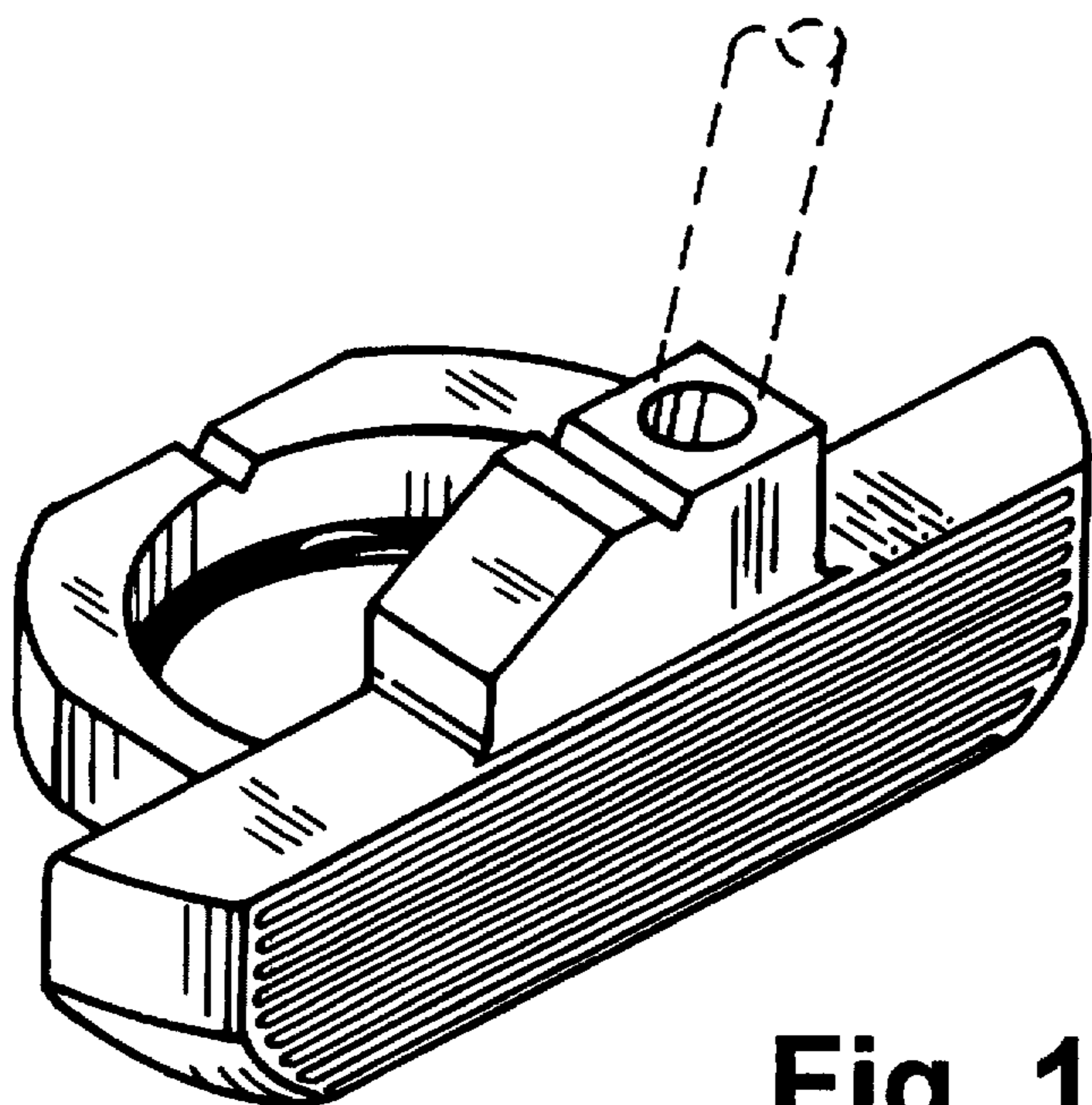


Fig. 1

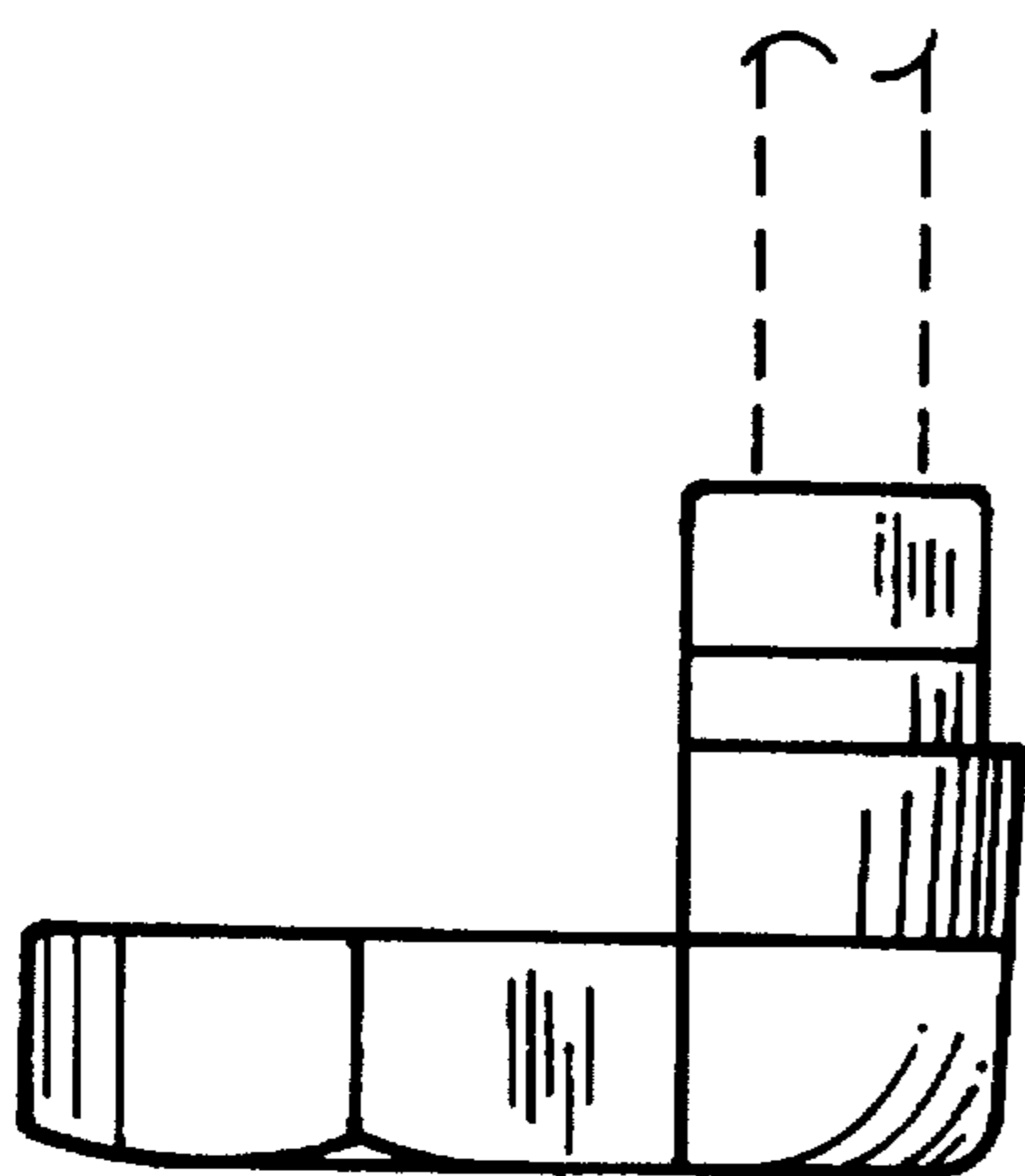


Fig. 2

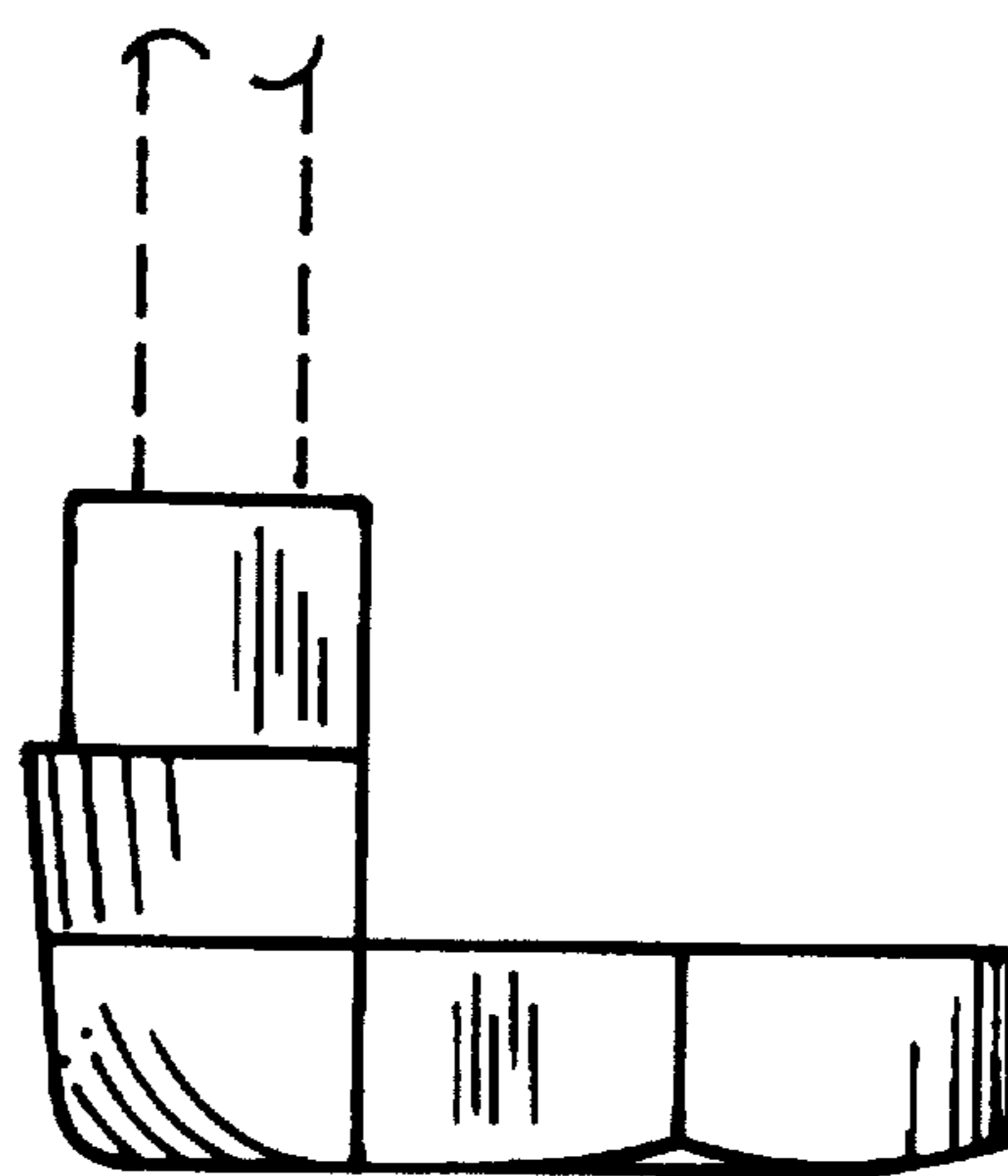


Fig. 3

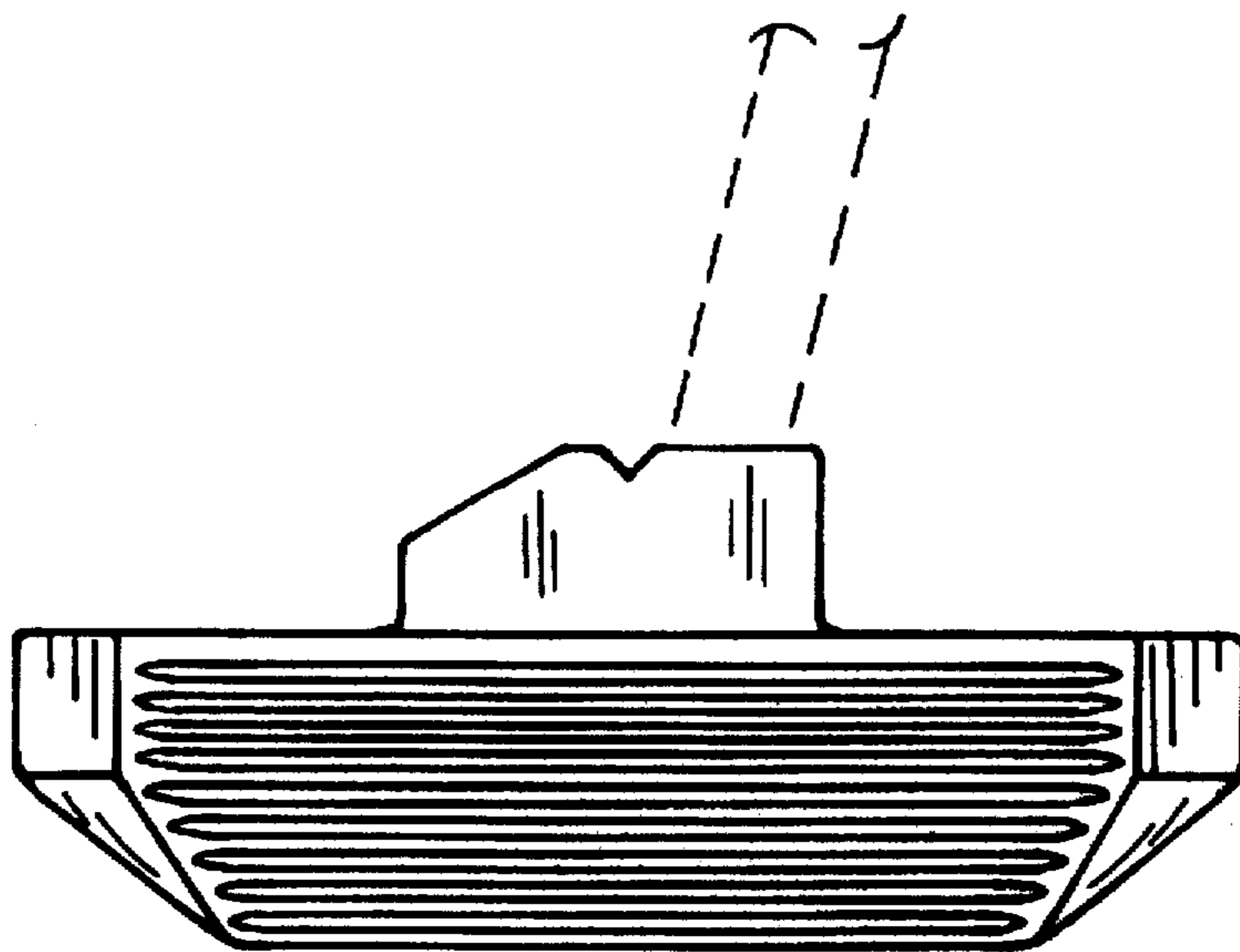


Fig. 4

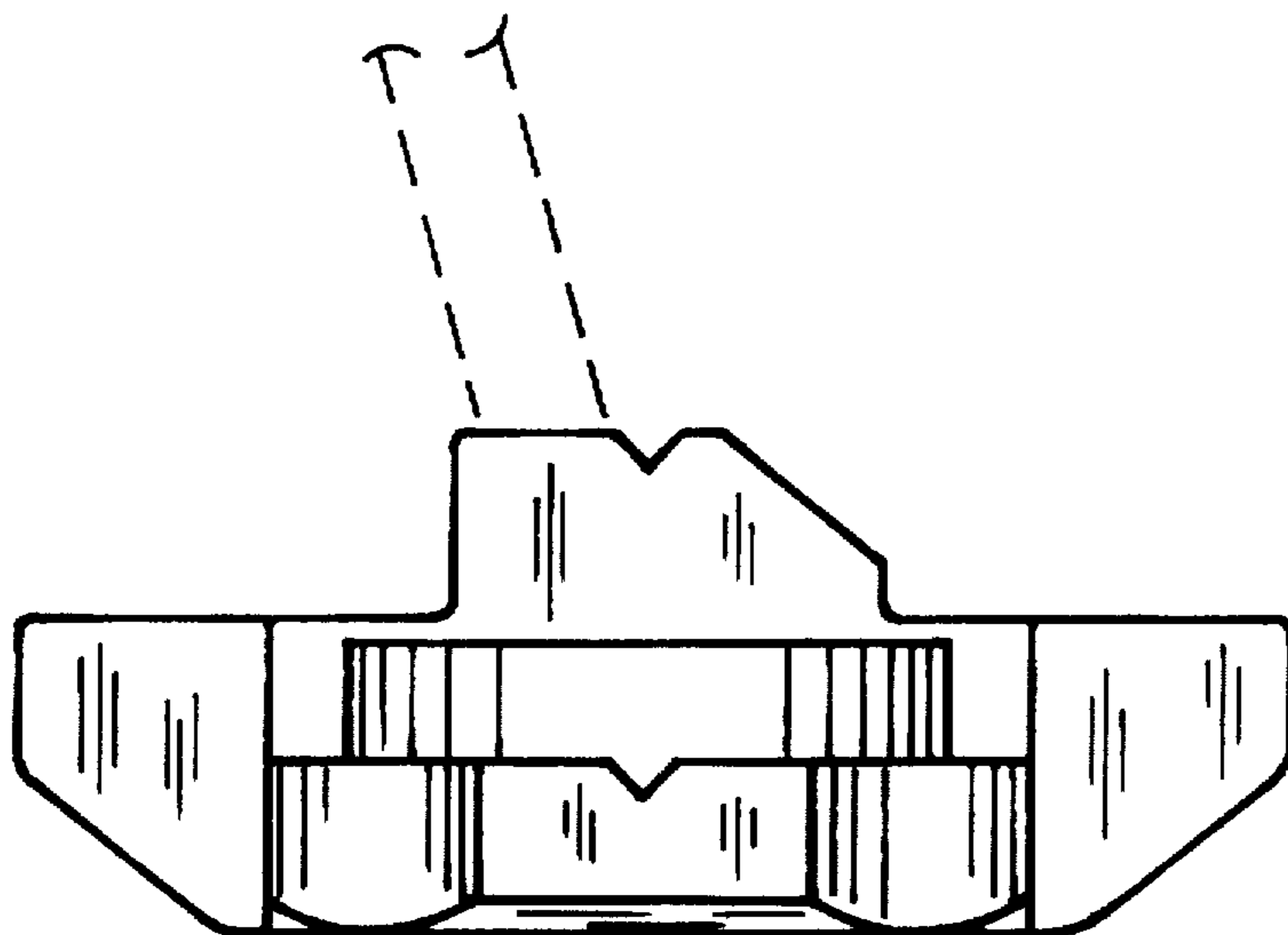


Fig. 5

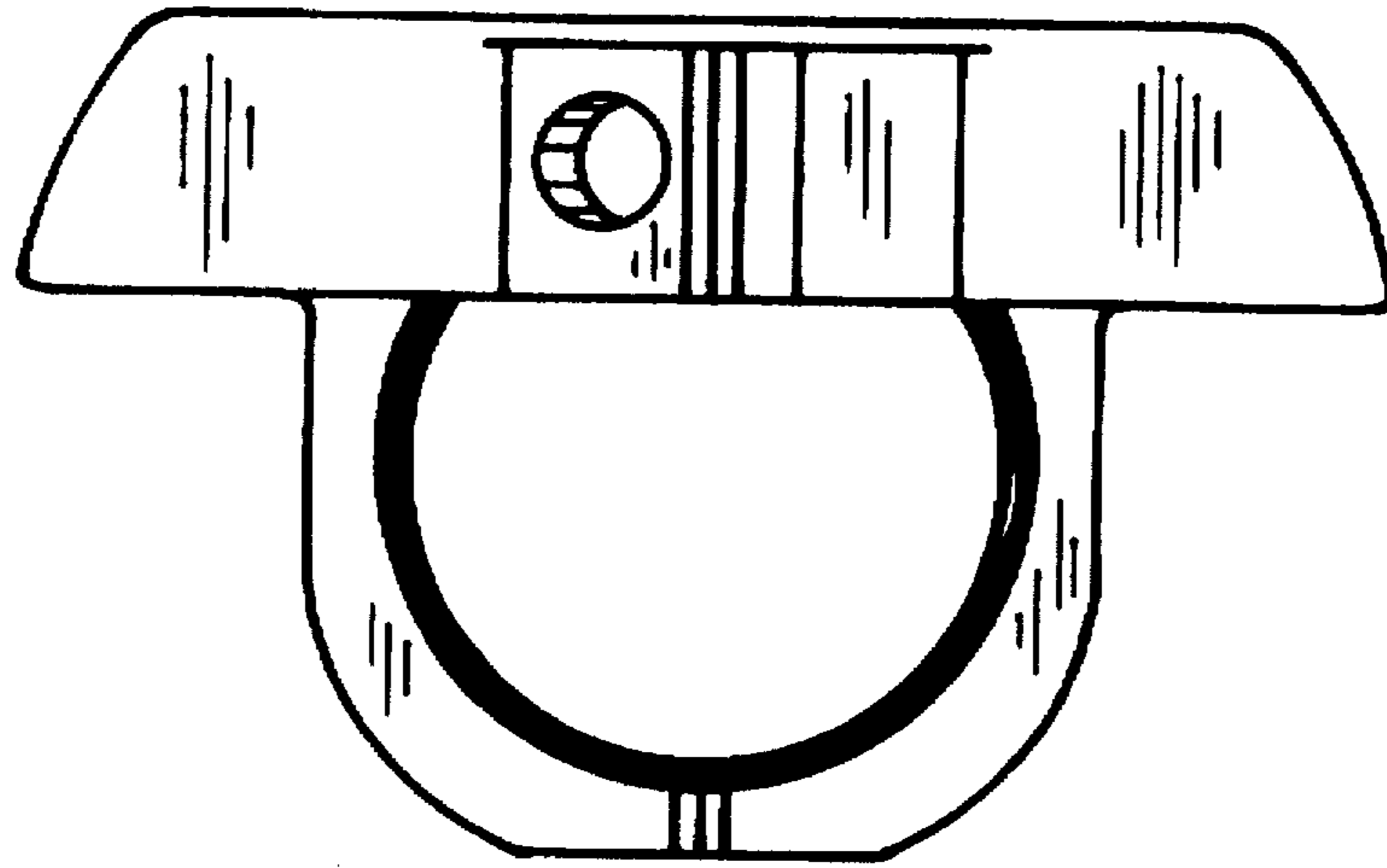


Fig. 6

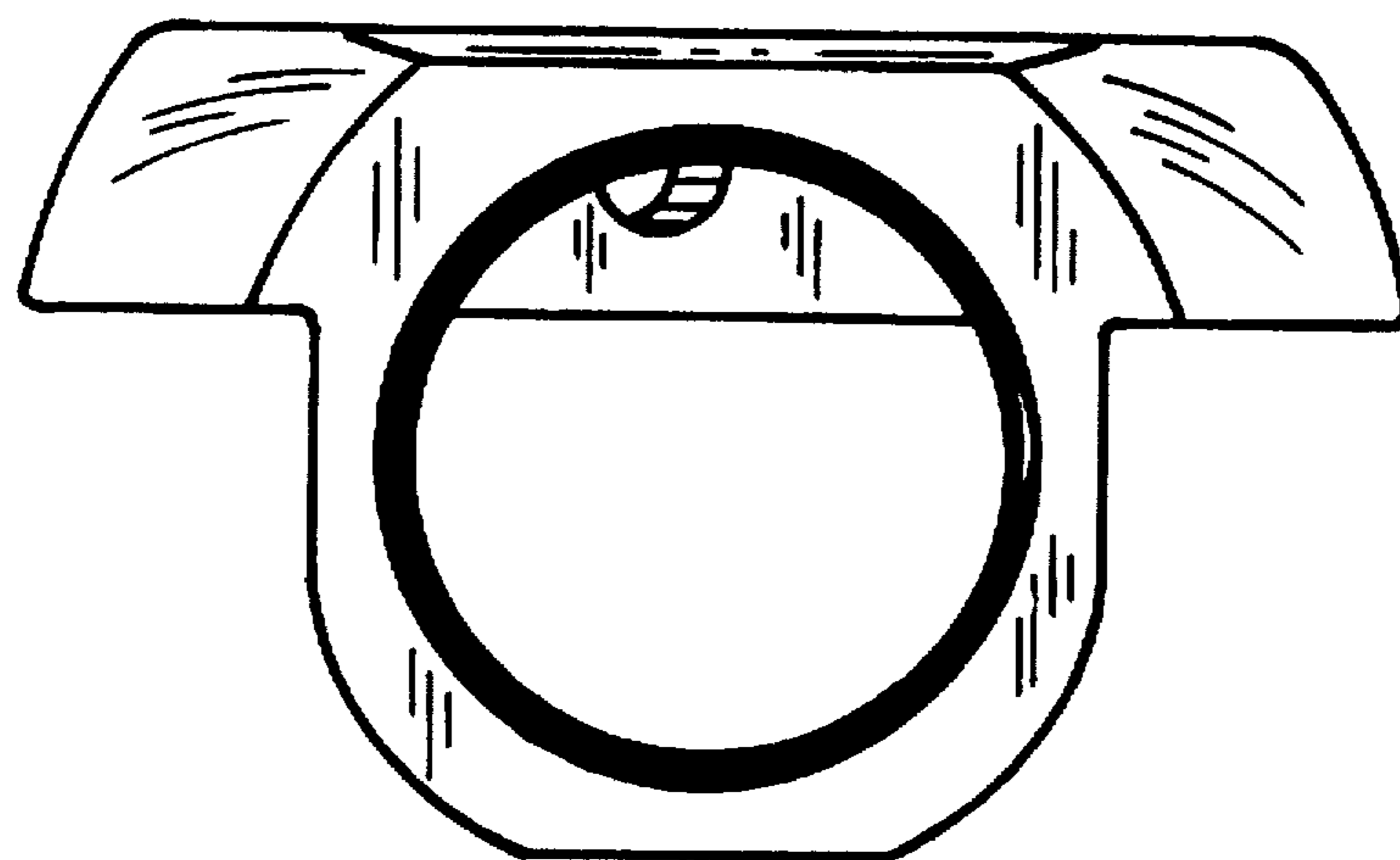


Fig. 7