



US00D388850S

United States Patent [19] Ranger

[11] Patent Number: **Des. 388,850**
[45] Date of Patent: ****Jan. 6, 1998**

[54] **GOLF BALL RETRIEVER**
[76] Inventor: **Aurélien Ranger**, 157, Martel Street,
Béloeil, Québec, Canada, J3G 3H2
[**] Term: **14 Years**
[21] Appl. No.: **48,039**
[22] Filed: **Dec. 18, 1995**
[51] LOC (6) Cl. **21-02**
[52] U.S. Cl. **D21/206**
[58] Field of Search D21/206; D8/13;
473/286, 285; 294/19.2, 19.1, 24

2,524,527 10/1950 Jasmer D21/206 X
2,561,815 7/1951 Oberg 294/19.2
3,306,649 2/1967 Zagwyn D21/206 X
3,749,407 7/1973 Prochnow 473/286

Primary Examiner—Prabhakar G. Deshmukr
Assistant Examiner—Richelle Shelton

[57] CLAIM

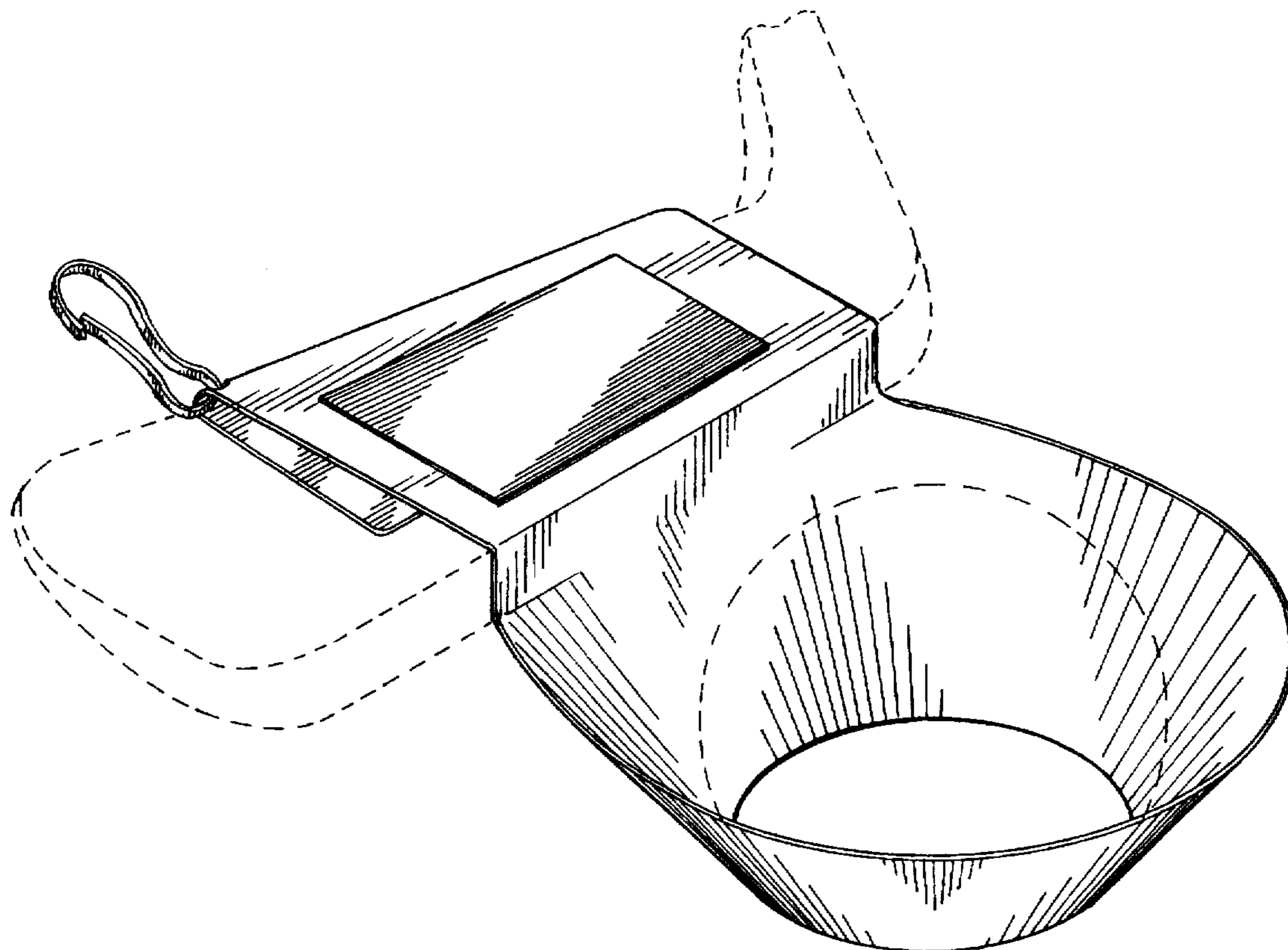
The ornamental design for a golf ball retriever, as shown and described.

DESCRIPTION

FIG. 1 is a perspective of a golf ball retriever, showing my new design;
FIG. 2 is a side view thereof;
FIG. 3 is a front view thereof; and,
FIG. 4 is a rear view thereof.
The broken line showing of the golf ball in FIG. 1 and the golf club head in FIGS. 1-4 is for illustrative purposes only and forms no part of the claimed design.

[56] **References Cited**
U.S. PATENT DOCUMENTS
D. 187,600 4/1960 Feiker D21/206
D. 306,058 2/1990 Blake D21/234
D. 347,042 5/1994 Garcia D21/206
D. 361,354 8/1995 Bailey et al. D21/206
2,489,958 11/1949 Douglass 294/19.2

1 Claim, 3 Drawing Sheets



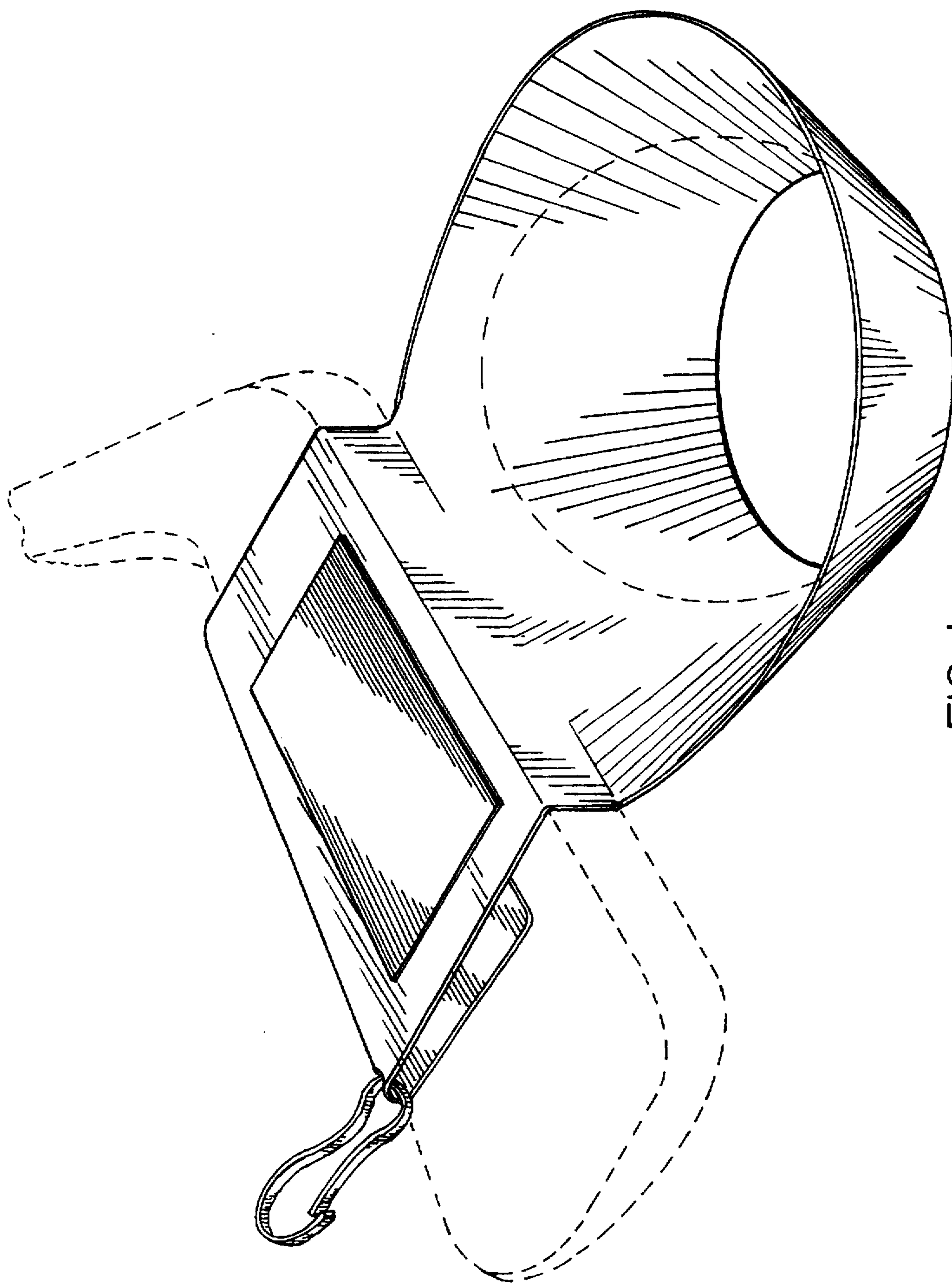


FIG. 1

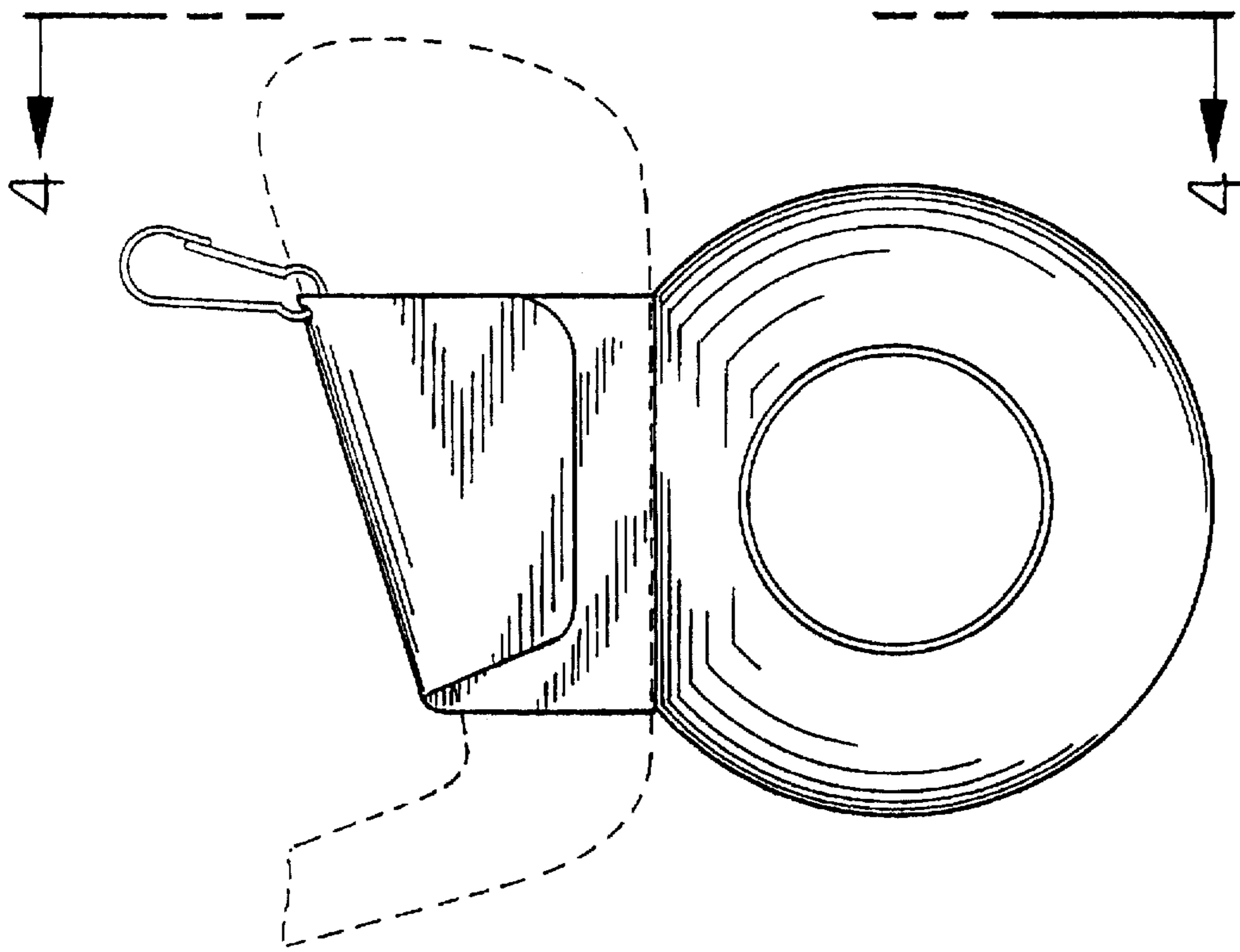


FIG. 3

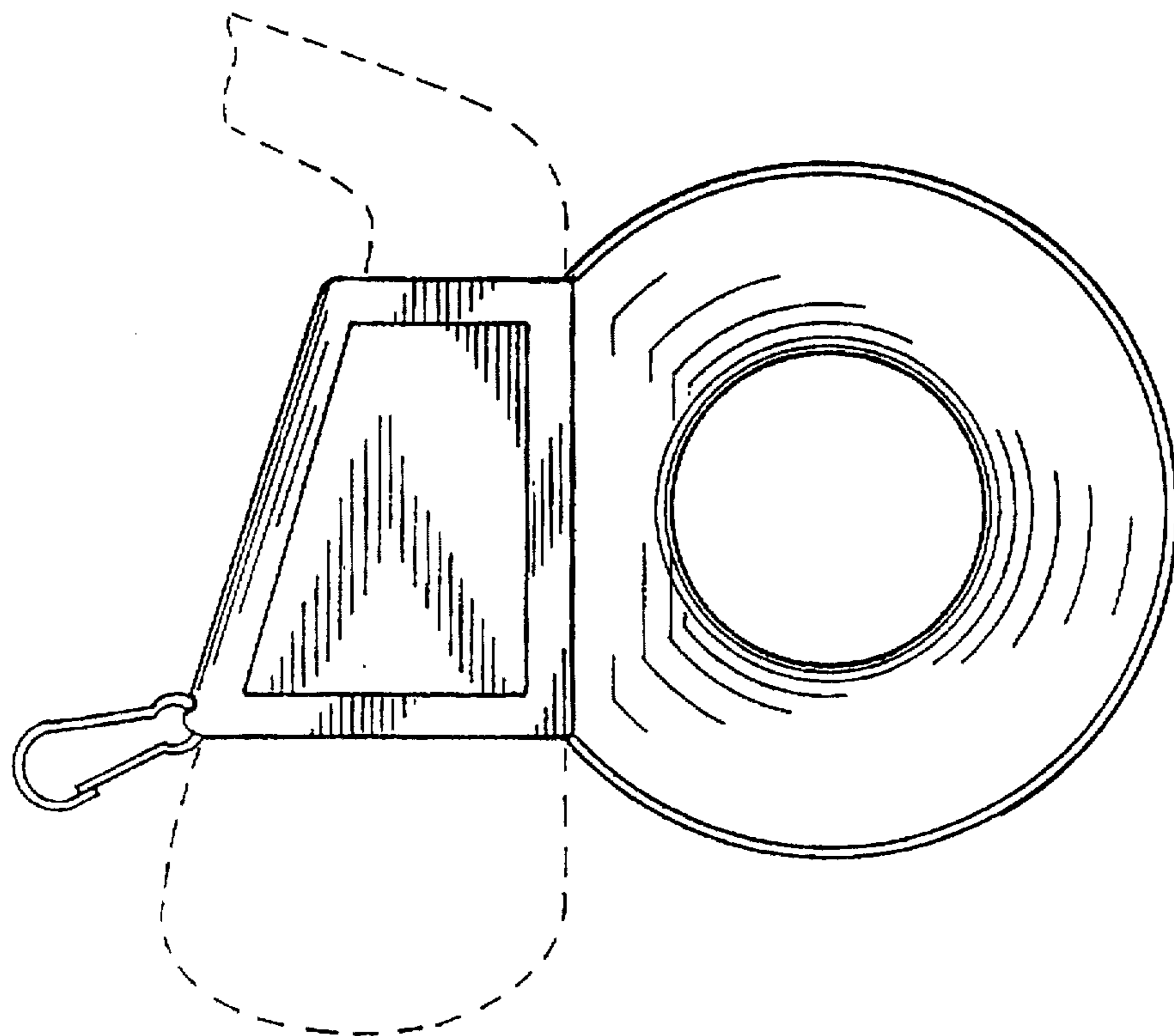


FIG. 2

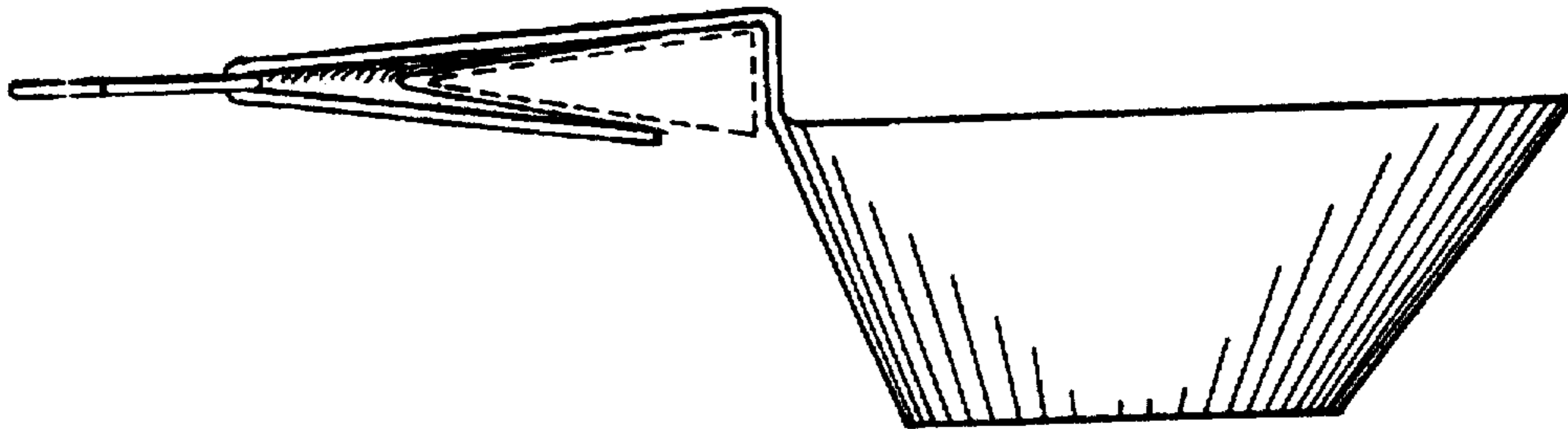


FIG. 4