



US00D388847S

United States Patent [19]

Whan-Tong et al.

[11] Patent Number: Des. 388,847

[45] Date of Patent: **Jan. 6, 1998

[54] CROSS TRAINING EXERCISER

[75] Inventors: **Janine Whan-Tong**, Woodinville; **Peter Pasero**, Renton; **David J. Littrell**, Lynnwood, all of Wash.; **Timothy O. Armstrong**, Providence, Utah

[73] Assignee: **Precor Incorporated**, Bothell, Wash.

[**] Term: **14 Years**

[21] Appl. No.: **47,654**

[22] Filed: **Dec. 8, 1995**

Related U.S. Application Data

[63] Continuation-in-part of Ser. No. 36,006, Mar. 16, 1995, Pat. No. Des. 372,282.

[51] LOC (6) Cl. **21-02**

[52] U.S. Cl. **D21/194**

[58] Field of Search D21/191, 192, D21/193, 194, 195; 482/51, 52, 53, 57, 70, 71, 62, 72, 60

4,185,622 1/1980 Swenson .
 4,505,473 3/1985 Pro .
 4,509,742 4/1985 Cones .
 4,645,200 2/1987 Hix .
 4,720,093 1/1988 Del Mar .
 4,779,863 10/1988 Yang .
 4,786,050 11/1988 Geschwender 482/57
 4,869,494 9/1989 Lambert, Sr. .
 4,949,954 8/1990 Hix .
 4,986,261 1/1991 Iams et al. .
 5,038,758 8/1991 Iams et al. .
 5,039,088 8/1991 Shifferaw .
 5,149,312 9/1992 Croft et al. .
 5,242,343 9/1993 Miller .
 5,279,529 1/1994 Eschenbach .
 5,279,530 1/1994 Hess .
 5,290,211 3/1994 Stearns .
 5,352,169 10/1994 Eschenbach 482/52
 5,383,829 1/1995 Miller 482/57
 5,403,255 4/1995 Johnston .
 5,423,729 6/1995 Eschenbach .
 5,518,473 5/1996 Miller 482/52

Primary Examiner—Philip S. Hyder
 Attorney, Agent, or Firm—Christensen O'Connor Johnson & Kindness PLLC

[56] References Cited

U.S. PATENT DOCUMENTS

219,439 9/1879 Blend .
 D. 330,236 10/1992 Jarriel et al. D21/194
 518,757 5/1894 Hoyt .
 1,323,004 11/1919 Boyd .
 2,603,486 7/1952 Hughes .
 2,641,249 6/1953 Brockman .
 2,826,192 3/1958 Mangas .
 2,892,455 6/1959 Hutton .
 3,316,898 5/1967 Brown .
 3,475,021 10/1969 Ruegsegger .
 3,566,861 3/1971 Weiss .
 3,713,438 1/1973 Knutsen .
 3,759,511 9/1973 Zinkin et al. .
 3,824,994 7/1974 Soderberg, Sr. .

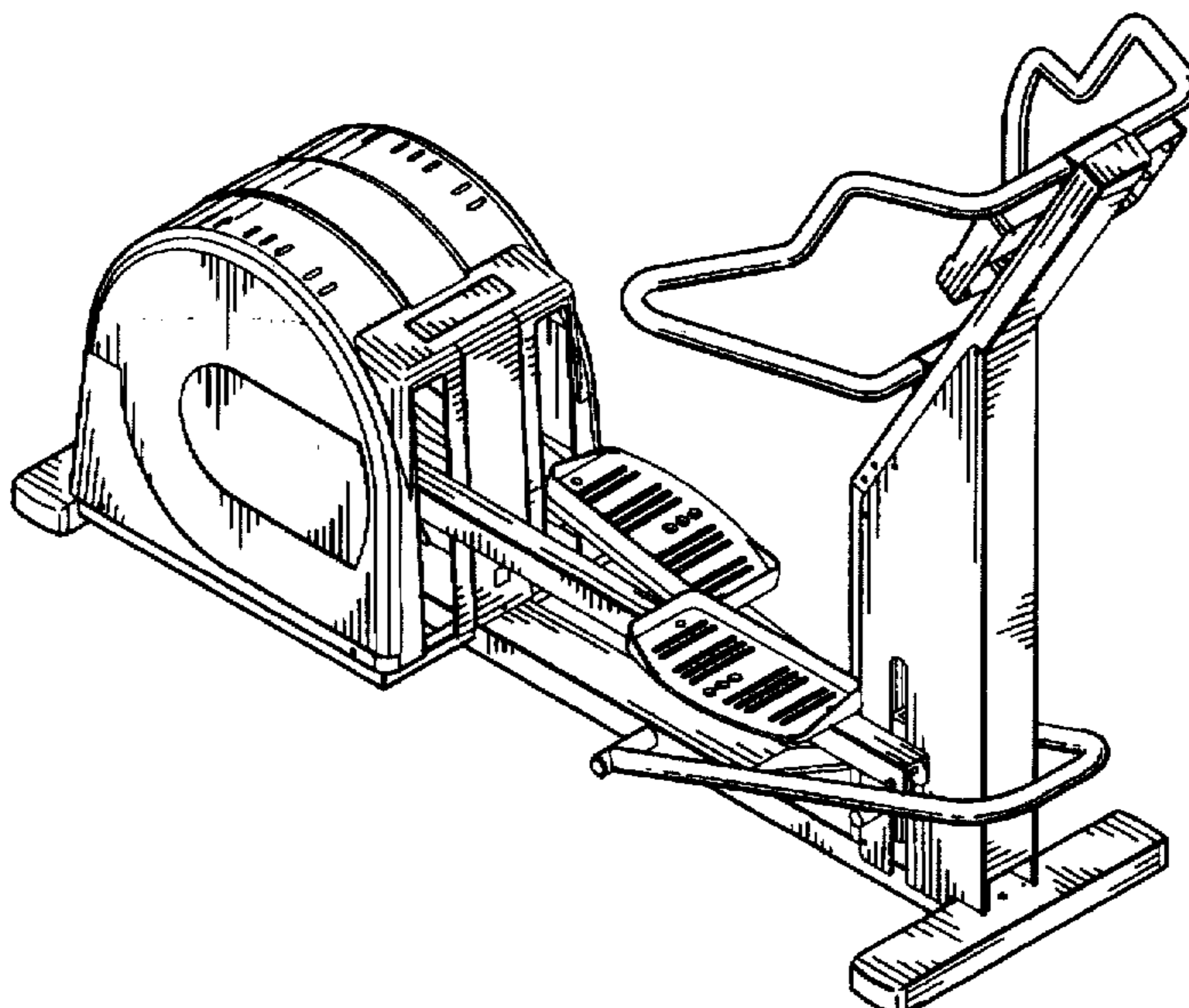
[57] CLAIM

The ornamental design for a cross training exerciser, as shown and described.

DESCRIPTION

FIG. 1 is a perspective view of the cross training exerciser showing our new design;
 FIG. 2 is a side elevational view thereof, the opposite side being a mirror image thereof except for the pedals being in an alternate position;
 FIG. 3 is a top view thereof;
 FIG. 4 is a bottom view thereof;
 FIG. 5 is a front elevational view thereof; and,
 FIG. 6 is a rear elevational view thereof.

1 Claim, 3 Drawing Sheets



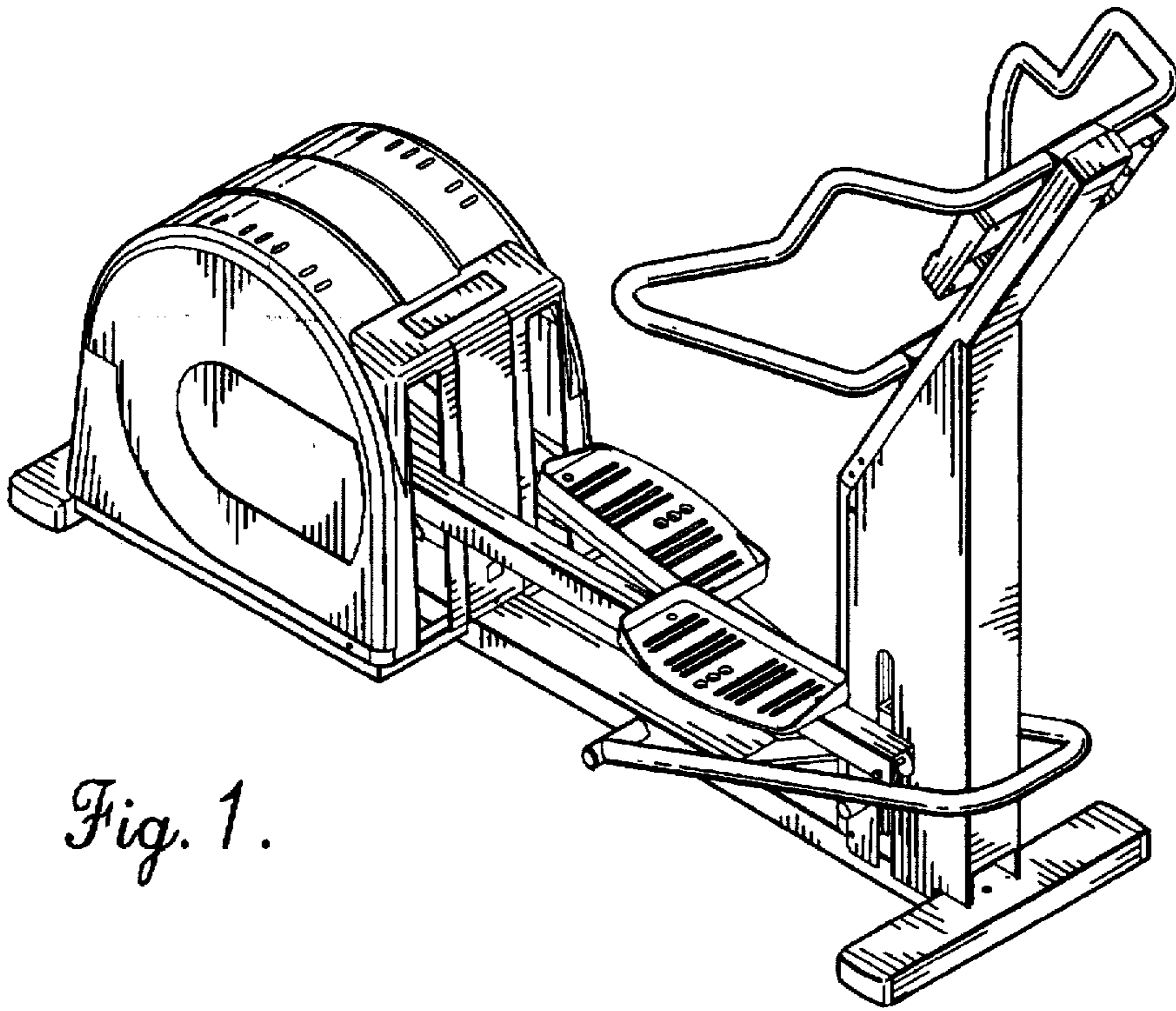


Fig. 1.

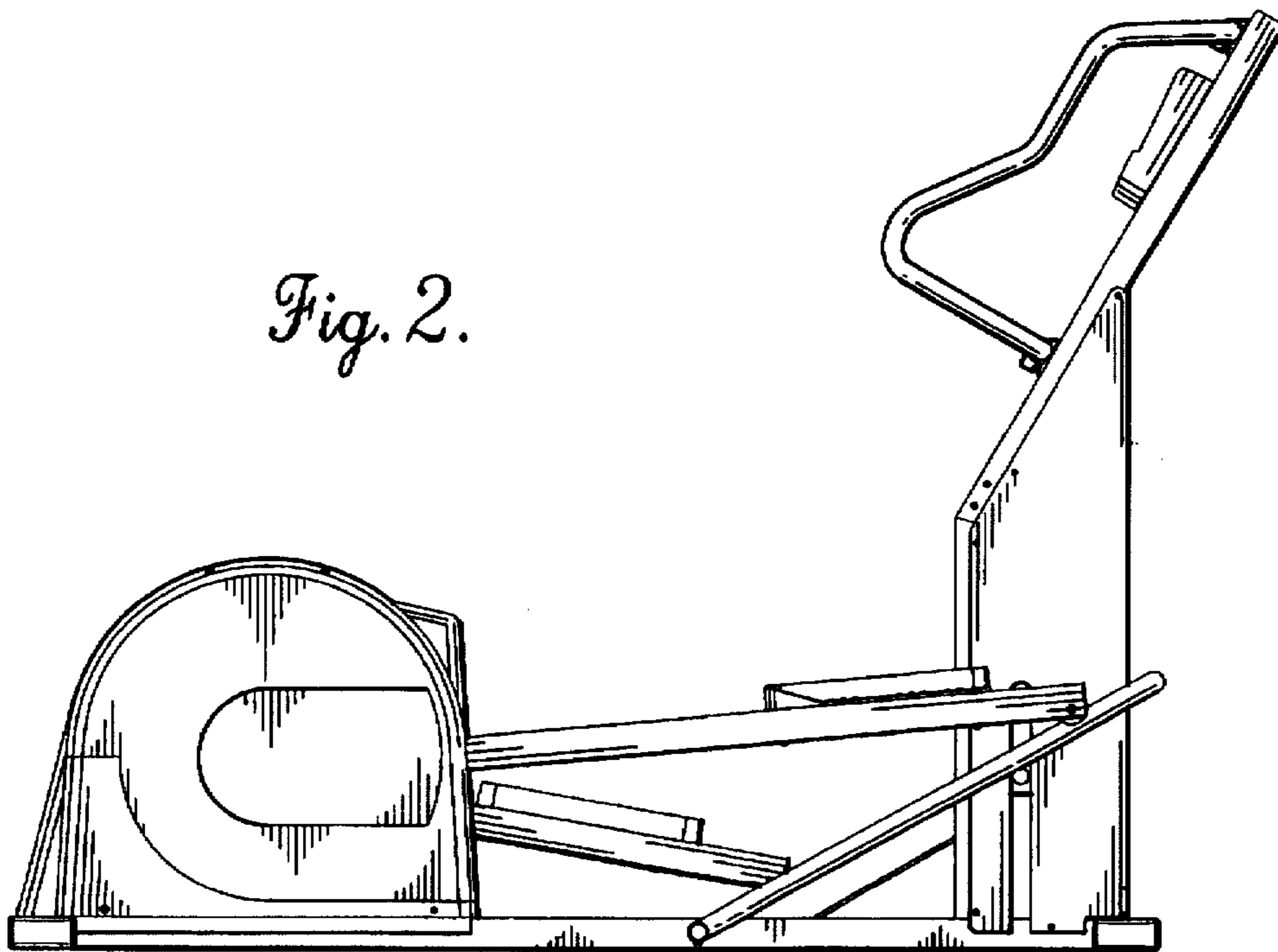


Fig. 2.

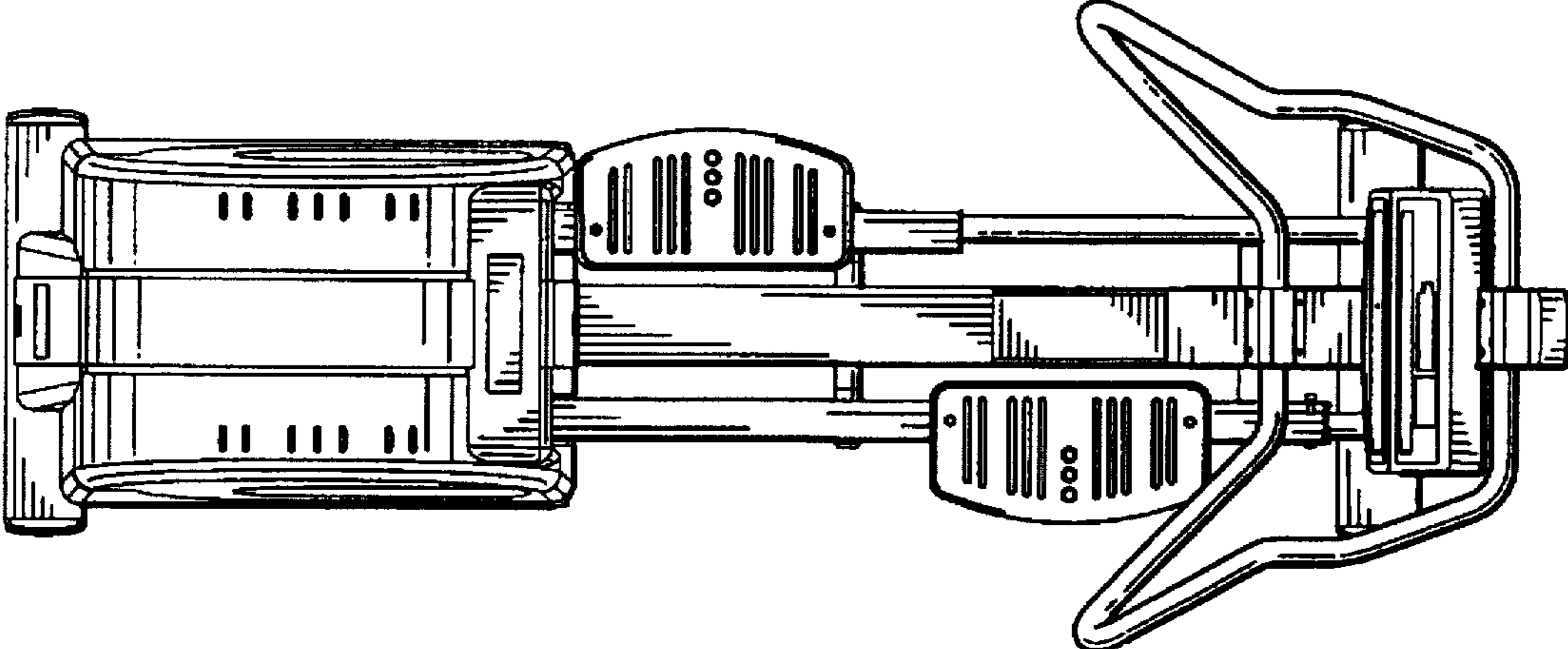


Fig. 3.

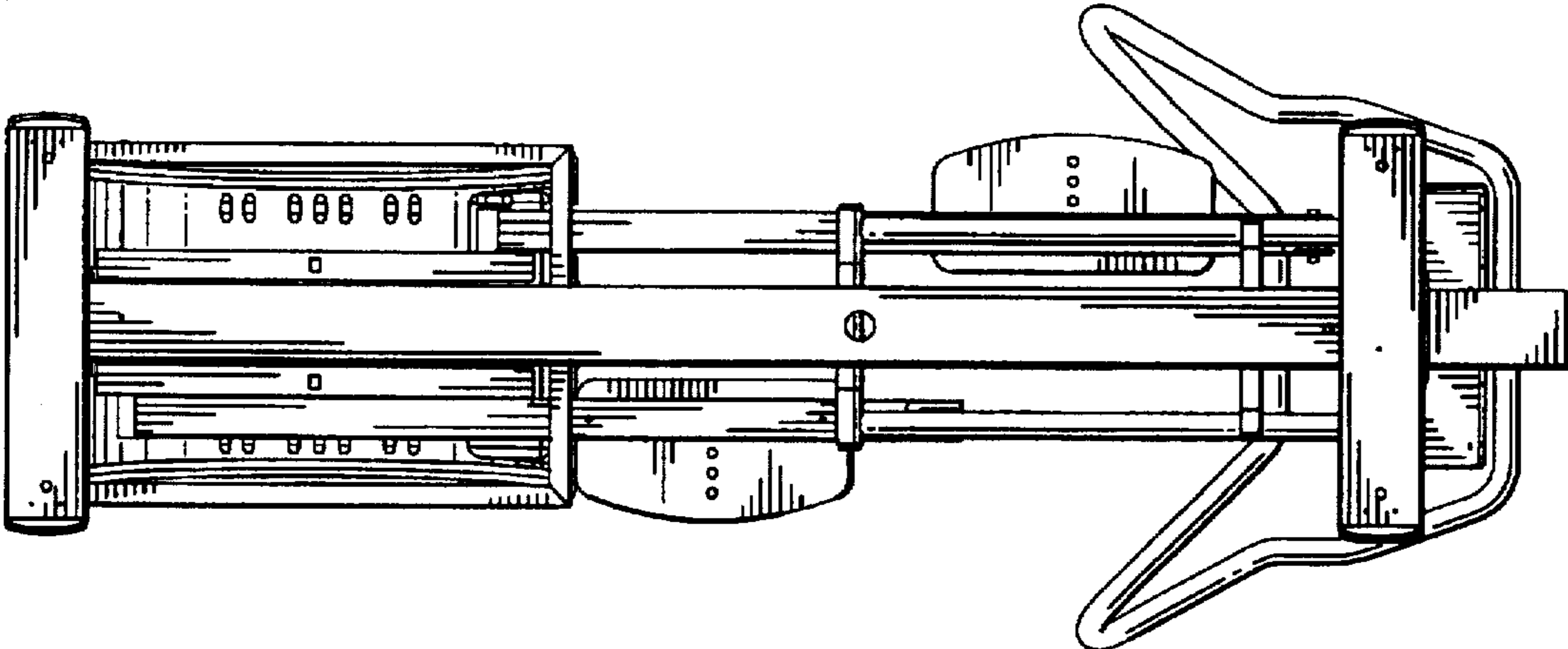


Fig. 4.

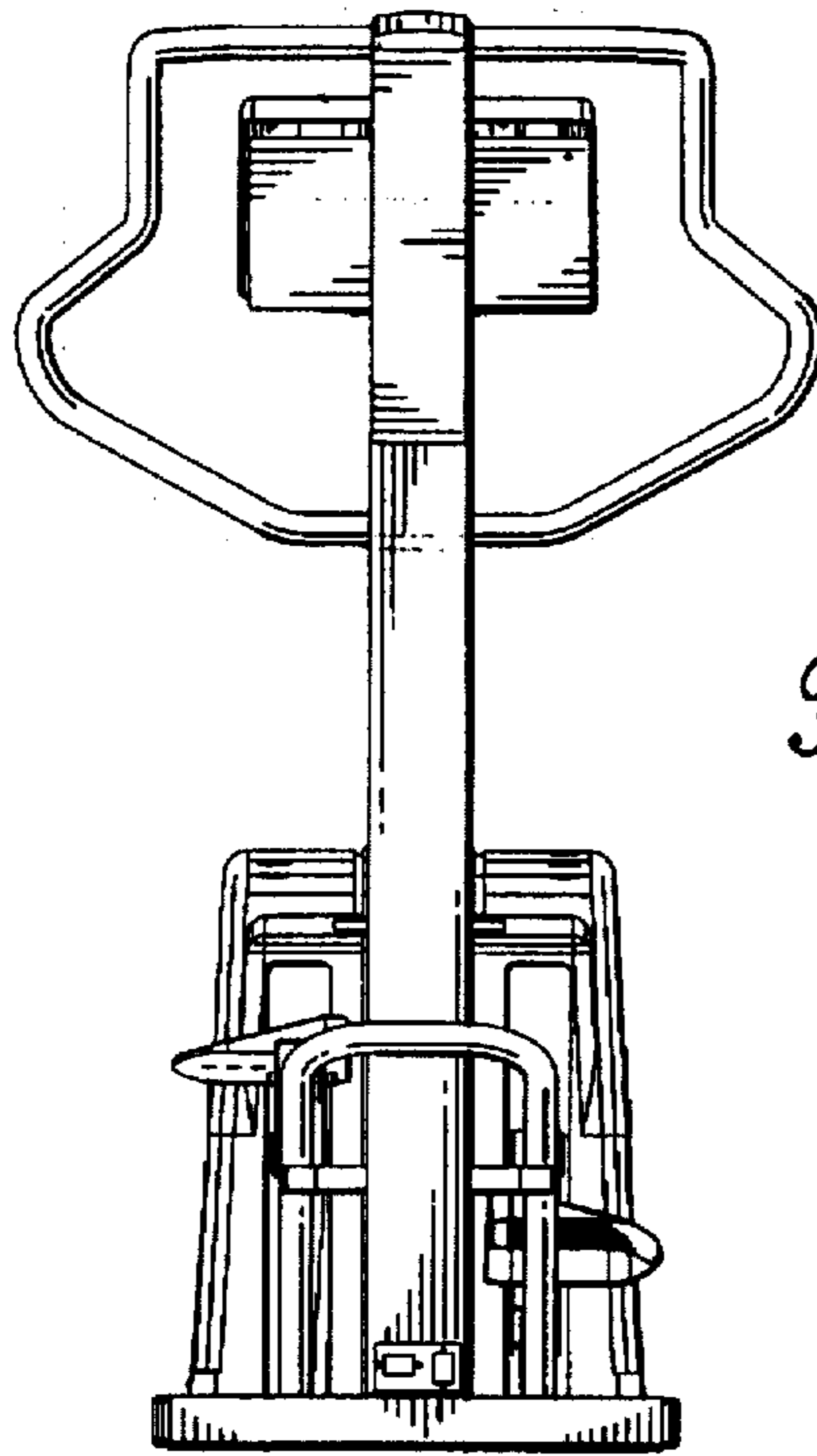


Fig. 5.

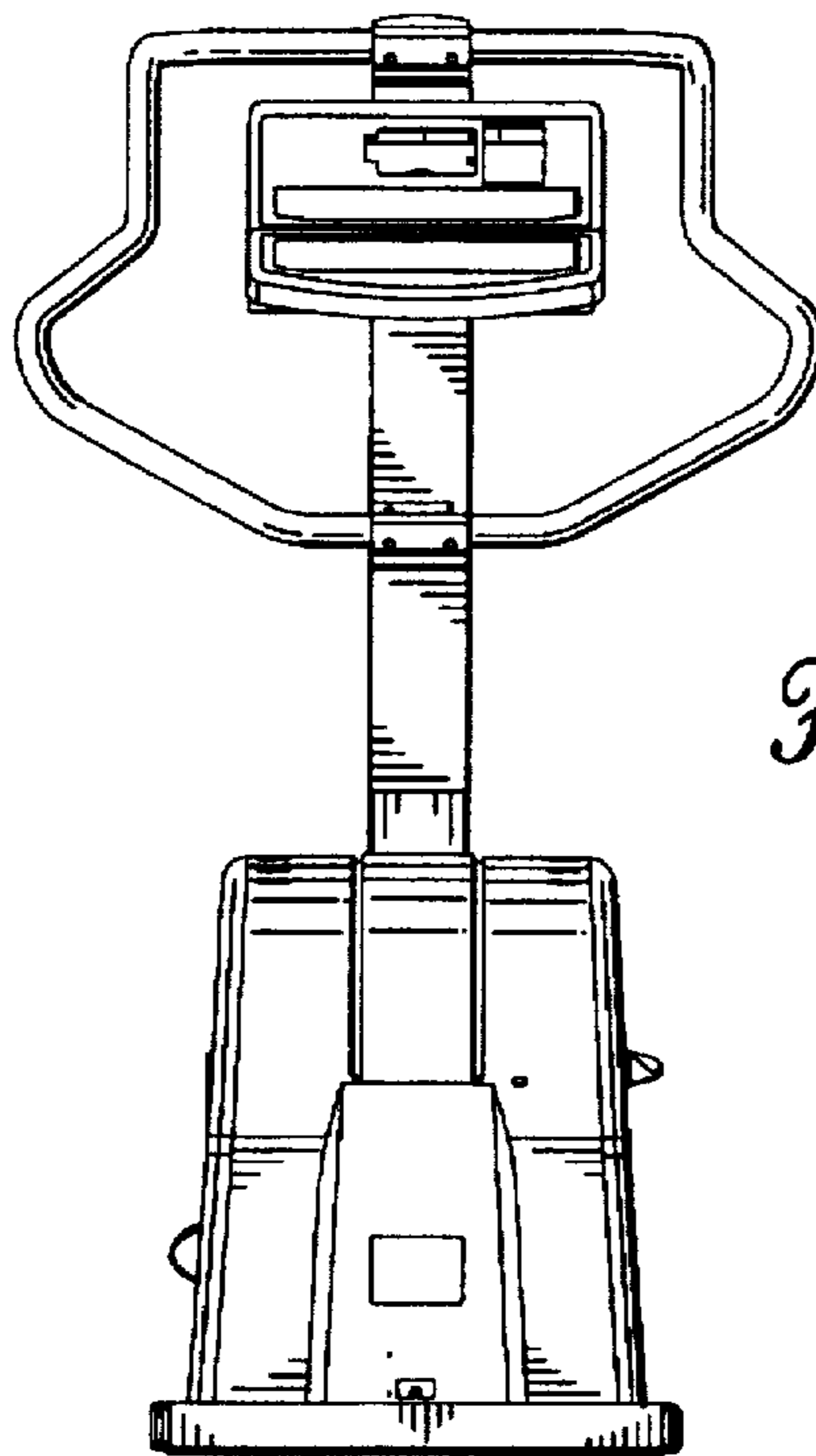


Fig. 6.

UNITED STATES PATENT AND TRADEMARK OFFICE
CERTIFICATE OF CORRECTION

PATENT NO. : Des. 388,847 S
APPLICATION NO. : 29/047654
DATED : January 6, 1998
INVENTOR(S) : J. Whan-Tong et al.

Page 1 of 2

It is certified that error appears in the above-identified patent and that said Letters Patent is hereby corrected as shown below:

<u>COLUMN</u>	<u>LINE</u>	<u>ERROR</u>
[56]	Refs. Cited	Please insert the following references:
Pg. 1, col. 1	(U.S. Pats.)	--3,432,164 03/11/1969 Deeks
		4,023,795 05/17/1977 Pauls
		4,053,173 10/11/1977 Chase, Sr.
		4,188,030 02/12/1980 Hooper
		4,379,566 04/12/1983 Titcomb
		4,456,276 06/26/1984 Bortolin
		4,555,109 11/26/1985 Hartmann
		4,561,318 12/31/1985 Schirmmacher
		4,679,786 07/14/1987 Rodgers
		4,989,857 02/05/1991 Kuo
		5,039,087 08/13/1991 Kuo
		5,131,895 07/21/1992 Rogers, Jr.
		5,186,697 02/16/1993 Rennex
		5,295,928 03/22/1994 Rennex
		5,299,993 04/05/1994 Habing
		5,401,226 03/28/1995 Stearns
		5,499,956 03/19/1996 Habing et al.
		5,518,473 05/21/1996 Miller
		5,527,246 06/18/1996 Rodgers, Jr.
		5,529,554 06/25/1996 Eschenbach--
[56]	Refs. Cited	Please insert the following reference:
Pg. 1, col. 2	(Foreign Pats.)	--2919494 11/1980 Germany--
[56]	Refs. Cited	Please insert the following references:
Pg. 1, col. 2	(Foreign Pats.)	--0206208 7/1937 Switzerland
		1600816 10/1990 U.S.S.R.--

UNITED STATES PATENT AND TRADEMARK OFFICE
CERTIFICATE OF CORRECTION

PATENT NO. : Des. 388,847 S
APPLICATION NO. : 29/047654
DATED : January 6, 1998
INVENTOR(S) : J. Whan-Tong et al.

Page 2 of 2

It is certified that error appears in the above-identified patent and that said Letters Patent is hereby corrected as shown below:

<u>COLUMN</u>	<u>LINE</u>	<u>ERROR</u>
[56] Pg. 1, col. 2	Refs. Cited (Other Publs.)	Please insert the following reference: --Screen shot of TV infomercial regarding Body Strider from Body by Jake--

Signed and Sealed this

Twenty-third Day of October, 2007



JON W. DUDAS

Director of the United States Patent and Trademark Office