



US00D388842S

United States Patent [19]

Delorme et al.

[11] Patent Number: **Des. 388,842**

[45] Date of Patent: ****Jan. 6, 1998**

[54] **BABY STROLLER**

[75] Inventors: **Joseph P. Delorme, Yakima; Michael F. Arnold, Bothell; Christopher J. Durnbaugh, Yakima, all of Wash.**

[73] Assignee: **Racing Strollers, Inc., Yakima, Wash.**

[**] Term: **14 Years**

[21] Appl. No.: **60,804**

[22] Filed: **Oct. 7, 1996**

[51] LOC (6) Cl. **12-12**

[52] U.S. Cl. **D12/129; D12/128**

[58] Field of Search **D12/128, 129; 280/644, 643, 642, 647, 648, 650, 33.998, 47.38, 62**

[56] **References Cited**

U.S. PATENT DOCUMENTS

D. 297,525	9/1988	Baechler	D12/129
D. 301,850	6/1989	Clement et al.	D12/129
D. 315,885	4/1991	Jacobs	D12/129
D. 343,812	2/1994	Baechler et al.	D12/129
D. 350,923	9/1994	Schmidlin et al.	D12/12
D. 356,760	3/1995	Baechler	D12/129
D. 369,579	5/1996	Baechler	D12/133
D. 369,992	5/1996	Baechler	D12/129
D. 370,194	5/1996	Baechler et al.	D12/129
4,902,027	2/1990	Skelly	280/33.998
4,934,728	6/1990	Chen	280/644
4,953,880	9/1990	Sudakoff et al.	280/47.38
5,029,891	7/1991	Jacobs	280/650
5,076,599	12/1991	Lockett et al.	280/204
5,123,670	6/1992	Chen	280/650
5,176,395	1/1993	Garforth-Bles	280/415.1
5,188,389	2/1993	Baechler et al.	280/650
5,224,720	7/1993	Chaw et al.	280/62
5,259,634	11/1993	Berner et al.	280/204

5,259,635	11/1993	Picker	280/250.1
5,299,825	4/1994	Smith	280/644
5,344,171	9/1994	Garforth-Bles	280/415.1
5,356,171	10/1994	Schmidlin et al.	280/650
5,364,119	11/1994	Leu	280/647
5,460,399	10/1995	Baechler et al.	280/650
5,476,275	12/1995	Baechler et al.	280/47.38

FOREIGN PATENT DOCUMENTS

2 244 029 11/1991 United Kingdom .

Primary Examiner—Kay H. Chin
Attorney, Agent, or Firm—Seed and Berry LLP

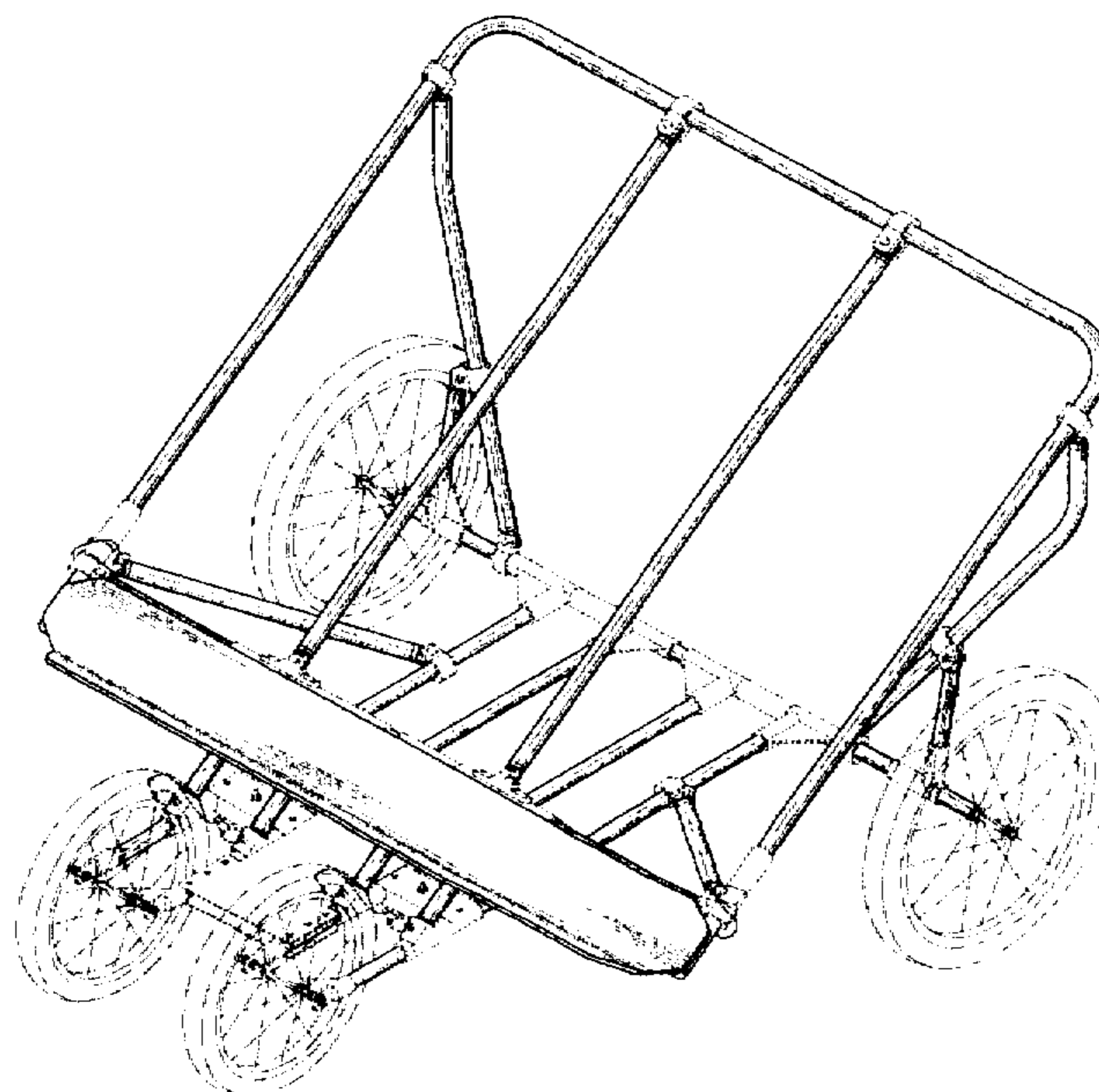
[57] **CLAIM**

The ornamental design for a baby stroller, as shown and described.

DESCRIPTION

FIG. 1 is a front perspective view of a baby stroller showing our new design;
 FIG. 2 is a front elevational view thereof;
 FIG. 3 is a rear elevational view thereof;
 FIG. 4 is a top plan view thereof;
 FIG. 5 is a bottom plan view thereof;
 FIG. 6 is a left side elevational view thereof, the right side being identical;
 FIG. 7 is a second front perspective view thereof, with a portion of the broken lines removed to more clearly show the claimed subject matter;
 FIG. 8 is a second front elevational view thereof;
 FIG. 9 is a second rear elevational view thereof;
 FIG. 10 is a second top plan view thereof;
 FIG. 11 is a second bottom plan view thereof; and,
 FIG. 12 is a second left side elevational view thereof, the right side being identical.
 The broken lines are for illustrative purposes only and form no part of the claimed design.

1 Claim, 8 Drawing Sheets



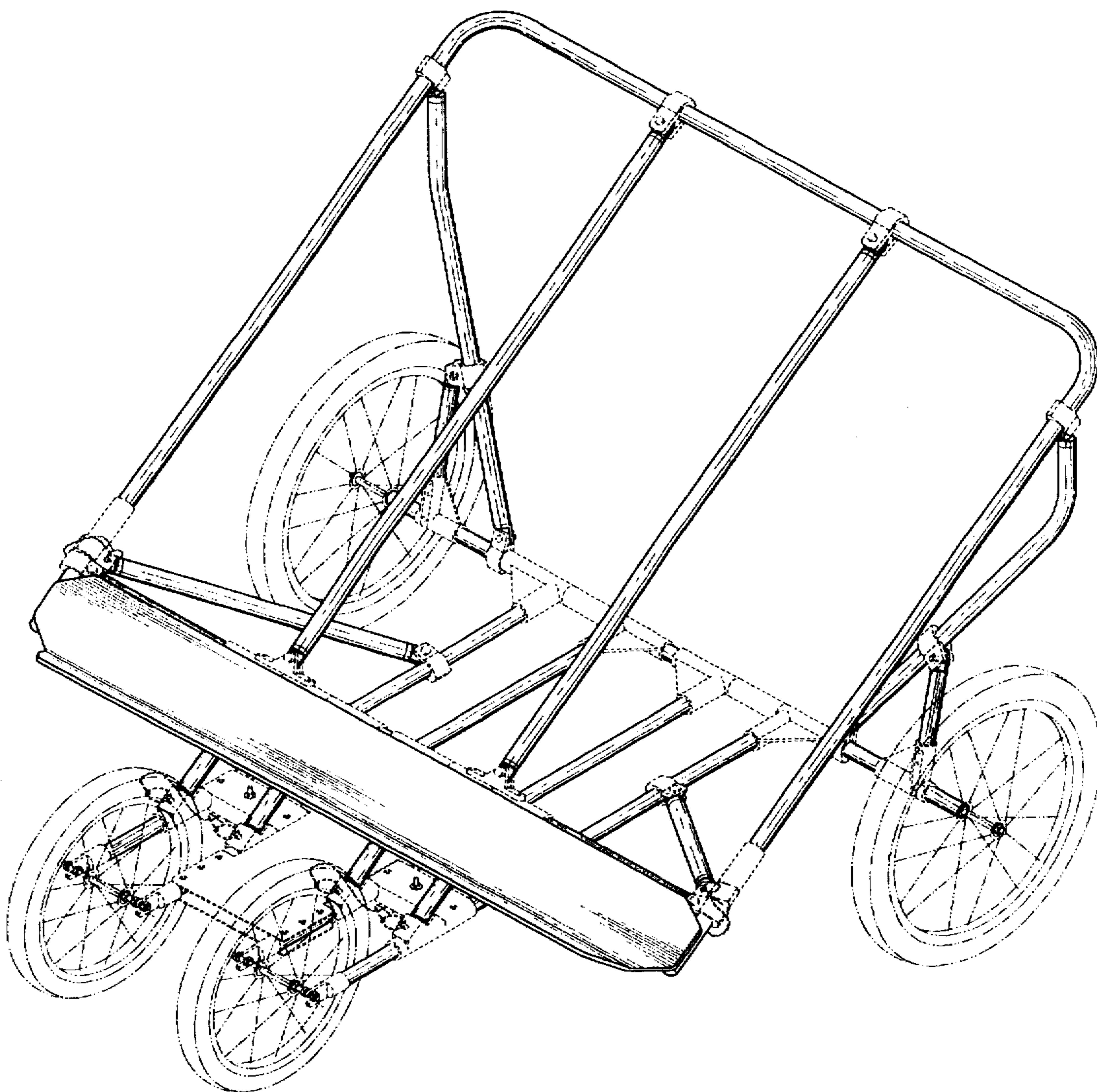


Fig. 1

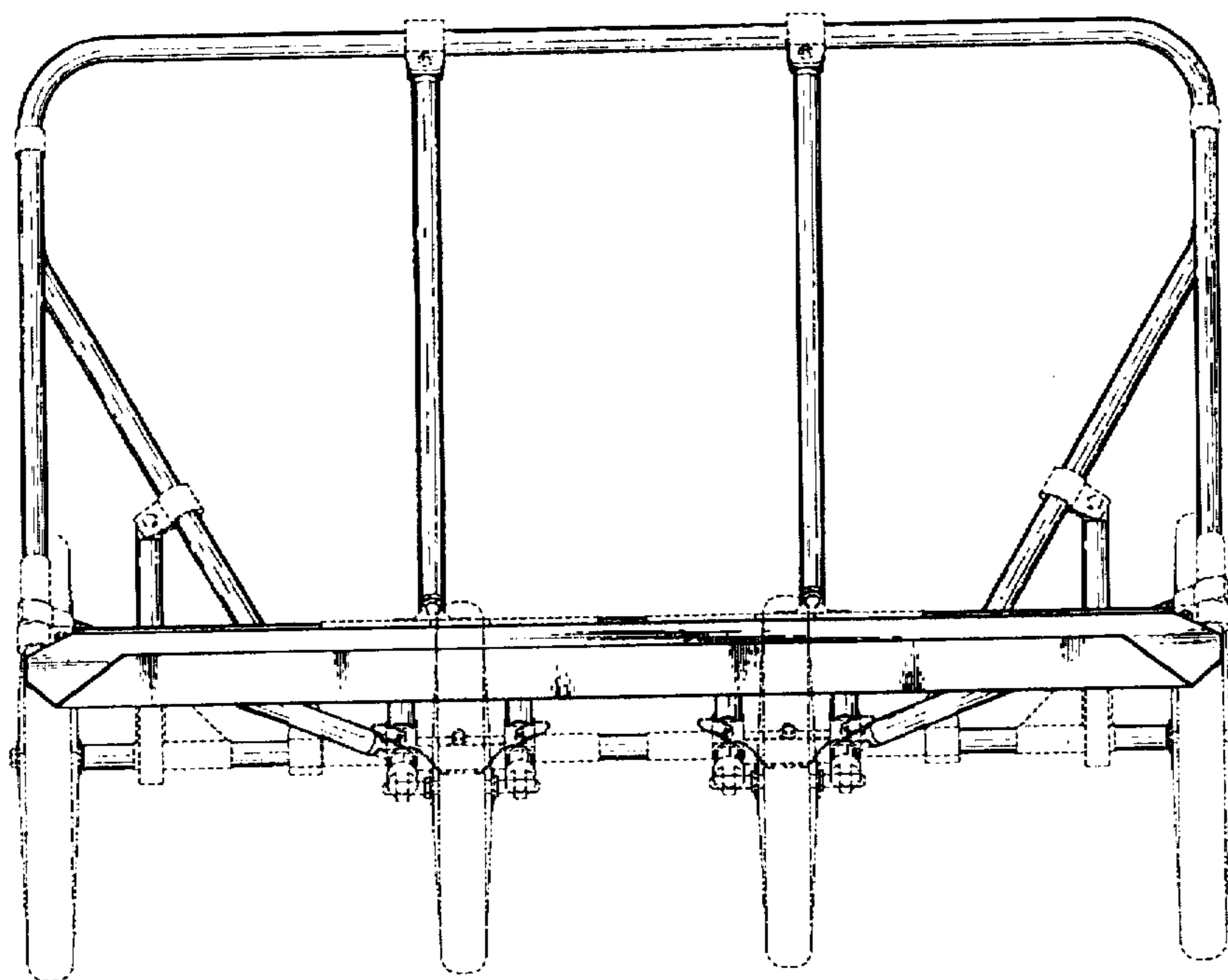


Fig. 2

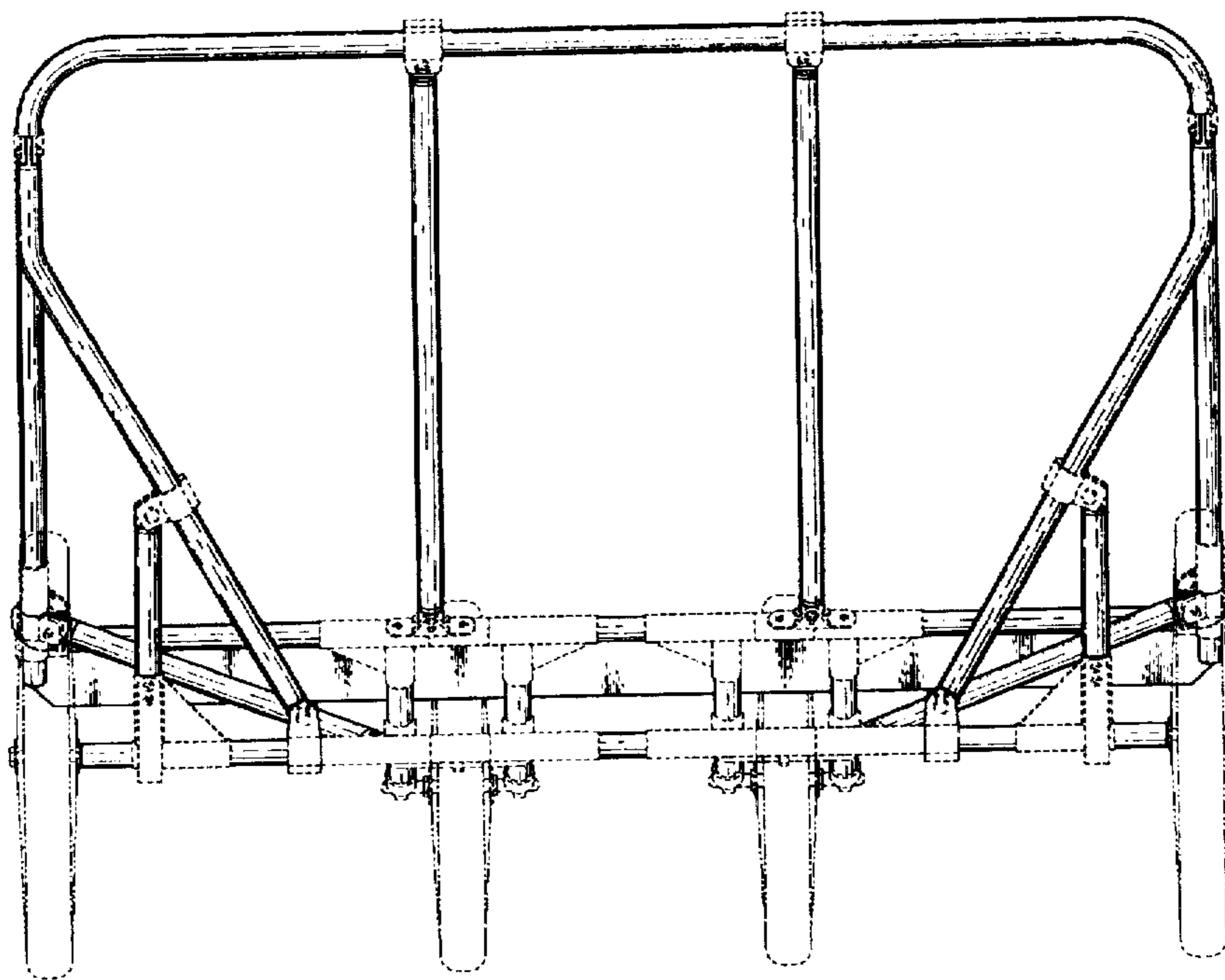


Fig. 3

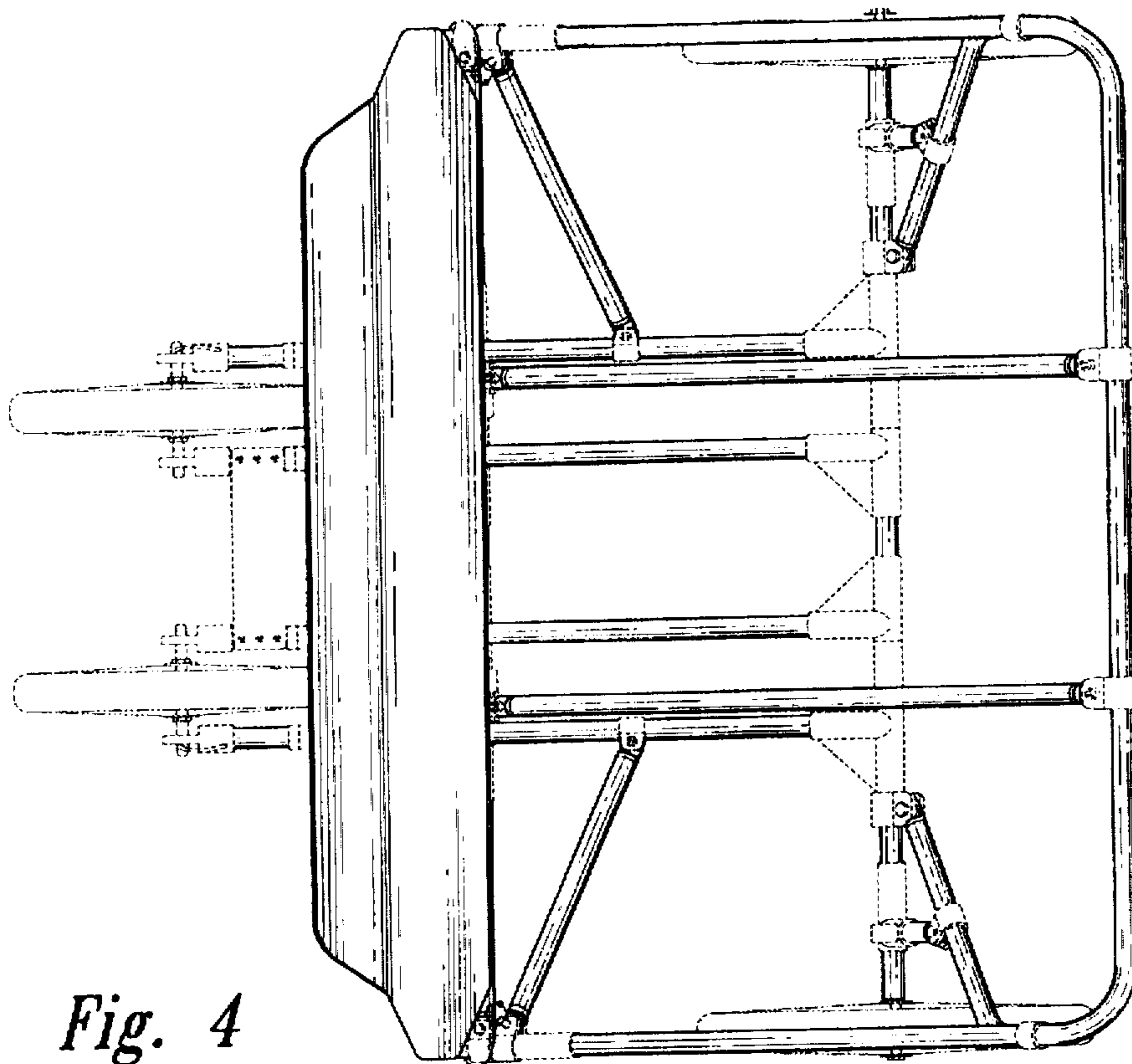


Fig. 4

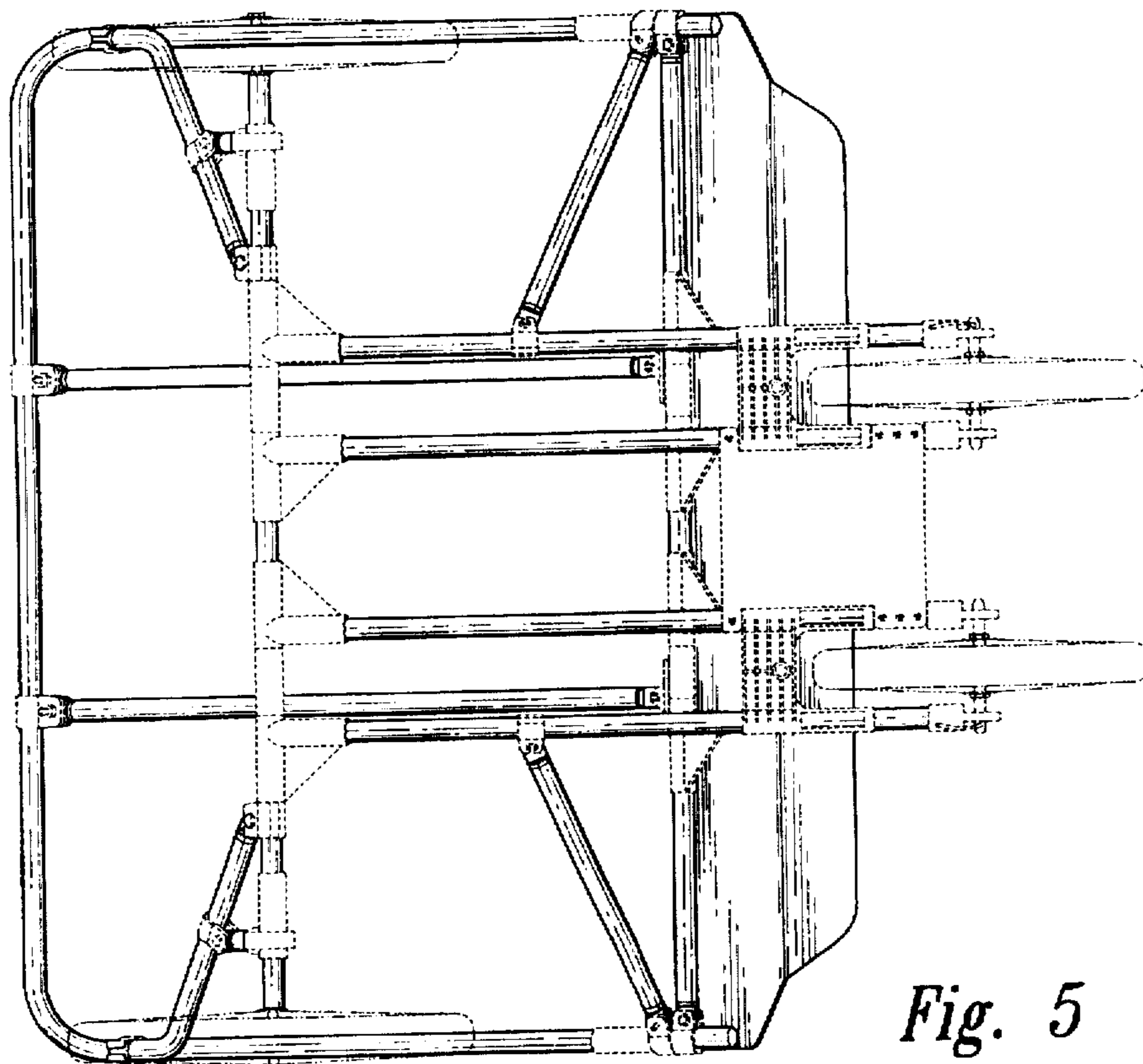


Fig. 5

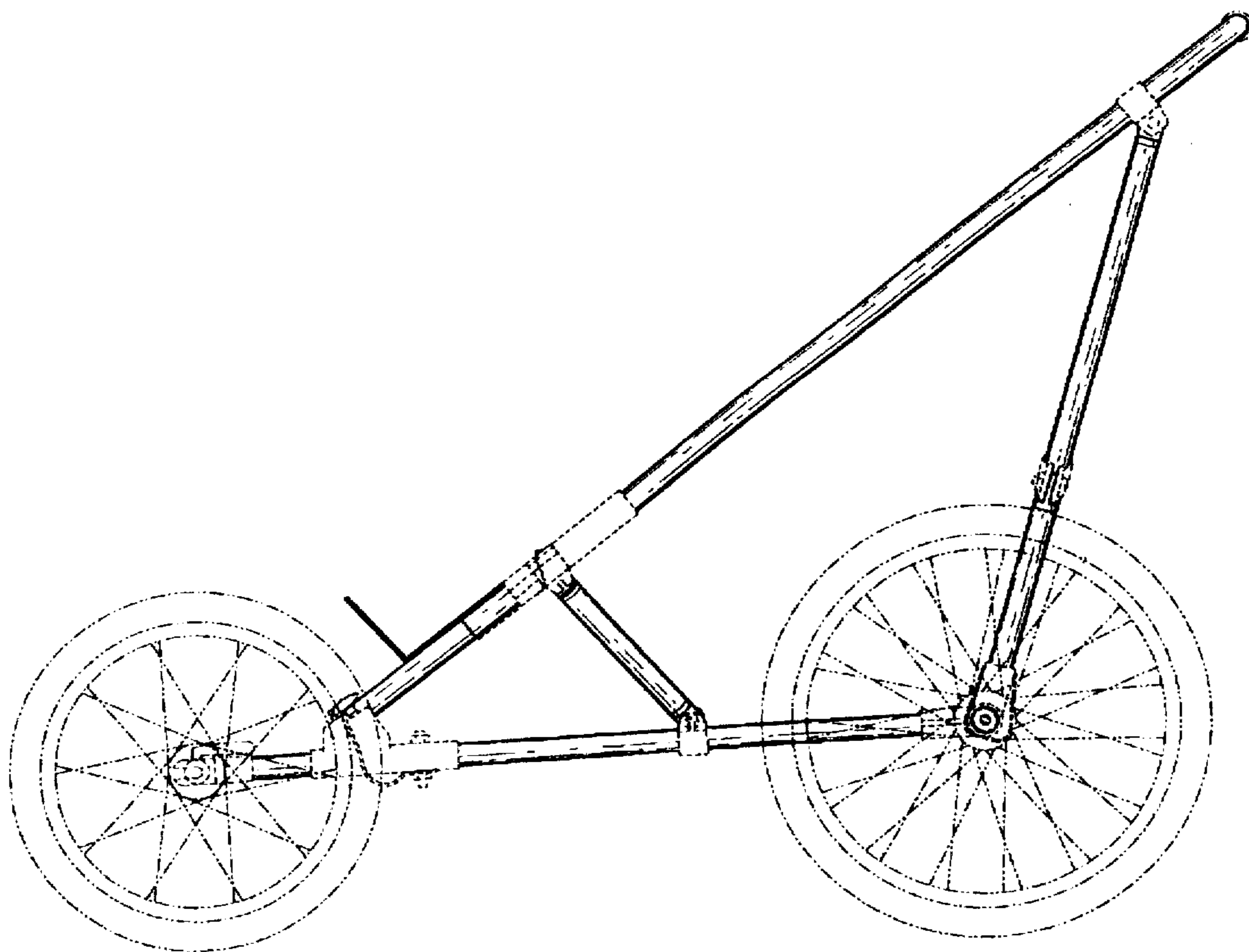


Fig. 6

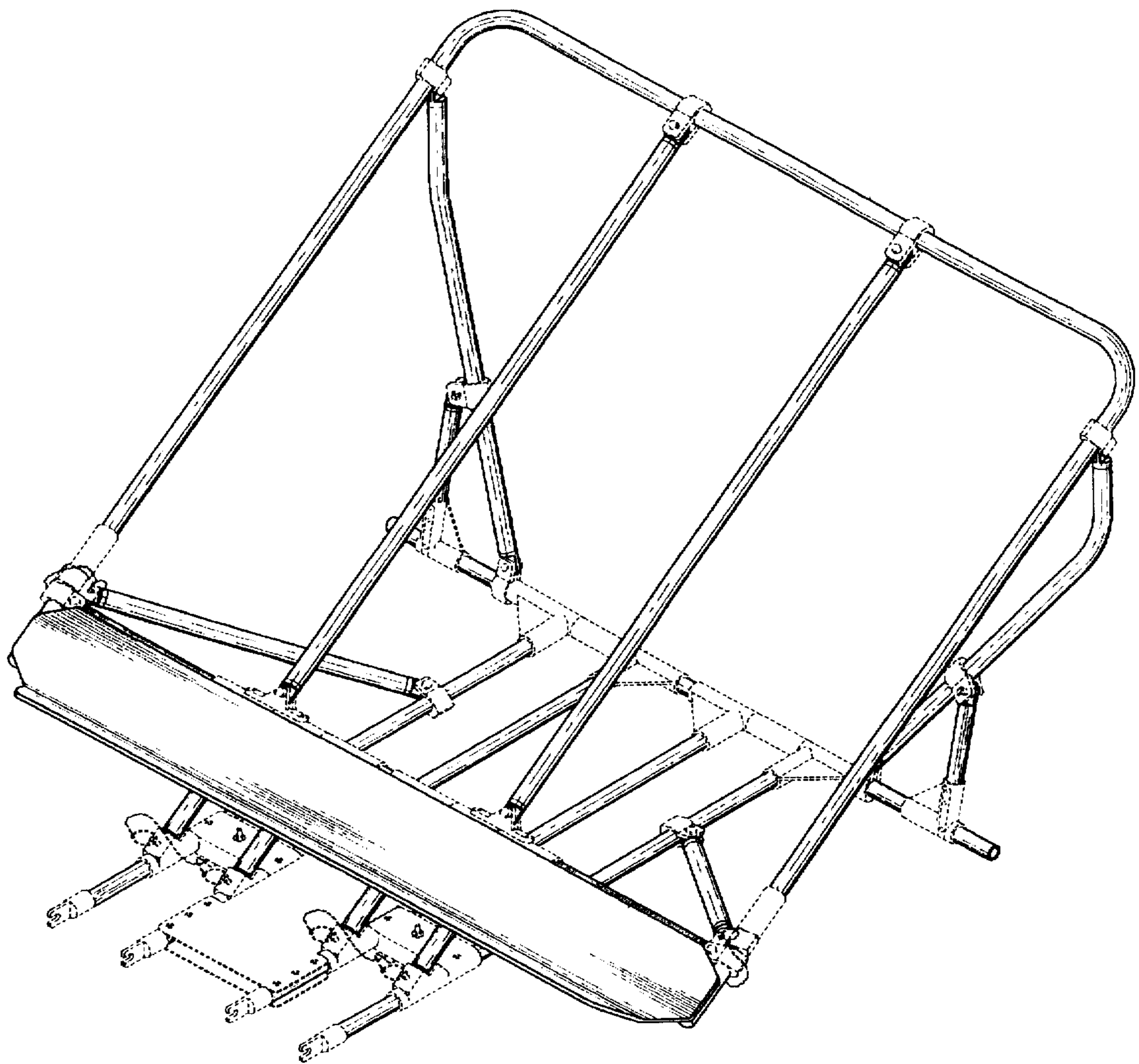


Fig. 7

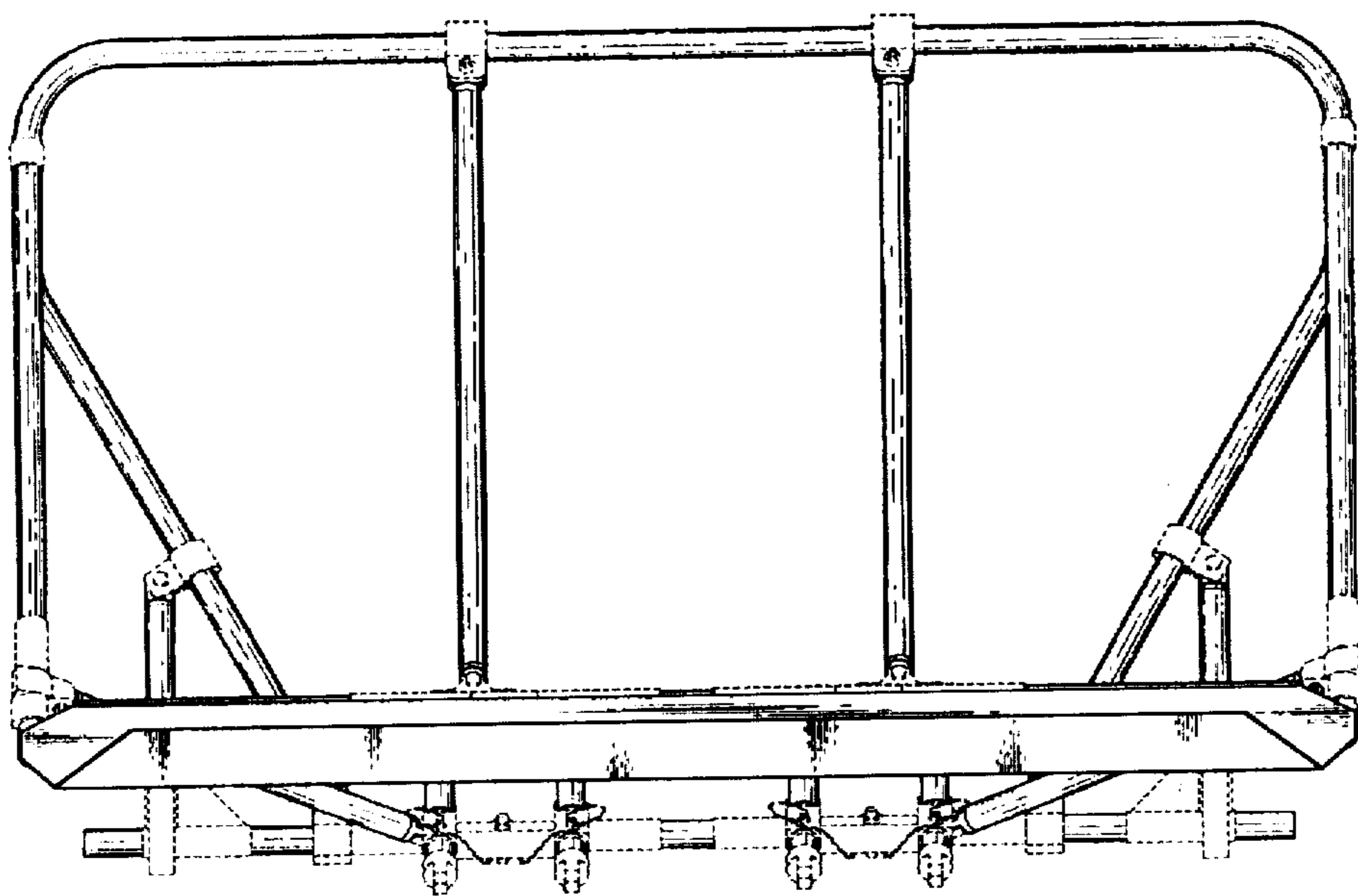


Fig. 8

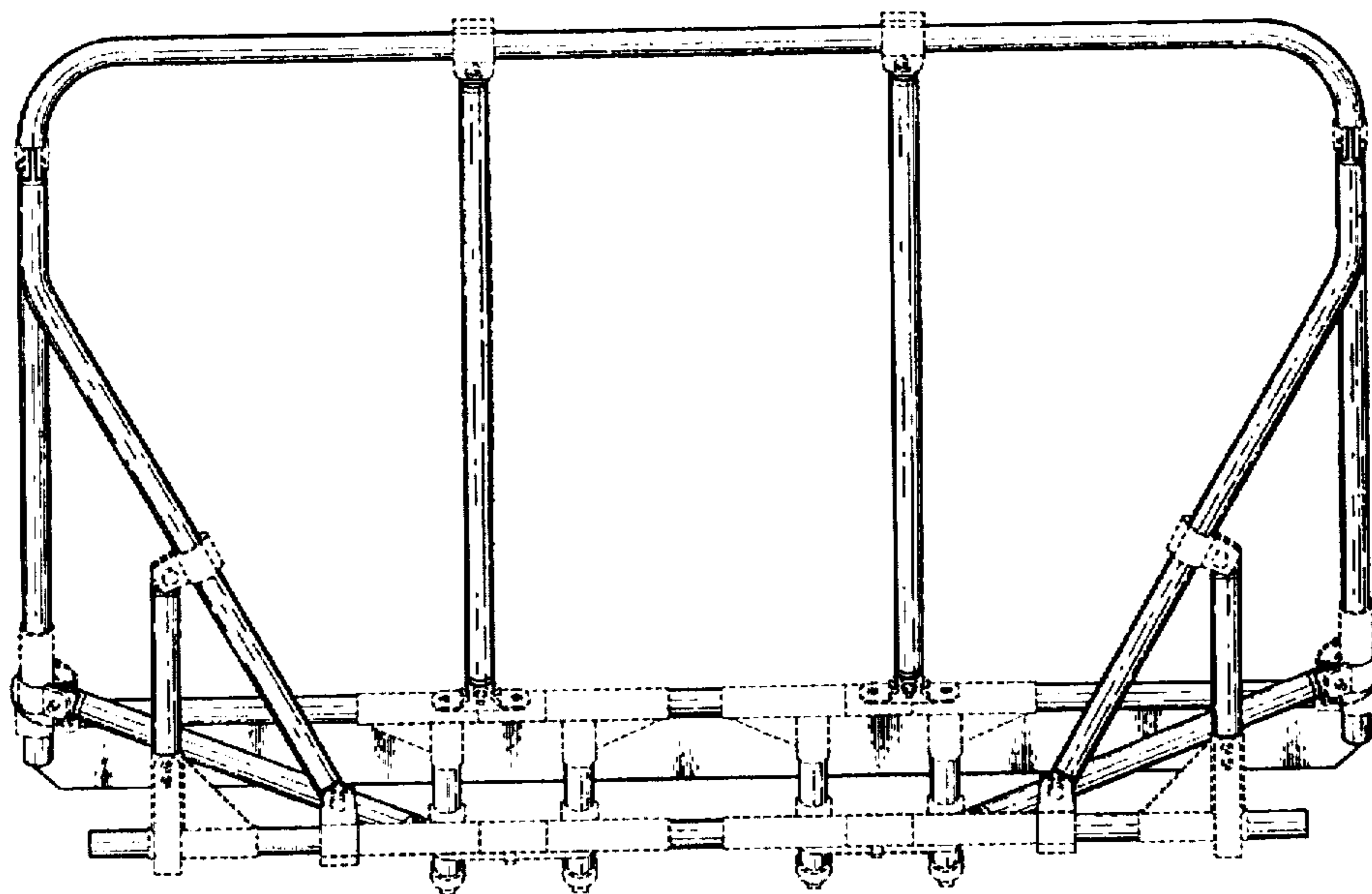


Fig. 9

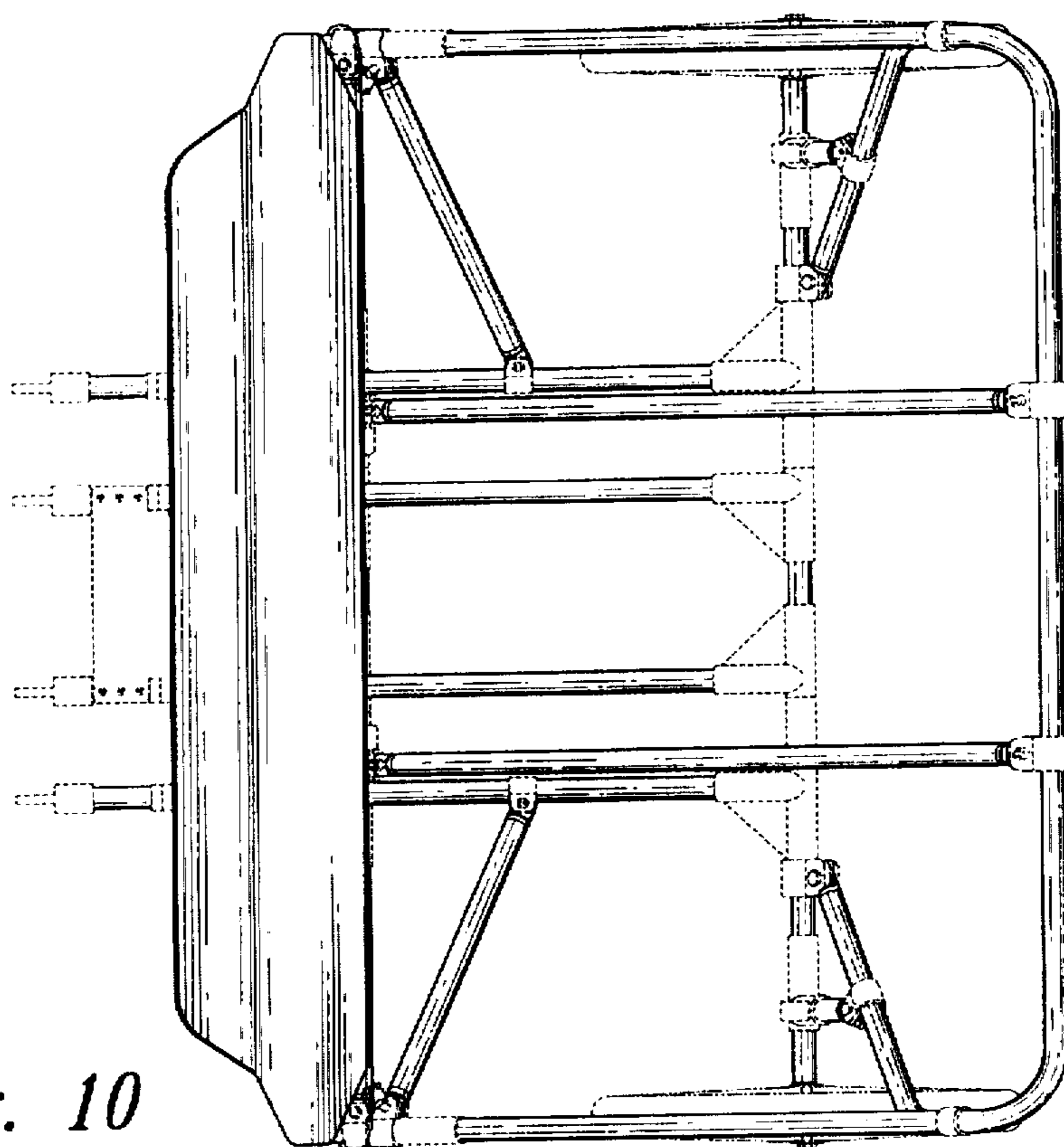


Fig. 10

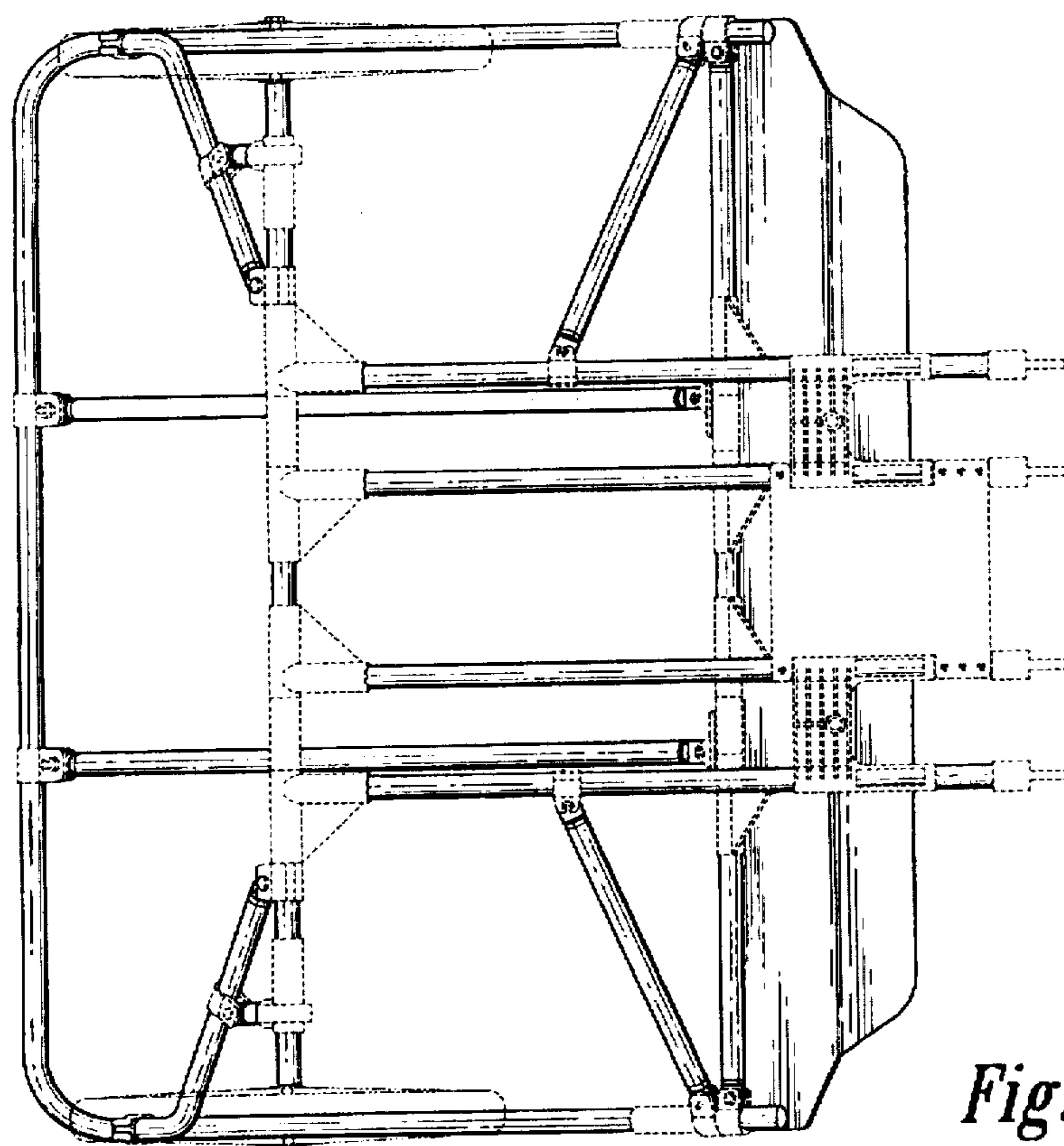


Fig. 11

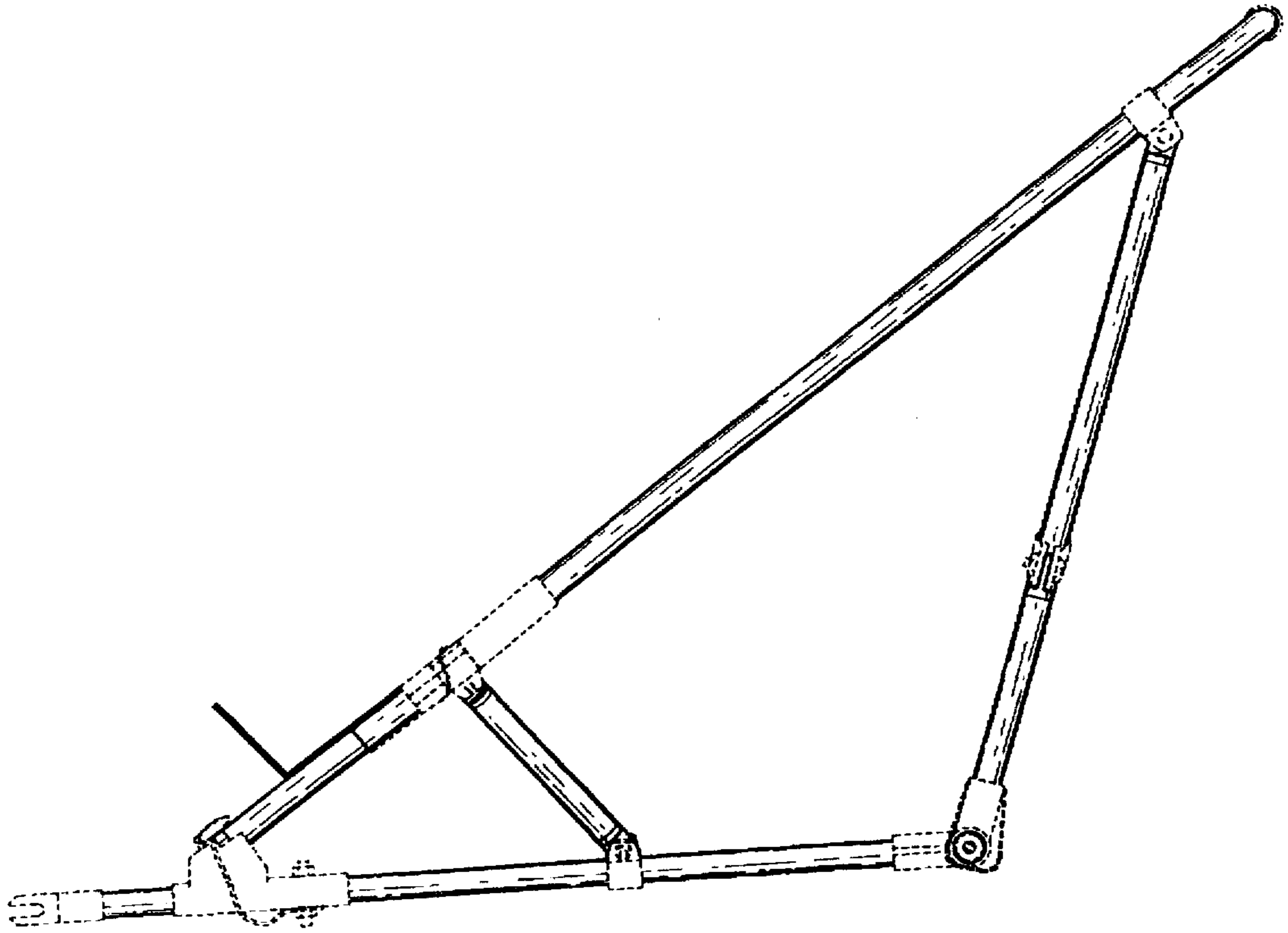


Fig. 12