



US00D388835S

United States Patent [19]

Yamaguchi

[11] Patent Number: Des. 388,835

[45] Date of Patent: **Jan. 6, 1998

[54] OPERATING APPARATUS FOR A RACING GAME MACHINE

5,299,810	4/1994	Pierce et al.	463/30 X
5,324,036	6/1994	Morrow	463/46 X
5,456,468	10/1995	Stringfellow et al.	463/46

[75] Inventor: Takashi Yamaguchi, Zama, Japan

OTHER PUBLICATIONS

[73] Assignee: Konami Co., Ltd., Hyogo-ken, Japan

Sega Enterprises, 1994, Daytona USA.
Vending Times, Oct. 1977, p. 97.

[**] Term: 14 Years

Primary Examiner—Prabhakar G. Deshmukh
Attorney, Agent, or Firm—Jordan and Hamburg

[21] Appl. No.: 62,510

[57] CLAIM

[22] Filed: Nov. 18, 1996

The ornamental design for an operating apparatus for a racing game machine, as shown and described.

[30] Foreign Application Priority Data

May 27, 1996 [JP] Japan 8-15486

DESCRIPTION

[51] LOC (6) Cl. 21-01

[52] U.S. Cl. D21/11; D21/13

[58] Field of Search D21/11, 13, 1,
D21/7, 124, 240; 463/64-68, 58, 59, 46;
273/108.1

FIG. 1 is a front view of an operating apparatus for a racing game machine;
FIG. 2 is a rear view of the apparatus;
FIG. 3 is a top view of the apparatus;
FIG. 4 is a left side view of the apparatus;
FIG. 5 is a right side view of the apparatus;
FIG. 6 is a bottom view of the apparatus;
FIG. 7 is a perspective view of the apparatus; and,
FIG. 8 is a perspective view showing a use of the apparatus.
The broken line showing of three operating apparatuses and racing game machine in FIG. 8 is for illustrative purpose only and forms no part of the claim.

[56] References Cited

U.S. PATENT DOCUMENTS

D. 318,073	7/1991	Jang	D21/13
D. 363,090	10/1995	Chung-Po	D21/13
D. 376,391	12/1996	Okumura	D21/13
D. 378,677	4/1997	Matsumoto et al.	D21/13 X
2,732,210	1/1956	Heide	463/66 X
5,276,524	1/1994	Inoue et al.	463/46 X

1 Claim, 5 Drawing Sheets

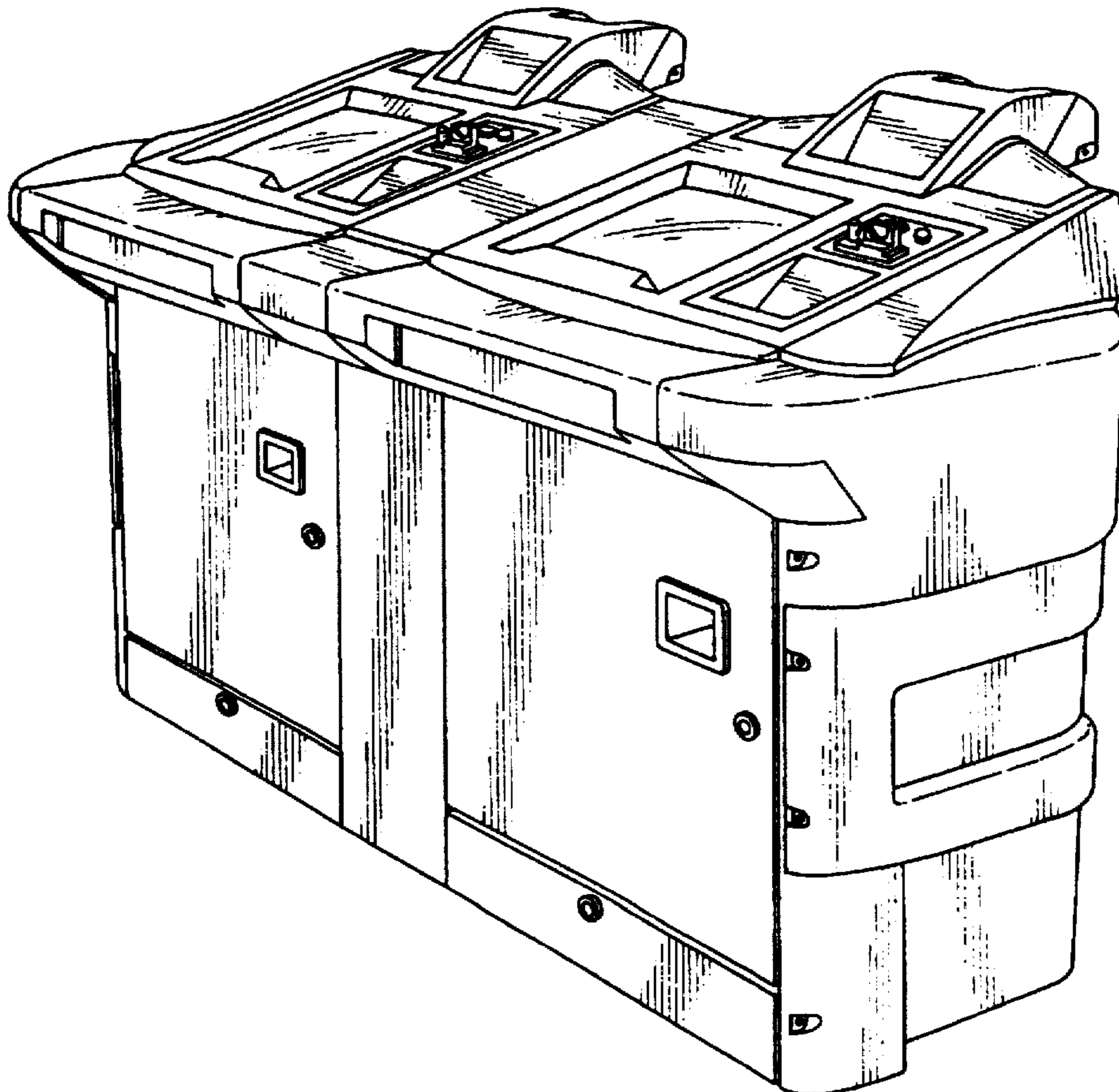


FIG. 1

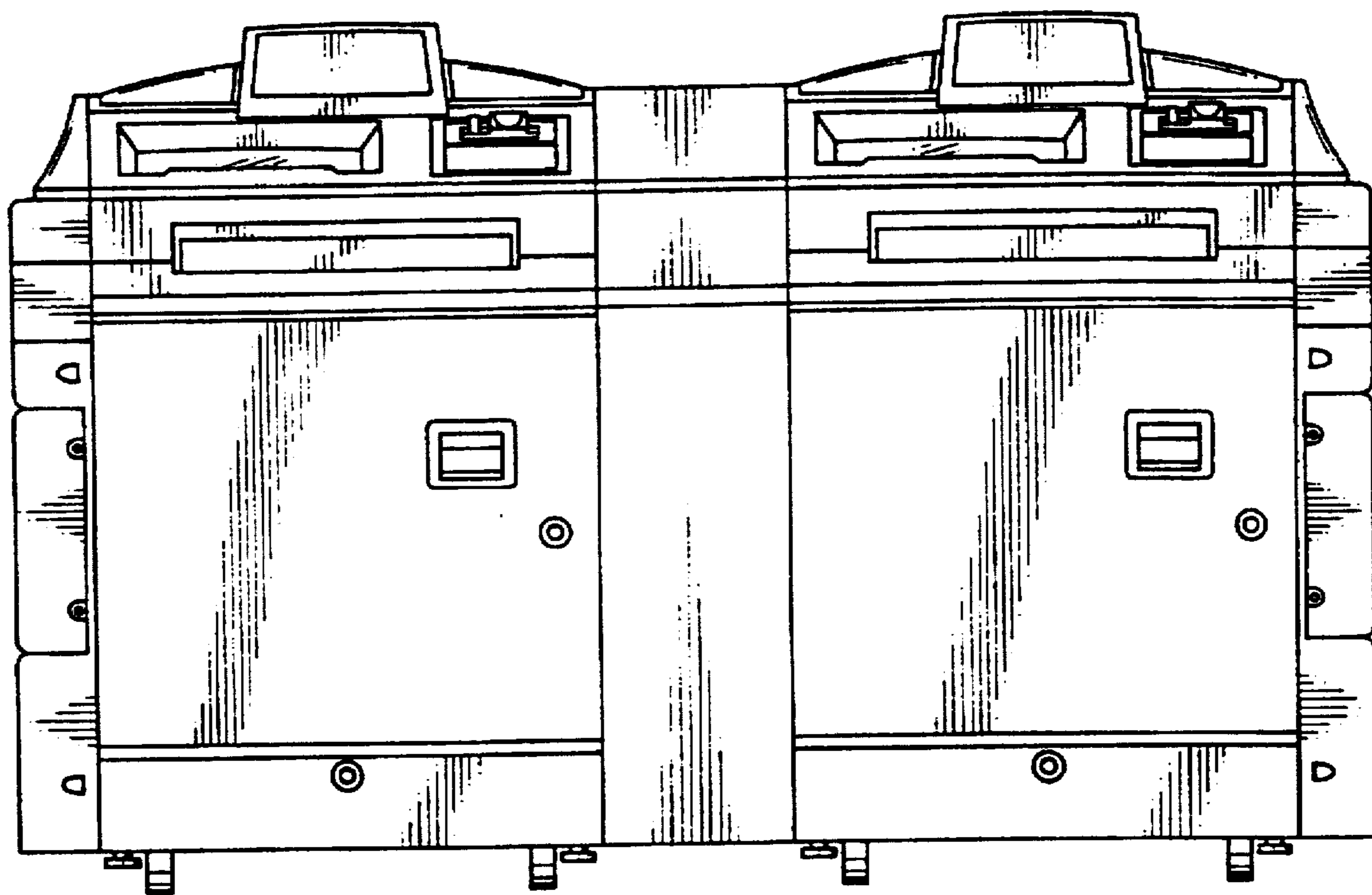


FIG. 2

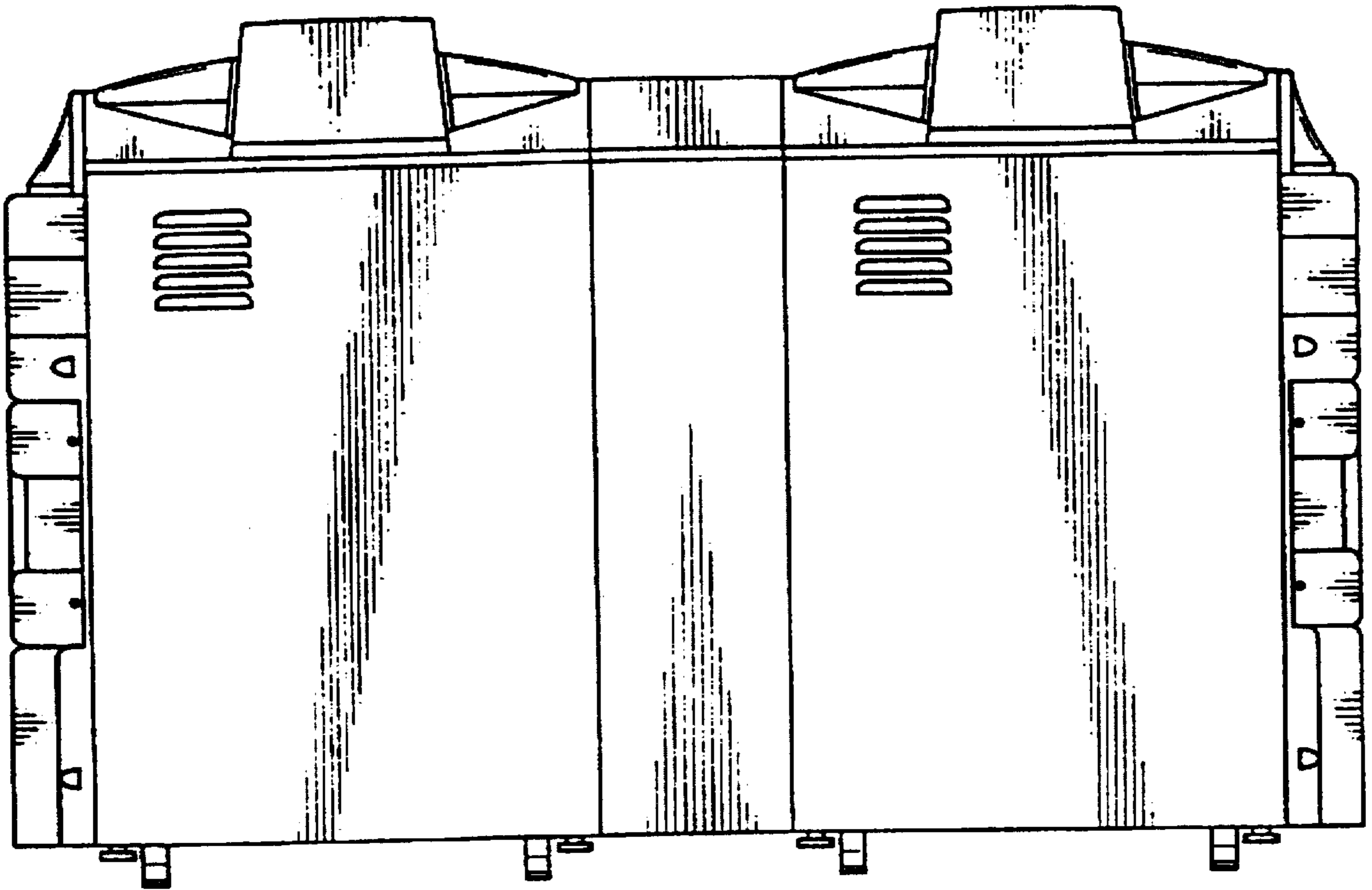


FIG. 3

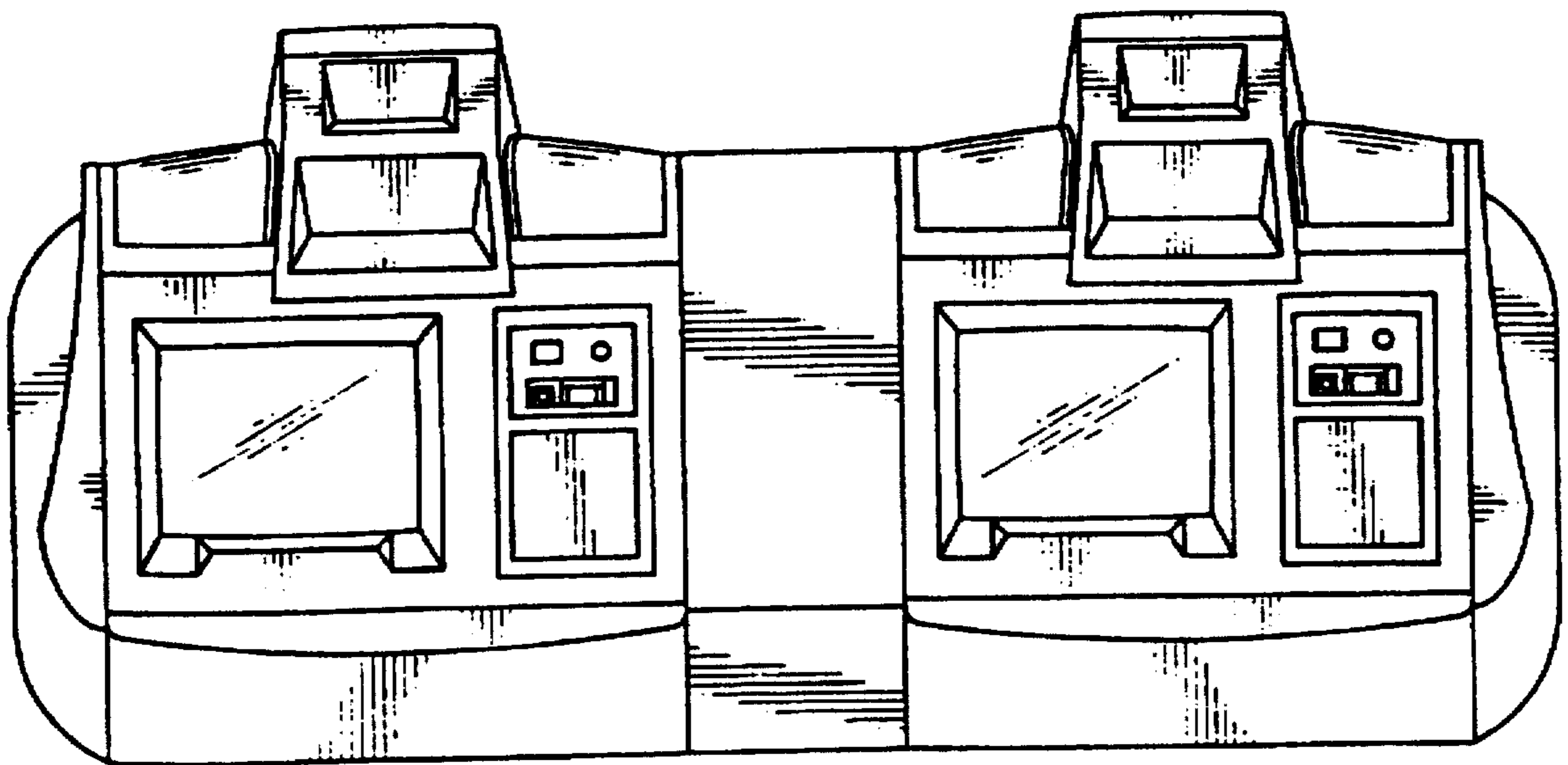


FIG. 4

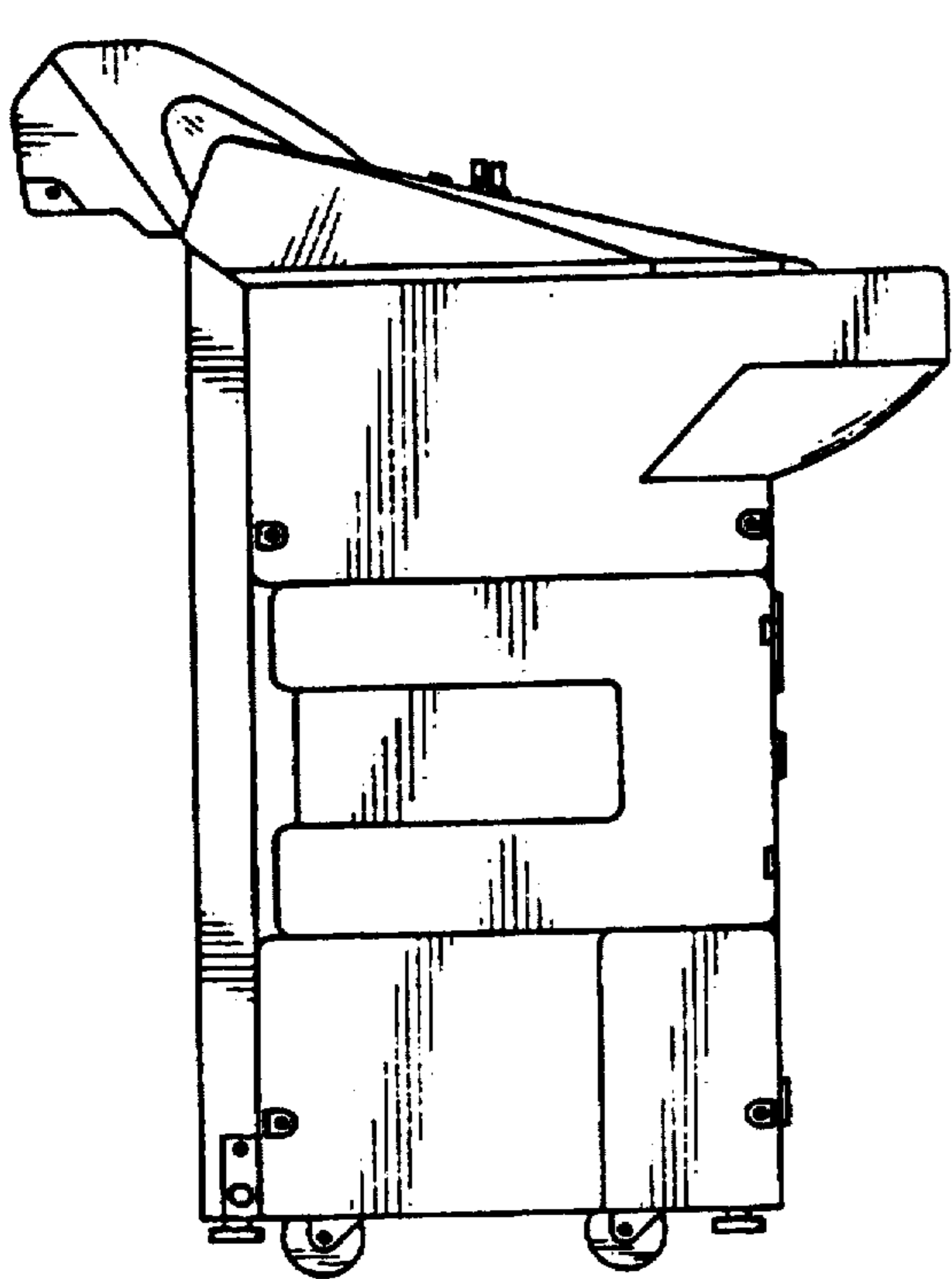


FIG. 5

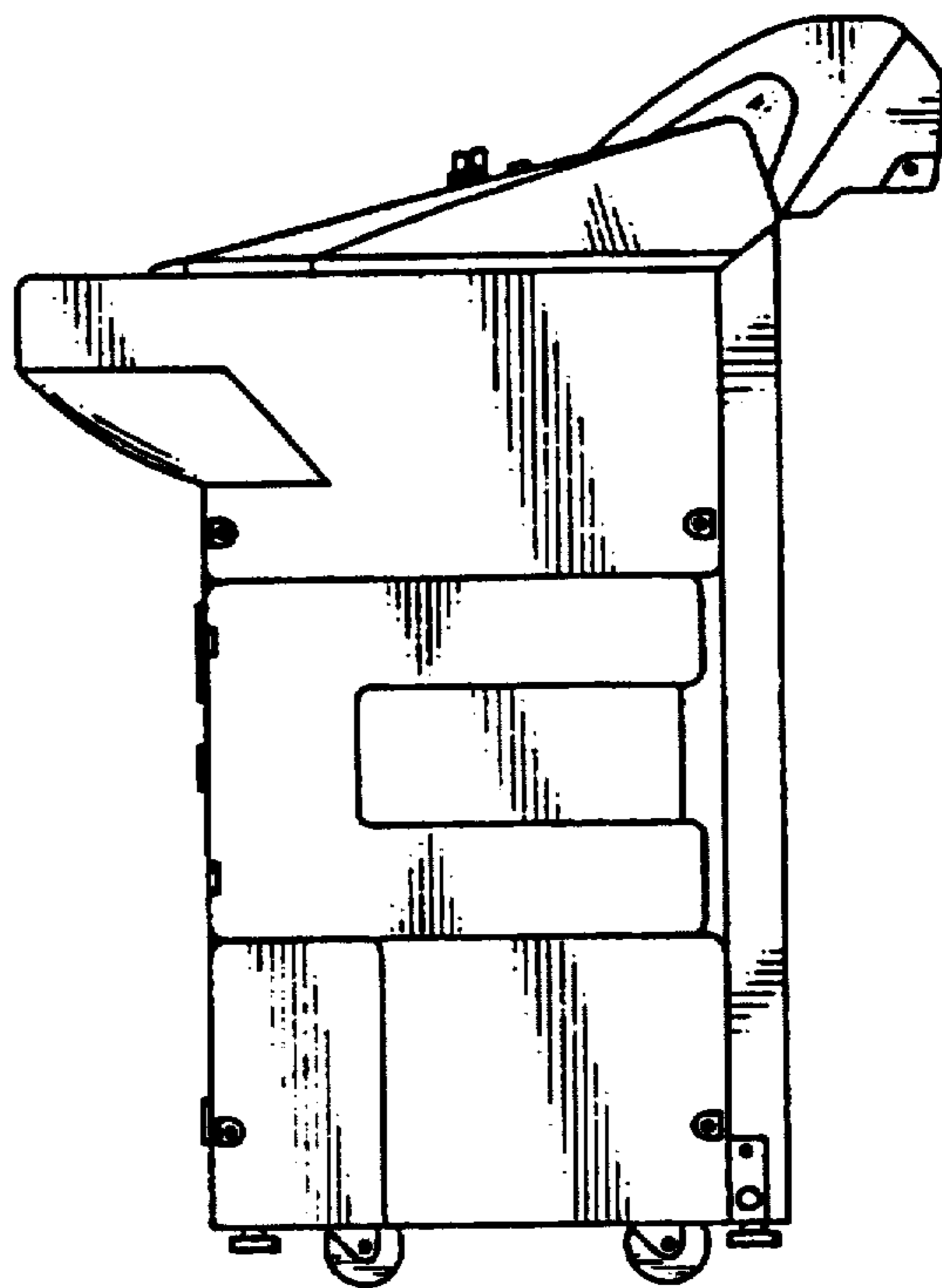


FIG. 6

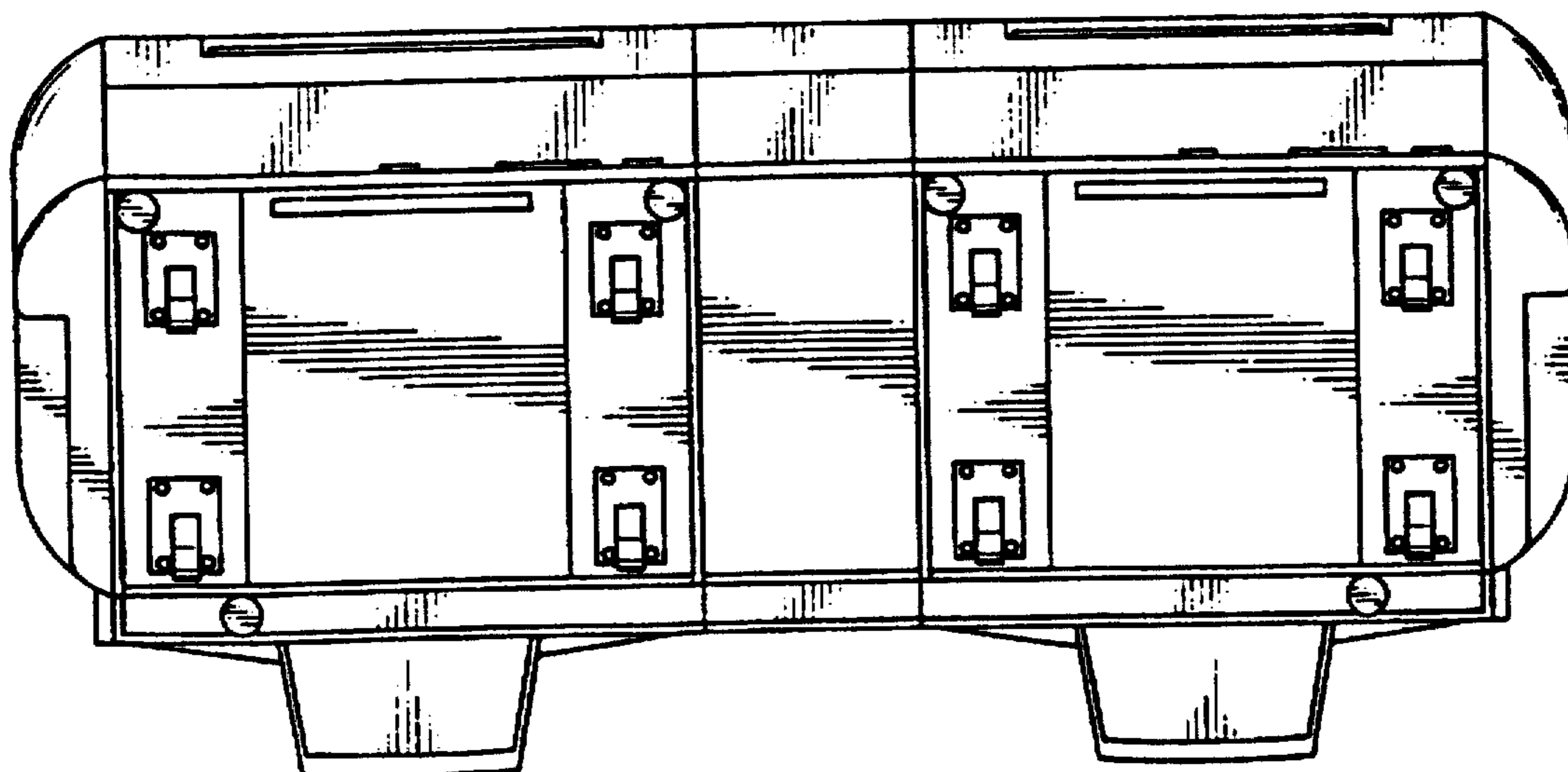


FIG. 7

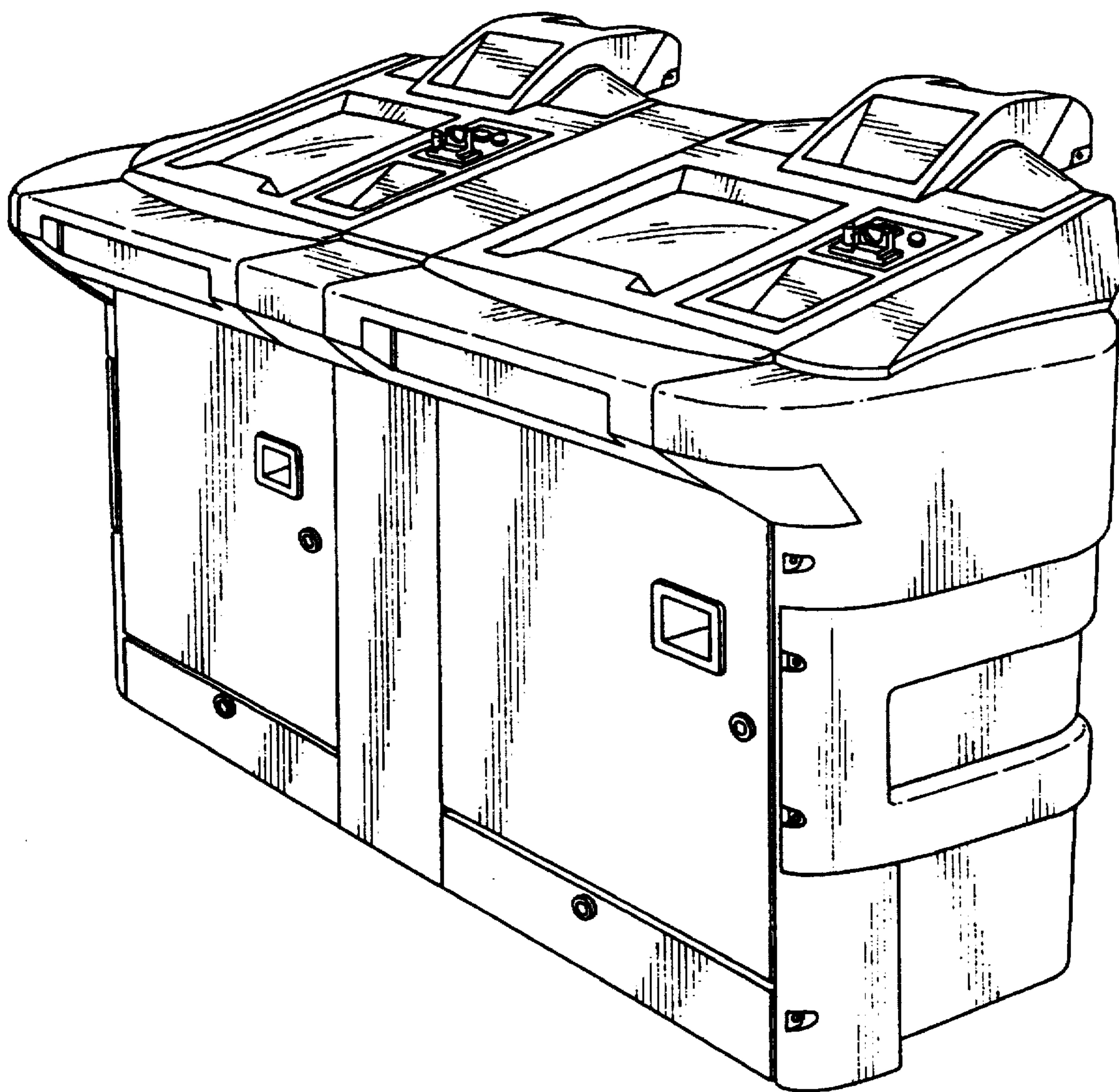


FIG. 8

