



US00D388823S

United States Patent [19] Bright

[11] Patent Number: **Des. 388,823**
[45] Date of Patent: ****Jan. 6, 1998**

[54] **BOOK HOLDER**
[75] Inventor: **Joseph P. Bright**, Perrysburg, Ohio
[73] Assignee: **Industrial Dimensions, Inc.**, Fostoria, Ohio
[**] Term: **14 Years**
[21] Appl. No.: **56,268**
[22] Filed: **Jun. 18, 1996**
[51] LOC (6) Cl. **06-06**
[52] U.S. Cl. **D19/34.1**
[58] Field of Search D19/34.1, 34.2, D19/34.3, 34.4, 34.5; D6/407; 211/42, 43, 183; 248/441.1, 442; 281/45

3,581,907 6/1971 Schmidt 211/49.1 X
4,113,108 9/1978 Anderson 211/43
4,682,696 7/1987 Sheu 211/43
4,874,099 10/1989 Arnott et al. 211/50
4,878,640 11/1989 Fricker et al. 248/297.2
5,004,202 4/1991 Stumpf et al. 248/243
5,154,385 10/1992 Lindberg et al. 248/225.1
5,183,163 2/1993 Slaiken 211/43
5,205,420 4/1993 Petryszak 211/43
5,228,578 7/1993 Wu 211/43
5,325,792 7/1994 Mulloy 211/43 X

Primary Examiner—Susan J. Lucas
Assistant Examiner—Pamela Burgess
Attorney, Agent, or Firm—Emch, Schaffer, Schaub & Porcello Co., L.P.A.

[57] CLAIM

The ornamental design for a book holder, as shown and described.

[56] References Cited

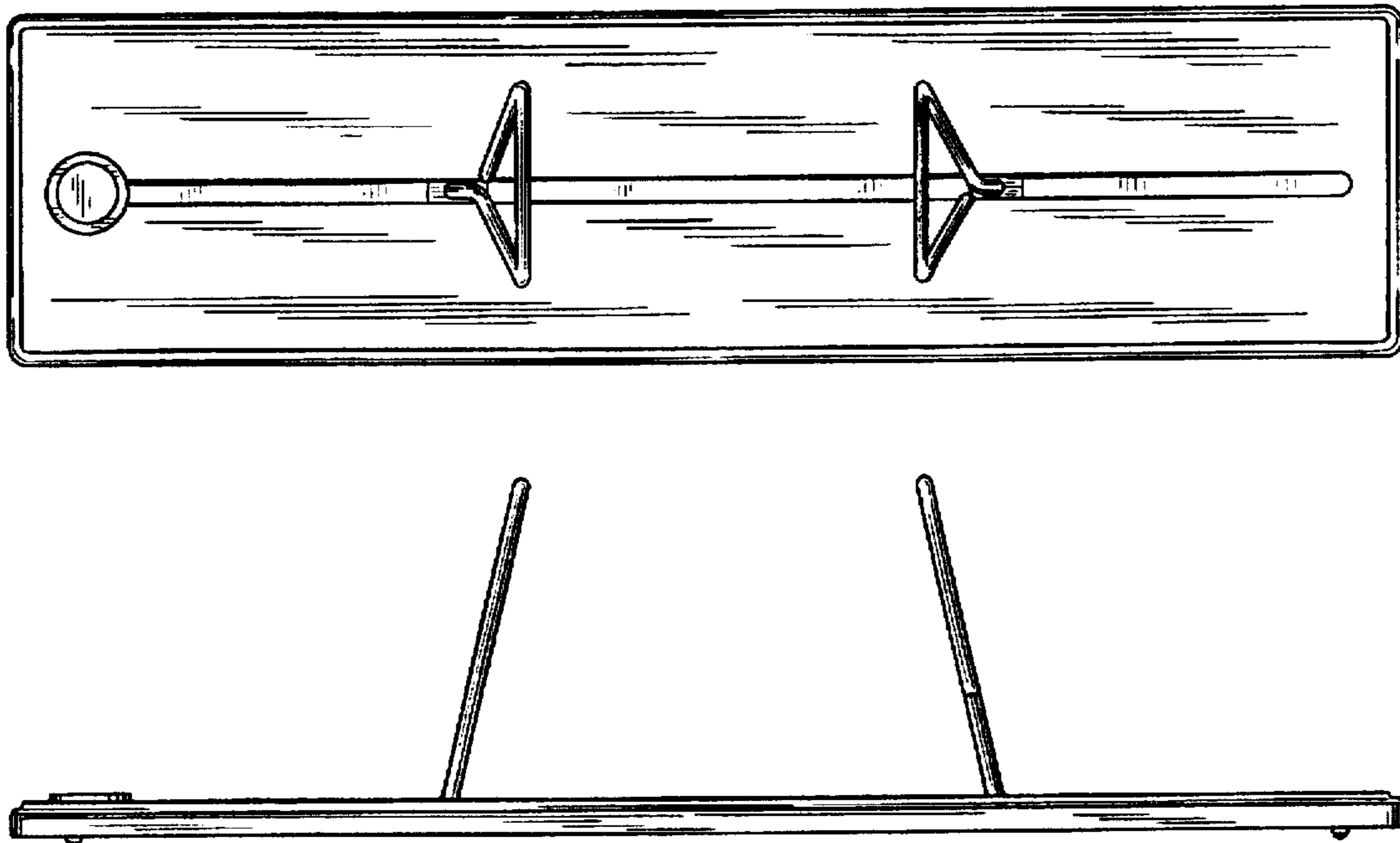
U.S. PATENT DOCUMENTS

D. 314,399 2/1991 Soporowski et al. D19/34.1
D. 321,621 11/1991 Stumpf et al. D6/574
D. 341,621 11/1993 Evenson D19/34.1
D. 362,017 9/1995 McConnell D19/34.3
D. 371,021 6/1996 Pine et al. D6/407 X
2,569,622 10/1951 Trainor 248/295
2,684,765 7/1954 Lowenstein, Jr. 211/43
3,138,262 6/1964 Anders 211/43
3,465,896 9/1969 Cafiero et al. 211/184
3,487,945 1/1970 Barham 211/43

DESCRIPTION

FIG. 1 is a top view of the book holder according to the present design;
FIG. 2 is a front elevational view thereof;
FIG. 3 is a back elevational view thereof;
FIG. 4 is a bottom view thereof;
FIG. 5 is a left side elevational view thereof; and,
FIG. 6 is a right side elevational view thereof.

1 Claim, 3 Drawing Sheets



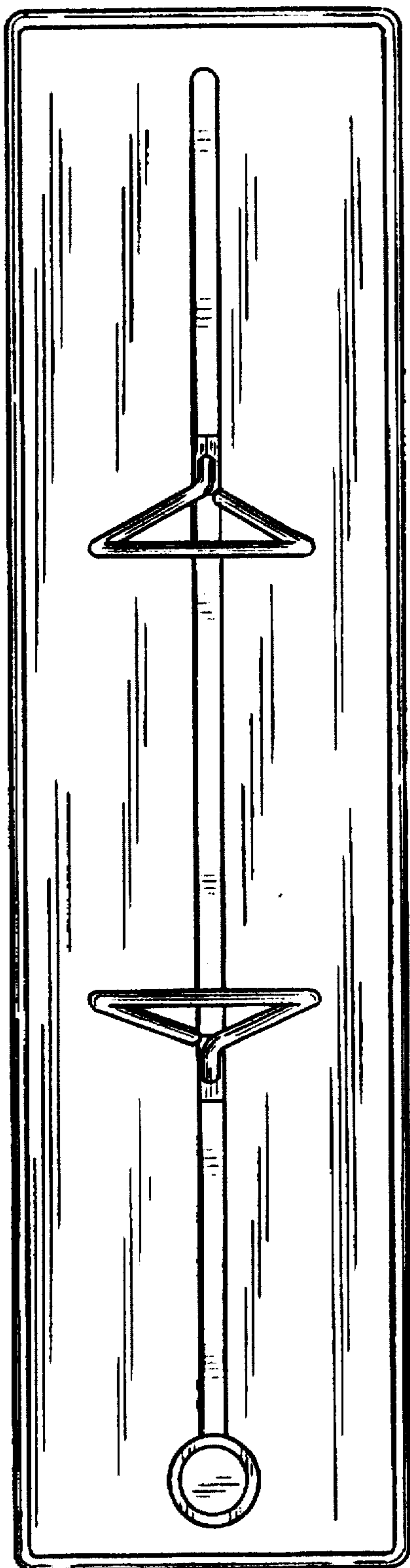


FIG. 1

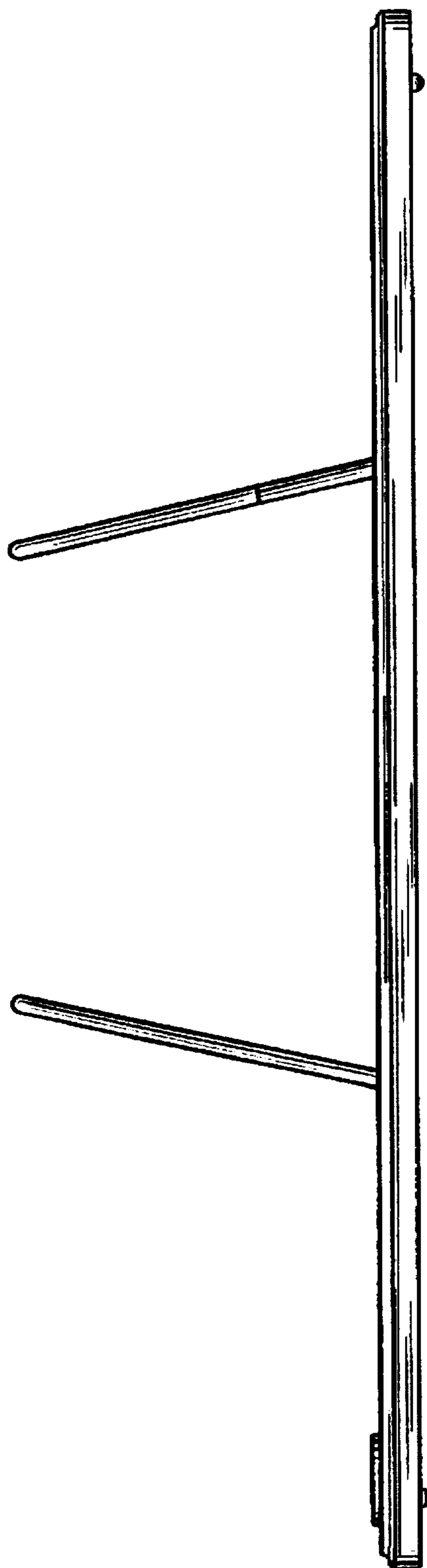


FIG. 2

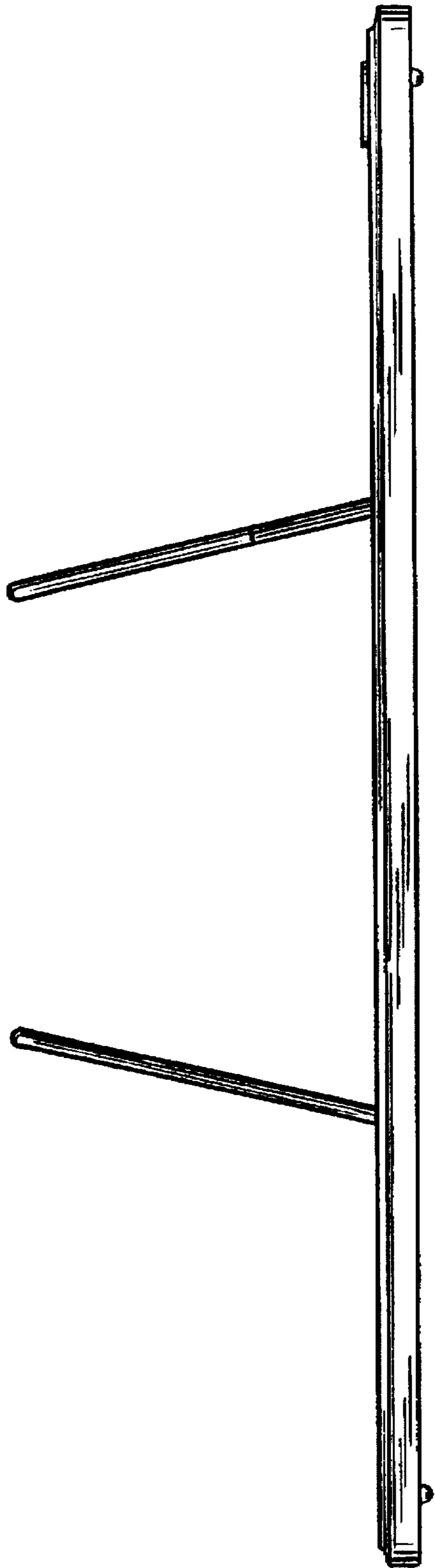


FIG. 3

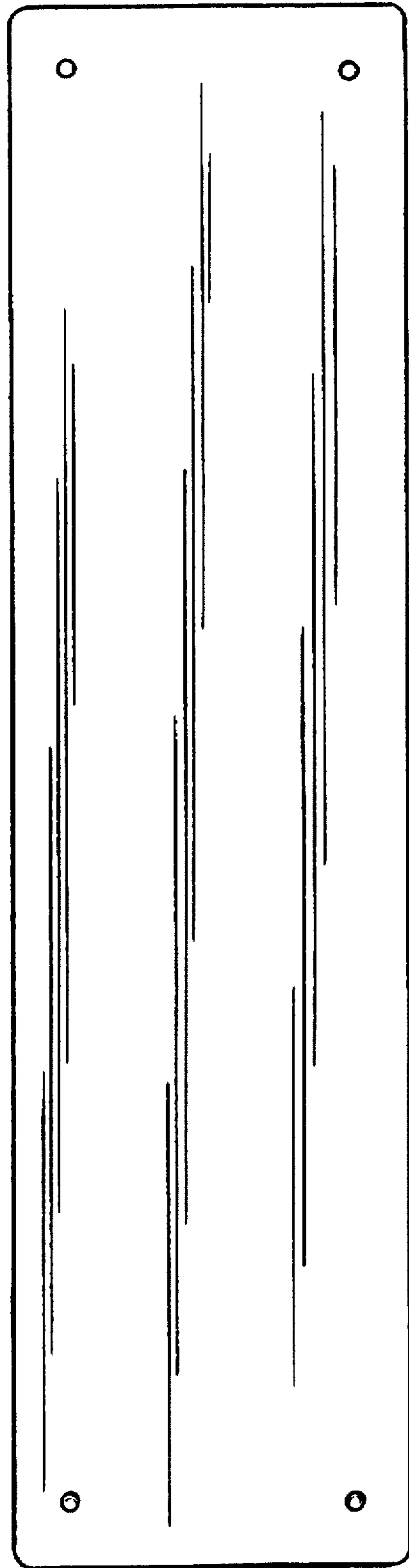
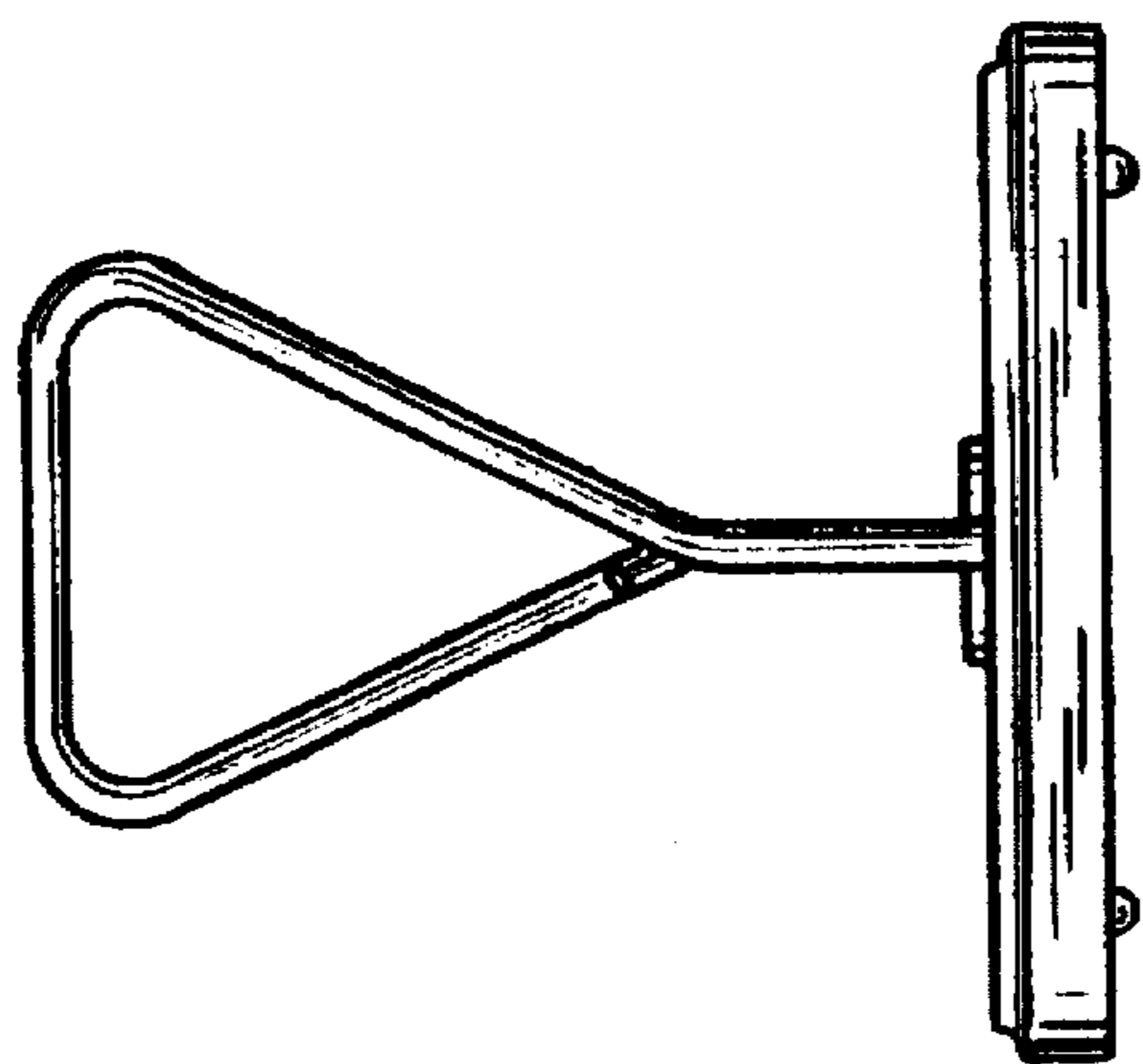
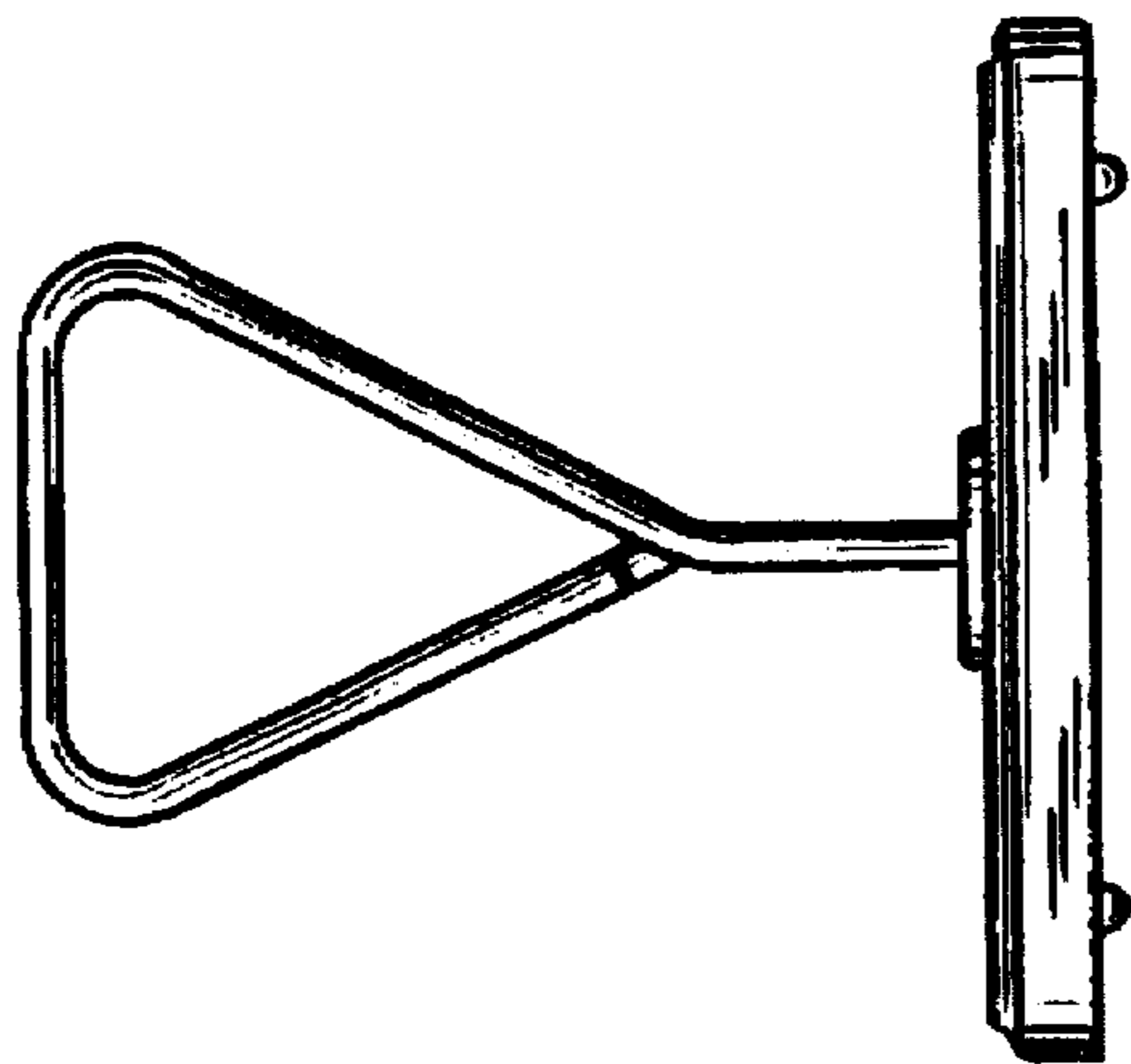


FIG. 4



—FIG. 6



—FIG. 5