



US00D388819S

United States Patent [19]
Huen

[11] **Patent Number:** **Des. 388,819**
[45] **Date of Patent:** ****Jan. 6, 1998**

[54] **PAPER SHREDDER**

[75] **Inventor:** **Hing Wah Raico Huen, Kowloon, Hong Kong**

[73] **Assignee:** **Fairform Manufacturing Company Limited, Kowloon, Hong Kong**

[**] **Term:** **14 Years**

[21] **Appl. No.:** **64,046**

[22] **Filed:** **Nov. 20, 1996**

[30] **Foreign Application Priority Data**

Aug. 9, 1996 [GB] United Kingdom 2058369

[51] **LOC (6) Cl.** **18-04**

[52] **U.S. Cl.** **D18/34**

[58] **Field of Search** D18/34, 99; 241/4, 241/277, 301, 236, 100

[56] **References Cited**

U.S. PATENT DOCUMENTS

D. 320,807 10/1991 Krause et al. D18/34

D. 327,904 7/1992 Silver et al. D18/34
D. 370,689 6/1996 Harris D18/34
D. 375,973 11/1996 Kennedy et al. D18/34
3,724,766 4/1973 Bosland 241/100

Primary Examiner—Louis S. Zarfaz
Assistant Examiner—Frank Martinez
Attorney, Agent, or Firm—Salter & Michaelson

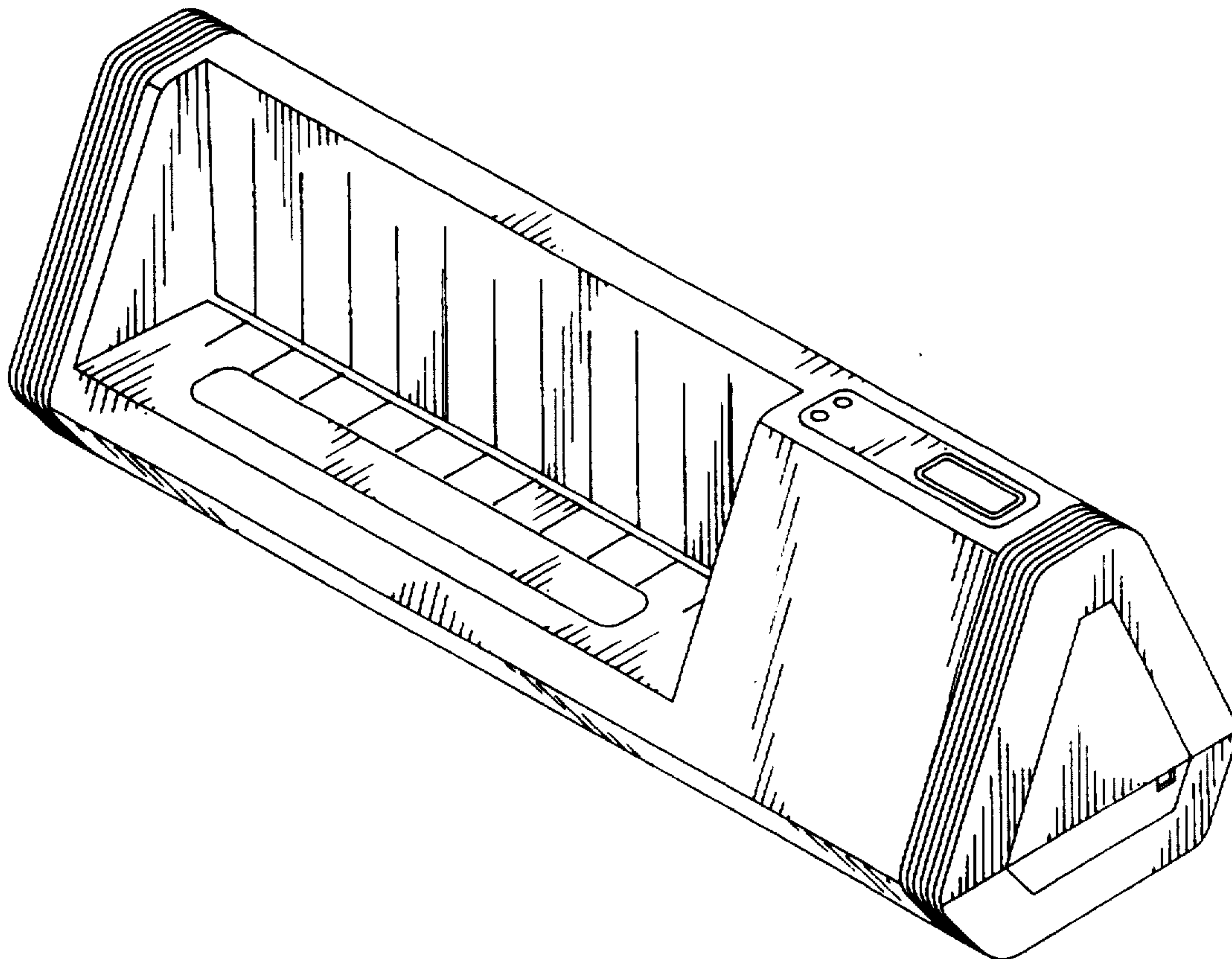
[57] **CLAIM**

The ornamental design for a paper shredder, as shown and described.

DESCRIPTION

FIG. 1 is a perspective view of a paper shredder showing my new design;
FIG. 2 is a front elevational view thereof;
FIG. 3 is a rear elevational view thereof;
FIG. 4 is a top plan view thereof;
FIG. 5 is a bottom plan view thereof;
FIG. 6 is a left side elevational view thereof; and,
FIG. 7 is a right side elevational view thereof.

1 Claim, 2 Drawing Sheets



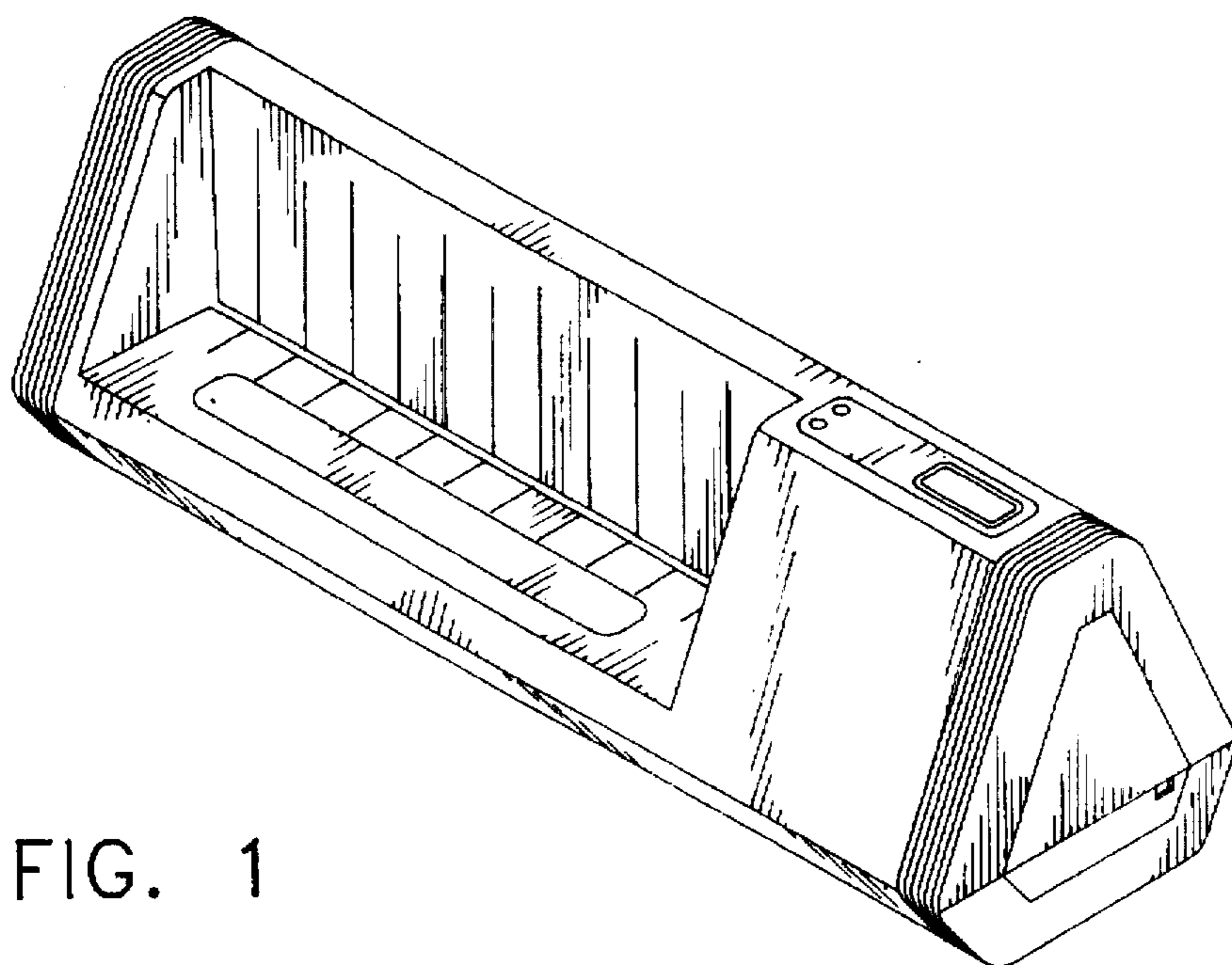


FIG. 1

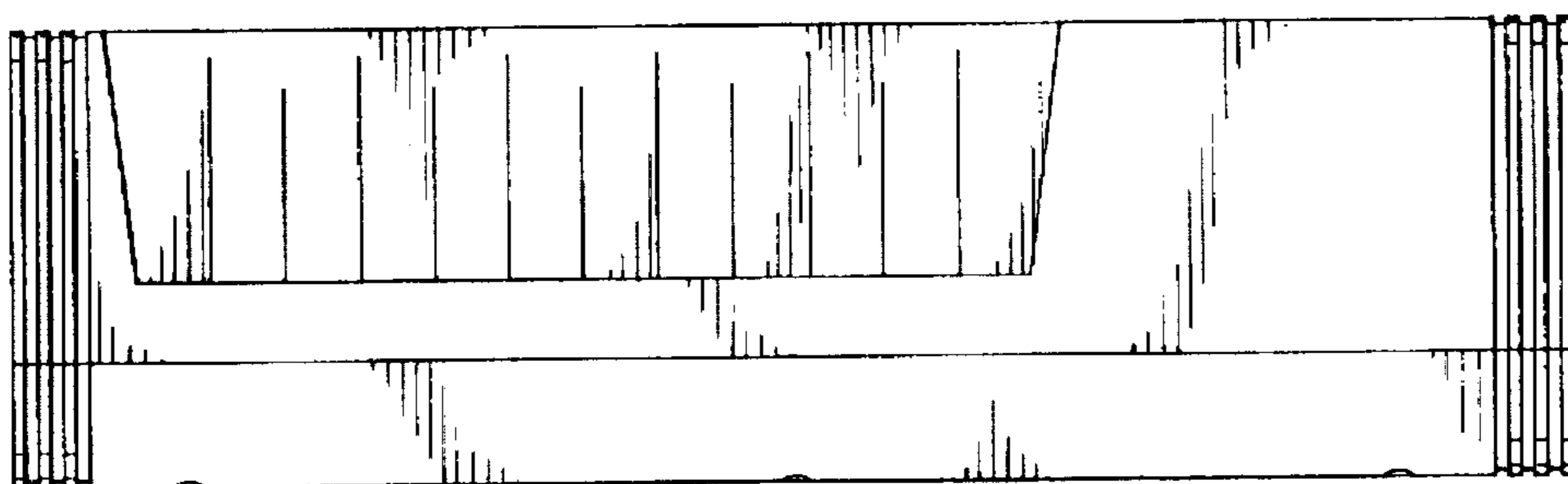


FIG. 2

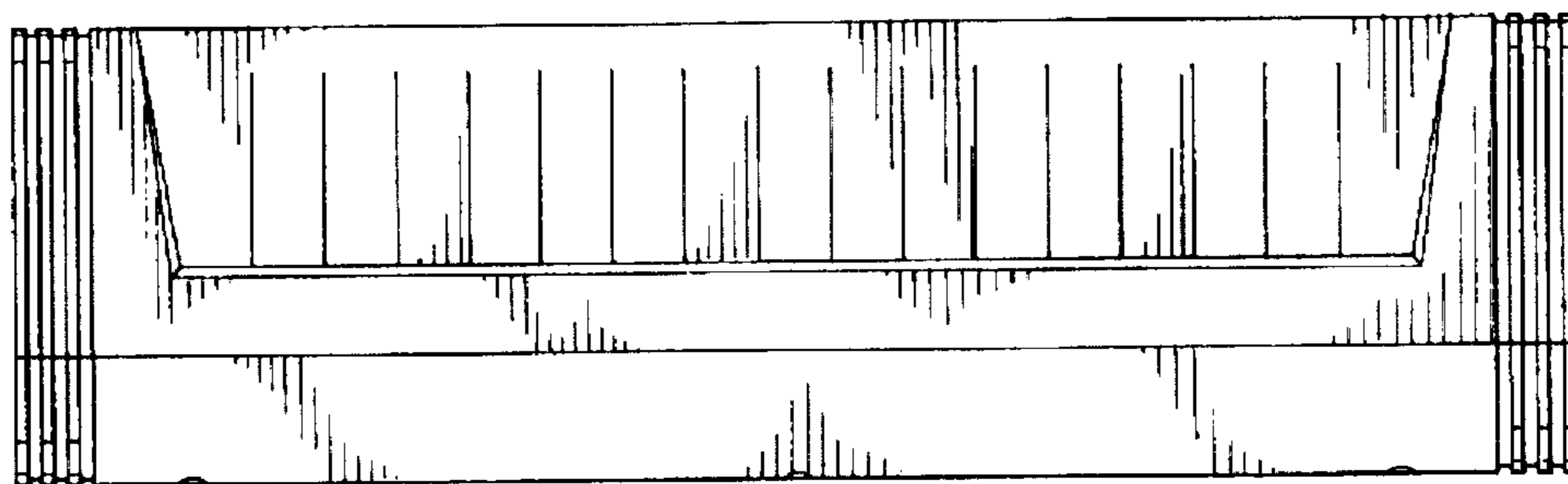


FIG. 3

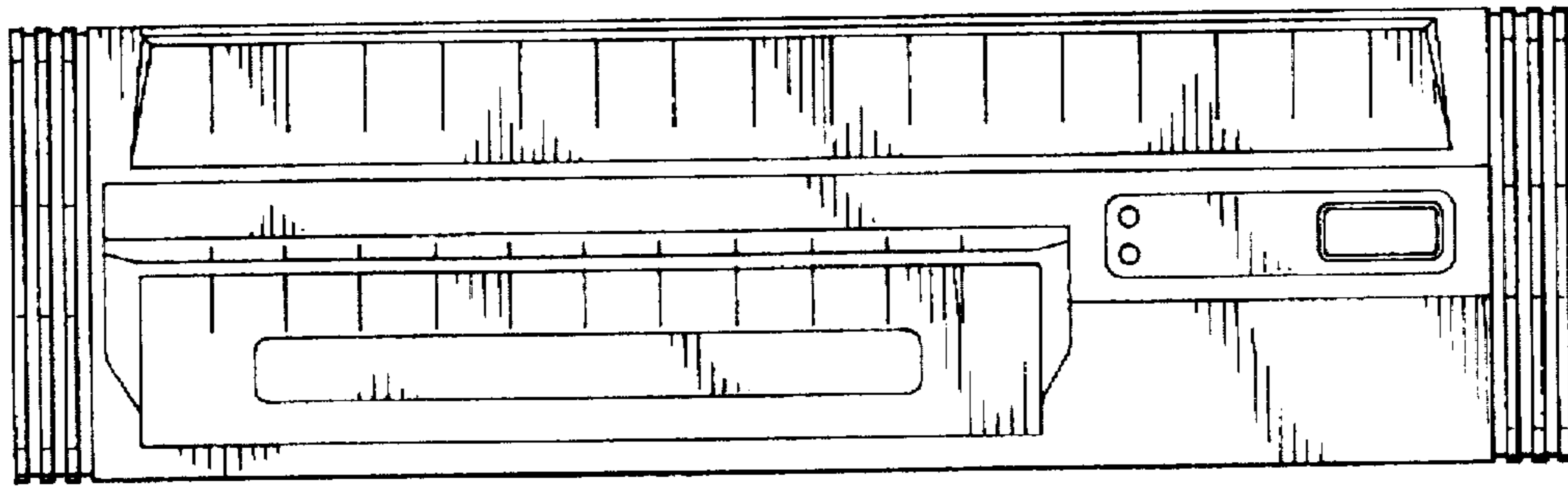


FIG. 4

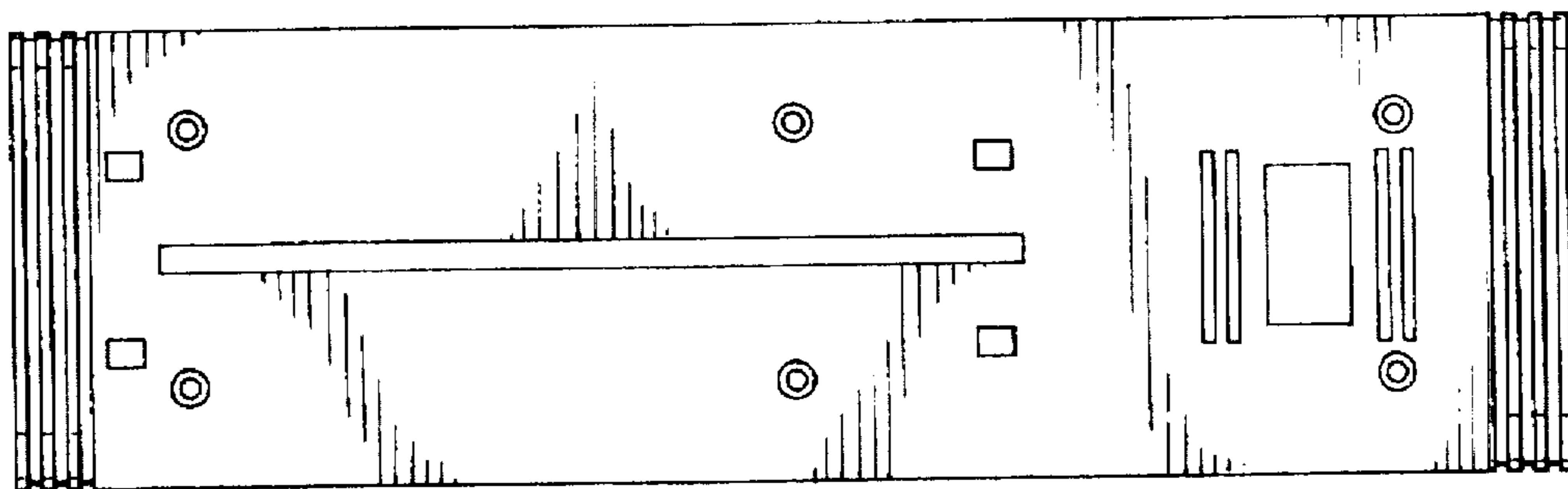


FIG. 5

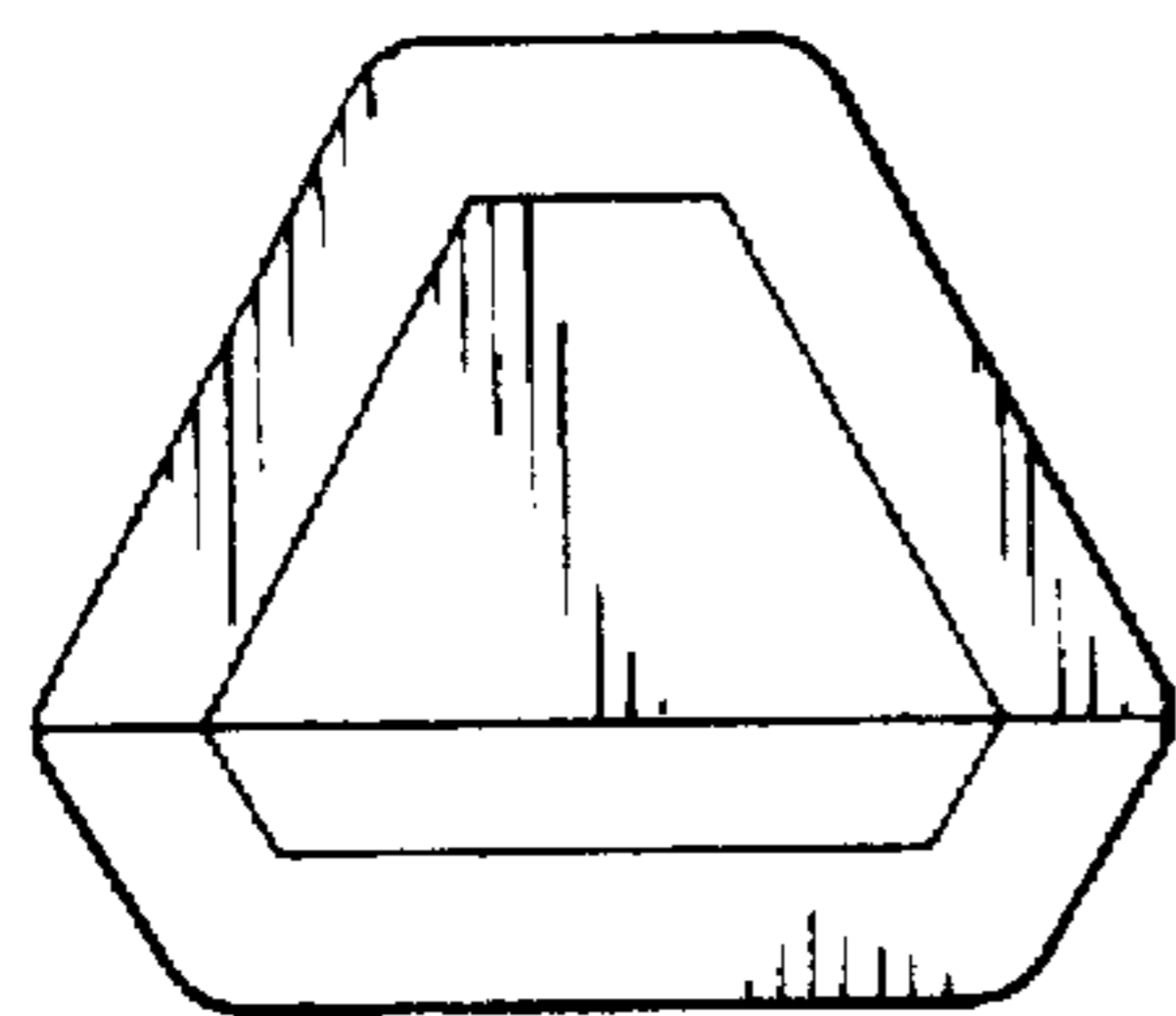


FIG. 6

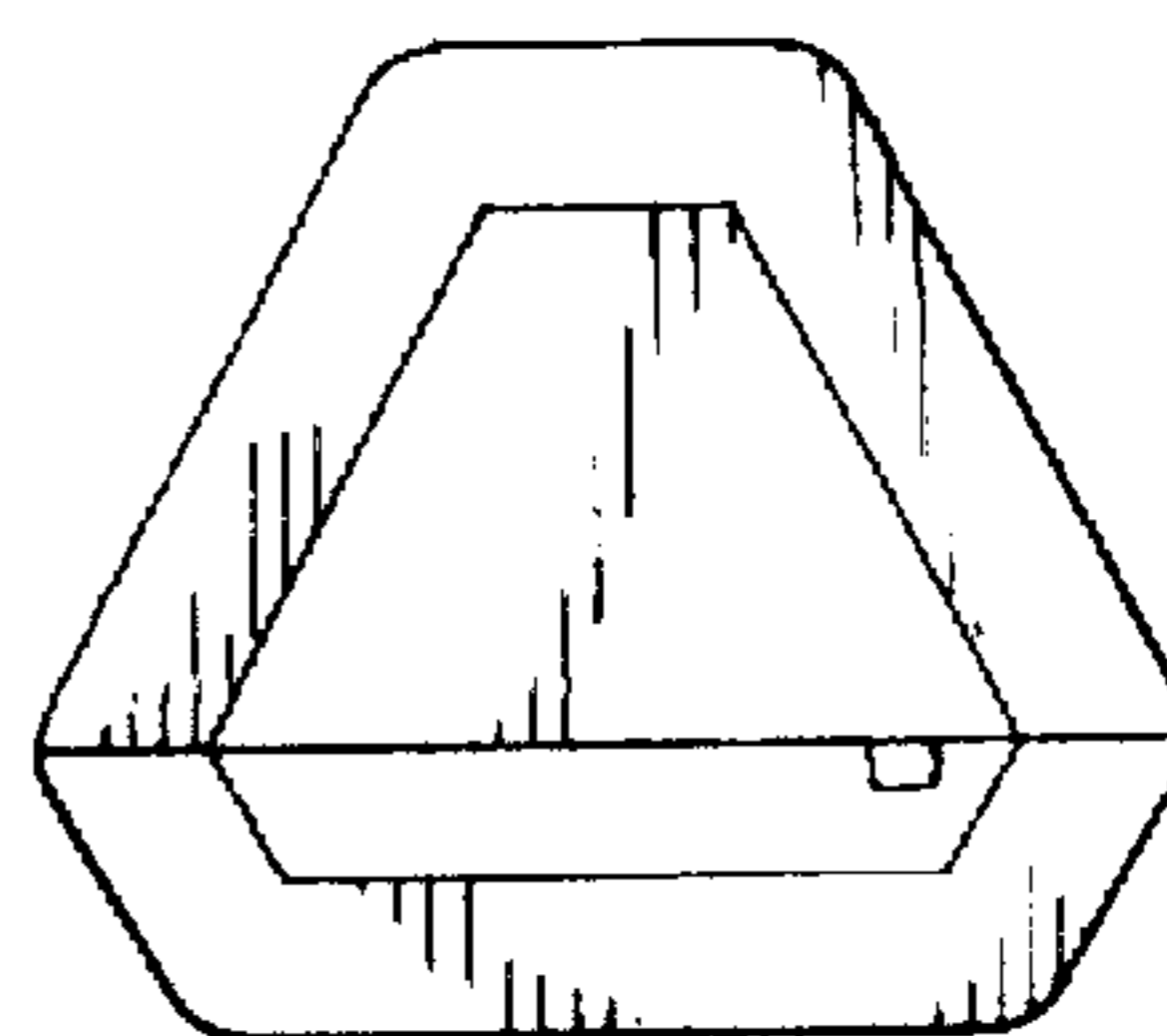


FIG. 7