



US00D388807S

United States Patent [19]

[11] Patent Number: **Des. 388,807**

Schelling et al.

[45] Date of Patent: ****Jan. 6, 1998**

[54] HYBRID PHOTOGRAPHIC CAMERA

[75] Inventors: **Anna C. Schelling**, Geneva;
Christopher A. Arnholt; **Paul J. Klock**, both of Rochester, all of N.Y.

[73] Assignee: **Eastman Kodak Company**, Rochester, N.Y.

[**] Term: **14 Years**

[21] Appl. No.: **66,655**

[22] Filed: **Feb. 10, 1997**

[51] LOC (6) Cl. **16-01**

[52] U.S. Cl. **D16/209; D16/218**

[58] Field of Search **D16/200-205, D16/208, 209, 211-213, 216-218; 396/177, 178, 349, 535-543**

[56] References Cited

U.S. PATENT DOCUMENTS

D. 320,610	10/1991	Chan	D16/209
D. 339,366	9/1993	Shirai	D16/218
D. 364,634	11/1995	Matsushita	D16/209
D. 369,372	4/1996	Ishikawa et al.	D16/218
D. 370,924	6/1996	McBride et al.	D16/209
D. 375,110	10/1996	McBride et al.	D16/209
5,212,510	5/1993	Baxter	396/349
5,264,884	11/1993	Michaud	396/178

Primary Examiner—Philip S. Hyder
Assistant Examiner—Adir Aronovich
Attorney, Agent, or Firm—Charles E. Snee, III

[57] CLAIM

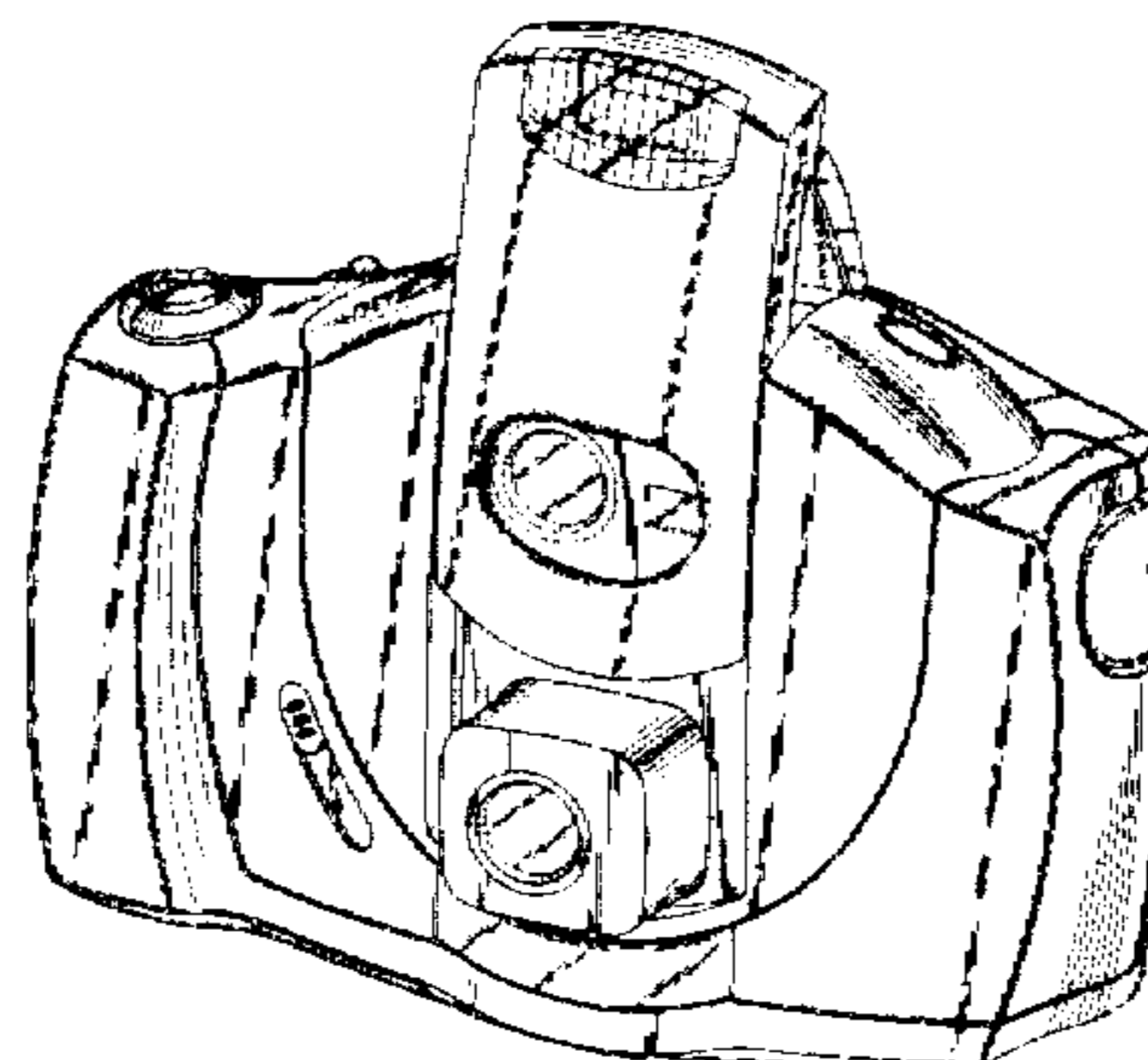
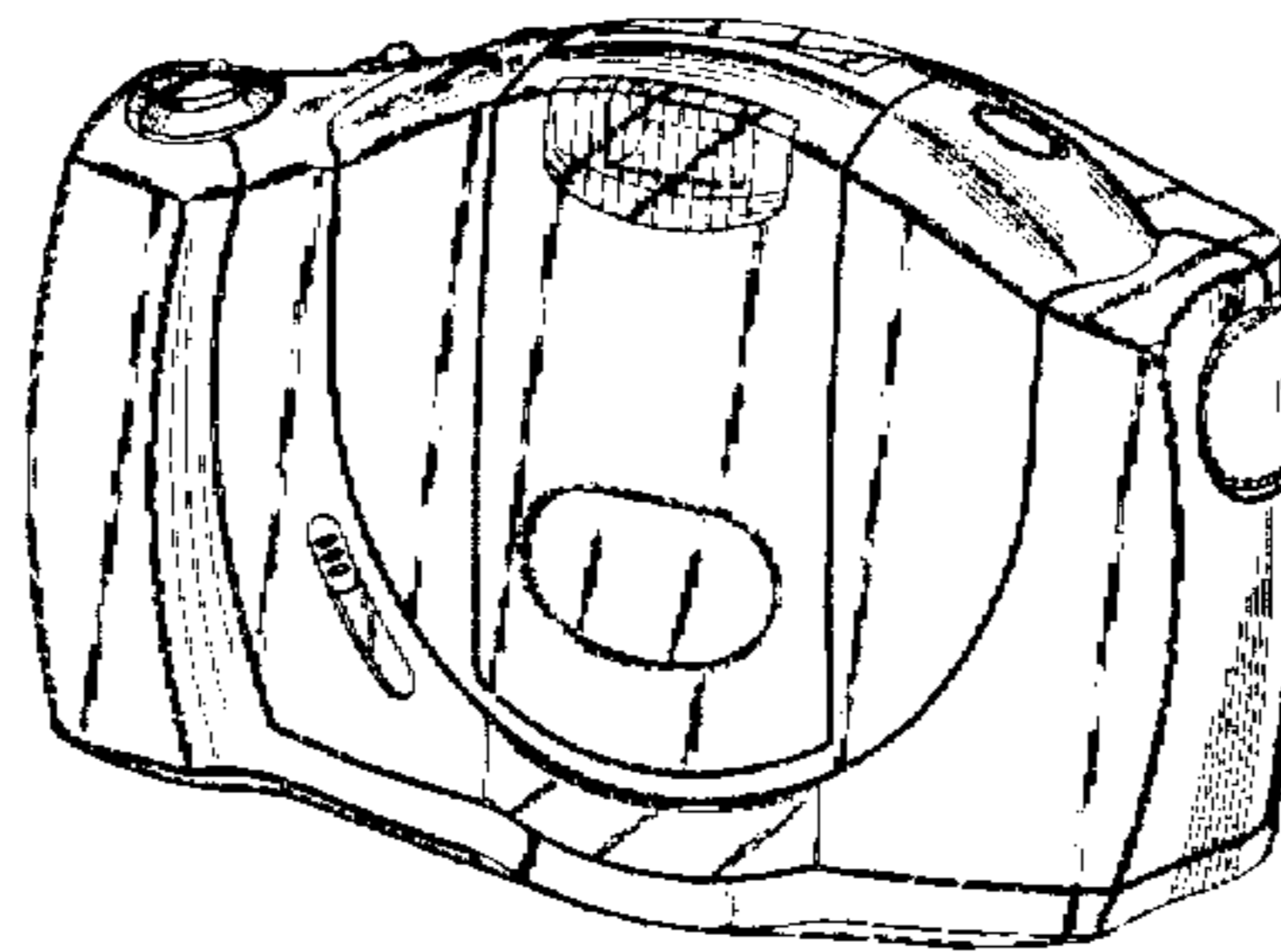
The ornamental design for a hybrid photographic camera, as shown and described.

DESCRIPTION

FIG. 1 shows a front perspective view of the front, top and right end of our design before the hybrid photographic camera has been configured for operation;
 FIG. 2 shows a bottom perspective view of the back, bottom and left end of our design;
 FIG. 3 shows a front elevation view of our design;
 FIG. 4 shows a rear elevation view of our design;
 FIG. 5 shows a top plan view of our design;
 FIG. 6 shows a bottom plan view of our design;
 FIG. 7 shows an elevation view of the right end of our design;
 FIG. 8 shows an elevation view of the left end of our design;
 FIG. 9 shows a front perspective view of the front, top and right end of our design after the hybrid photographic camera has been configured for operation;
 FIG. 10 shows a front elevation view of our design configured for operation;
 FIG. 11 shows a rear elevation view of our design configured for operation;
 FIG. 12 shows a top plan view of our design configured for operation;
 FIG. 13 shows a bottom plan view of our design configured for operation;
 FIG. 14 shows an elevation view of the right end of our design configured for operation; and,
 FIG. 15 shows an elevation view of the left end of our design configured for operation.

A description of the ornamental appearance of the article is as follows: Our design reconfigures from the ornamental appearance of FIGS. 1 to FIGS. 8 to the ornamental appearance of FIGS. 9 to 15 when a lens cover on the front of the camera and a display panel on the top of the camera are raised.

1 Claim, 15 Drawing Sheets



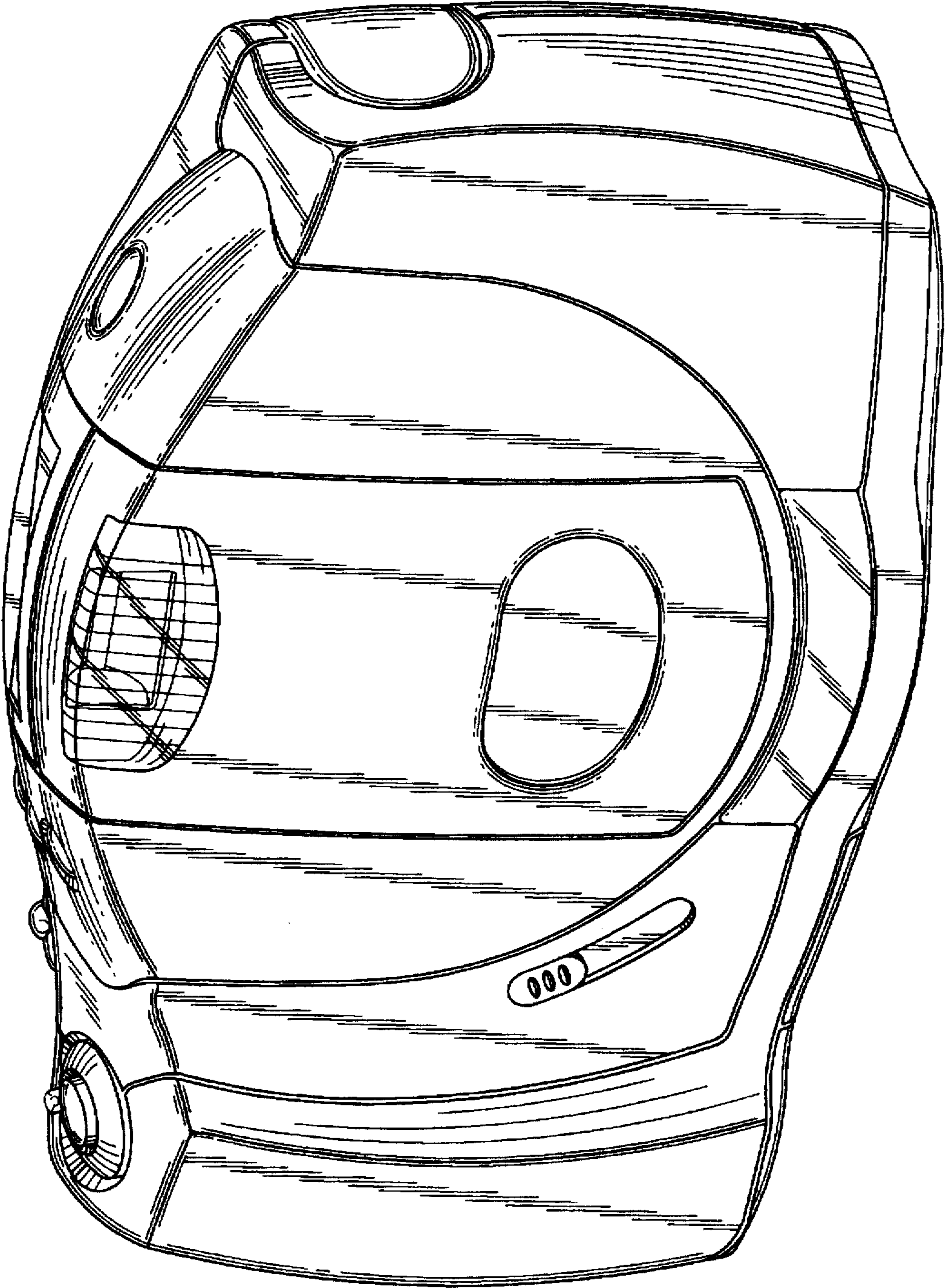


FIG. 1

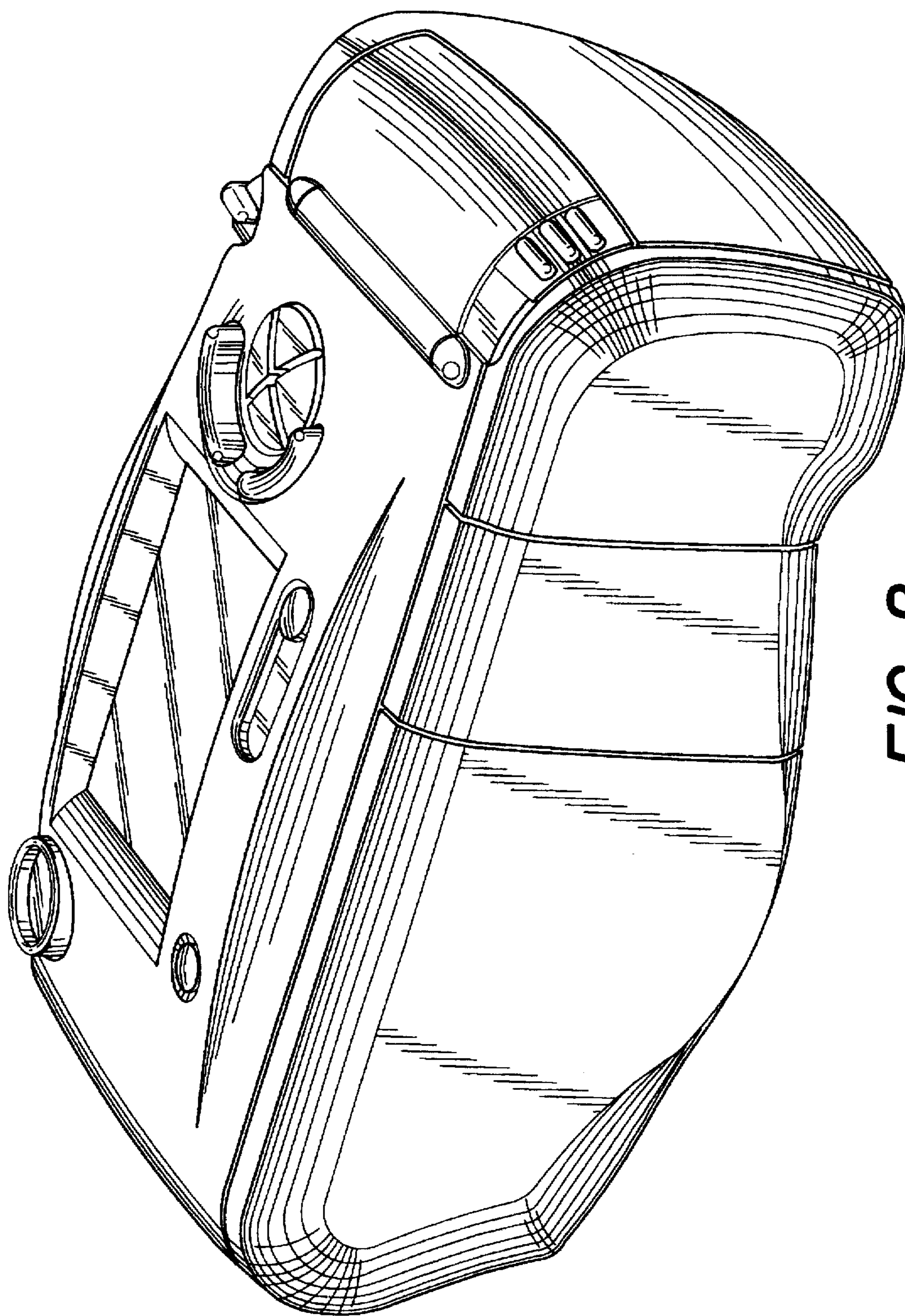


FIG. 2

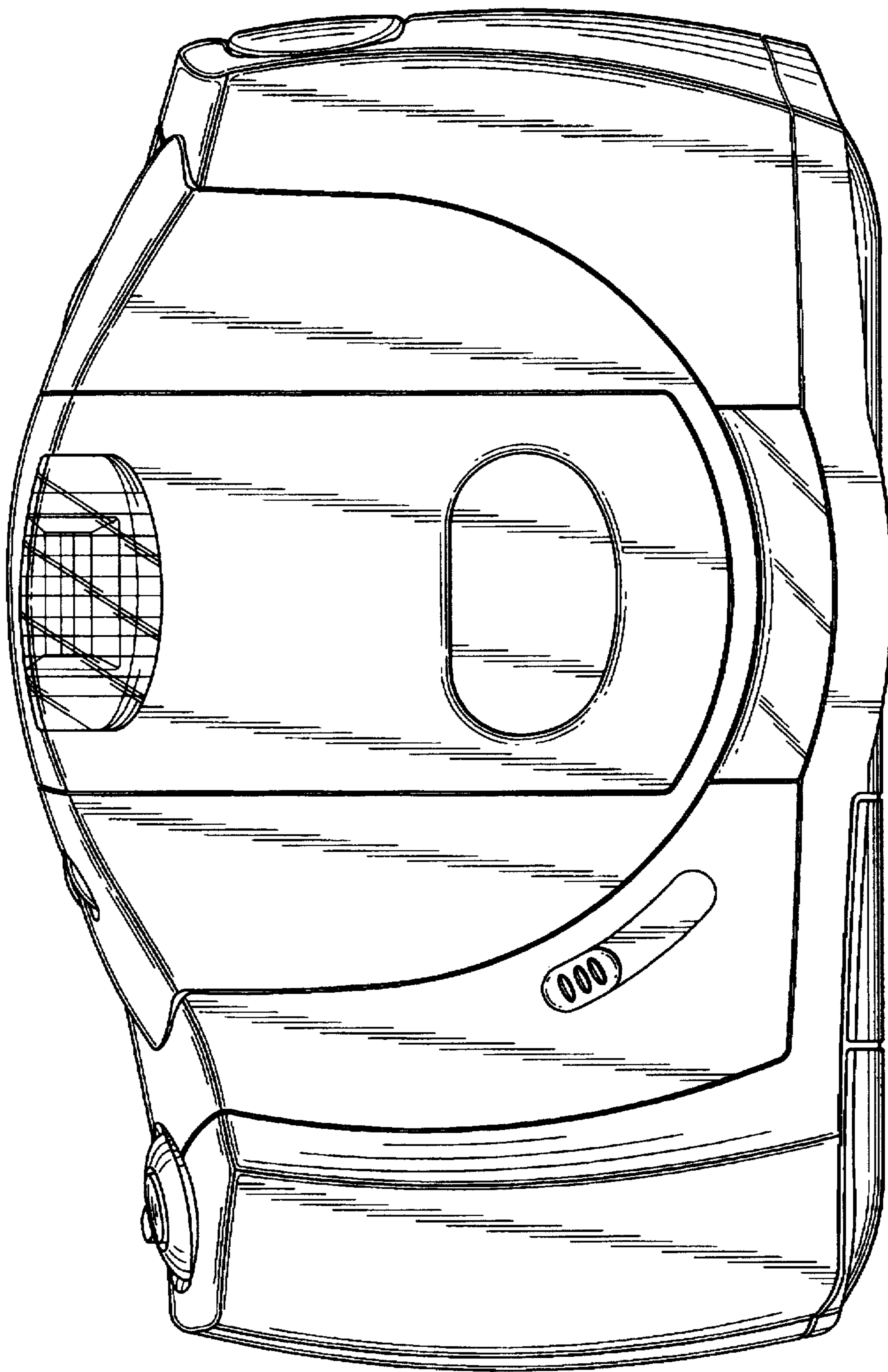


FIG. 3

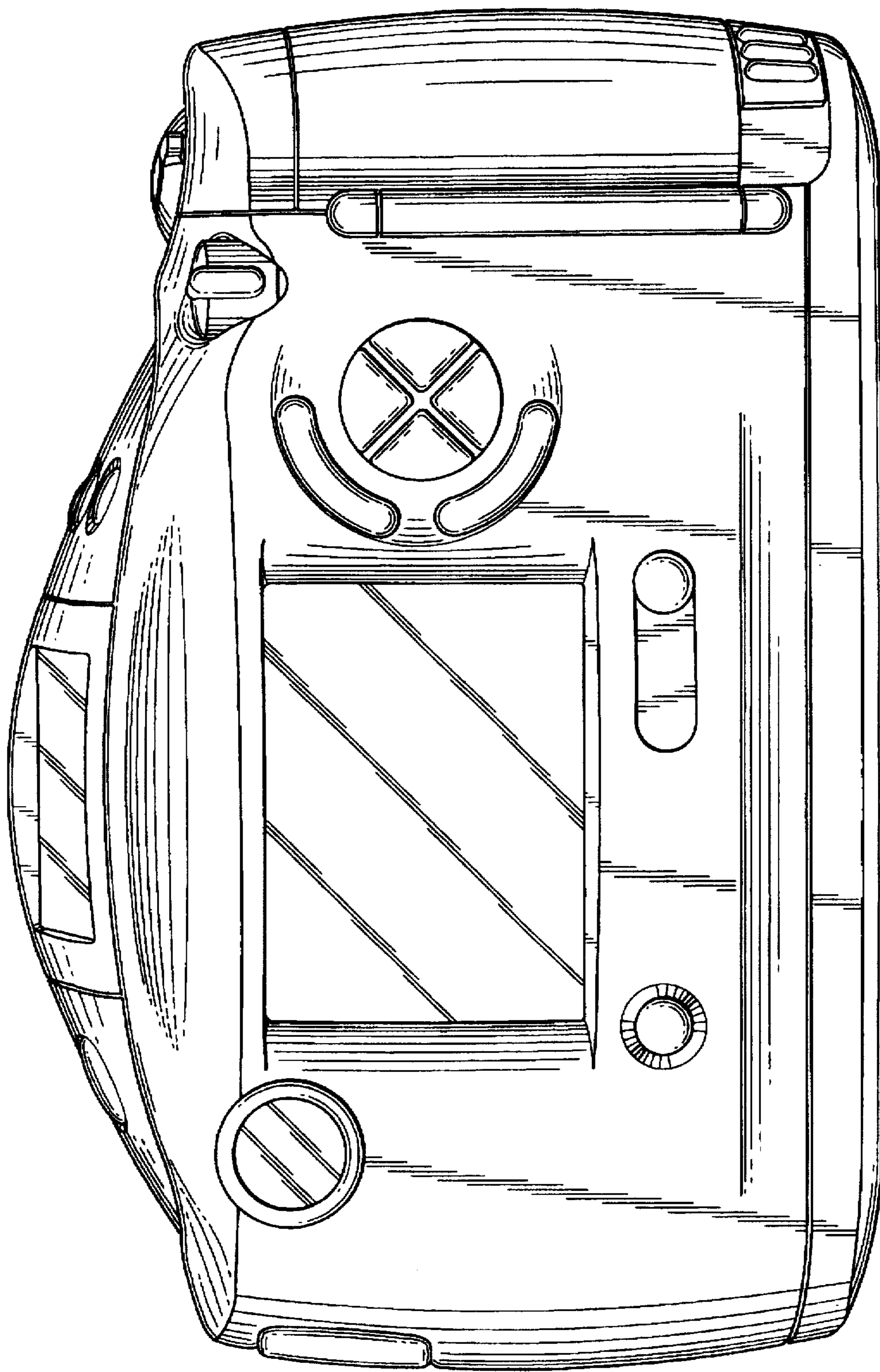


FIG. 4

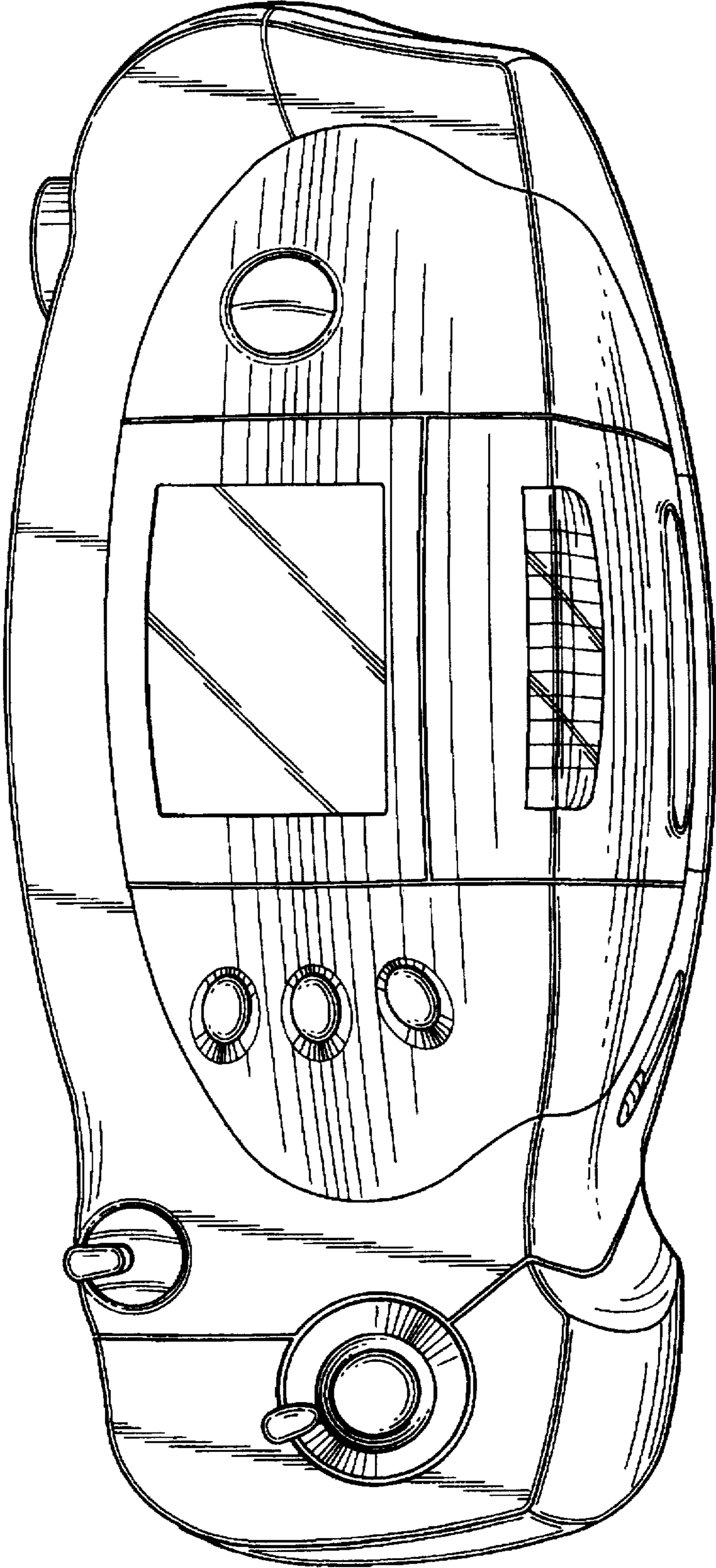


FIG. 5

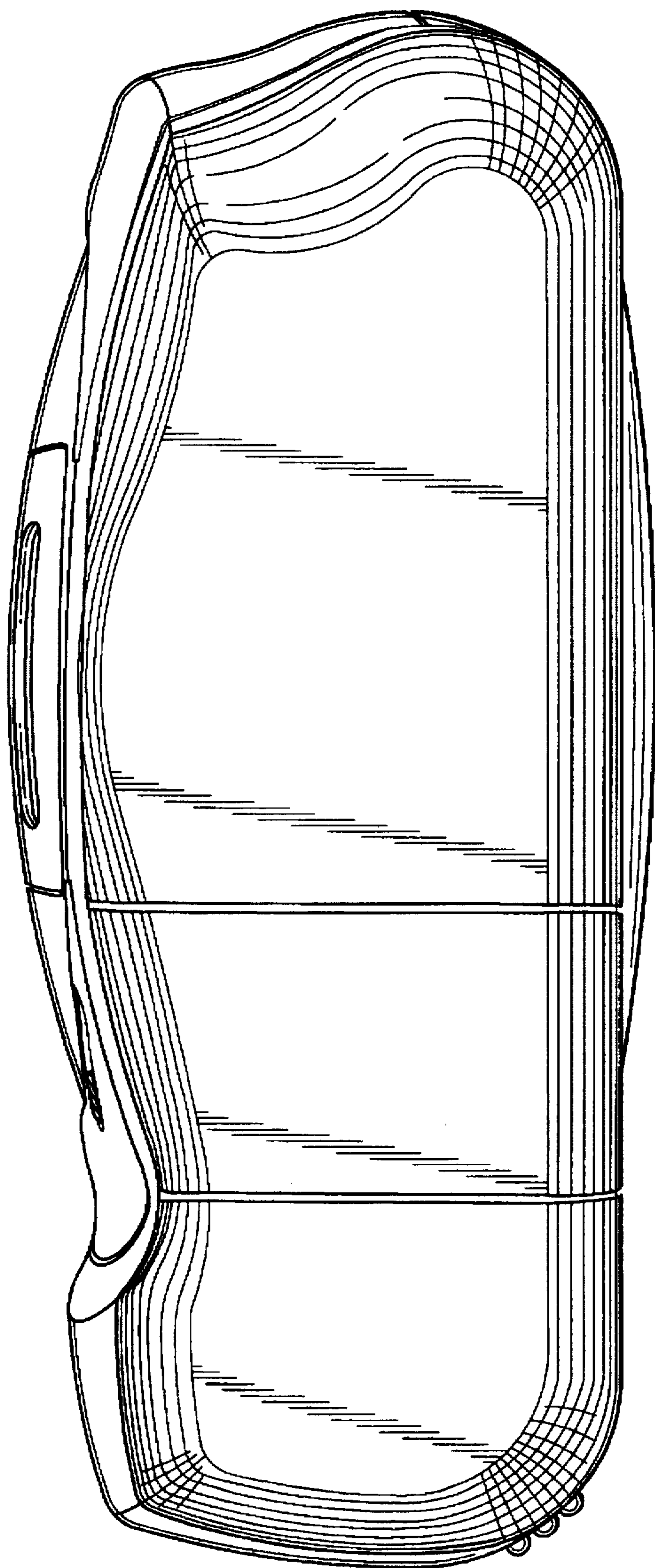


FIG. 6

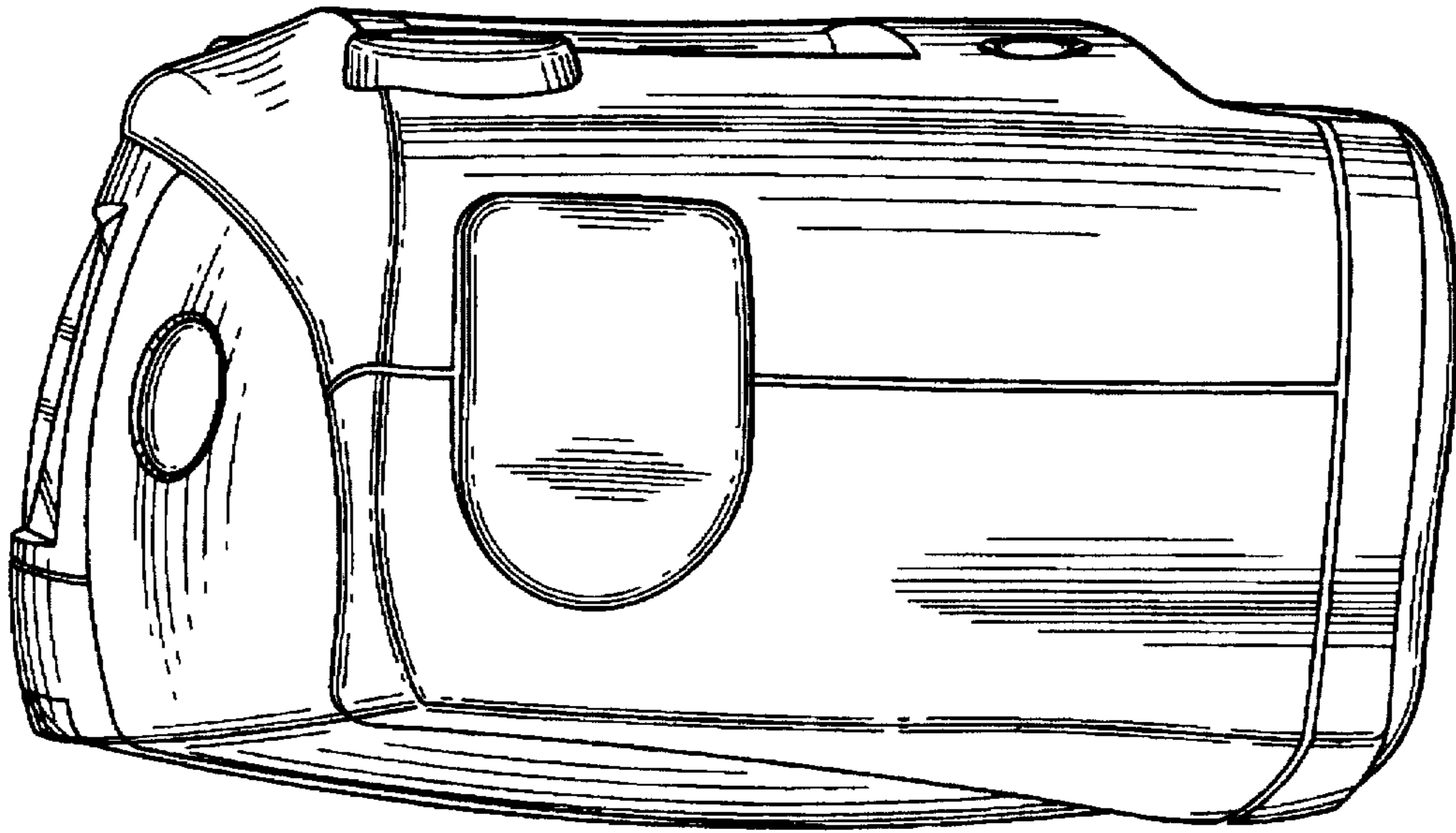


FIG. 7

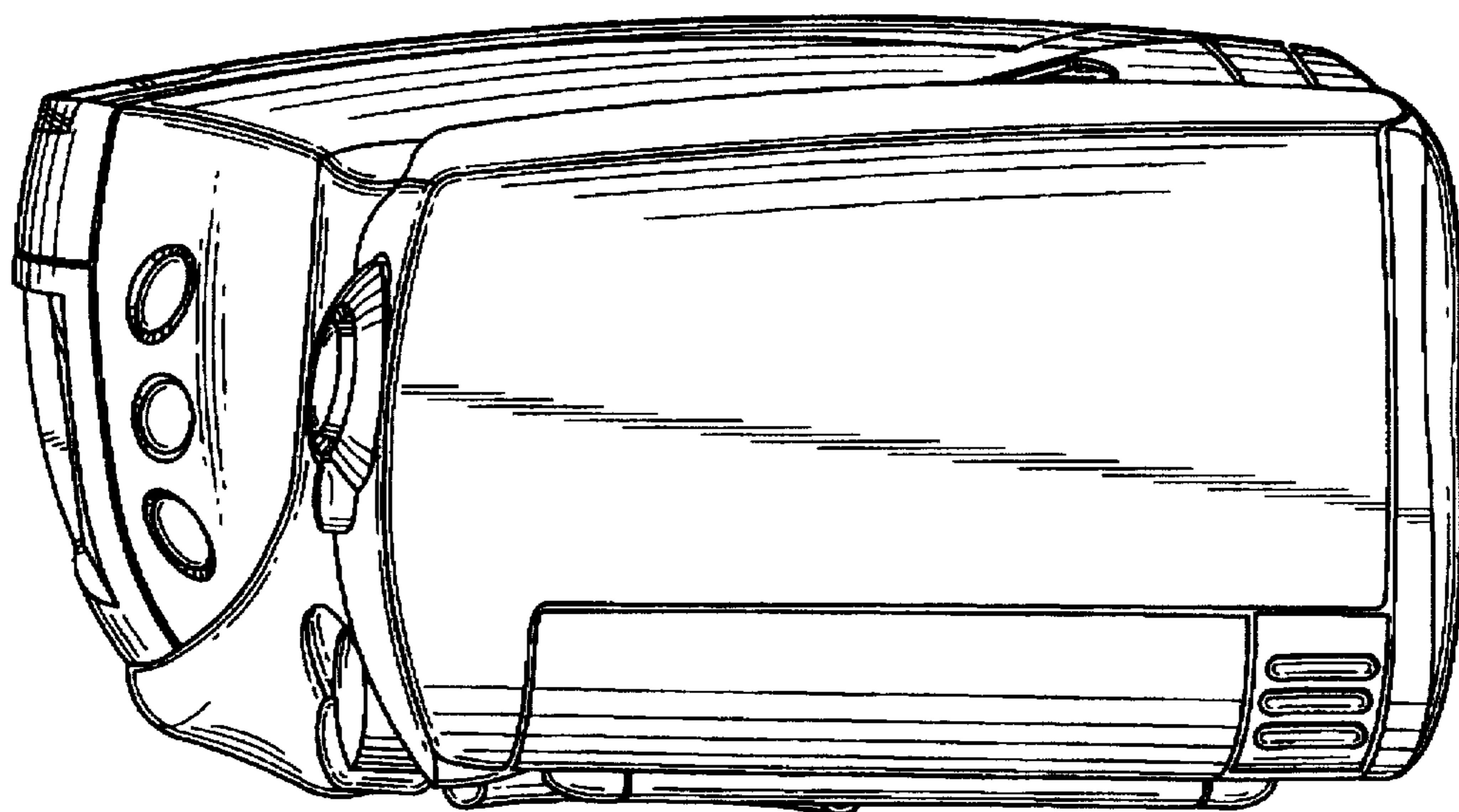


FIG. 8

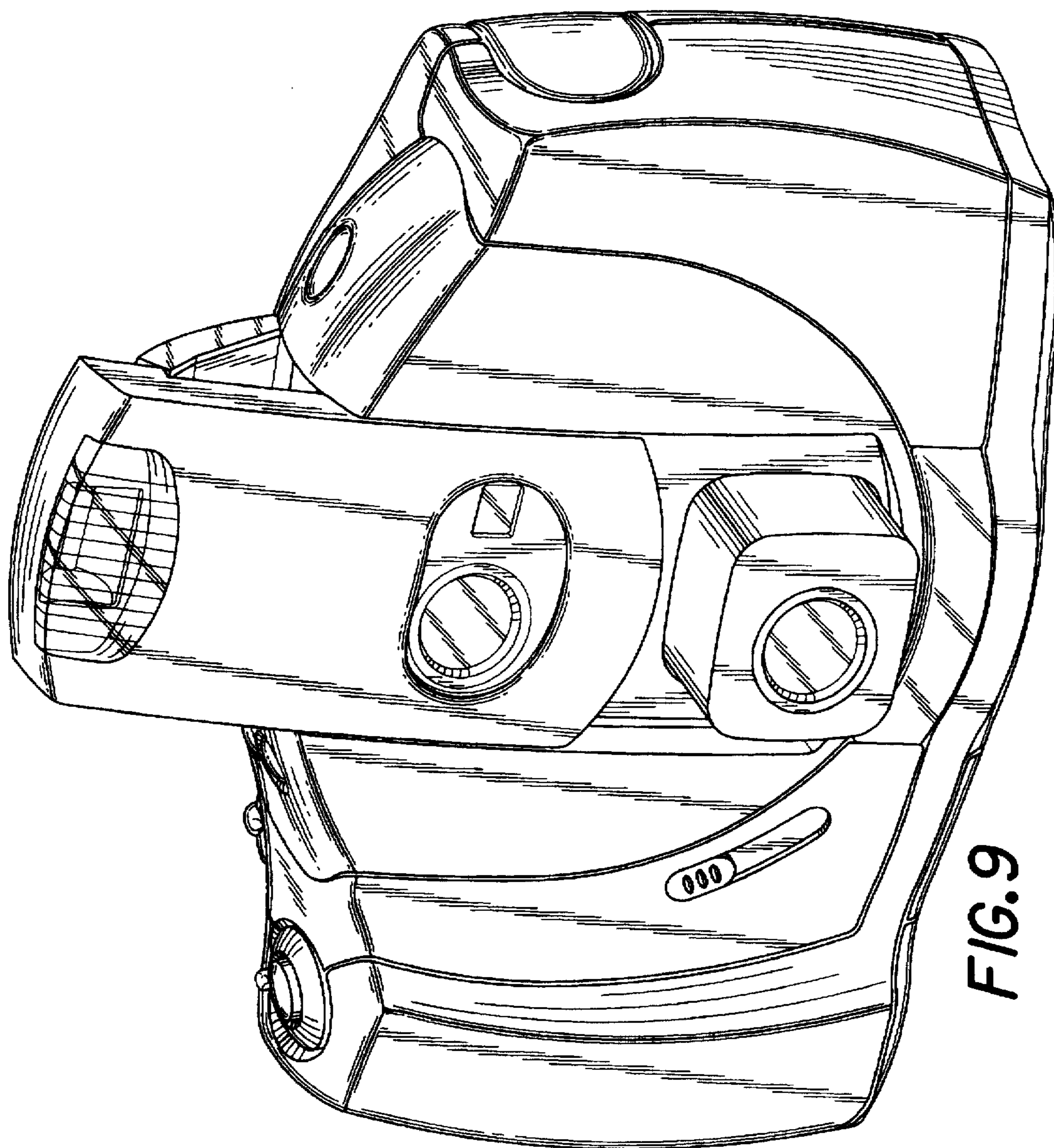


FIG. 9

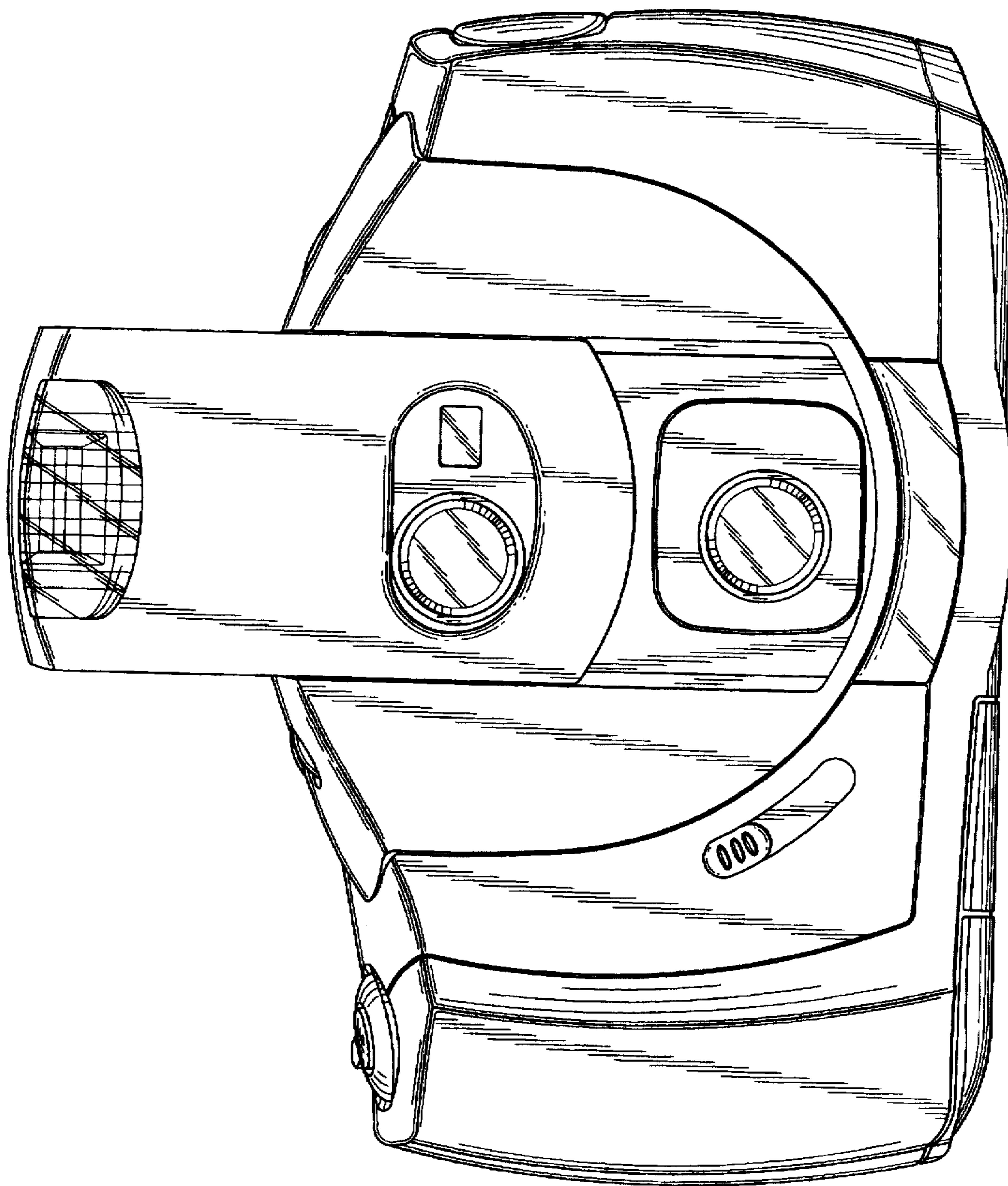


FIG. 10

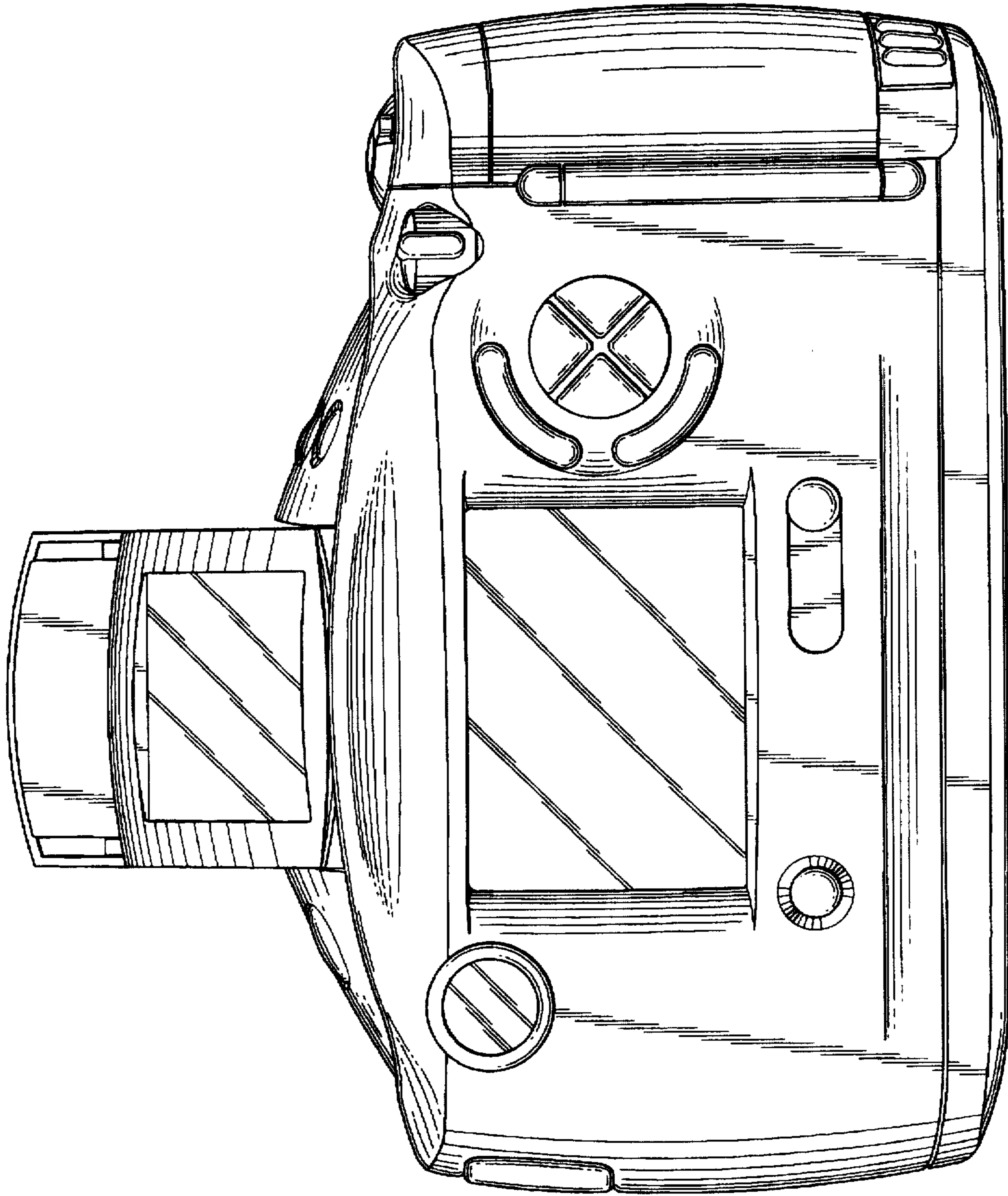


FIG. 11

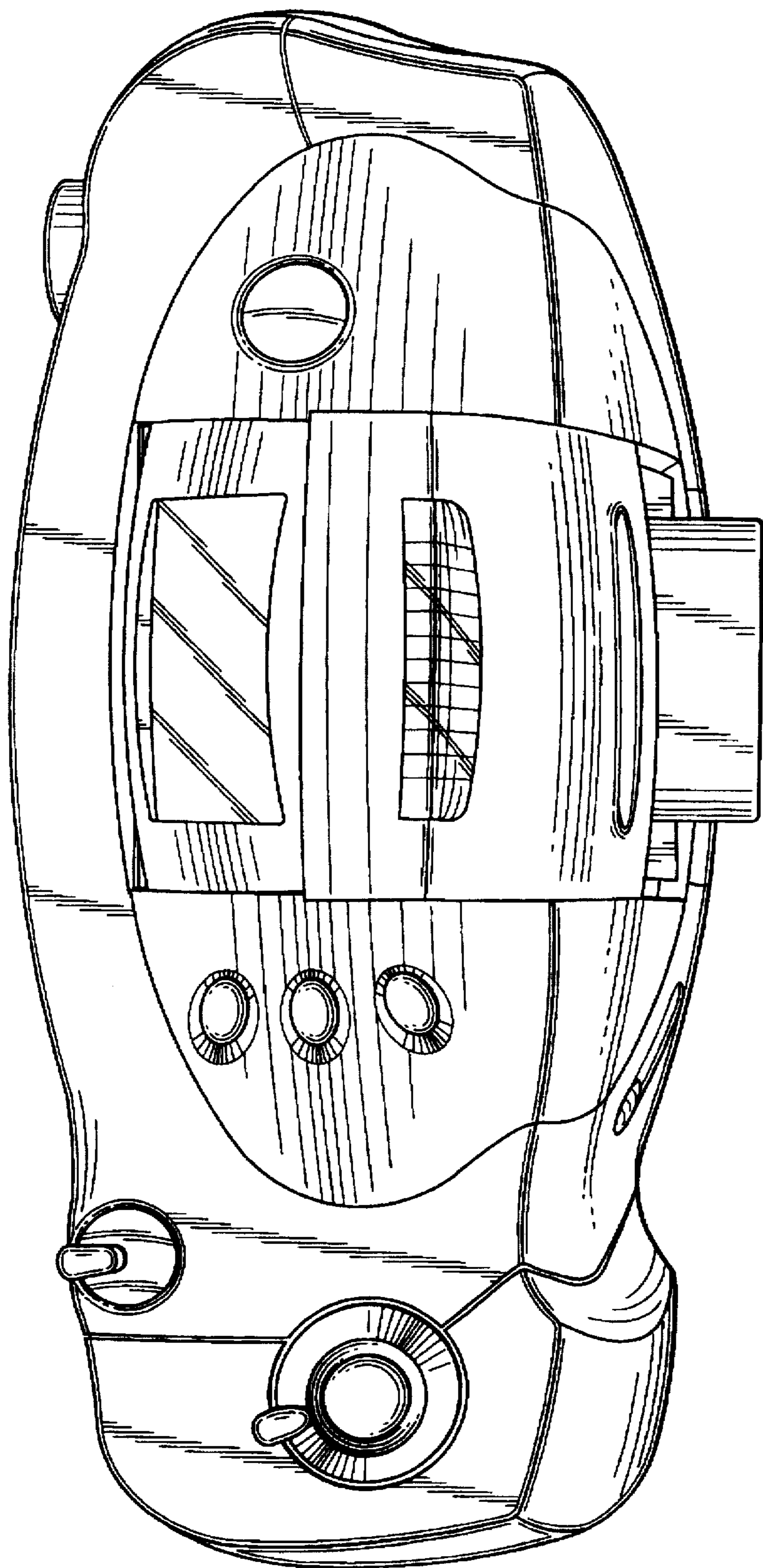


FIG. 12

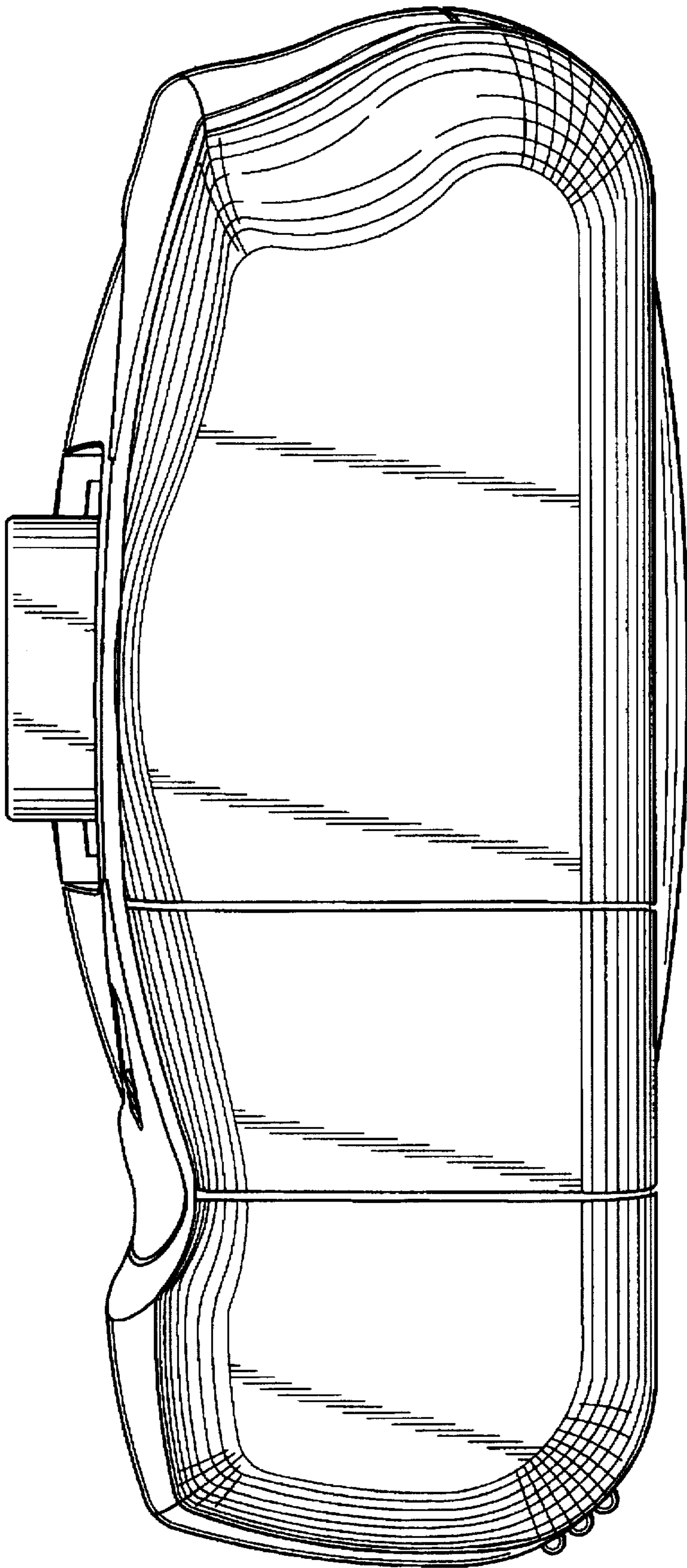


FIG. 13

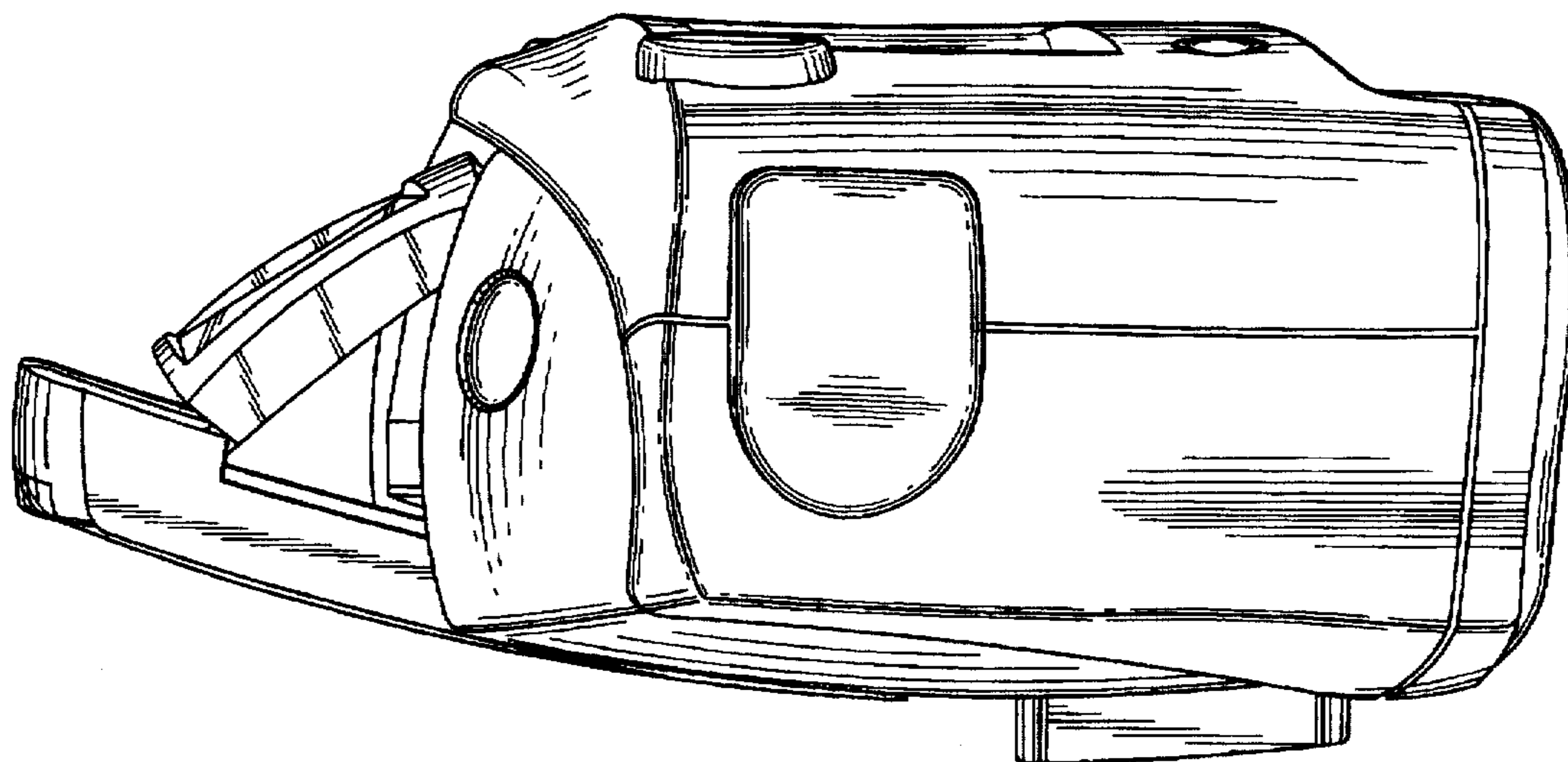


FIG. 14

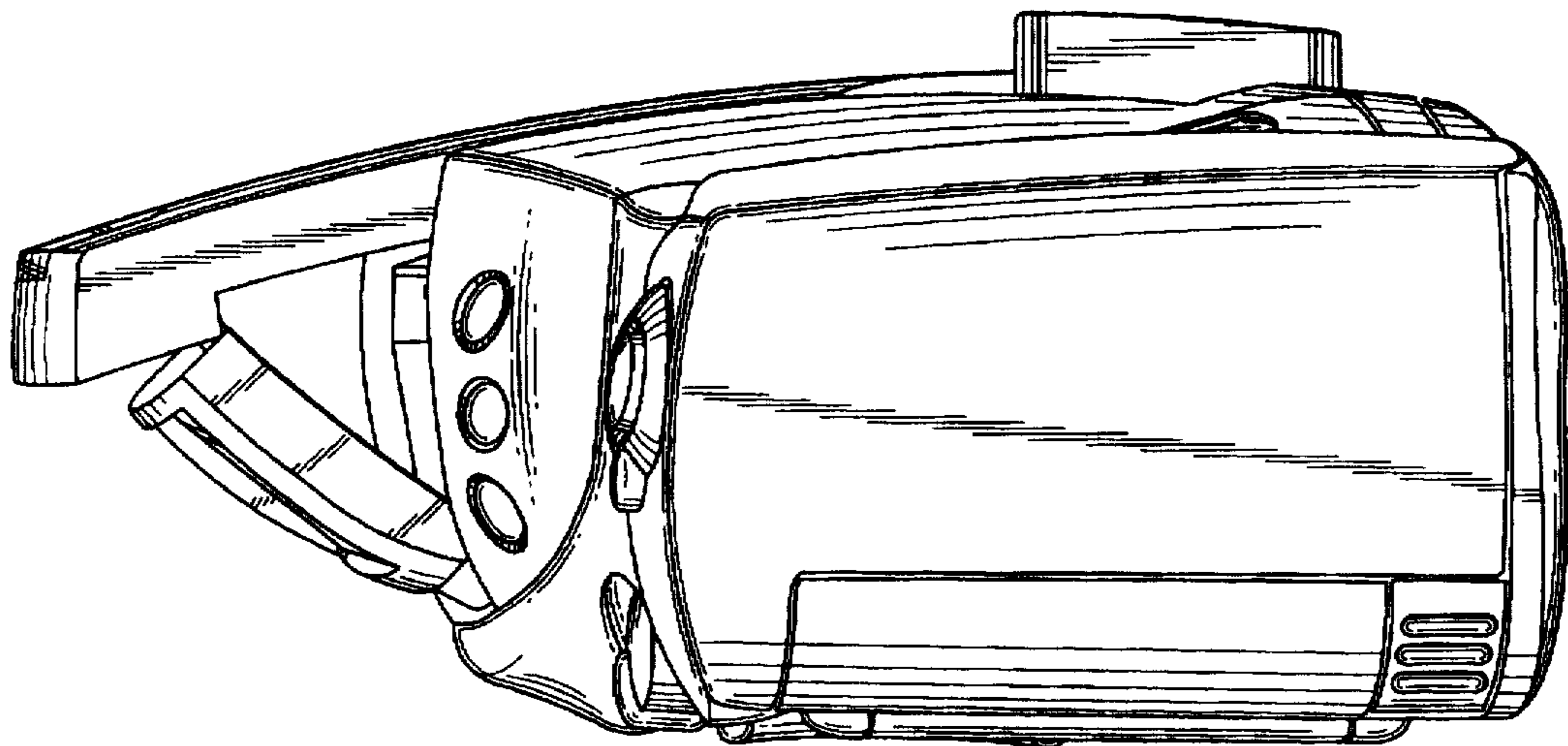


FIG. 15