



US00D388802S

United States Patent [19]
Wentz

[11] **Patent Number: Des. 388,802**
[45] **Date of Patent: **Jan. 6, 1998**

[54] **GUN MOUNTED CAMERA**

[76] **Inventor: Sylbia E. Wentz, 120 Pond View Dr.,
Dallas, N.C. 28034**

[**] **Term: 14 Years**

[21] **Appl. No.: 40,088**

[22] **Filed: Jun. 9, 1995**

[51] **LOC (6) Cl. 16-01**

[52] **U.S. Cl. D16/201; D22/108**

[58] **Field of Search D16/200, 201,
D16/208, 242; D22/103, 108; 396/429,
433, 419, 420**

[56] **References Cited**

U.S. PATENT DOCUMENTS

D. 342,082	12/1993	Kelley	D16/201
791,800	6/1905	Laur	354/82
1,246,328	11/1917	Rutzen	354/82
2,416,769	3/1947	Palmer	354/82
3,062,114	12/1962	Palos	354/76
4,415,250	11/1983	Rossmann et al.	354/195.1
4,835,621	5/1989	Black	358/335
4,907,022	3/1990	Myers	354/76

Primary Examiner—Philip S. Hyder
Assistant Examiner—Adir Aronovich
Attorney, Agent, or Firm—Dennis H. Lambert

[57] **CLAIM**

The ornamental design for a gun mounted camera, as shown and described.

DESCRIPTION

FIG. 1 is a top, front perspective view of a gun mounted camera showing my new design, the broken line showing of a gun is for illustrative purposes only and forms no part of the claimed design;

FIG. 2 is a left end elevational view thereof, as viewed in FIG. 1;

FIG. 3 is a right end elevational view thereof, as viewed in FIG. 1;

FIG. 4 is a rear elevational view thereof;

FIG. 5 is a front elevational view thereof;

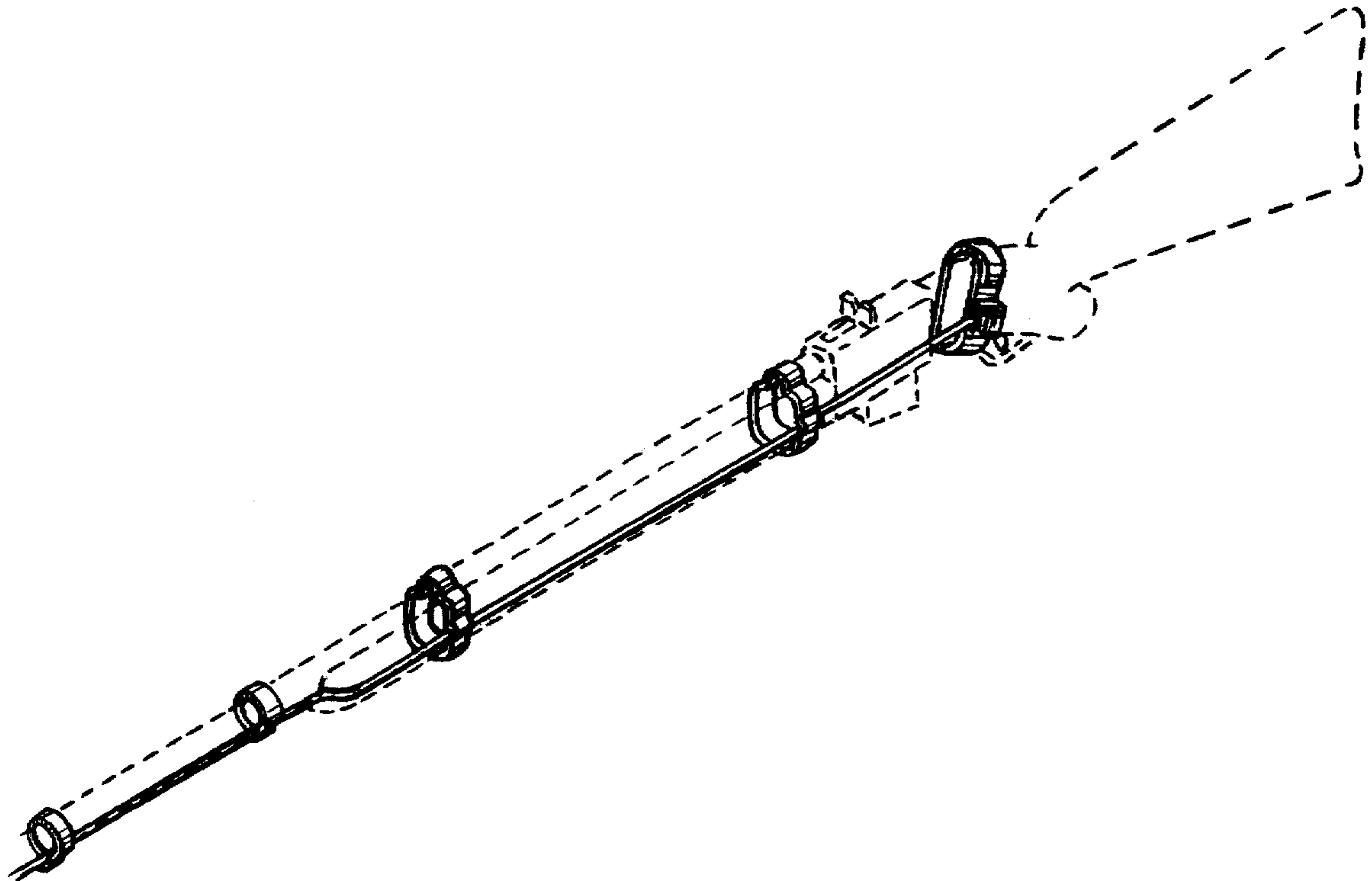
FIG. 6 is a top plan view thereof;

FIG. 7 is a bottom plan view thereof;

FIG. 8 is an enlarged fragmentary top front perspective view; and,

FIG. 9 is an enlarged fragmentary bottom rear perspective view thereof.

1 Claim, 5 Drawing Sheets



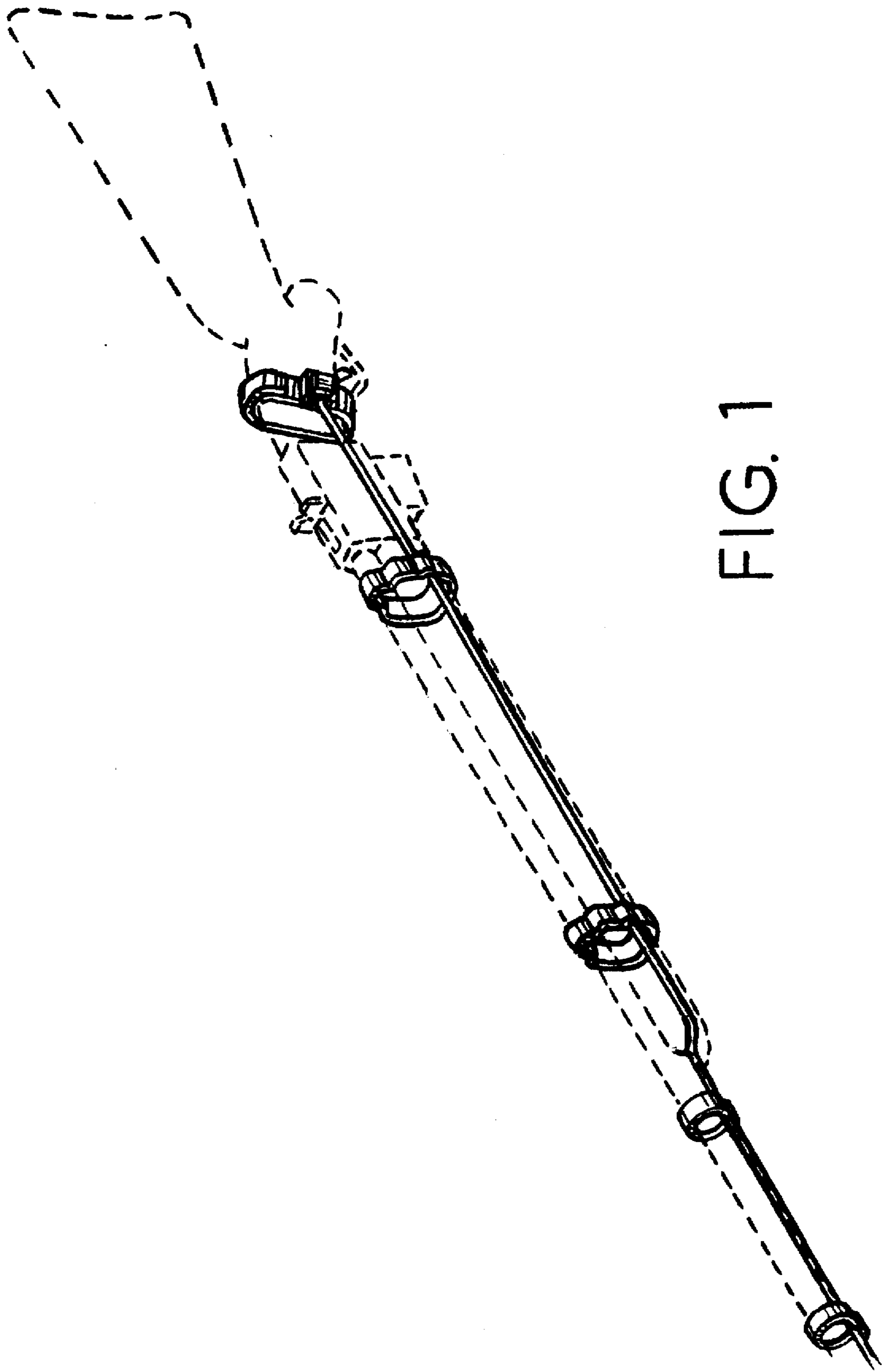


FIG. 1

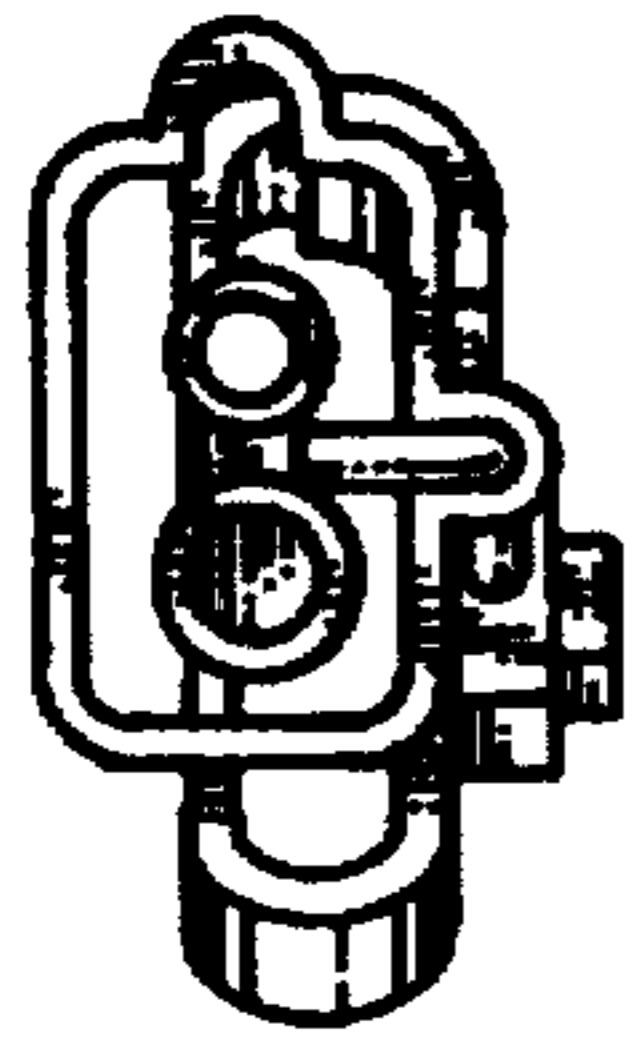


FIG. 2.

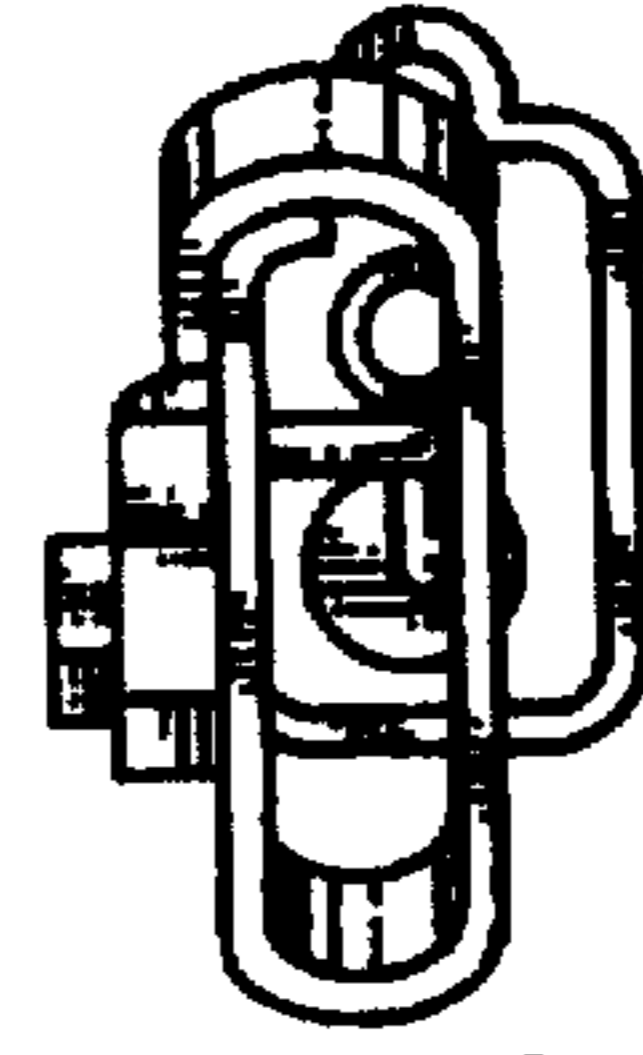


FIG. 3.

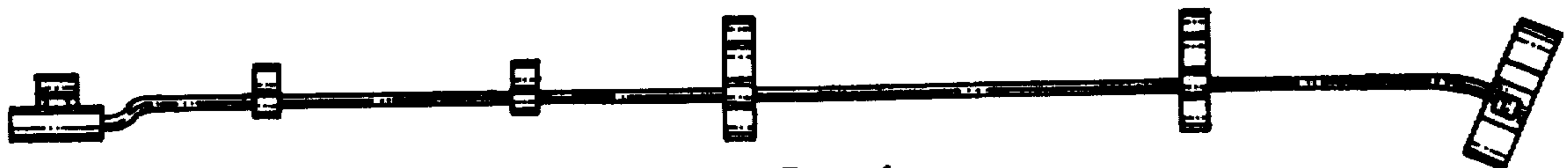


FIG. 4.



FIG. 6.

FIG. 5.

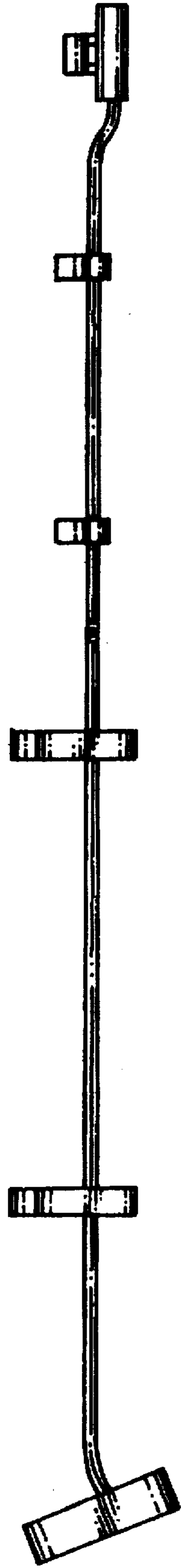
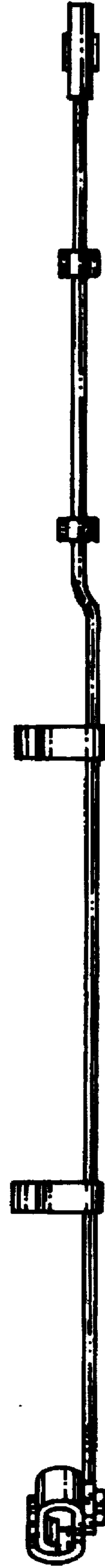


FIG. 7.



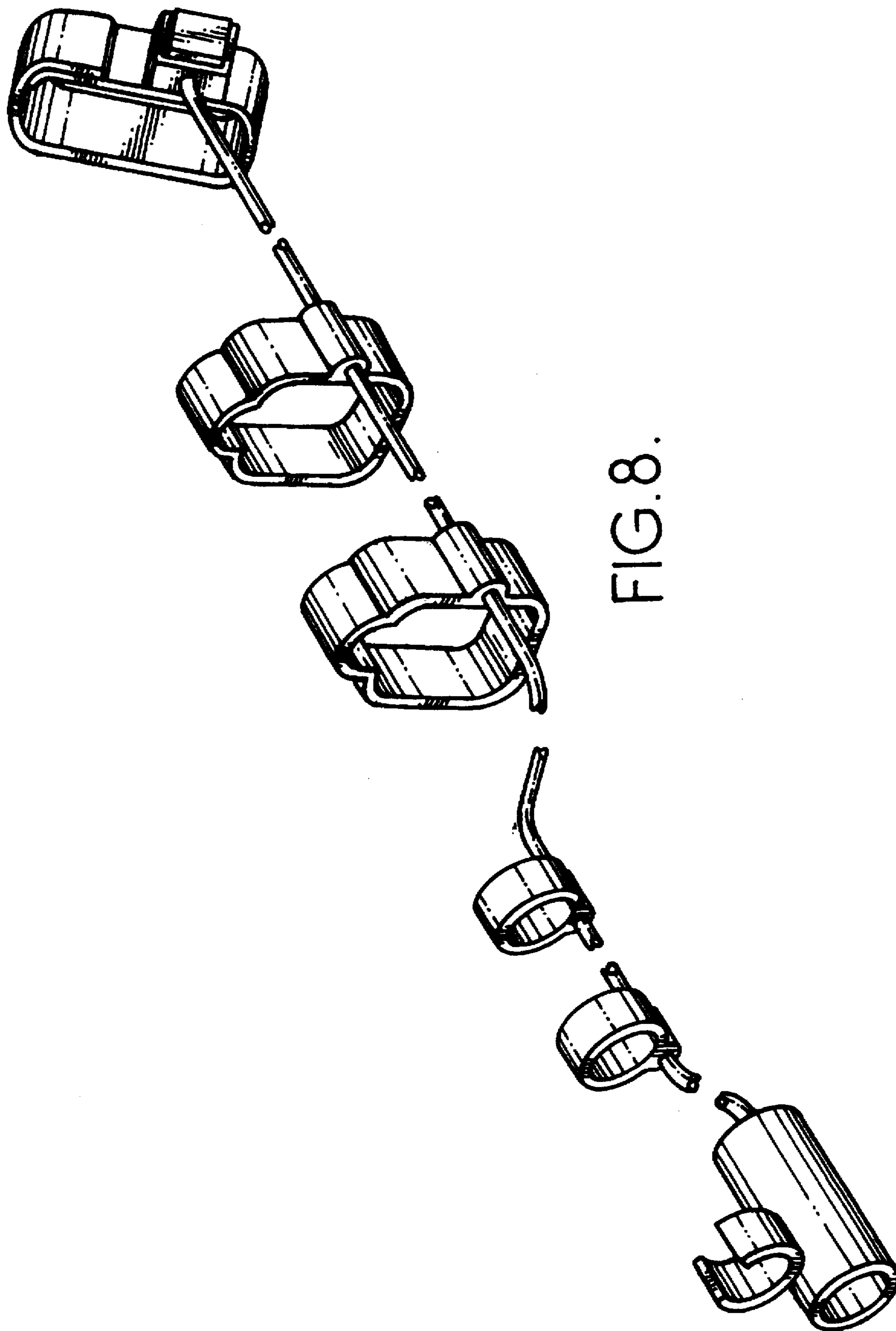


FIG. 8.

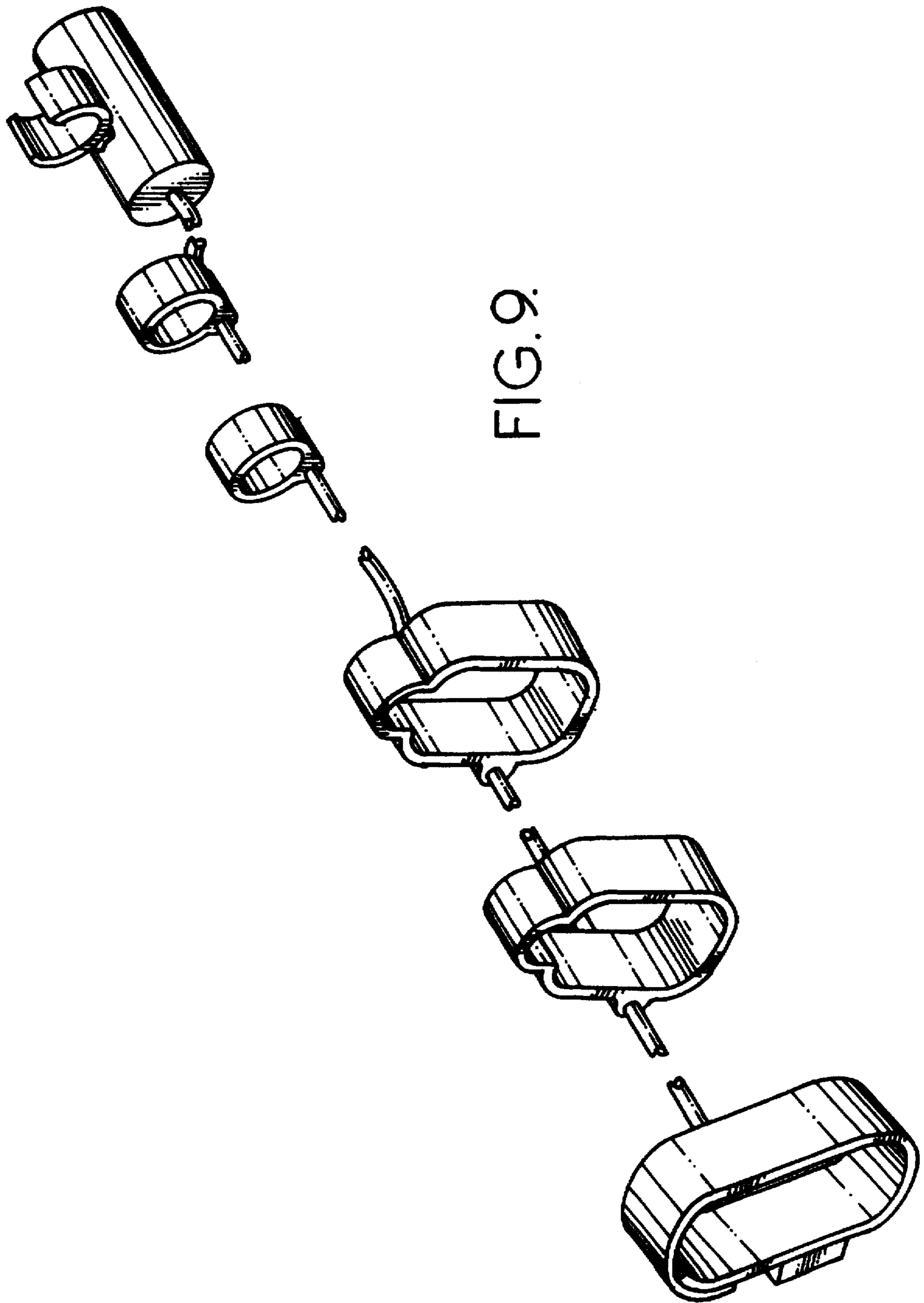


FIG. 9.