



US00D388800S

United States Patent [19]

Zook et al.

[11] Patent Number: **Des. 388,800**

[45] Date of Patent: ****Jan. 6, 1998**

[54] **MATERIAL MELTING AND DISPENSING APPARATUS**

[75] Inventors: **Jon C. Zook**, Hendersonville, Tenn.;
Charles Pycha, Chicago, Ill.

[73] Assignee: **Illinois Tool Works Inc.**, Glenview, Ill.

[**] Term: **14 Years**

[21] Appl. No.: **38,886**

[22] Filed: **May 15, 1995**

[51] LOC (6) CL **15-09**

[52] U.S. Cl. **D15/144**

[58] Field of Search **D15/144, 144.1,**
D15/144.2; 219/420-426, 460, 430, 431,
440; 222/1.46 HE

[56] **References Cited**

U.S. PATENT DOCUMENTS

4,456,151 6/1984 Lewellen 222/146 HE

Primary Examiner—Antoine Duval Davis

Attorney, Agent, or Firm—Donald J. Breh; Thomas W. Buckman; John P. O'Brien

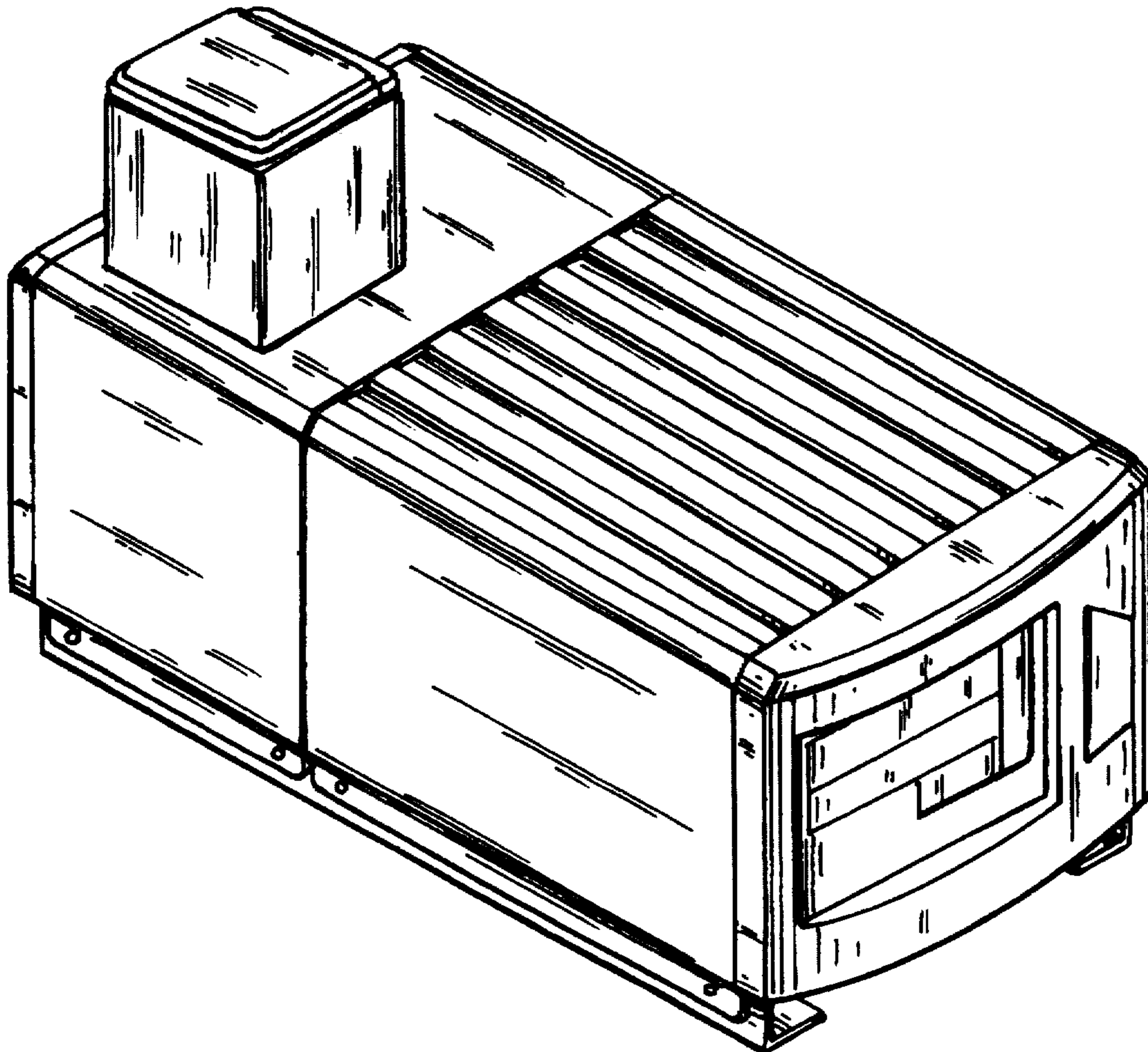
[57] **CLAIM**

The ornamental design for a material melting and dispensing apparatus, as shown and described.

DESCRIPTION

FIG. 1 is a left side top perspective view of the material melting and dispensing apparatus;
FIG. 2 is a front view of the material melting and dispensing apparatus;
FIG. 3 is a rear view of the material melting and dispensing apparatus;
FIG. 4 is a bottom view of the material melting and dispensing apparatus;
FIG. 5 is a top view of the material melting and dispensing apparatus;
FIG. 6 is a left side view of the material melting and dispensing apparatus; and,
FIG. 7 is a right side view of the material melting and dispensing apparatus.

1 Claim, 3 Drawing Sheets



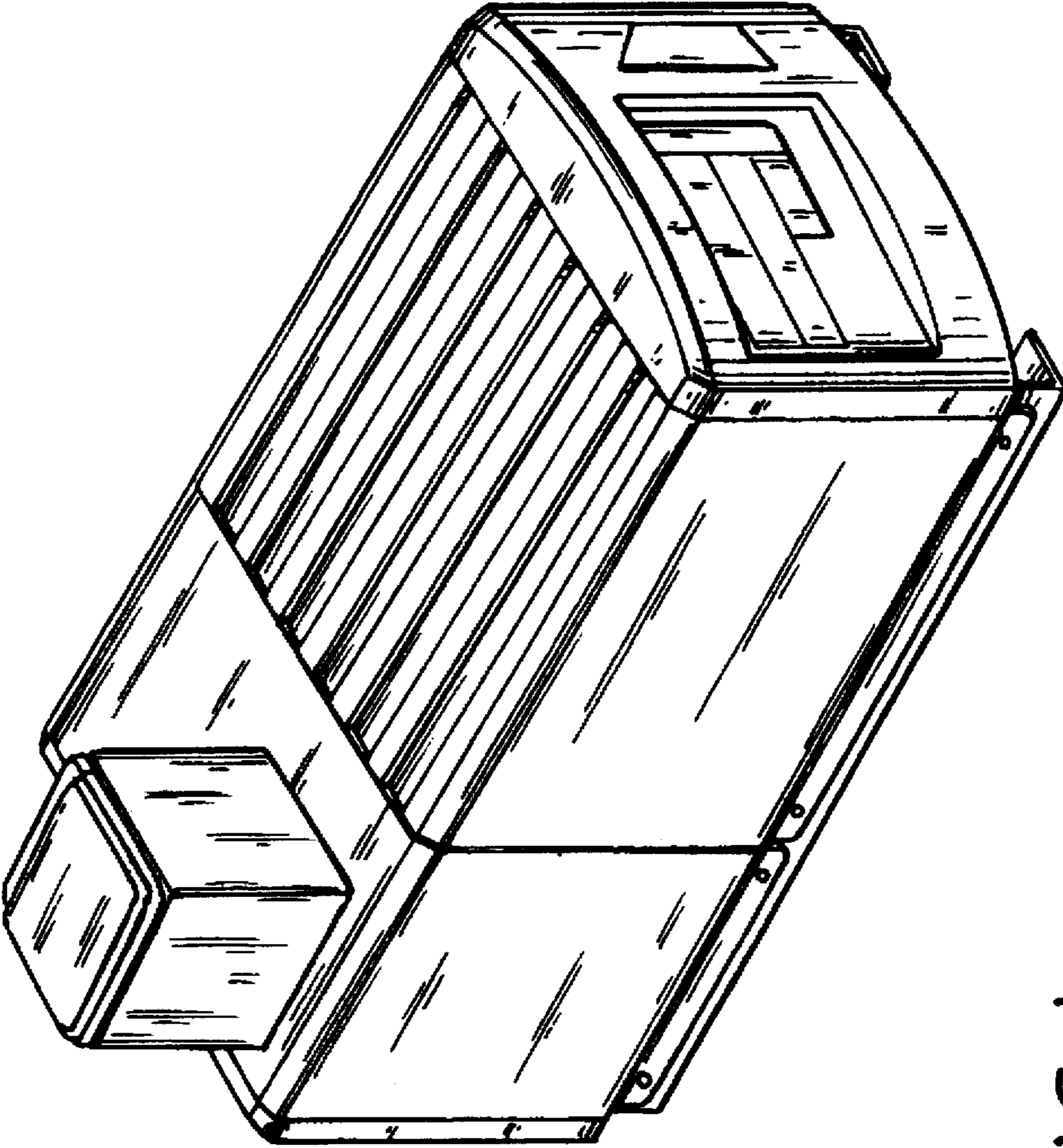


FIG. 1

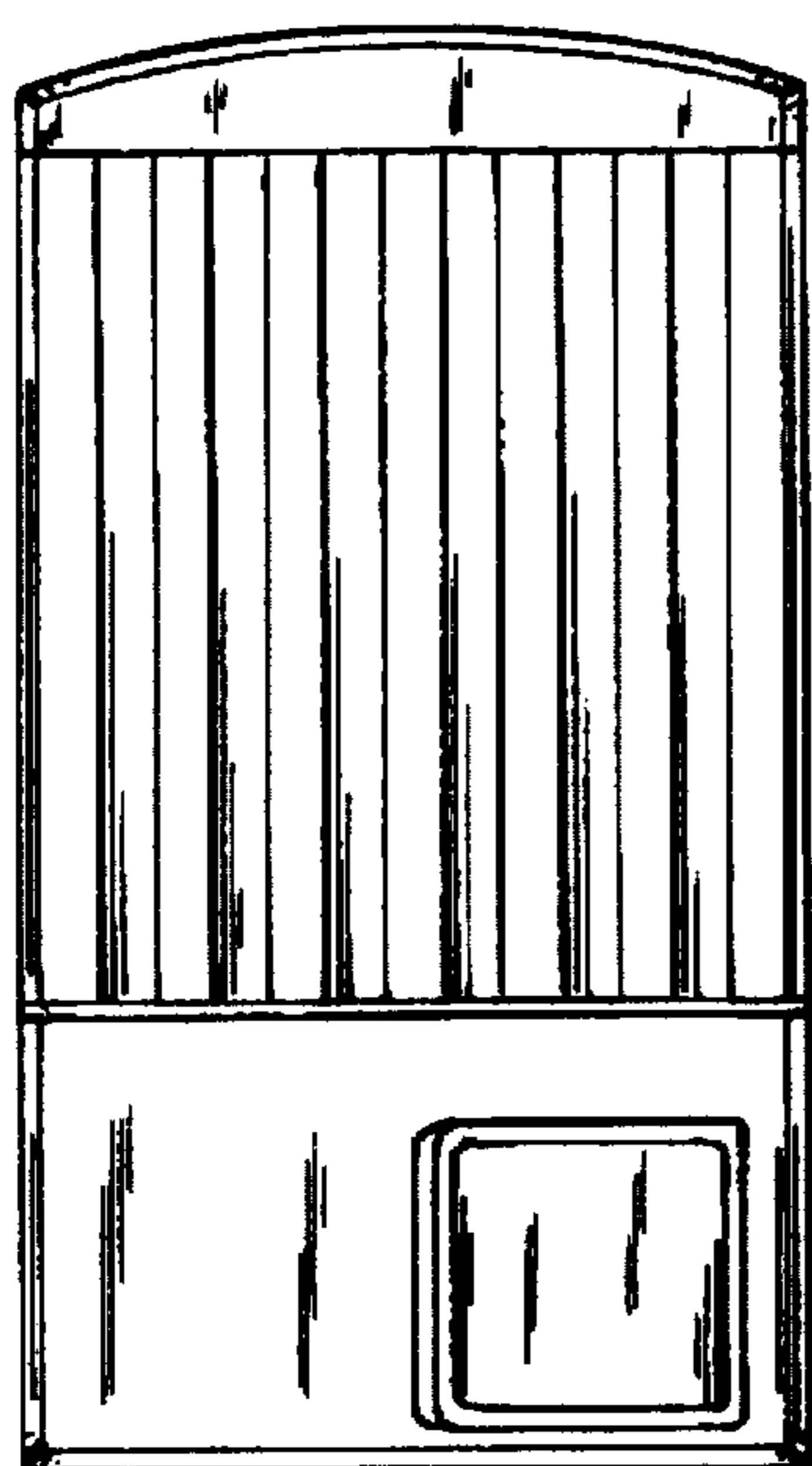


FIG. 5

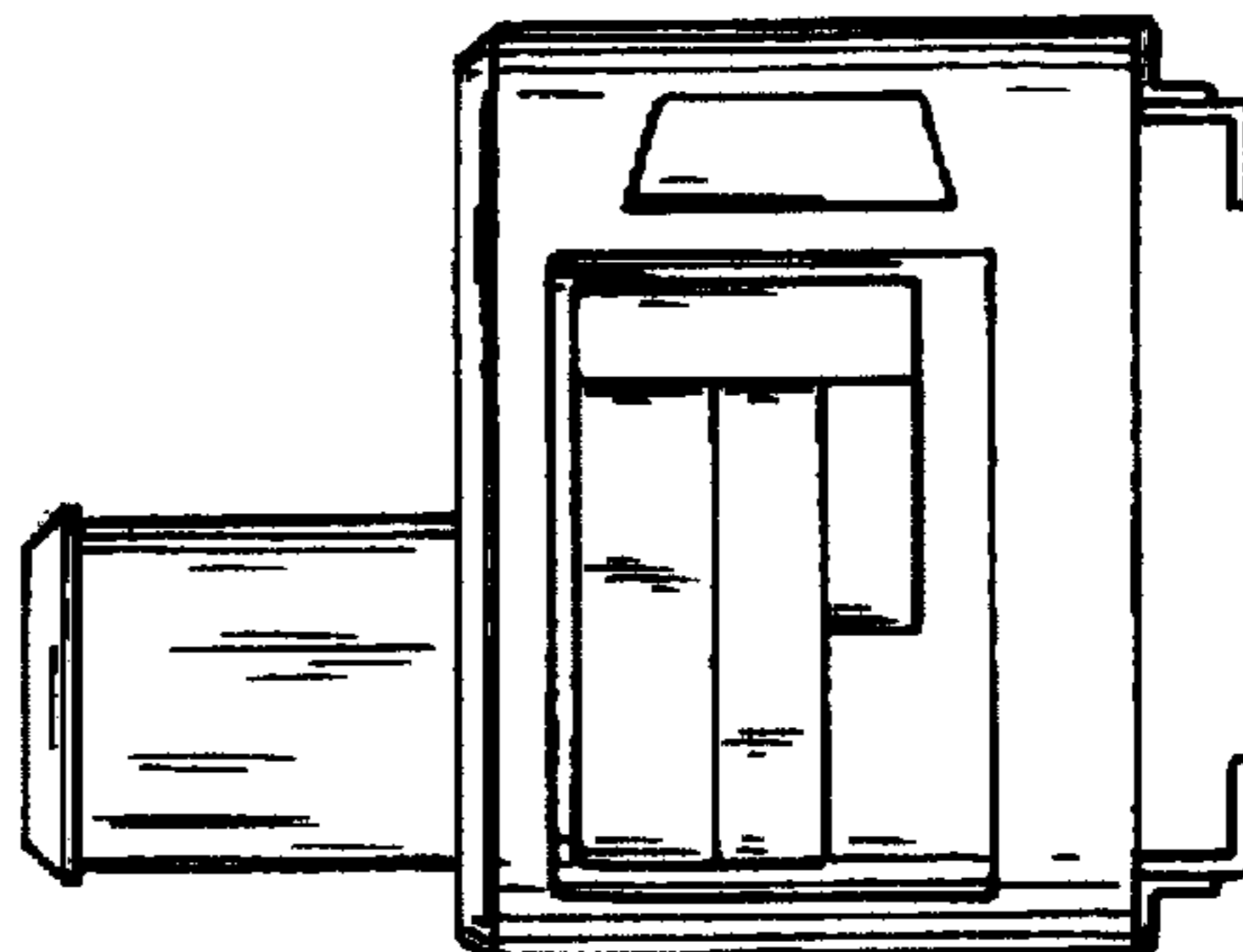


FIG. 2

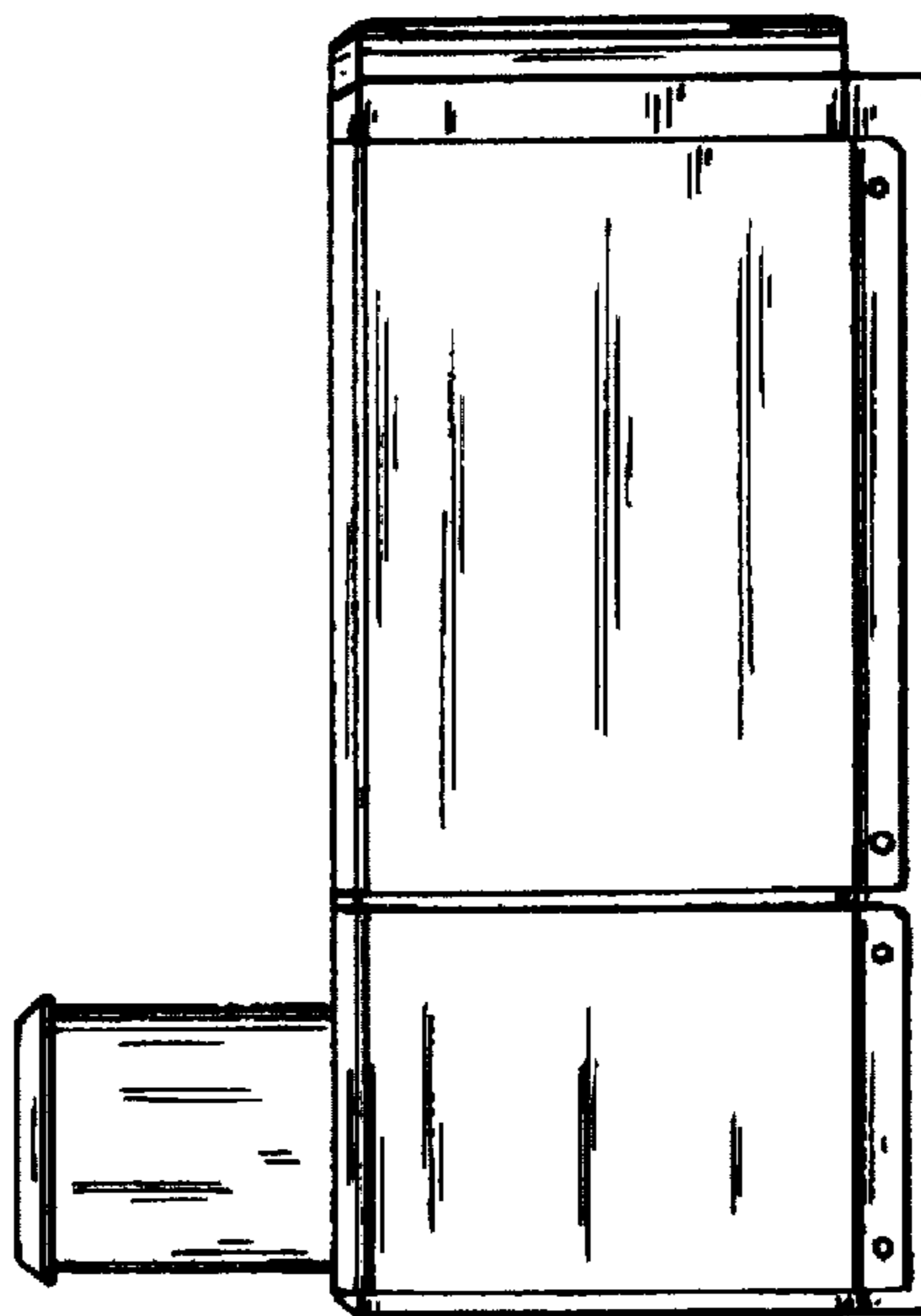


FIG. 6

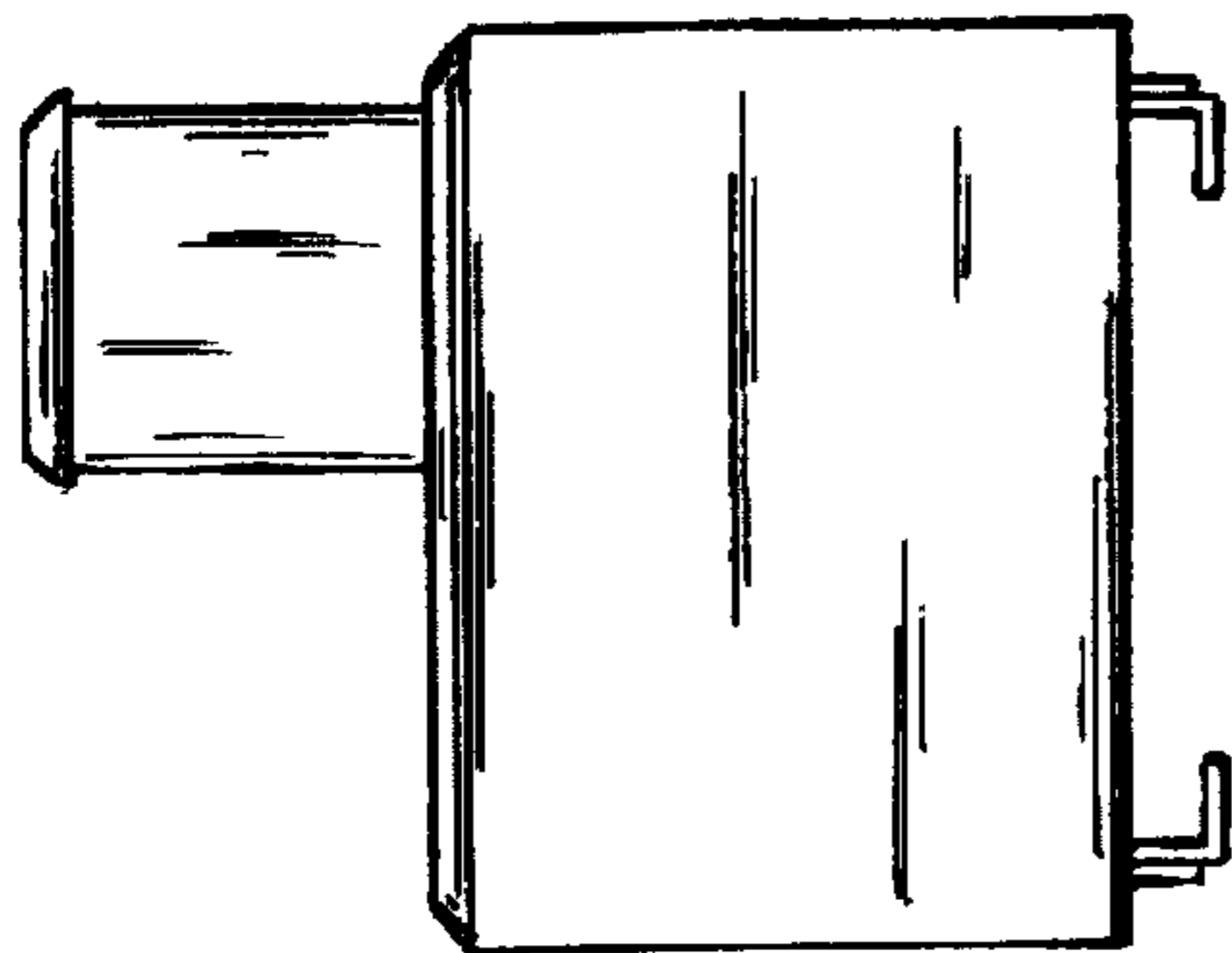


FIG. 3

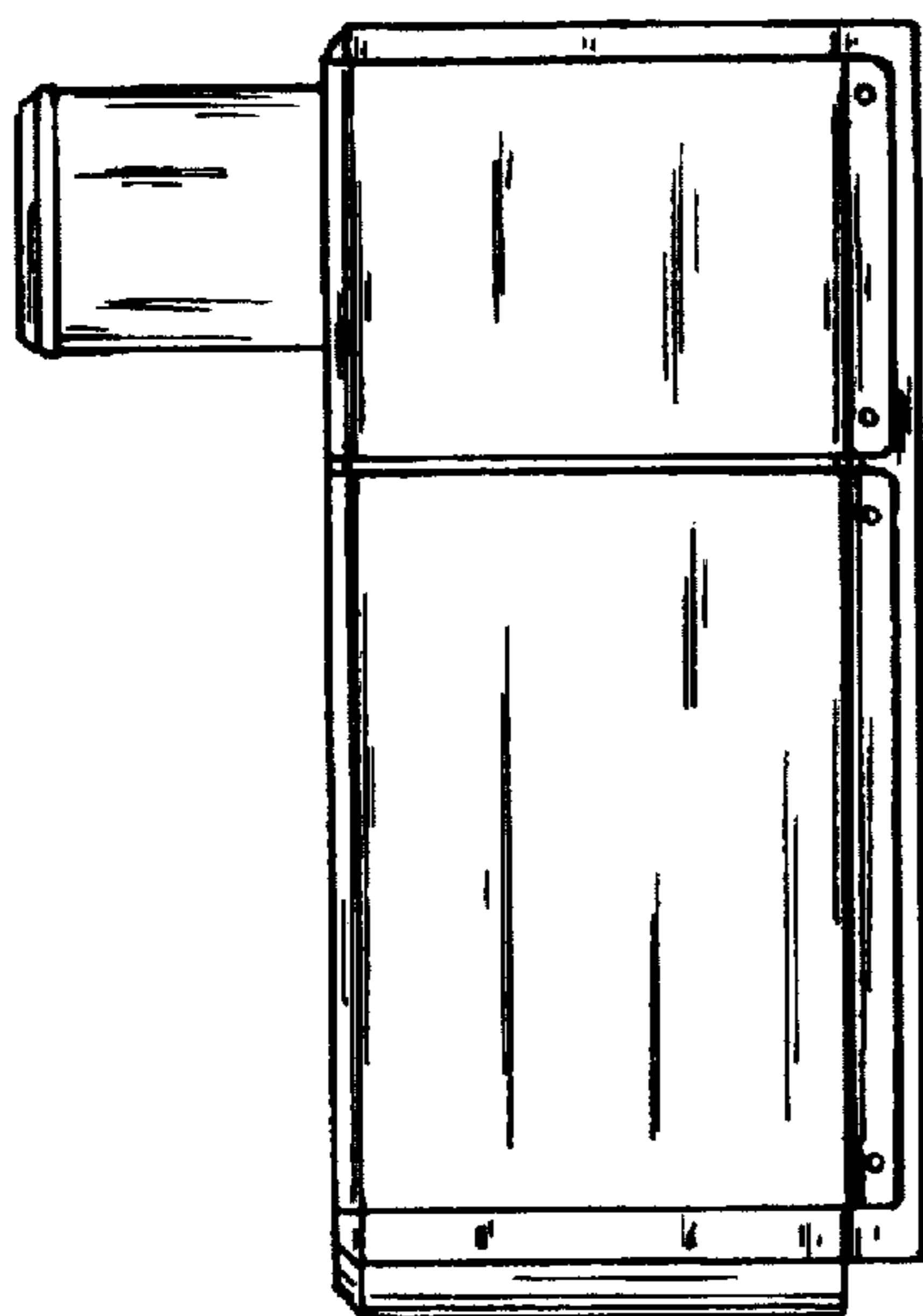


FIG. 7

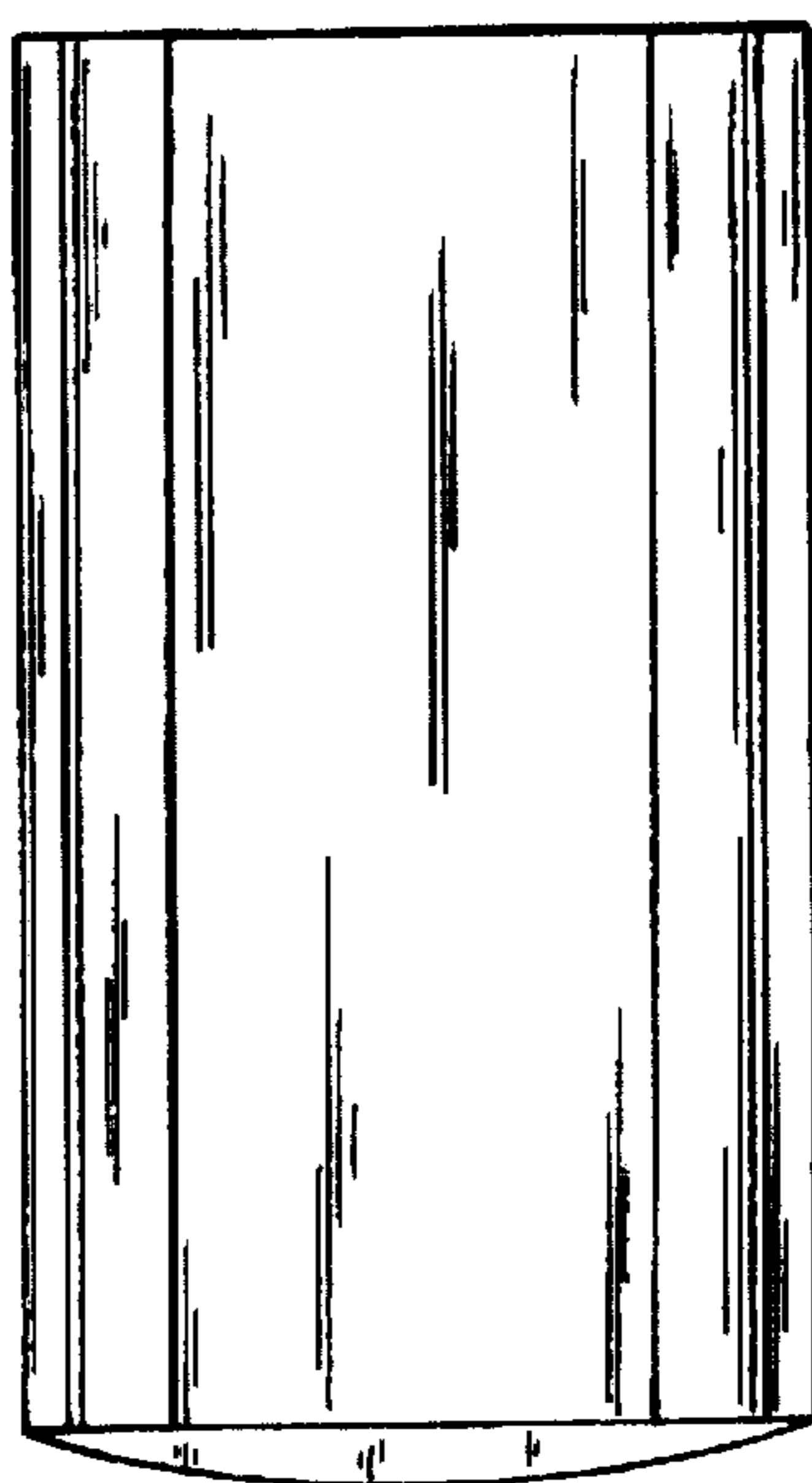


FIG. 4