

US00D388798S

**United States Patent** [19]  
**Kan**

[11] **Patent Number:** **Des. 388,798**  
[45] **Date of Patent:** **\*\*Jan. 6, 1998**

[54] **AIR COMPRESSOR WITH AUTOMATIC CUT-OFF PLUS HIGH VOLUME INFLATOR AND POWERFUL SPOTLIGHT**

[75] **Inventor:** **Paul Wong Wai Kan**, New Territories, Hong Kong

[73] **Assignee:** **Good Hope Industries, Ltd.**, Hong Kong, Hong Kong

[\*\*] **Term:** **14 Years**

[21] **Appl. No.:** **51,367**

[22] **Filed:** **Mar. 7, 1996**

[30] **Foreign Application Priority Data**

Oct. 30, 1995 [GB] United Kingdom ..... 2051538

[51] **LOC (6) CL.** ..... **15-02**

[52] **U.S. Cl.** ..... **D15/9**

[58] **Field of Search** ..... **D15/7-9.1; 417/415, 417/234, 235**

[56] **References Cited**

**U.S. PATENT DOCUMENTS**

D. 300,433 3/1989 Byar et al. .... D15/9  
D. 355,918 2/1995 Wang ..... D15/9

*Primary Examiner*—Ralf Seifert

*Attorney, Agent, or Firm*—Blakely Sokoloff Taylor & Zafman

[57] **CLAIM**

The ornamental design for air compressor with automatic cut-off plus high volume inflator and powerful spotlight, as shown and described.

**DESCRIPTION**

FIG. 1 is a perspective view from above, front and right side thereof;

FIG. 2 is a front elevation view thereof;

FIG. 3 is a rear elevation view thereof;

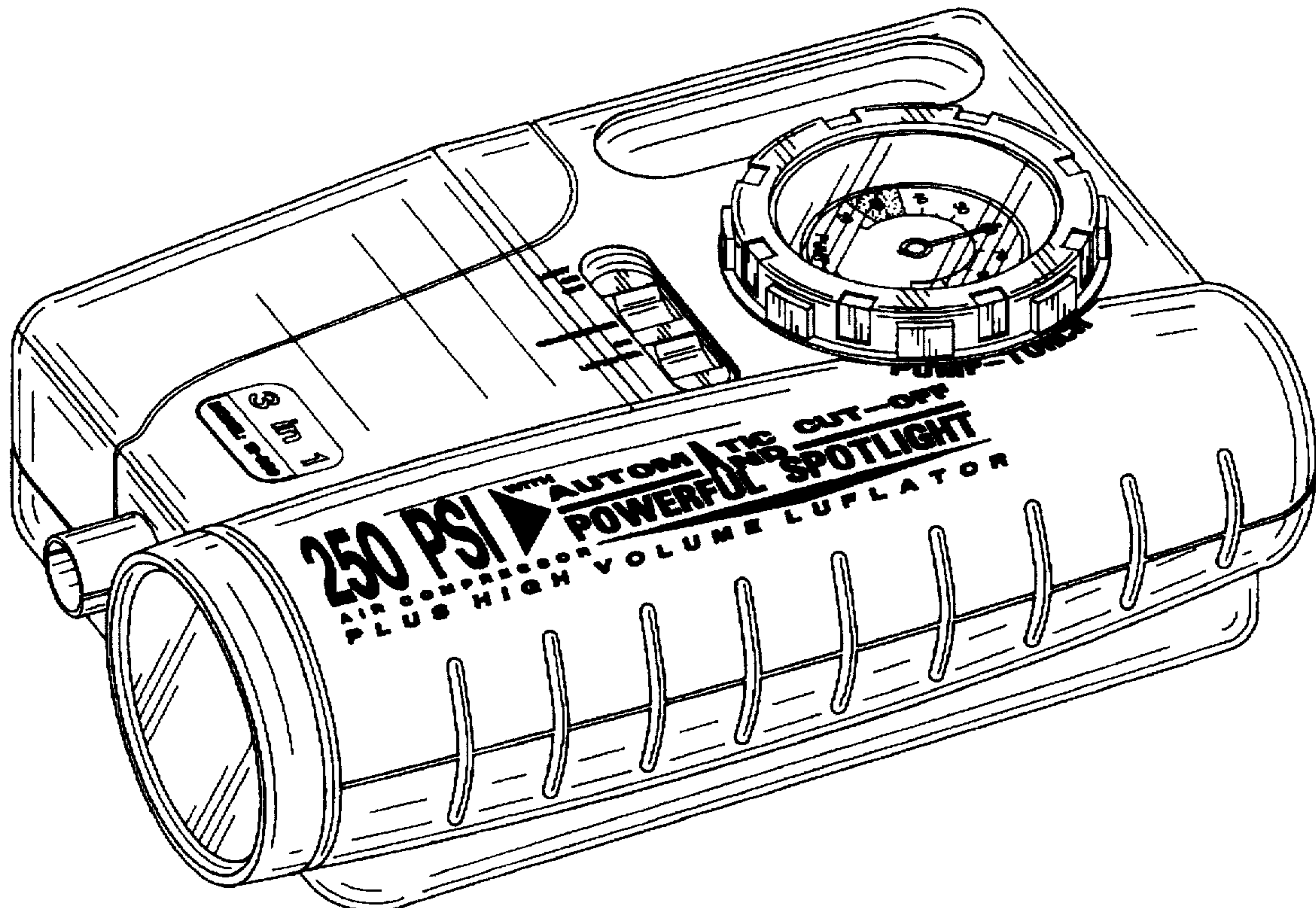
FIG. 4 is a right side elevation view thereof;

FIG. 5 is a left side elevation view thereof;

FIG. 6 is a bottom plan view thereof; and,

FIG. 7 is a top plan view thereof.

**1 Claim, 4 Drawing Sheets**



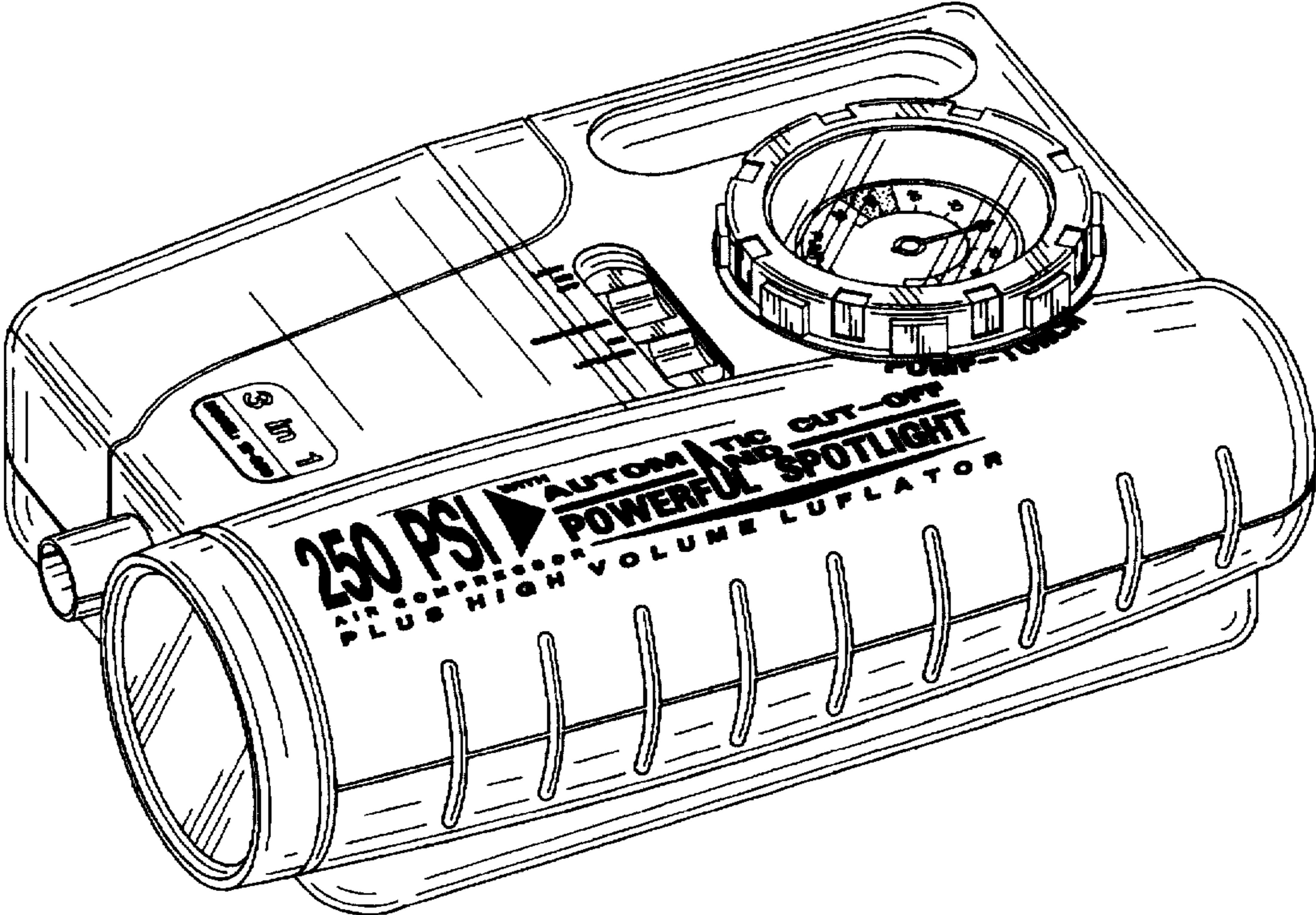


FIG. 1

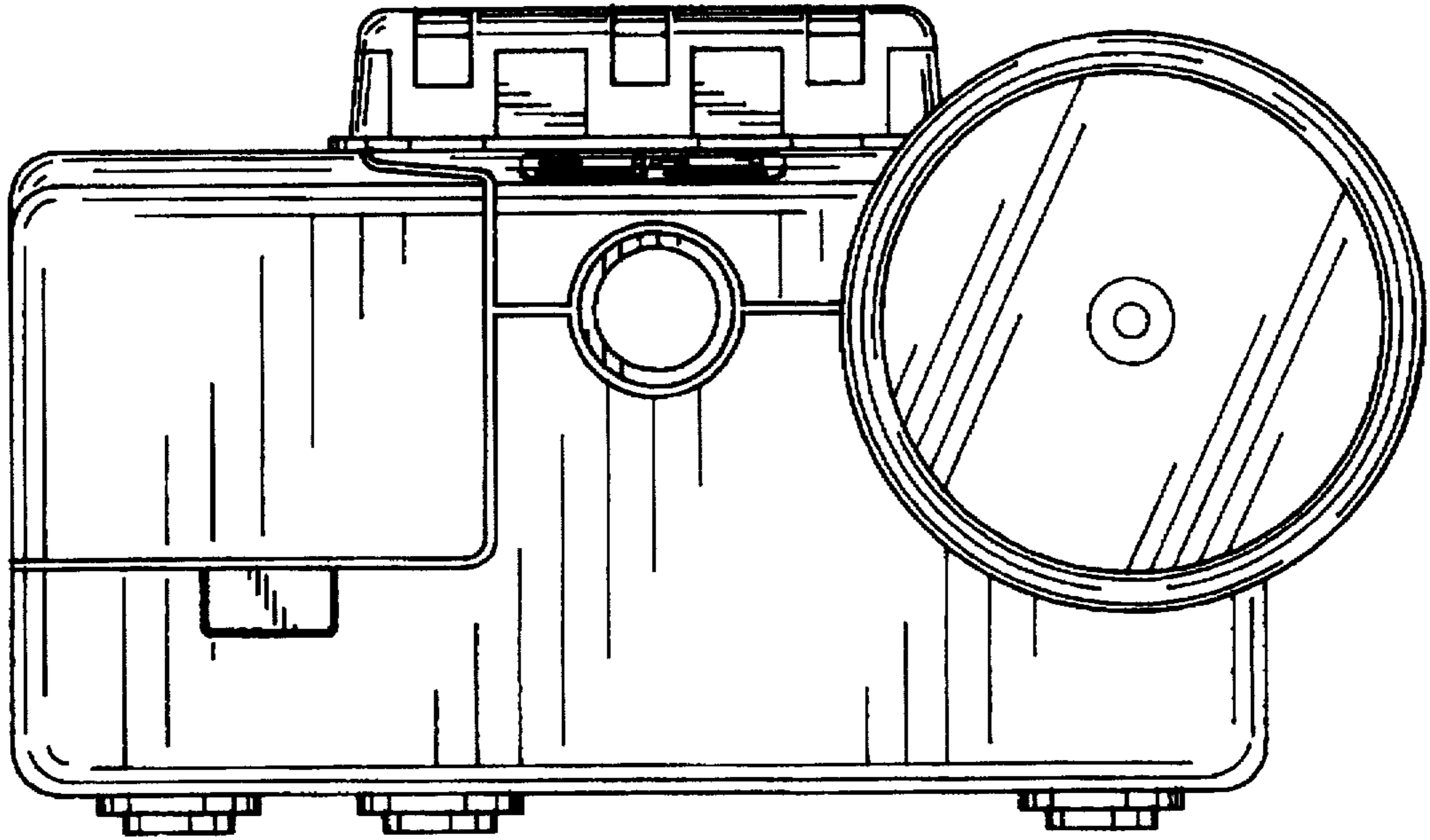


FIG. 2

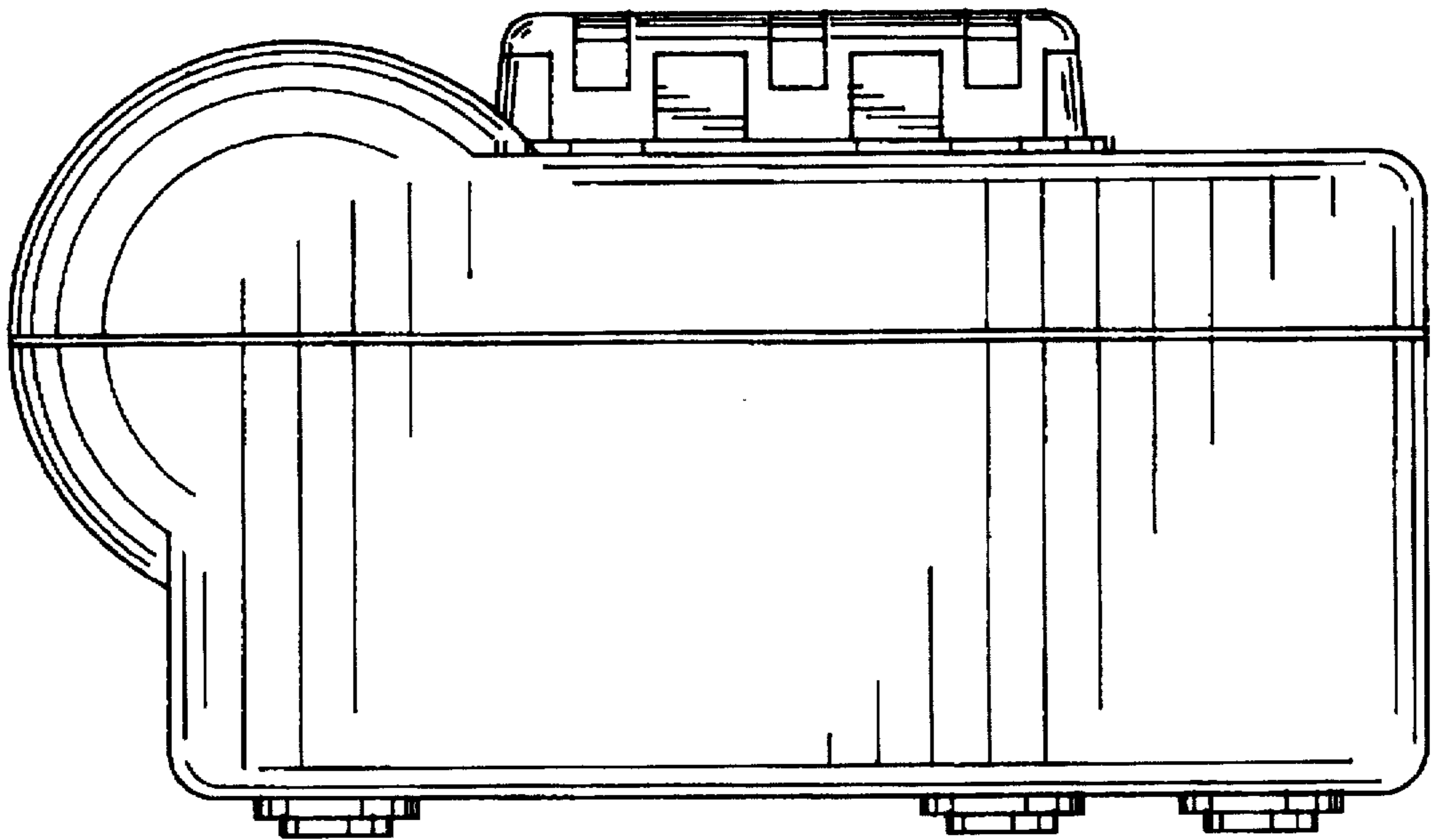


FIG. 3



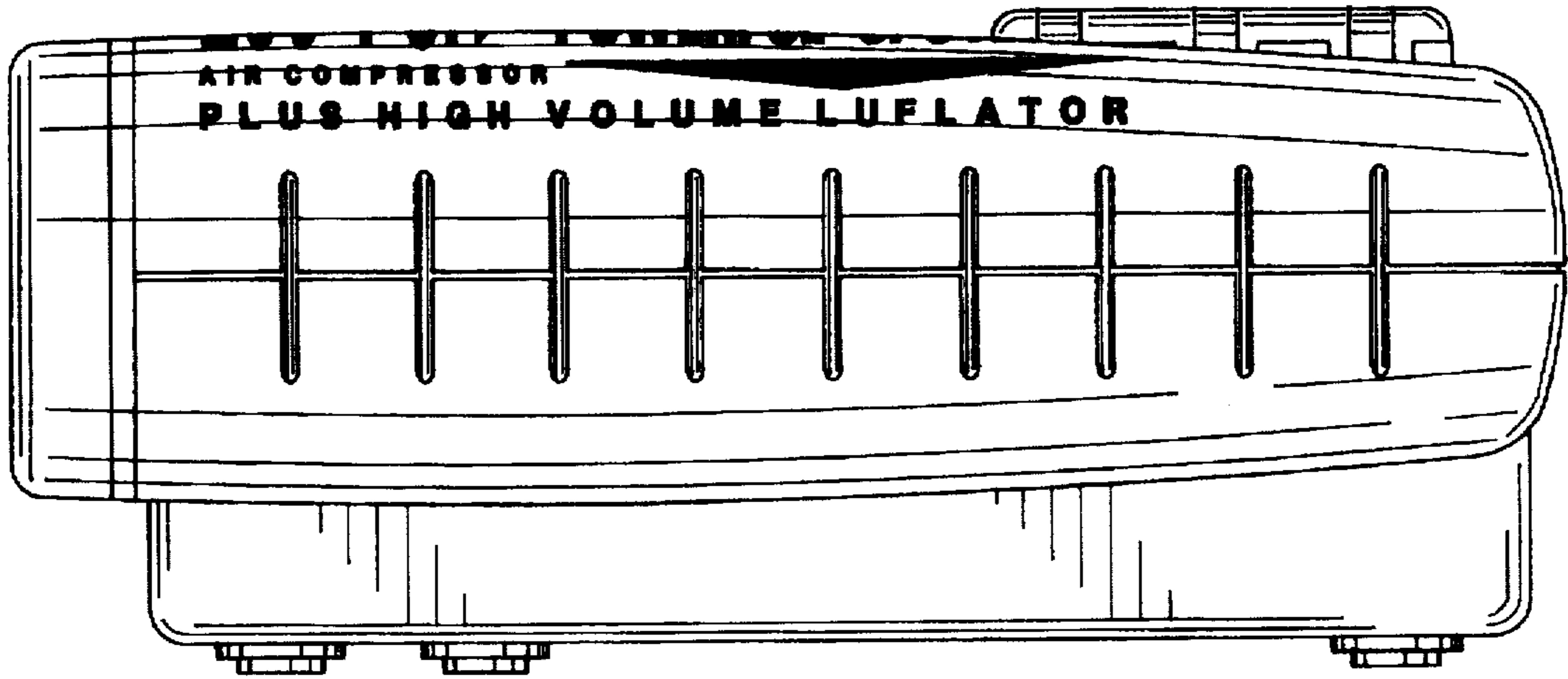


FIG. 4

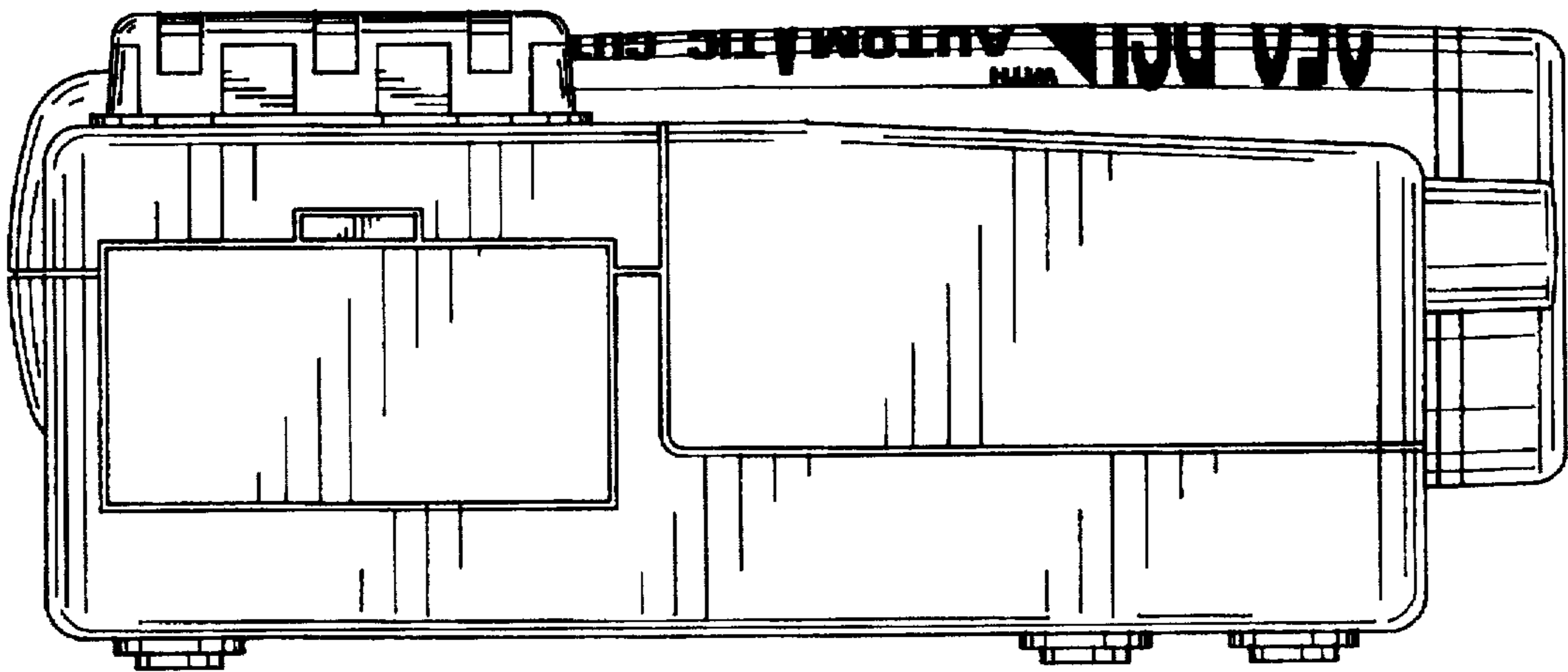


FIG. 5

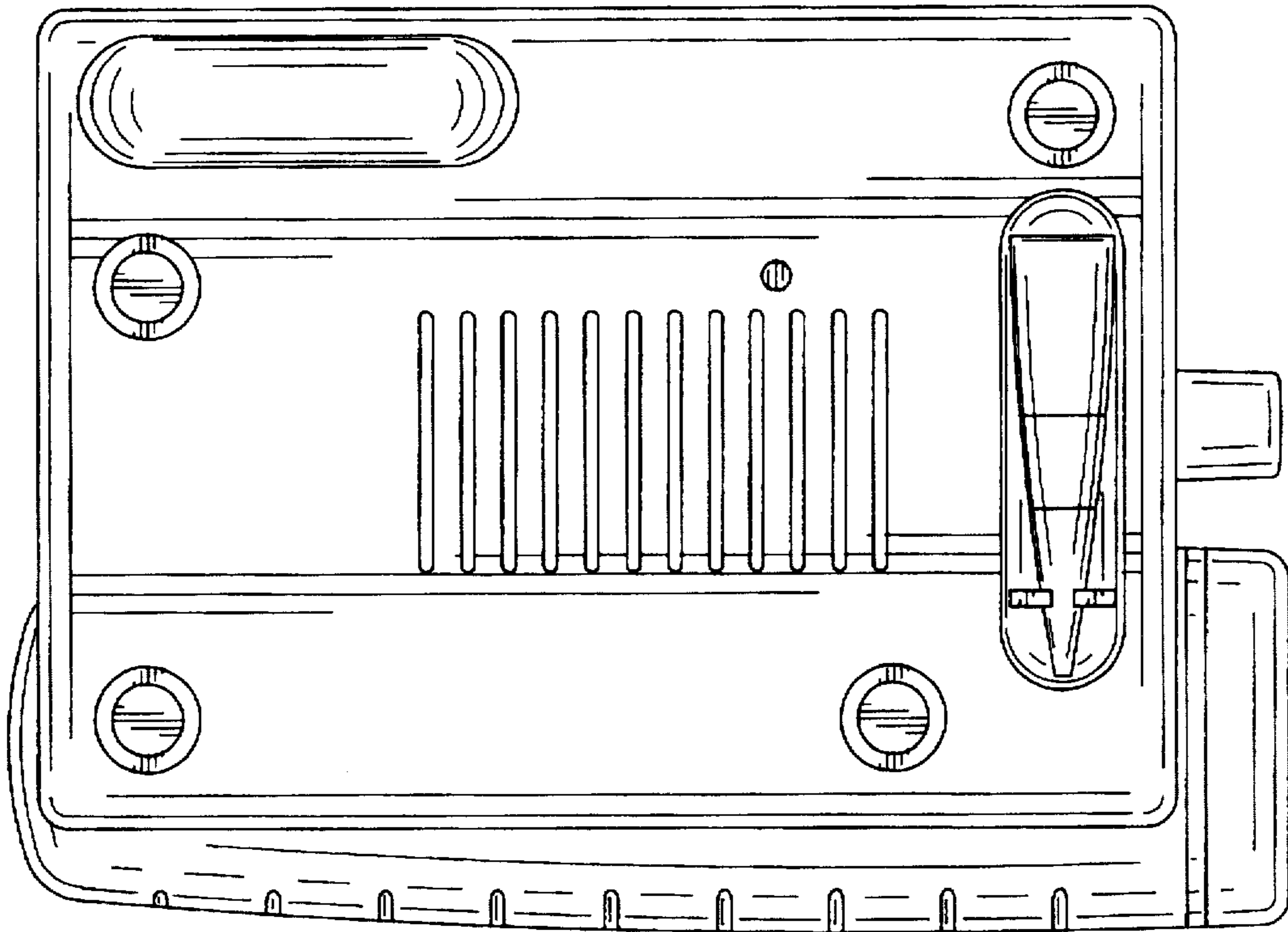


FIG. 6

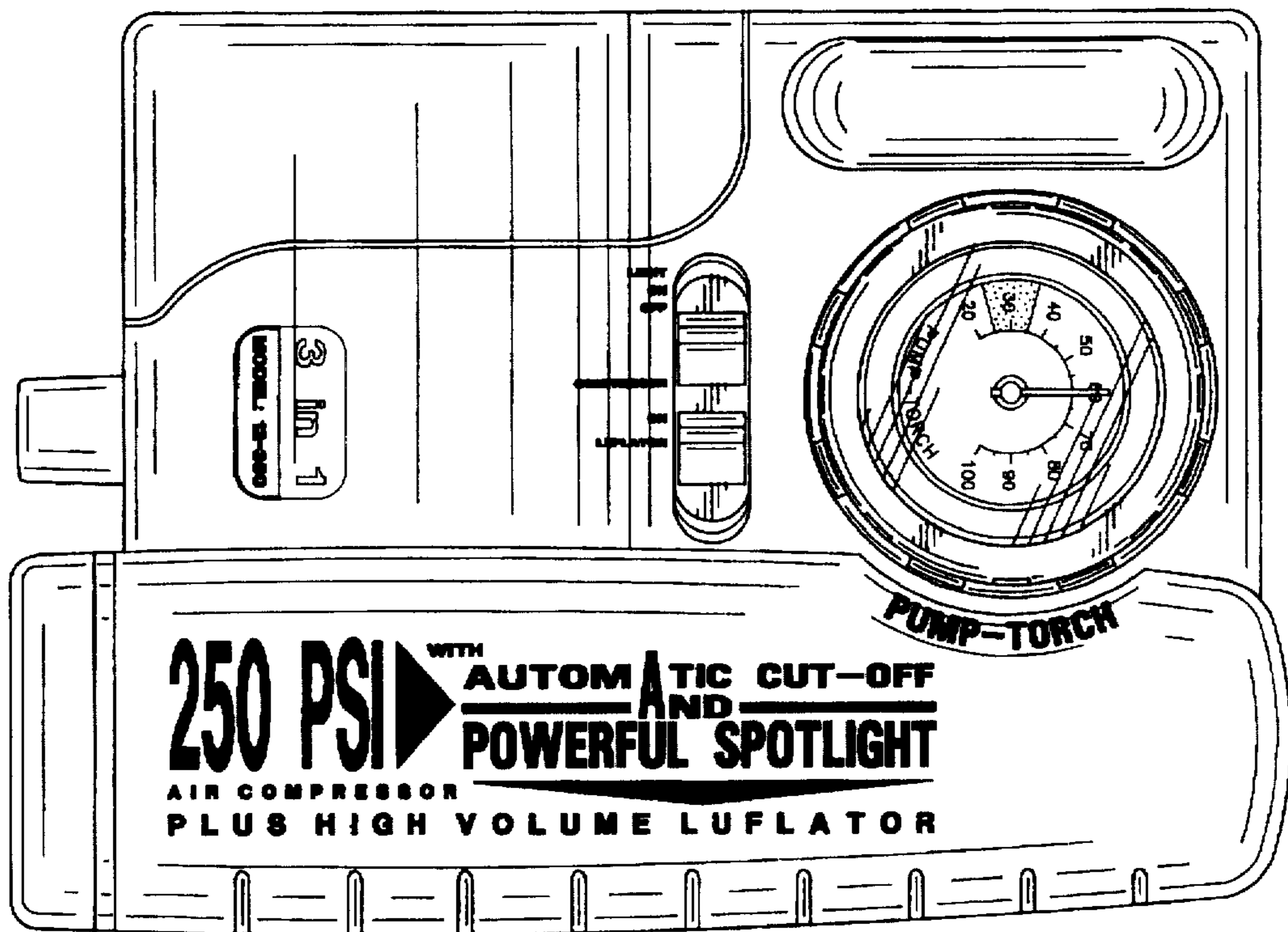


FIG. 7