

US00D388797S

United States Patent [19]

Conti et al.

[11] Patent Number: **Des. 388,797**

[45] Date of Patent: ****Jan. 6, 1998**

[54] **DIAPHRAGM PUMP**

[75] Inventors: **Michael Conti; Gerald M. Distel**, both of Bryan, Ohio

[73] Assignee: **Ingersoll-Rand Company**, Woodcliff Lake, N.J.

[**] Term: **14 Years**

[21] Appl. No.: **63,290**

[22] Filed: **Dec. 4, 1996**

[51] LOC (6) Cl. **15-02**

[52] U.S. Cl. **D15/7**

[58] Field of Search D15/7-9; 417/393-397, 417/454; 92/98 R, 123; 418/70; 103/150

[56] **References Cited**

U.S. PATENT DOCUMENTS

D. 229,236	11/1973	Doolin	D15/7
D. 243,796	3/1977	Pareja	D15/7
D. 268,413	3/1983	Wilden	D15/7
D. 270,640	9/1983	Hollander	D15/7
D. 275,858	10/1984	Wilden	D15/7
D. 291,319	8/1987	Hicks	D15/7
D. 294,946	3/1988	Wilden	D15/7
D. 294,947	3/1988	Wilden	D15/7
D. 331,412	12/1992	Wilden	D15/7

D. 370,488	6/1996	Kozumplik, Jr.	D15/7
2,679,209	5/1954	Fischer et al.	103/150
3,791,768	2/1974	Wanner	417/393

OTHER PUBLICATIONS

Aro Air Operated Diaphragm Pumps, Form 9333-P, copyright 1993.

Primary Examiner—Ralf Seifert
Attorney, Agent, or Firm—Michael M. Gnibus

[57] **CLAIM**

The ornamental design for a diaphragm pump, as shown and described.

DESCRIPTION

FIG. 1 is a perspective view of a diaphragm pump showing our new design;

FIG. 2 is a front elevation view thereof;

FIG. 3 is a rear elevation view thereof;

FIG. 4 is a right elevation view thereof;

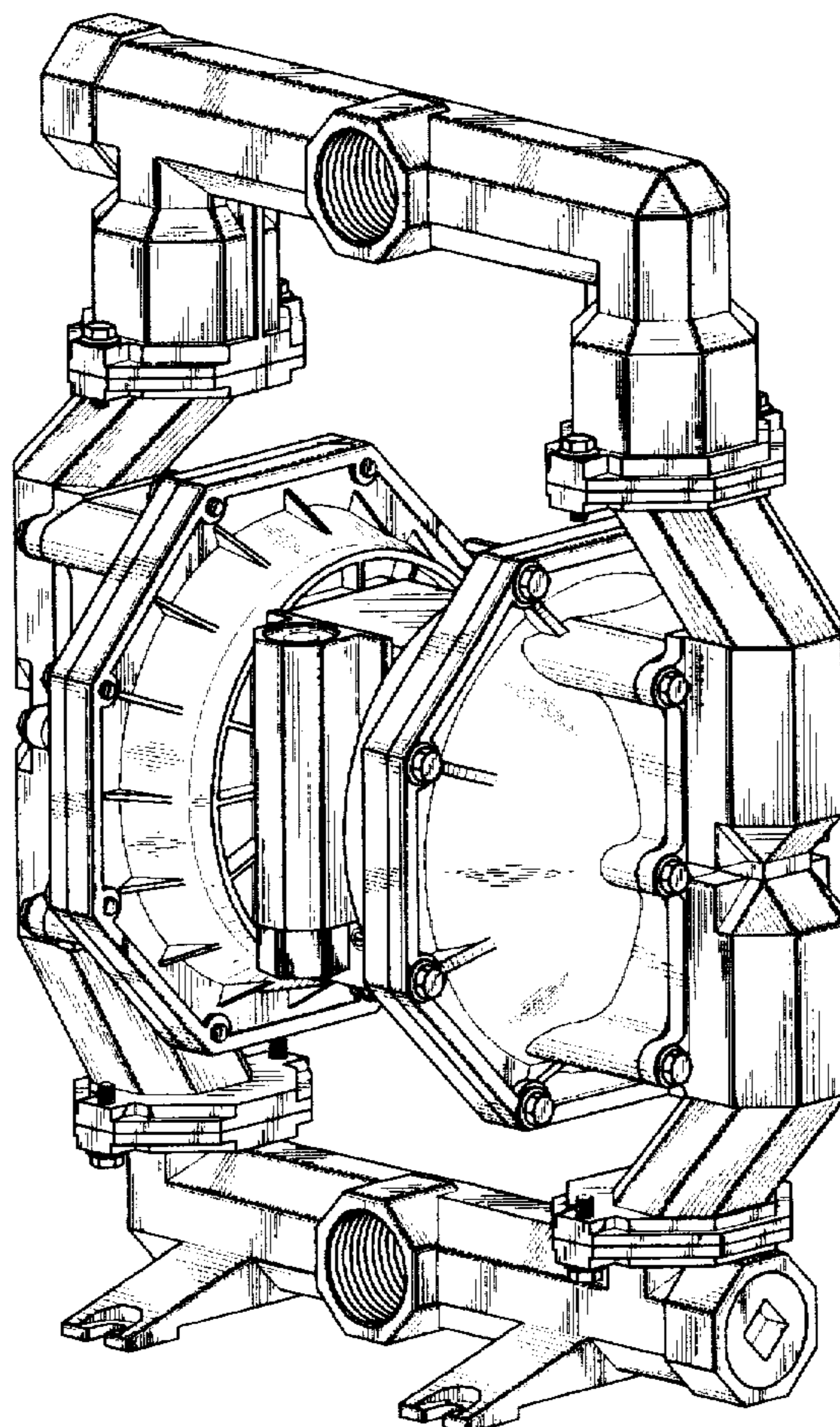
FIG. 5 is a left elevation view thereof;

FIG. 6 is a top plan view thereof; and,

FIG. 7 is a bottom plan view thereof.

The broken line showing of the ball valve cage in FIG. 5 is for illustrative purposes only and forms no part of the claimed design.

1 Claim, 7 Drawing Sheets



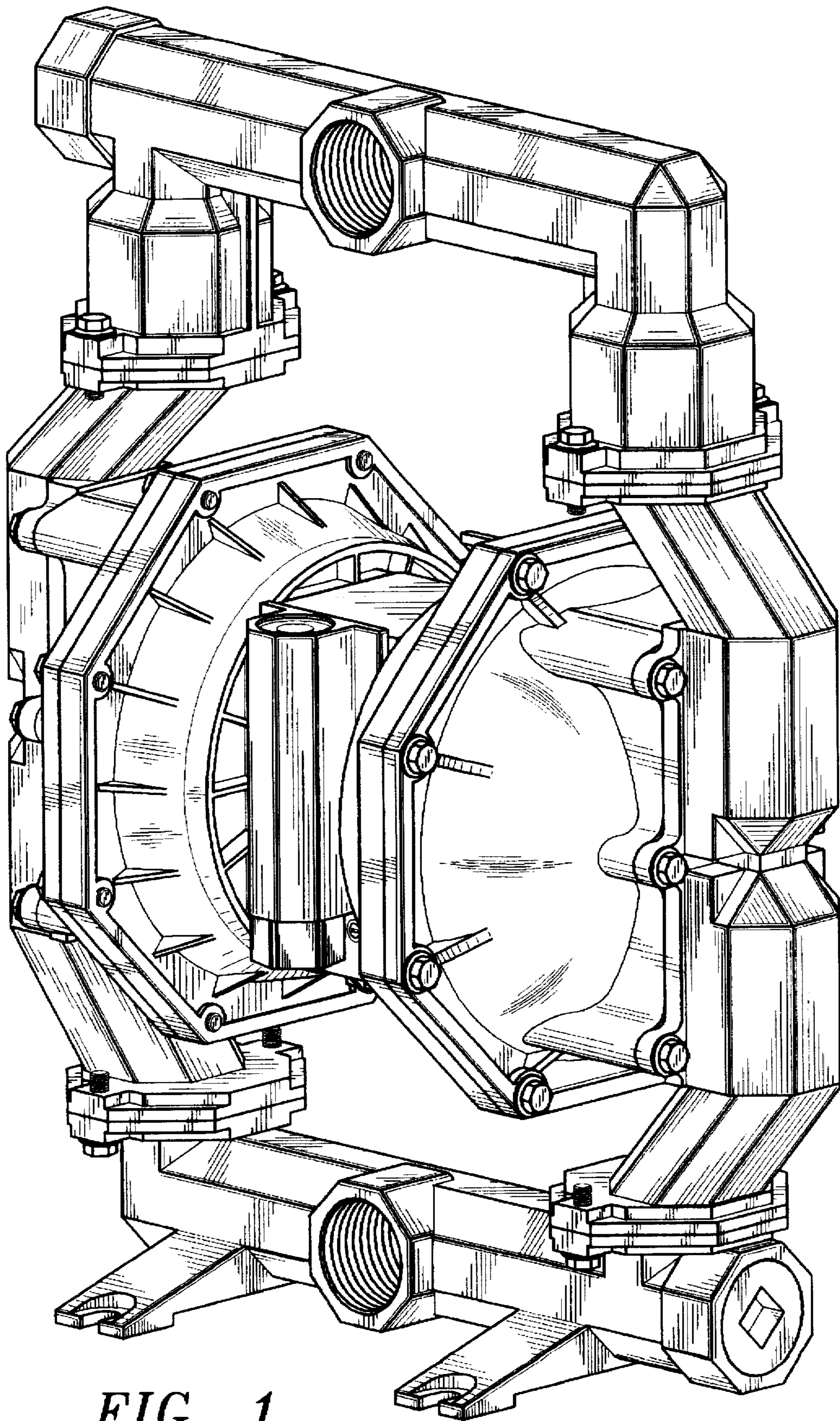


FIG. 1

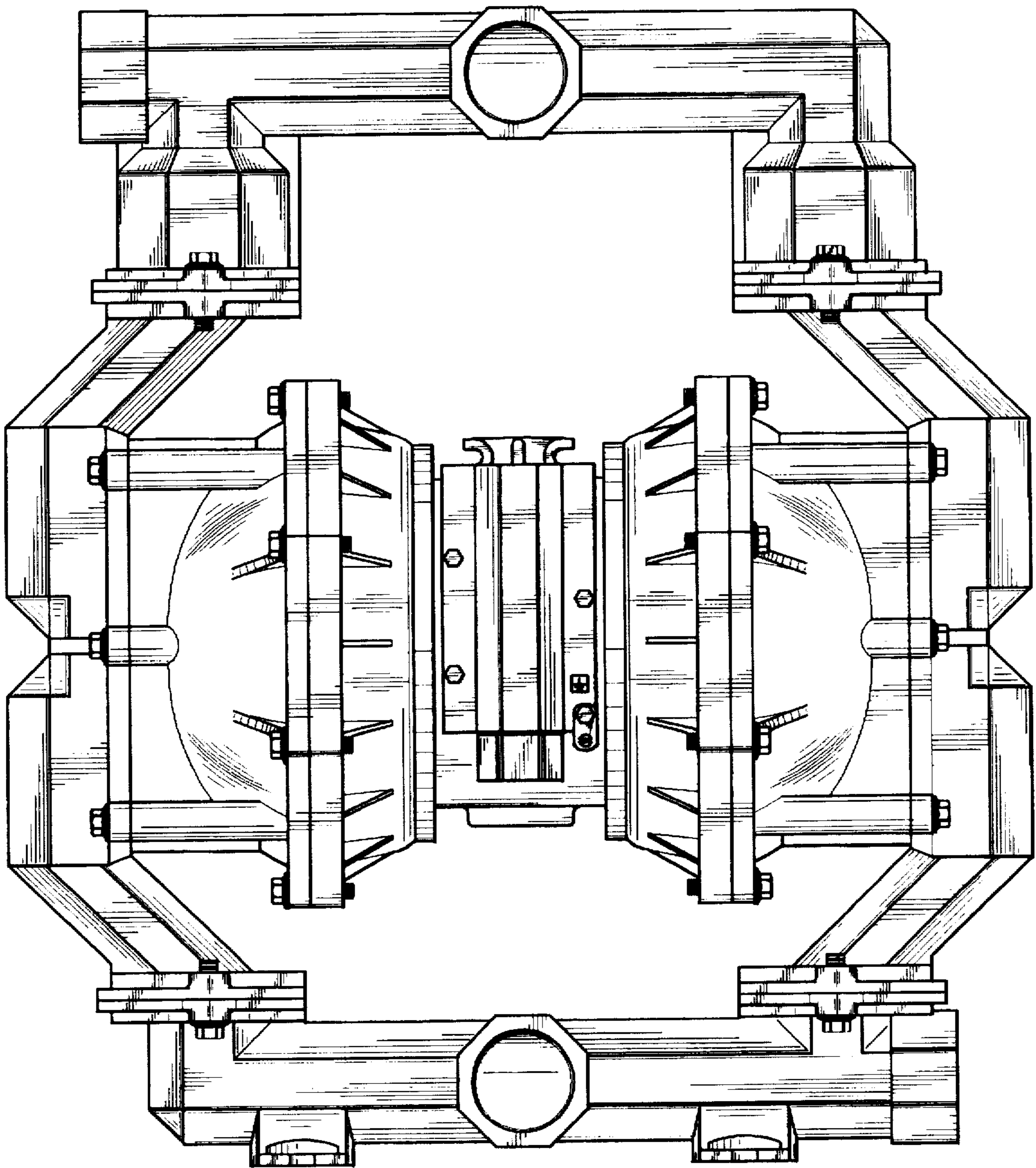


FIG. 2

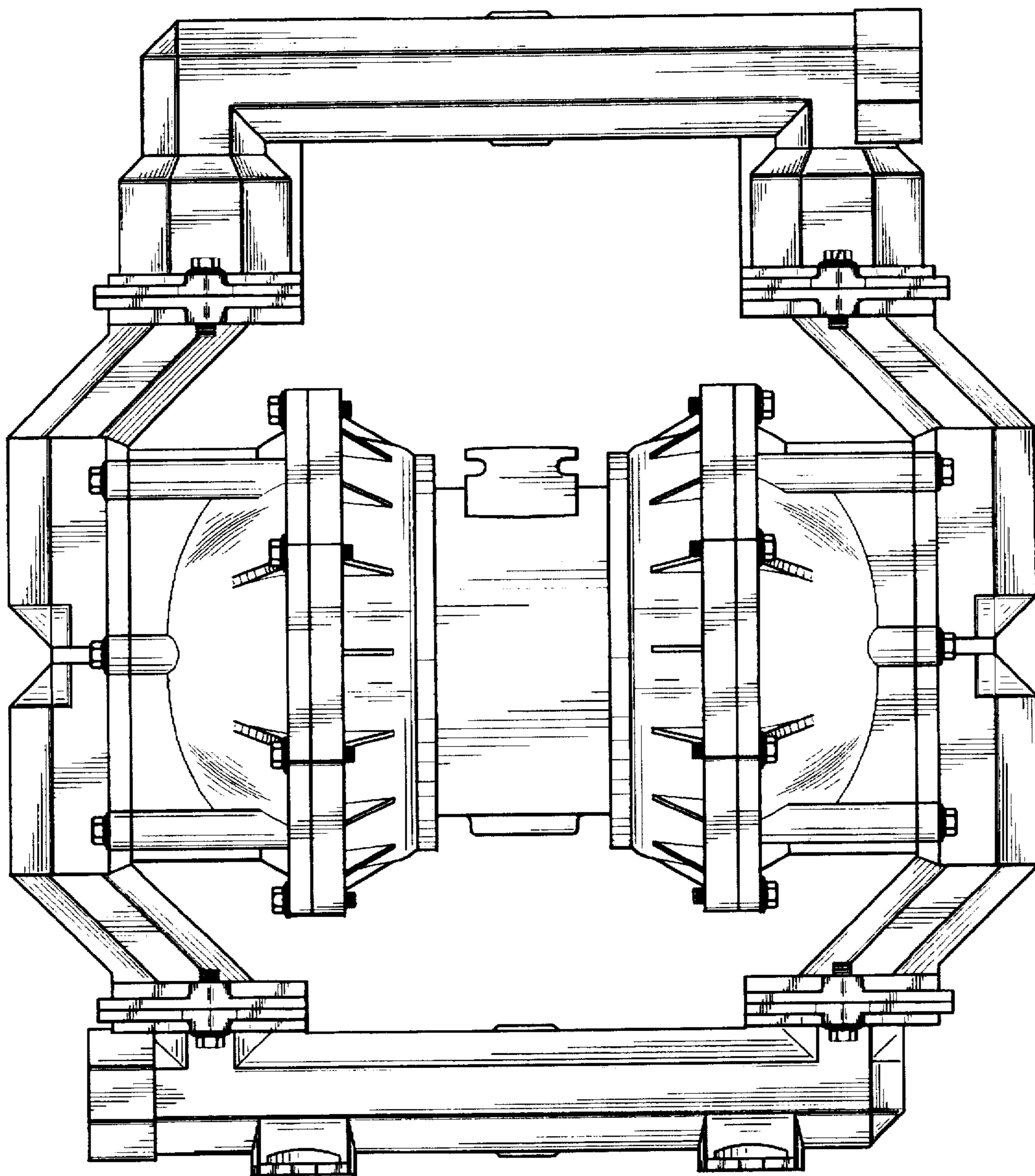


FIG. 3

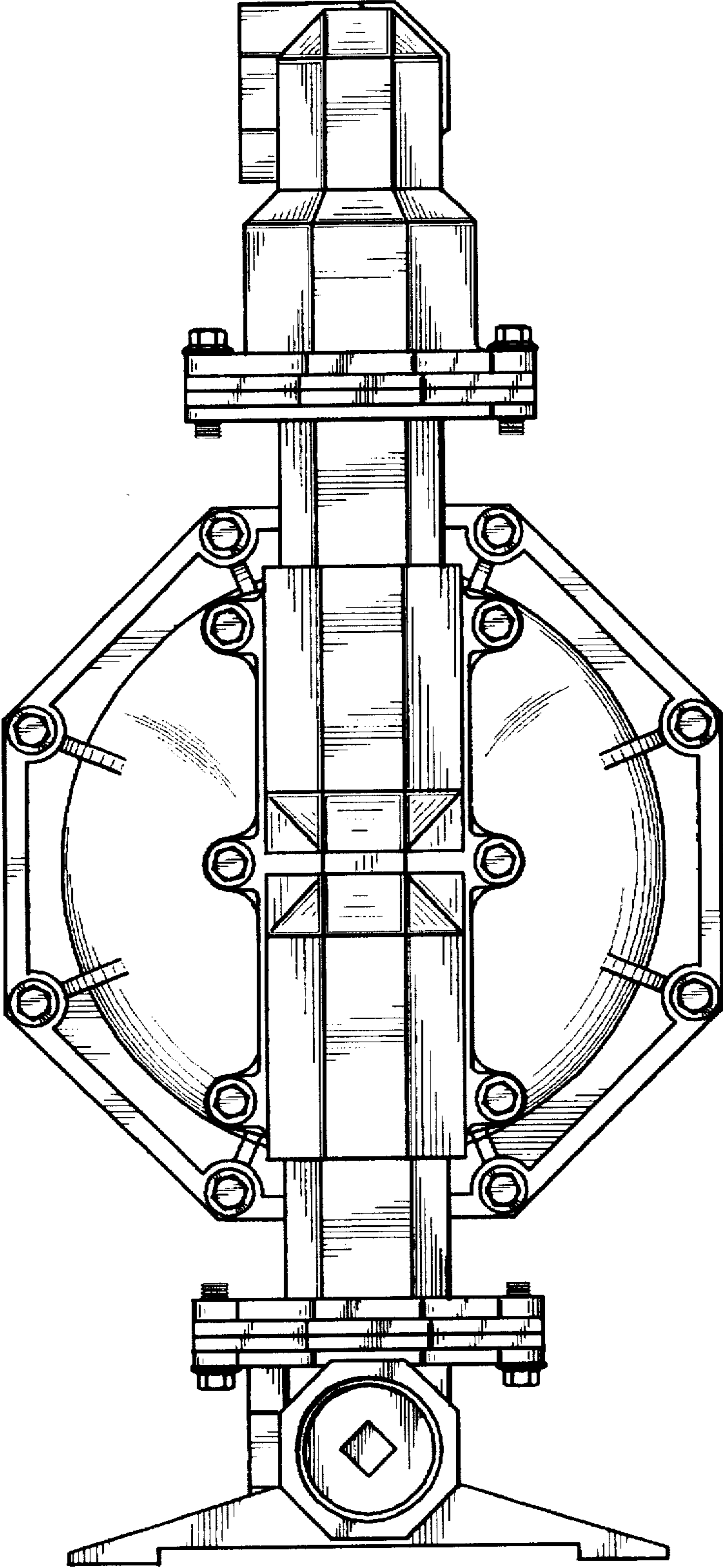


FIG. 4

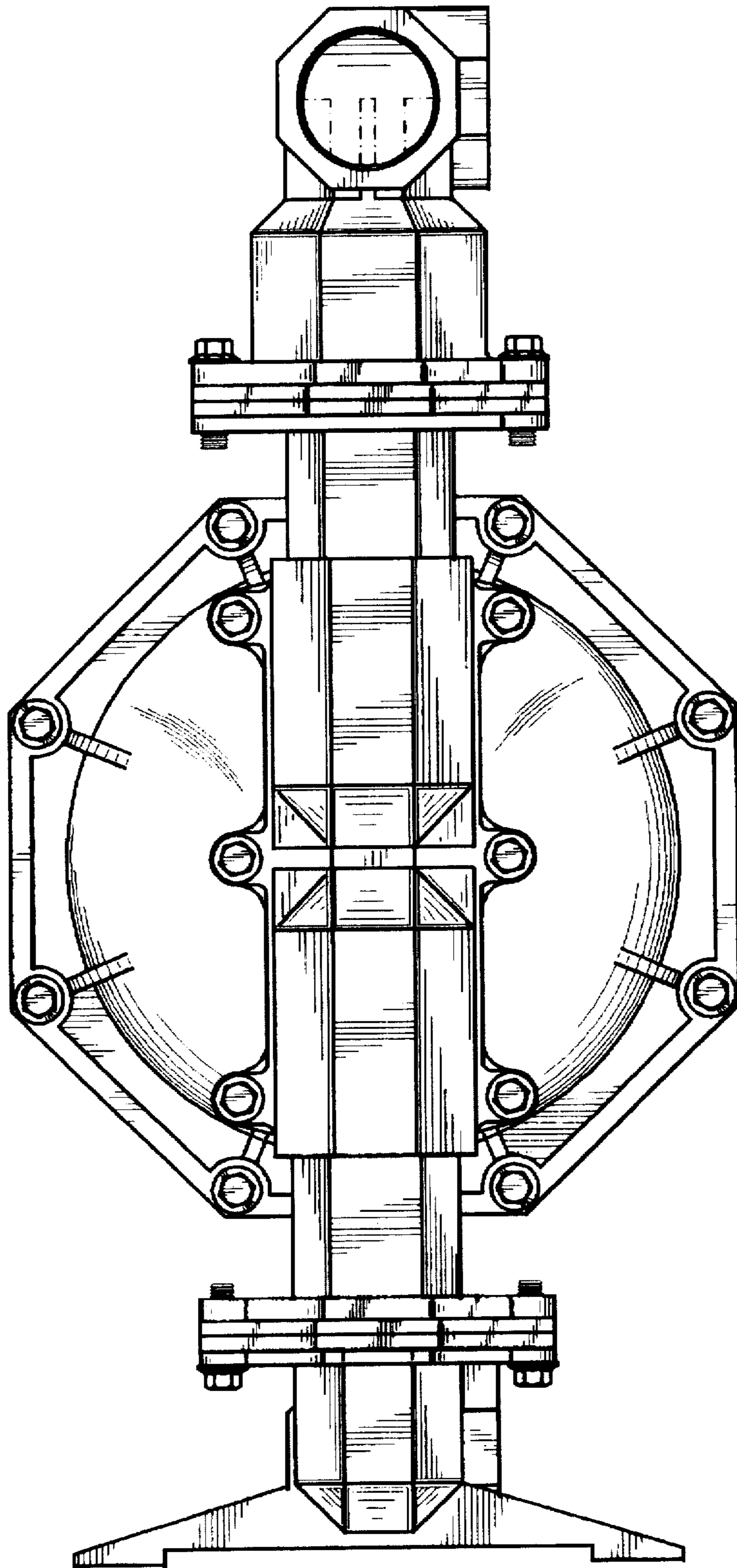


FIG. 5

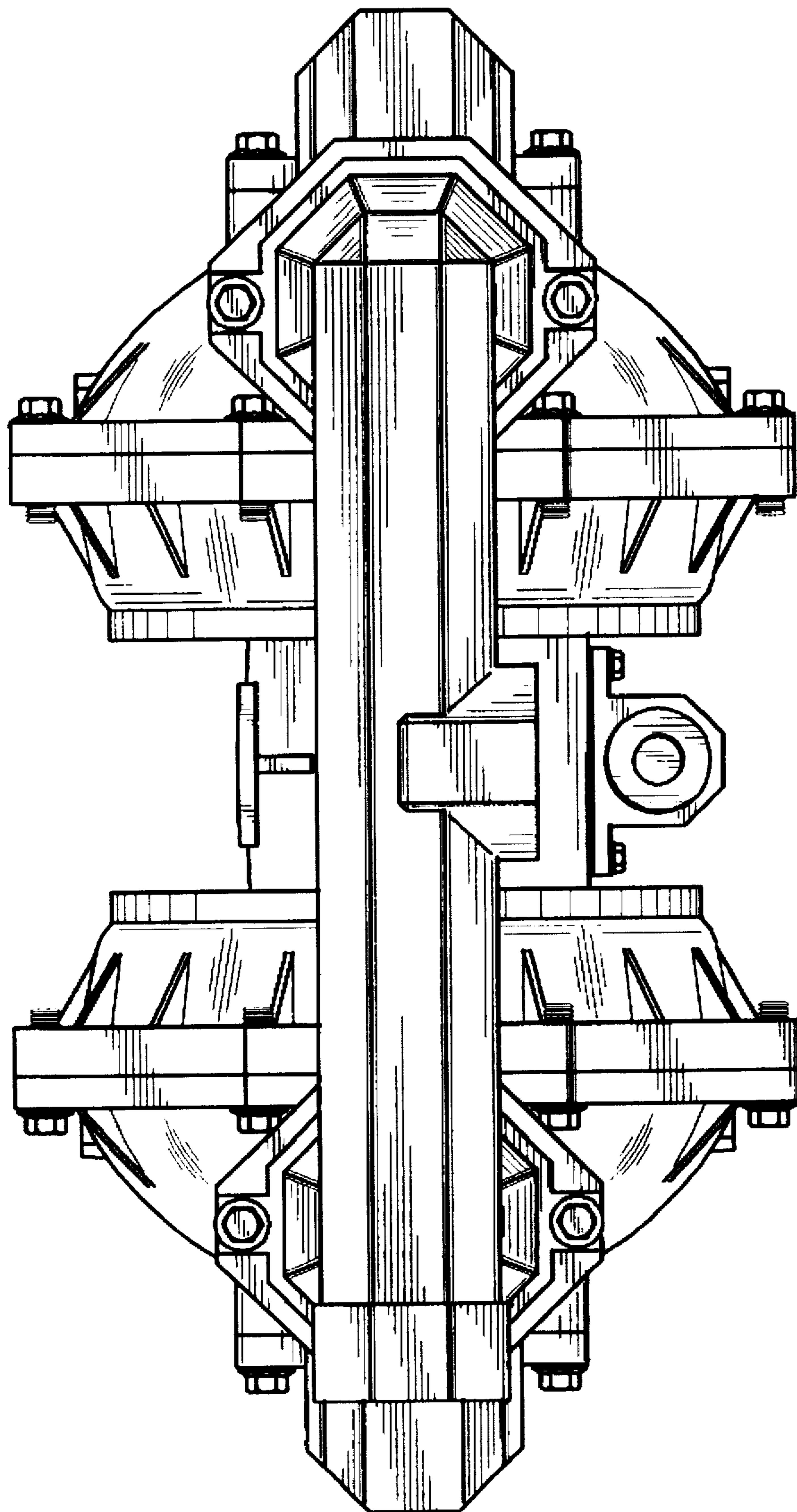


FIG. 6

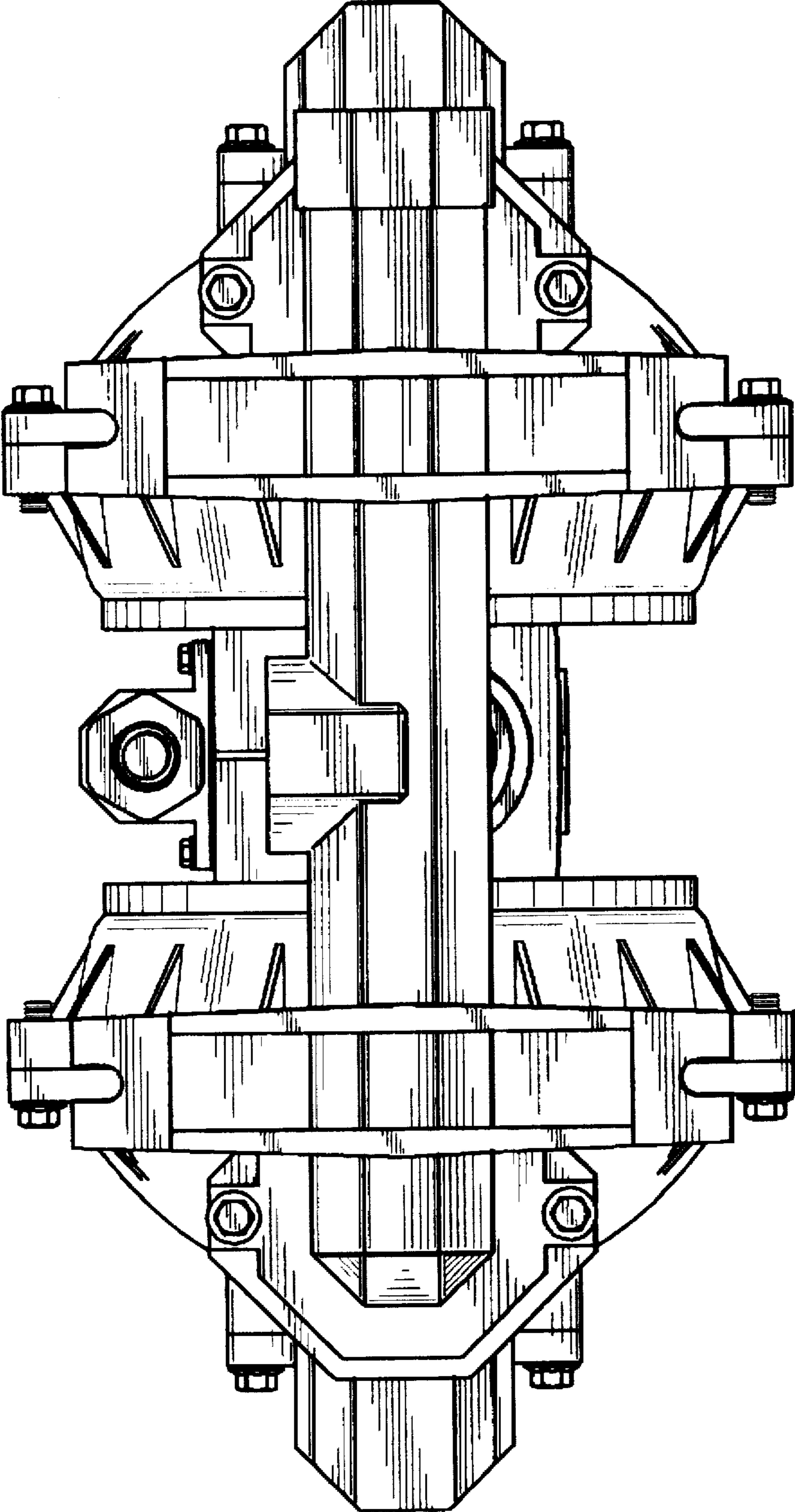


FIG. 7