



US00D388789S

United States Patent [19]

Kokkinis

[11] Patent Number: **Des. 388,789**

[45] Date of Patent: ****Jan. 6, 1998**

[54] **RADIO**

[75] Inventor: **Serge Kokkinis, Hong Kong, Hong Kong**

[73] Assignee: **Alfa Technology Ltd., Hong Kong, Hong Kong**

[**] Term: **14 Years**

[21] Appl. No.: **52,661**

[22] Filed: **Apr. 2, 1996**

[30] Foreign Application Priority Data

Jan. 18, 1996 [GB] United Kingdom 2053483

[51] LOC (6) Cl. **14-03**

[52] U.S. Cl. **D14/194; D14/196**

[58] Field of Search D14/157, 168, D14/170-171, 188, 193-198, 257, 265, 299; 455/344, 347, 350, 351

[56] References Cited

U.S. PATENT DOCUMENTS

D. 212,716 11/1968 Keenan D14/194

D. 240,452	7/1976	Taguchi et al.	D14/196
D. 252,425	7/1979	Hamada et al.	D14/194
D. 262,536	1/1982	Miyanaga et al.	D14/194
D. 276,610	12/1984	Okada et al.	D14/194
D. 277,576	2/1985	Mishiro et al.	D14/171

Primary Examiner—Sandra L. Morris
Assistant Examiner—Nanda Bondade
Attorney, Agent, or Firm—Nixon & Vanderhye

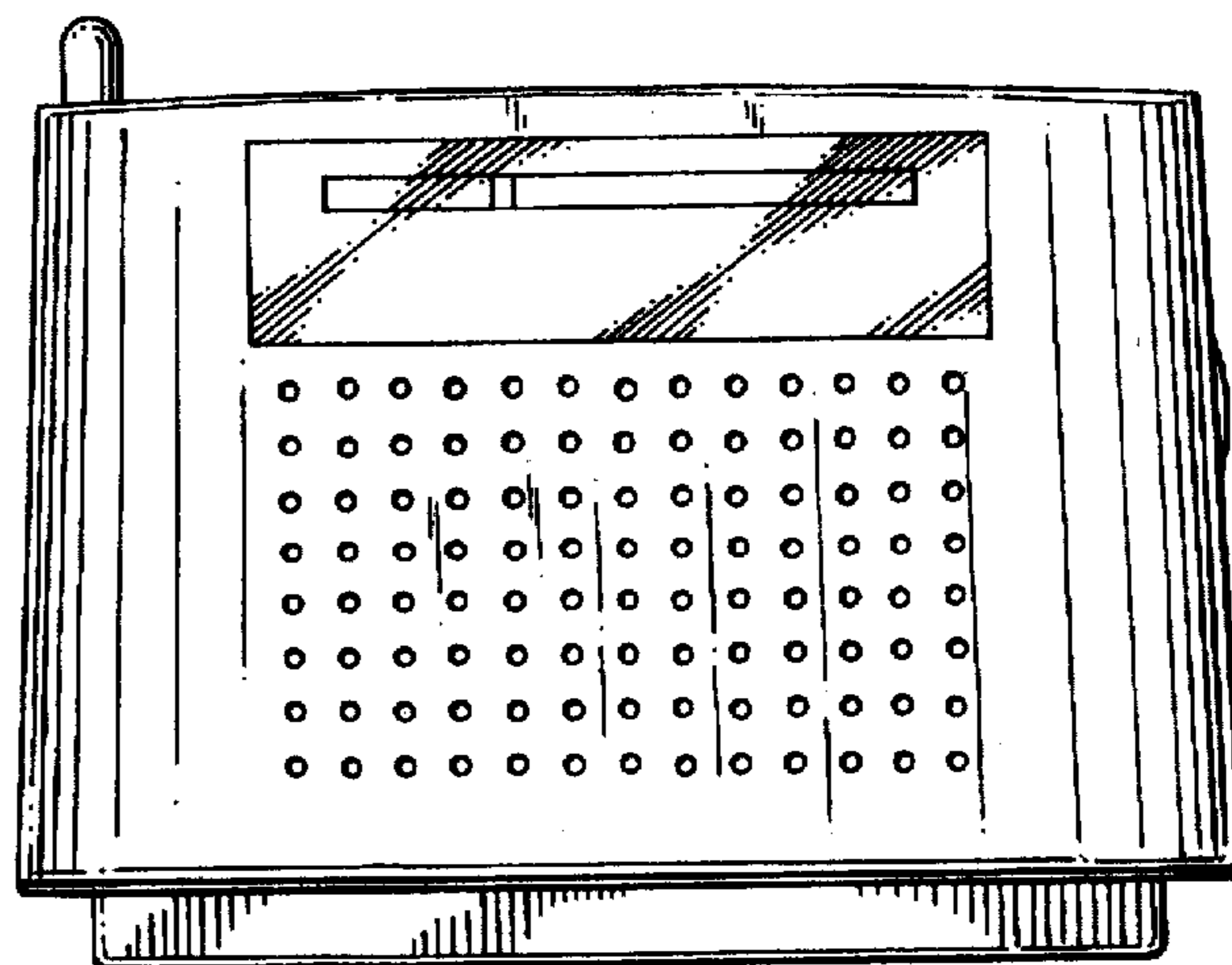
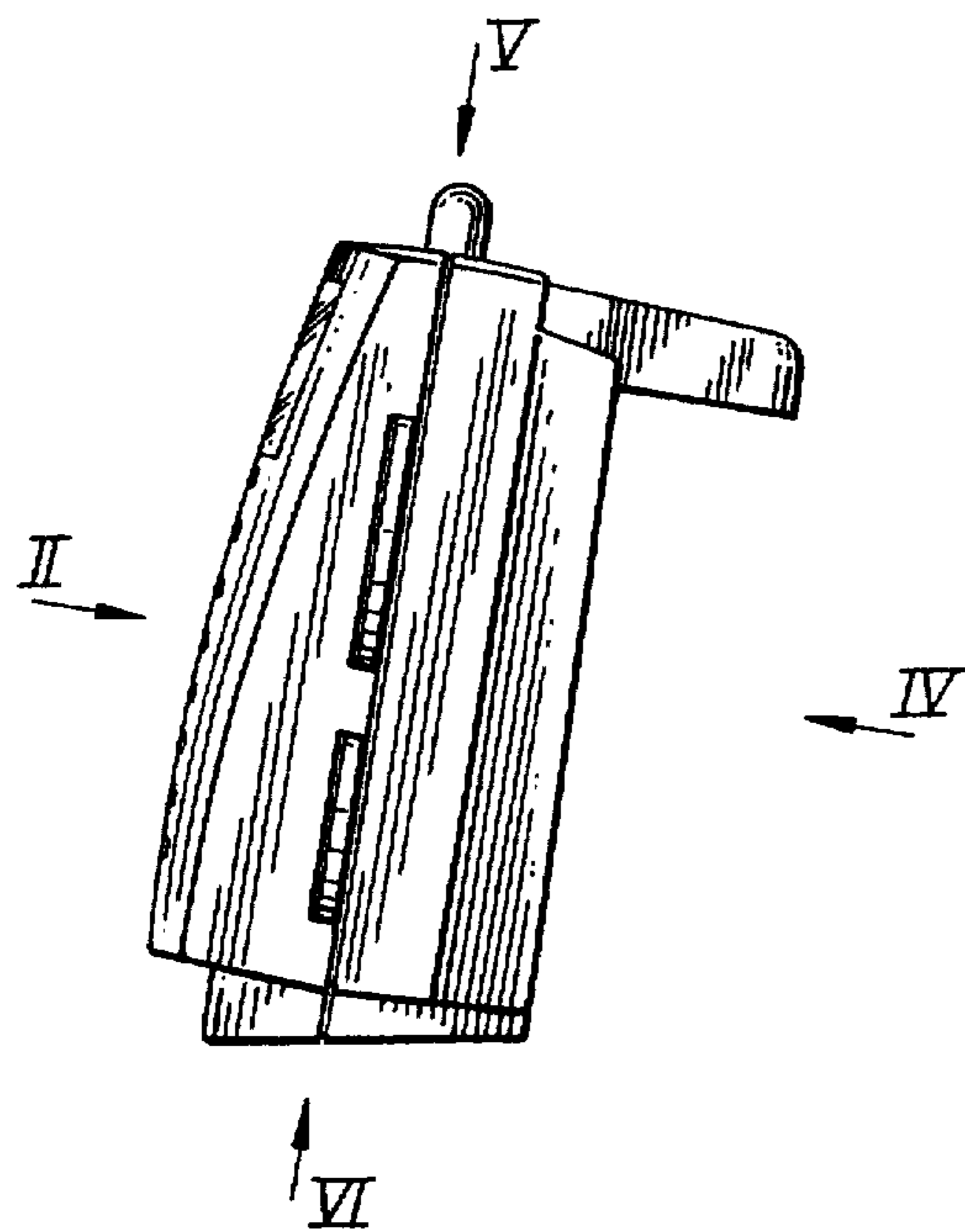
[57] CLAIM

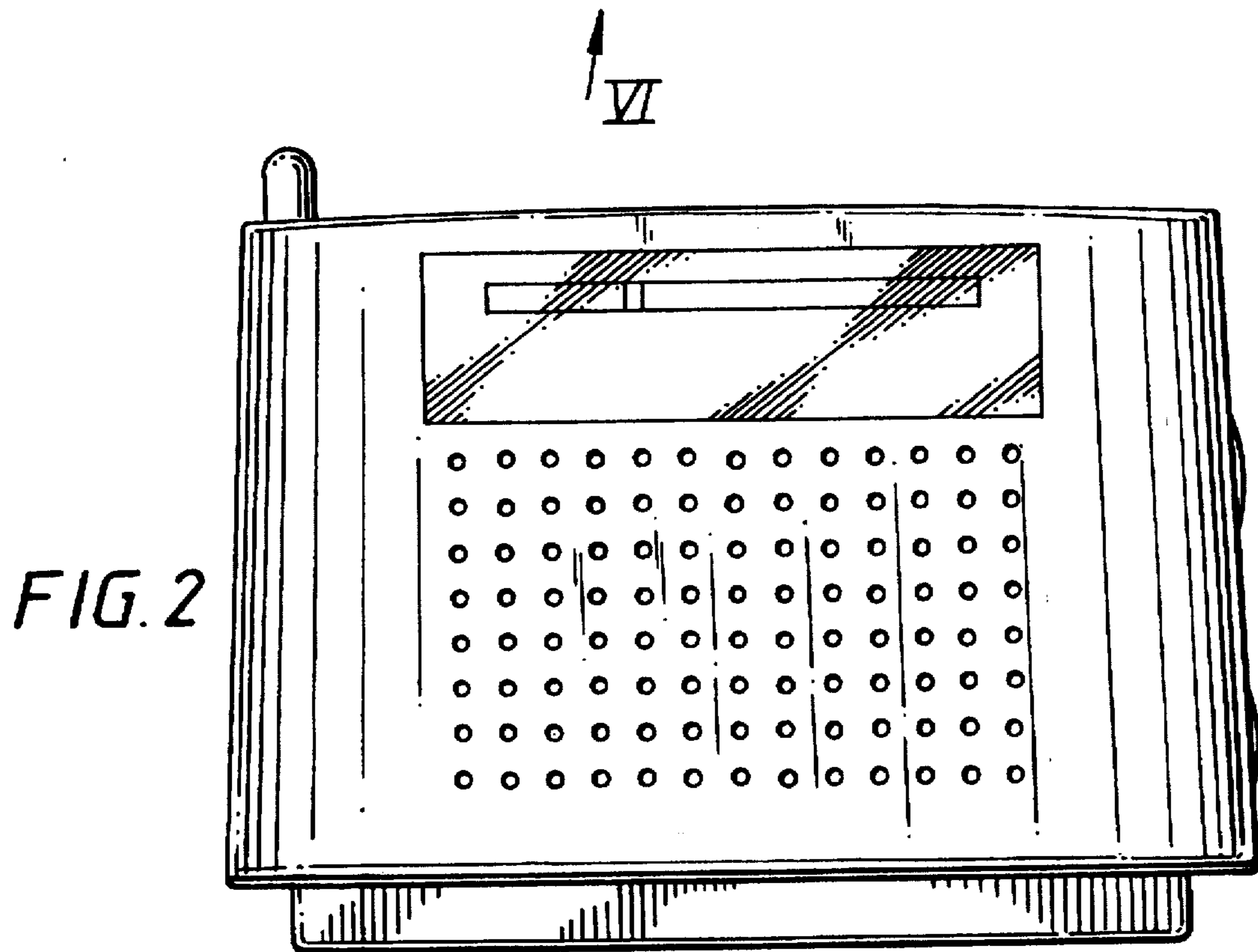
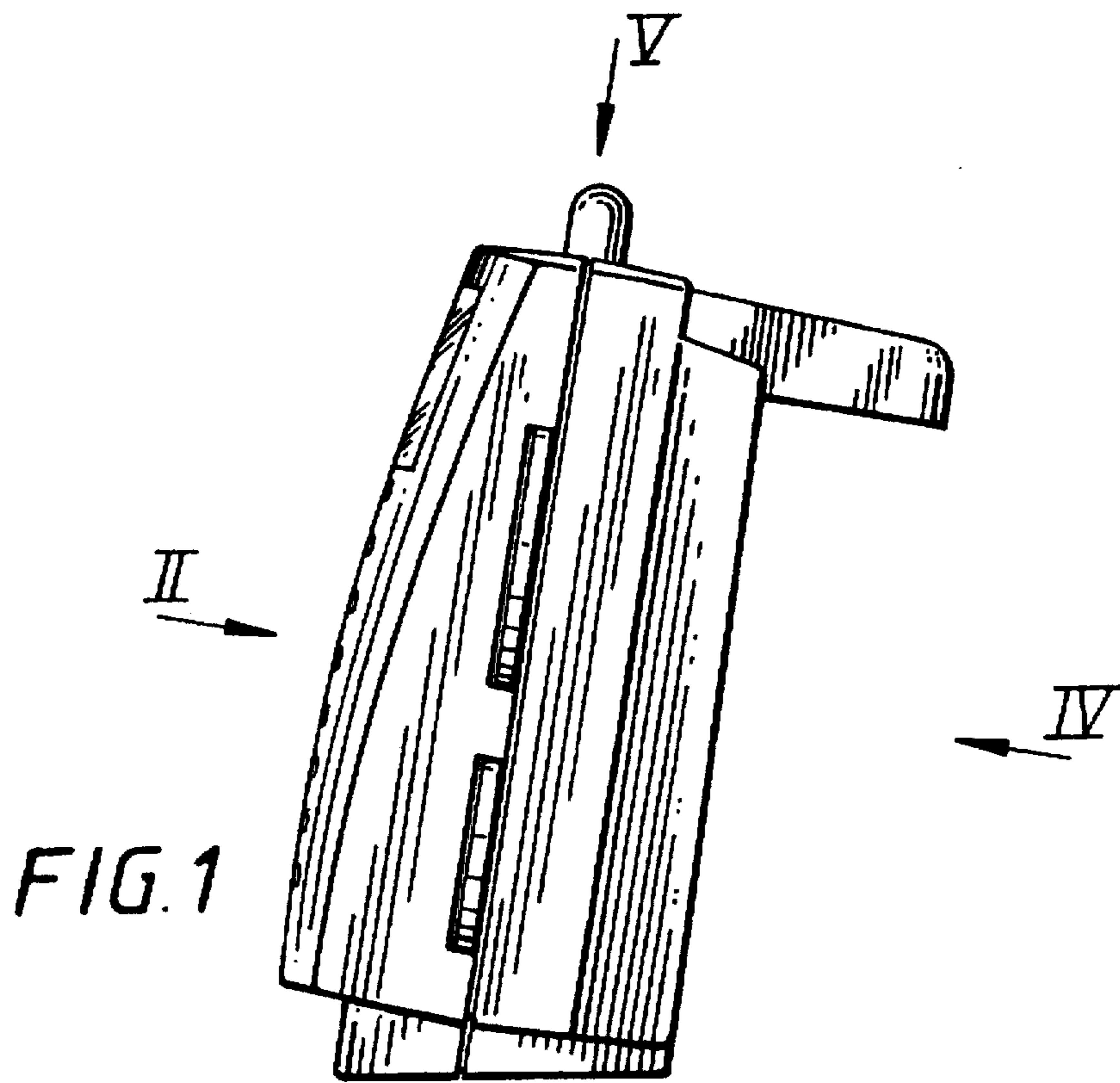
The ornamental design for a radio, as shown and described.

DESCRIPTION

FIG. 1 is a right side elevational view of a radio showing my new design;
FIG. 2 is a front elevational view thereof, taken in the direction of arrow II;
FIG. 3 is a left side elevational view thereof;
FIG. 4 is a rear elevational view thereof, taken in the direction of arrow IV;
FIG. 5 is a top plan view thereof, taken in the direction of arrow V; and,
FIG. 6 is a bottom plan view thereof, taken in the direction of arrow VI.

1 Claim, 3 Drawing Sheets





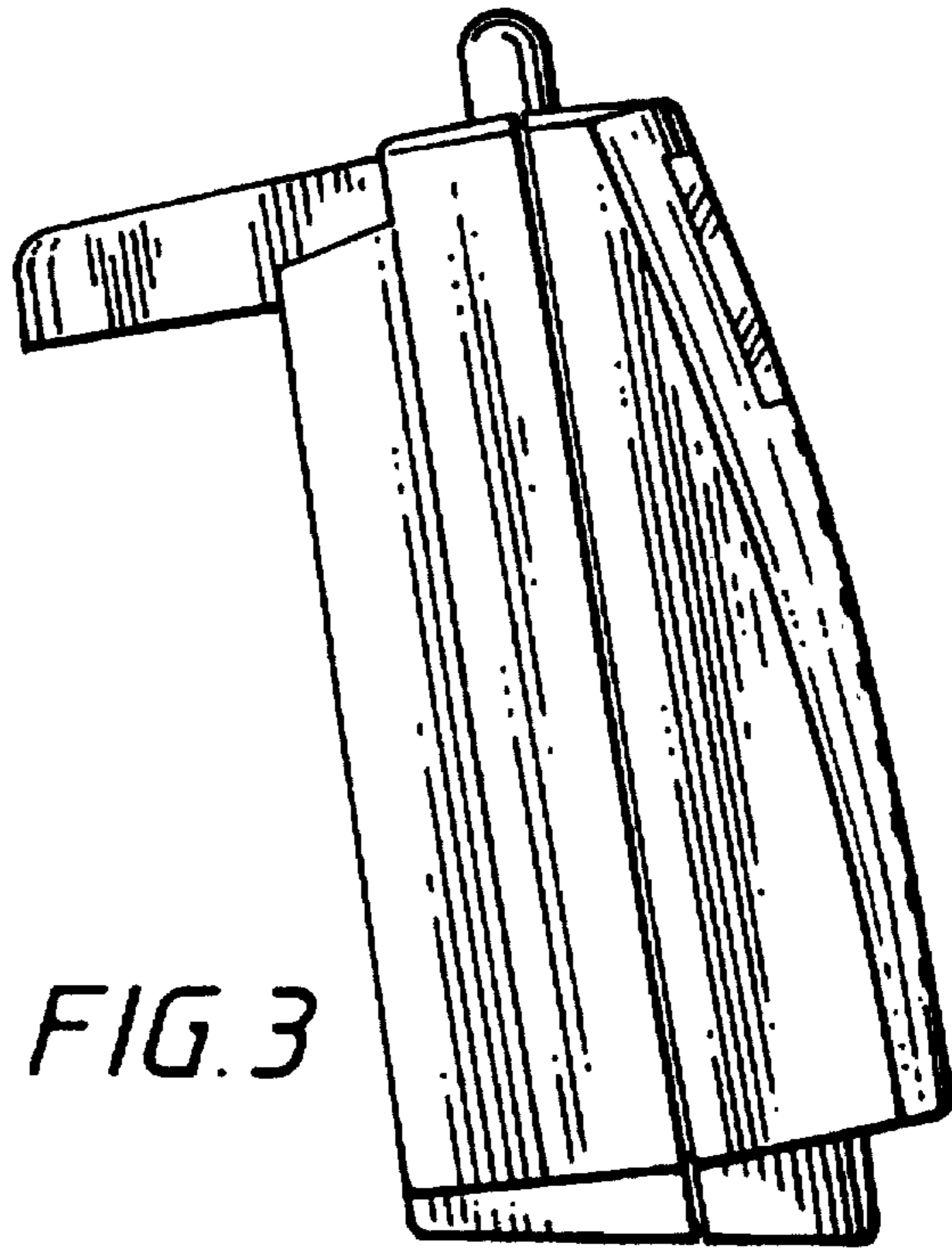


FIG. 3

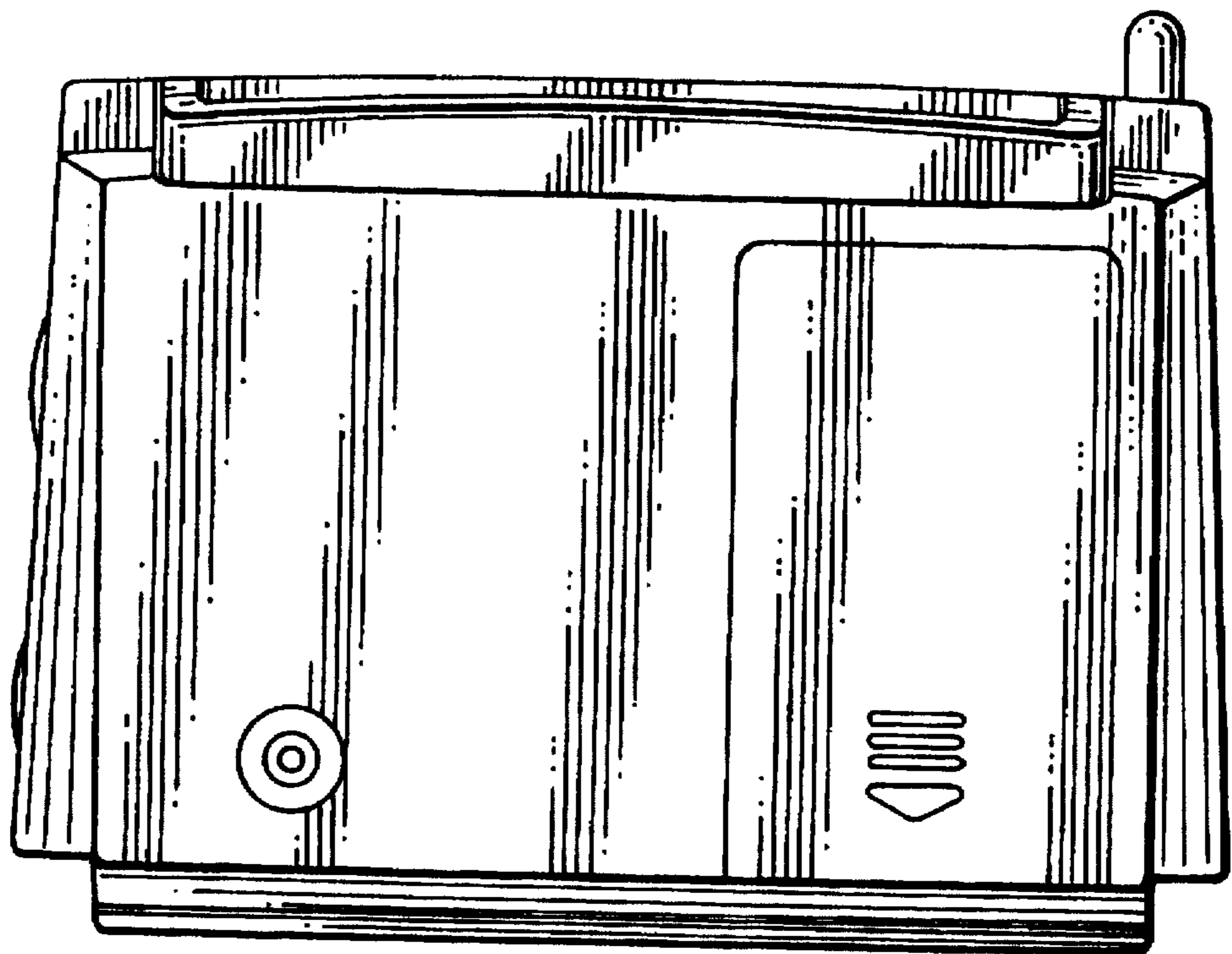


FIG. 4

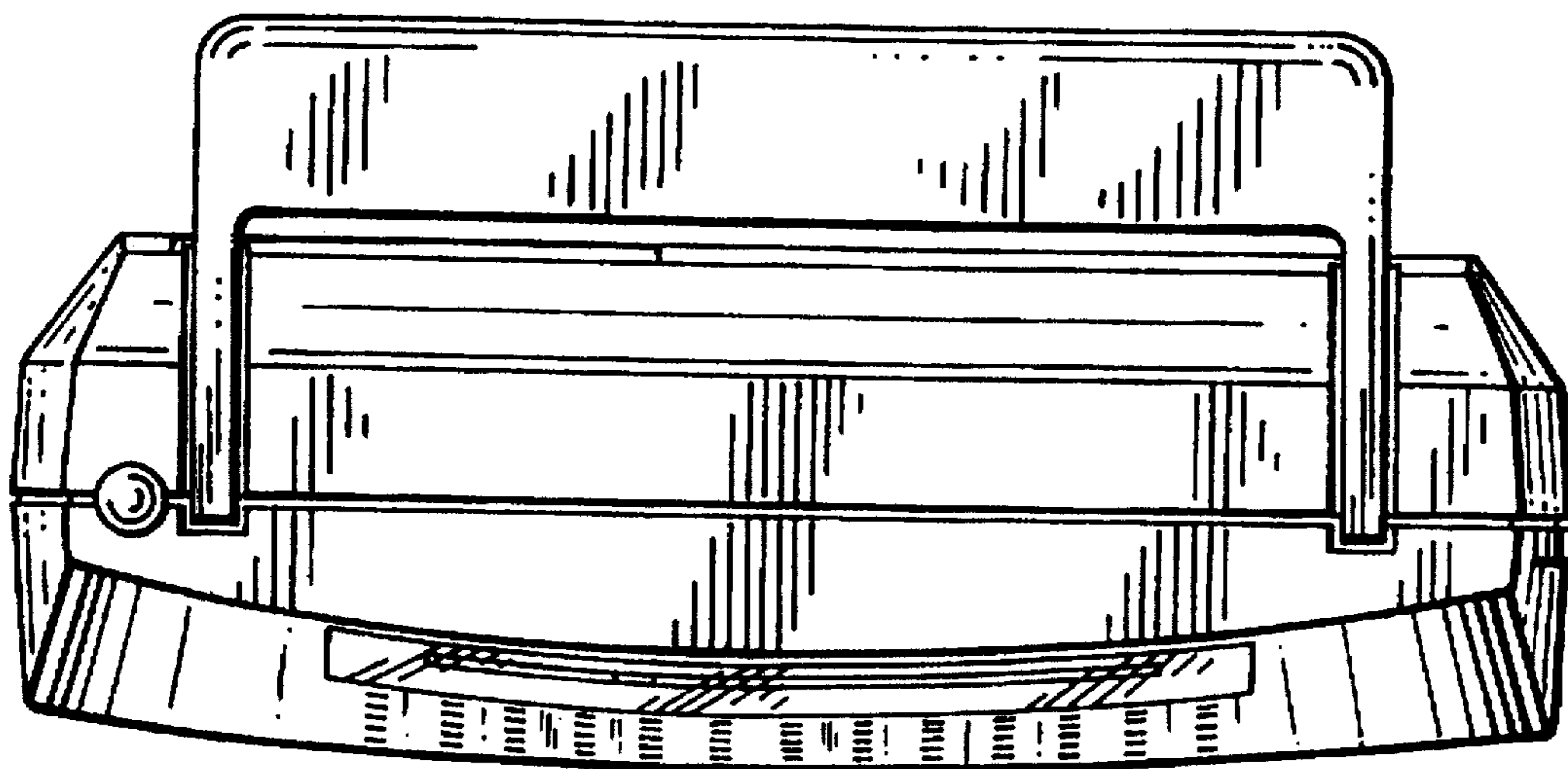


FIG. 5

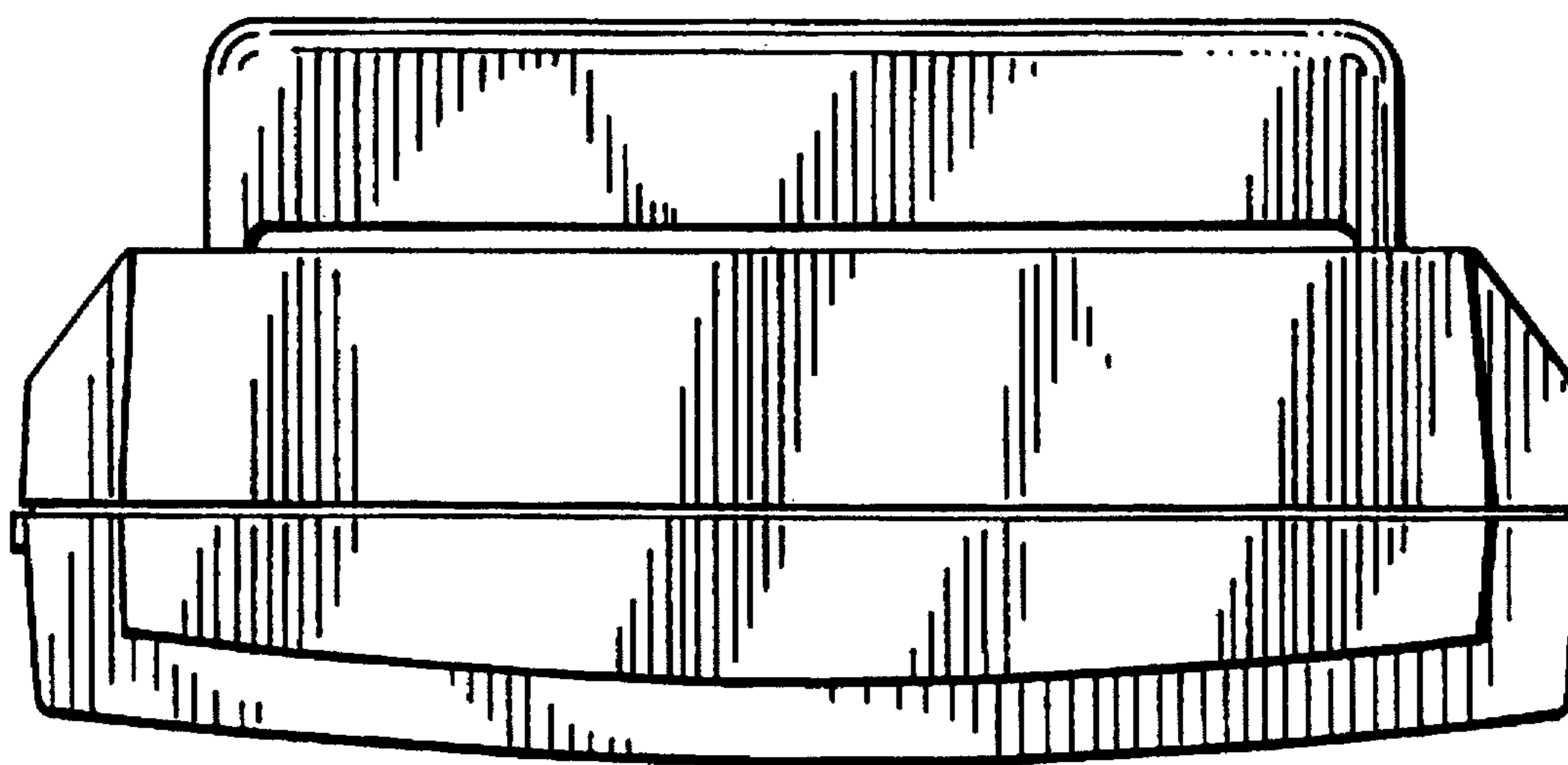


FIG. 6