



US00D388785S

United States Patent [19]
Yuen

[11] **Patent Number:** **Des. 388,785**
[45] **Date of Patent:** ****Jan. 6, 1998**

[54] **COMBINED RADIO, LANTERN, LCD
CLOCK AND SOFT LIGHT**

D. 340,300 10/1993 Yuen D14/168 X
4,045,663 8/1977 Young 362/253 X

[75] **Inventor:** **John Se-Kit Yuen, Kowloon, Hong
Kong**

FOREIGN PATENT DOCUMENTS

2017719 4/1992 United Kingdom .
2039449 9/1994 United Kingdom .
2045979 7/1995 United Kingdom .

[73] **Assignee:** **John Manufacturing Limited,
Kowloon, Hong Kong**

OTHER PUBLICATIONS

[**] **Term:** **14 Years**

Hong Kong Enterprise, p. 191, model No. 652303, 3-in-1
AM/FM Saver Light Rdio, Feb. 1990.

[21] **Appl. No.:** **54,701**

Primary Examiner—Sandra L. Morris
Assistant Examiner—Nanda Bondade
Attorney, Agent, or Firm—Fay, Sharpe, Beall, Fagan, Minnich
& McKee

[22] **Filed:** **May 20, 1996**

Related U.S. Application Data

[63] **Continuation-in-part of Ser. No. 46,476, Nov. 15, 1995,
abandoned.**

[57] **CLAIM**

The ornamental design for a combined radio, lantern, LCD
clock and soft light, as shown and described.

[30] **Foreign Application Priority Data**

Nov. 23, 1995 [GB] United Kingdom 2052204

DESCRIPTION

[51] **LOC (6) Cl.** **14-01**

[52] **U.S. Cl.** **D14/168; D26/38; D14/171**

[58] **Field of Search** **D14/125, 168,
D14/170-172, 188-198; D26/37, 38, 46,
48-52; 362/157-158, 200-201, 253; 455/344,
350, 351**

FIG. 1 is a top plan view of a combined radio, lantern, LCD
clock and soft light showing my new design;
FIG. 2 is a right side elevational view thereof;
FIG. 3 is a bottom plan view thereof;
FIG. 4 is a front elevational view thereof;
FIG. 5 is an rear elevational view thereof;
FIG. 6 is a left side view thereof;
FIG. 7 is a right side view showing a handle in an alternative
position; and,
FIG. 8 is a front elevational view showing a door to the
cassette player in an alternative position.

[56] **References Cited**

U.S. PATENT DOCUMENTS

D. 280,442 9/1985 Ohashi D26/38
D. 309,437 7/1990 Ng D26/38 X
D. 321,263 10/1991 Yuen D26/38

1 Claim, 3 Drawing Sheets

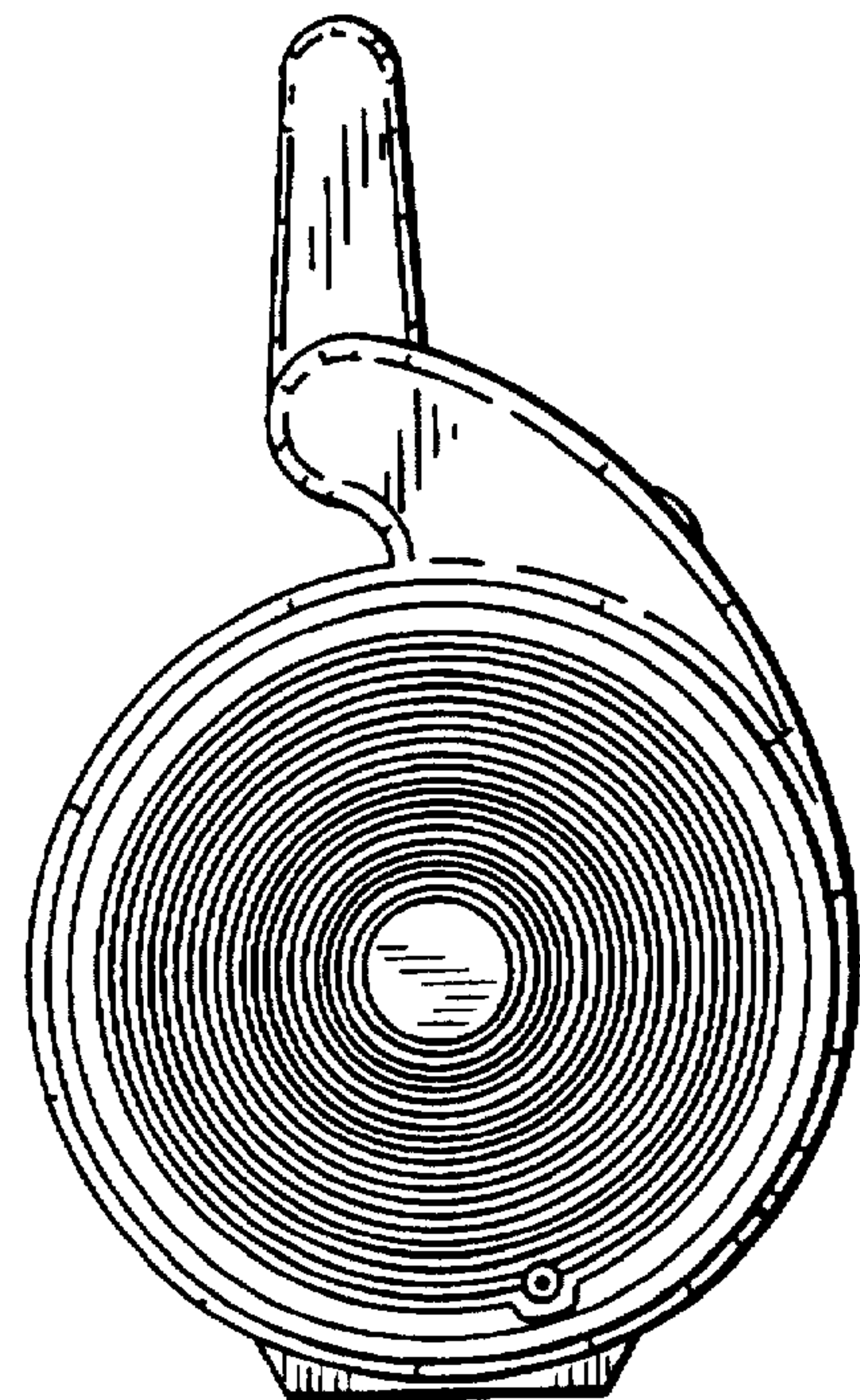
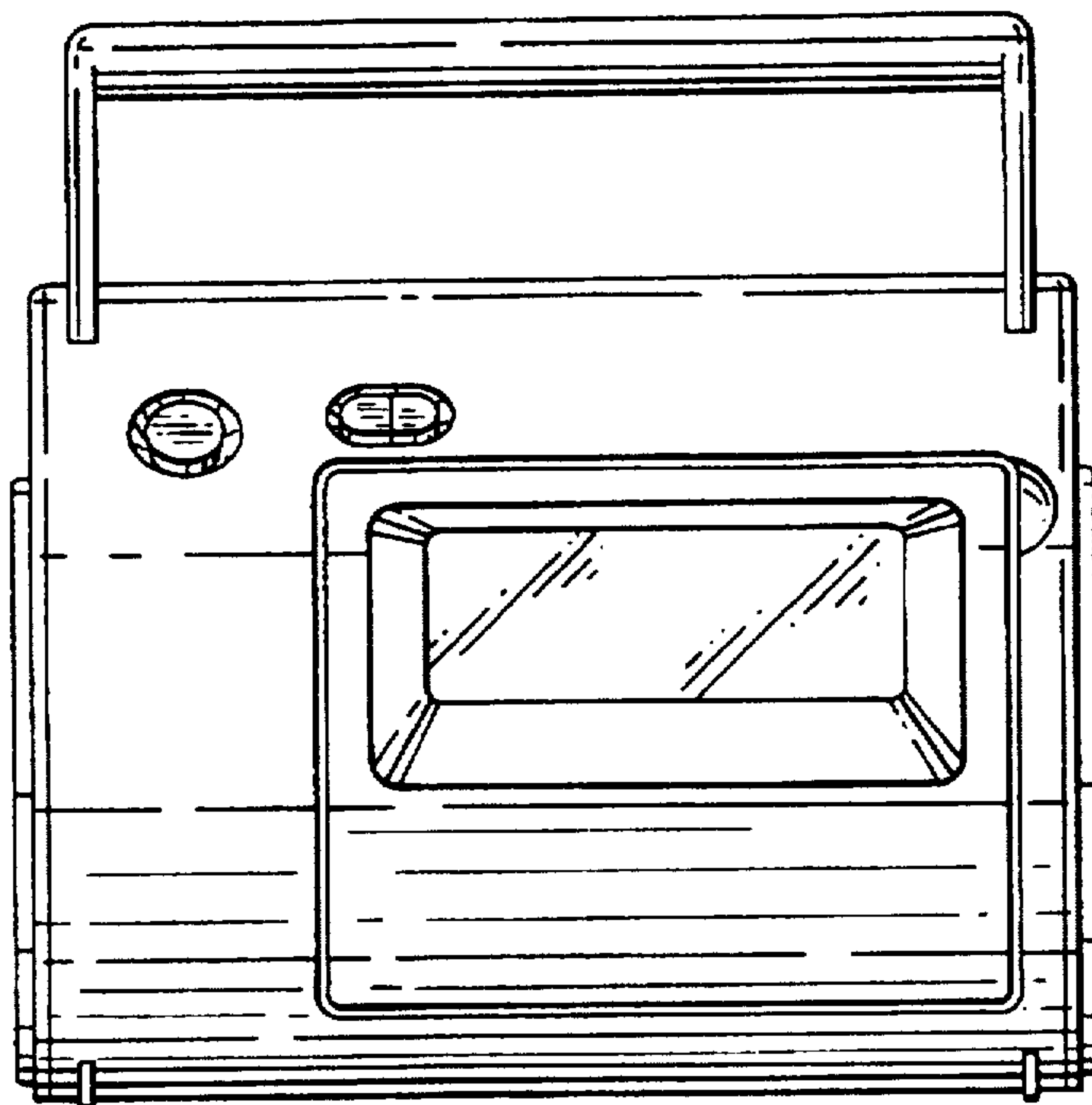


FIG. 1

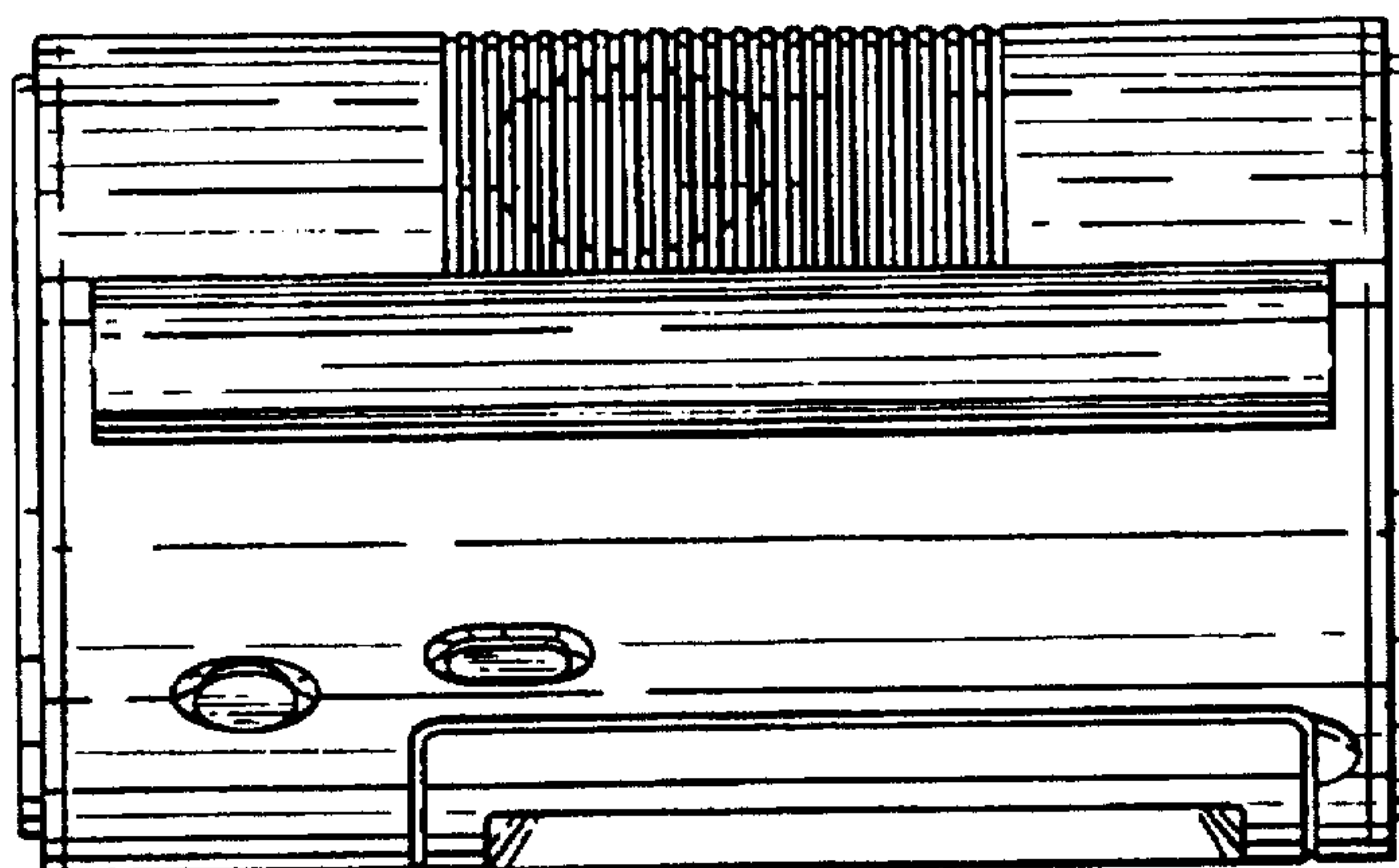


FIG. 2

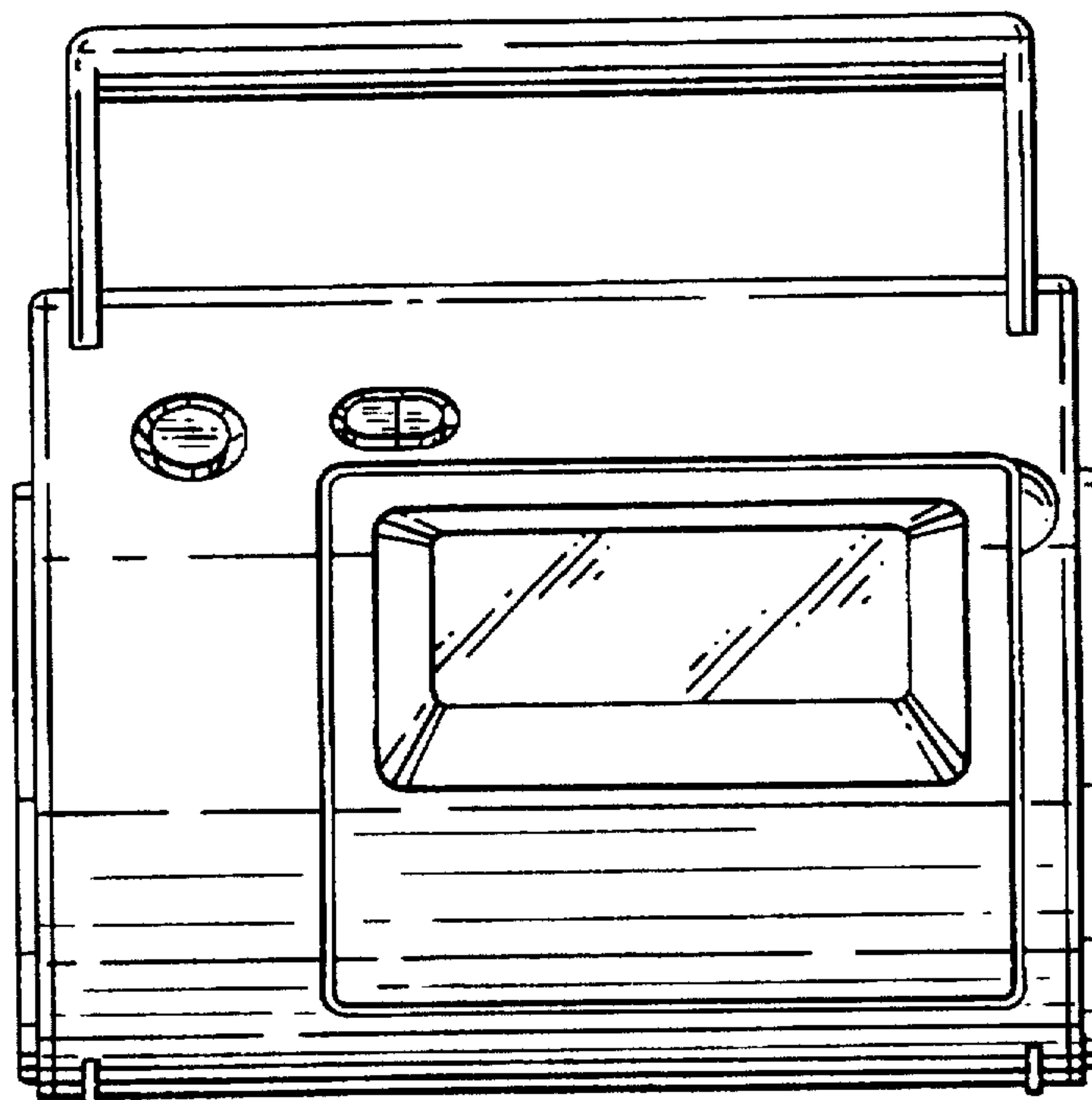
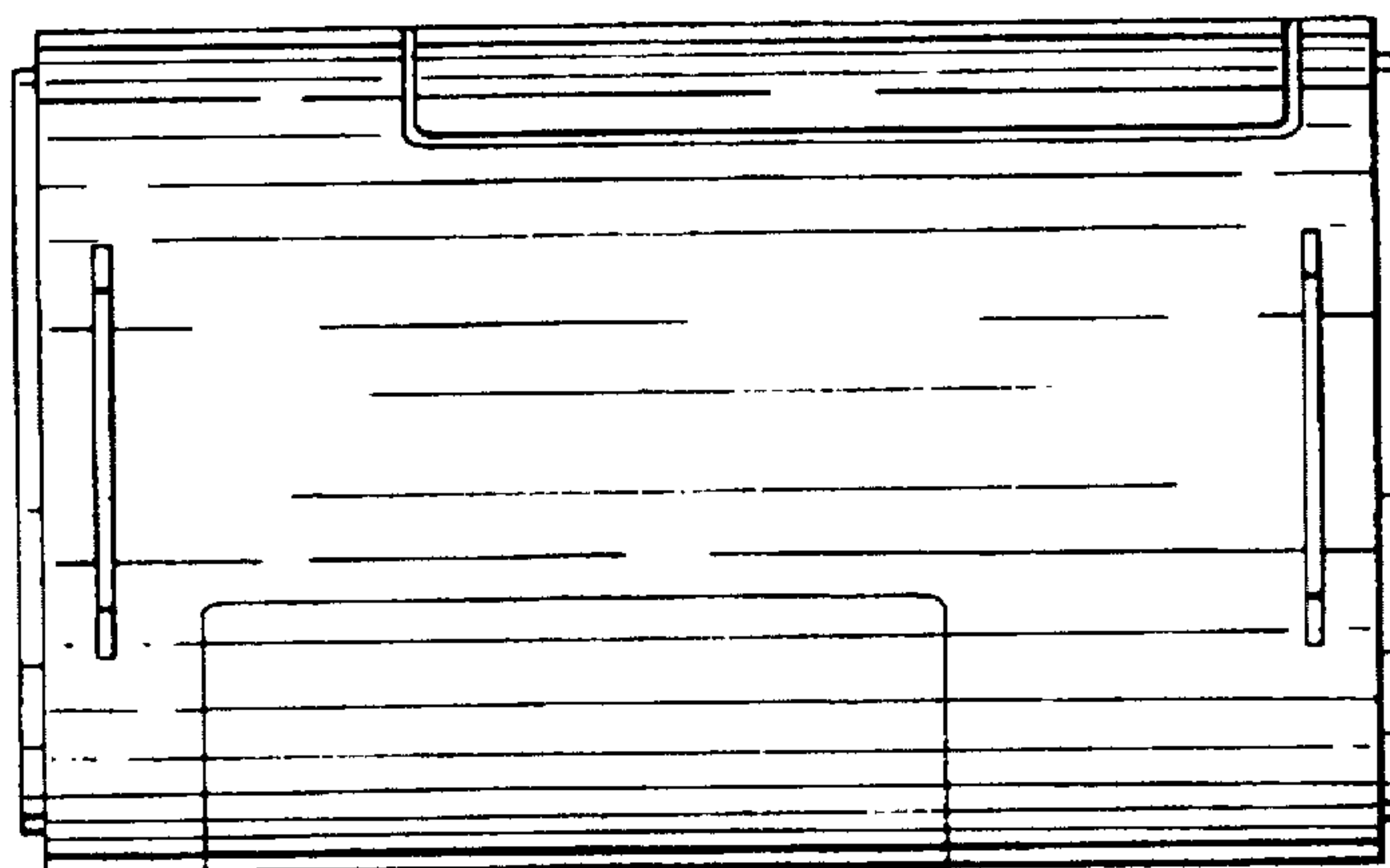


FIG. 3



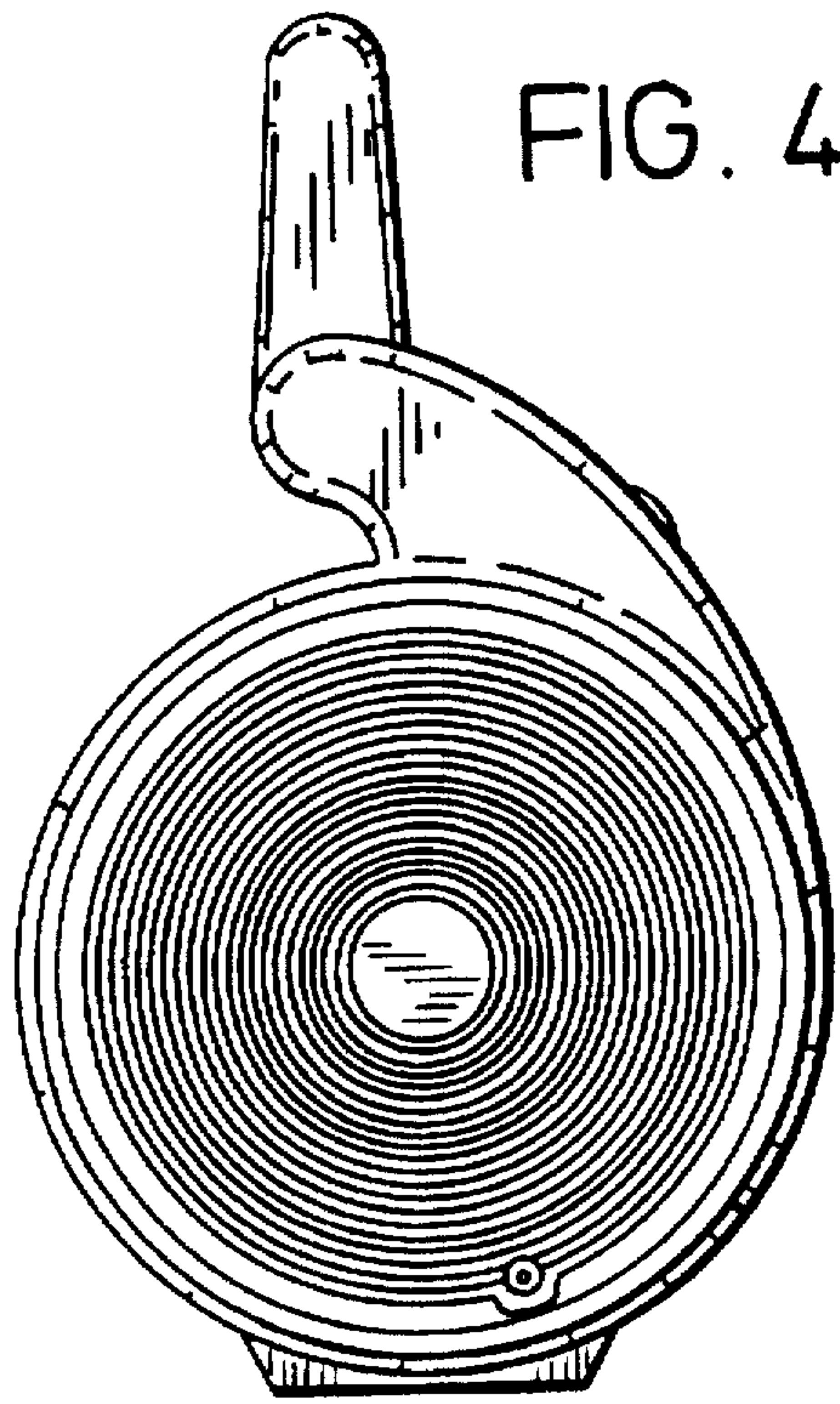


FIG. 4

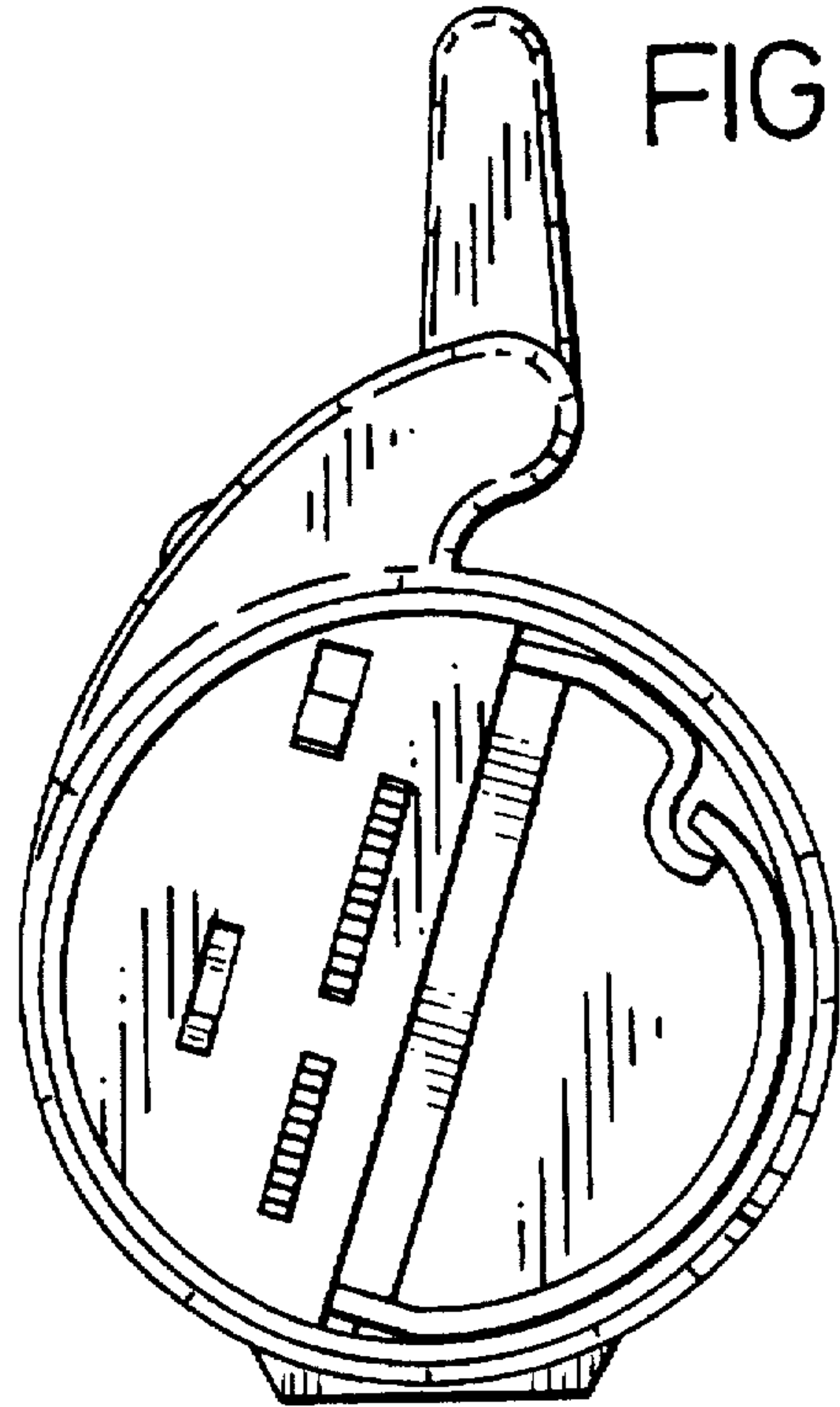


FIG. 5

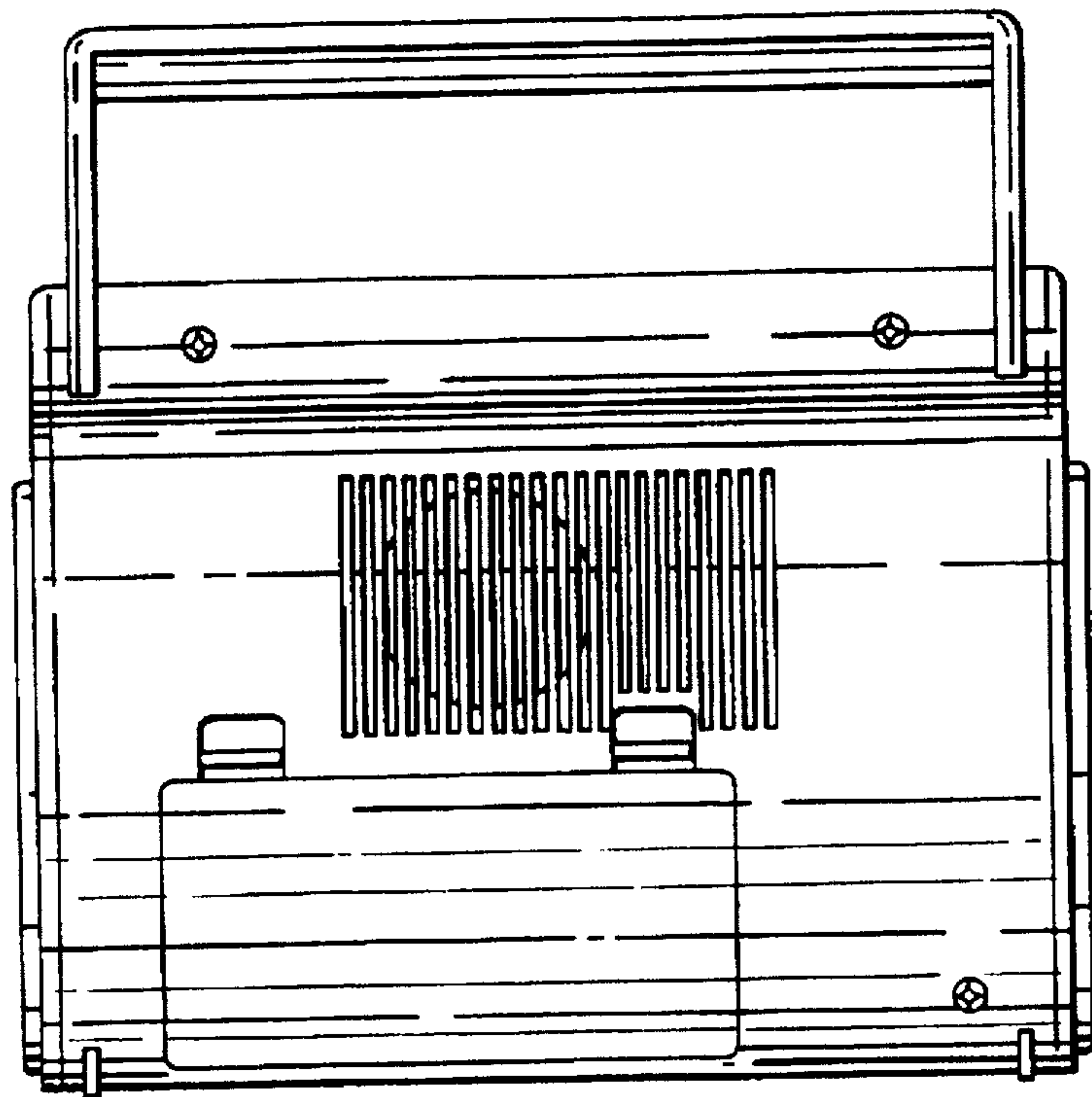


FIG. 6

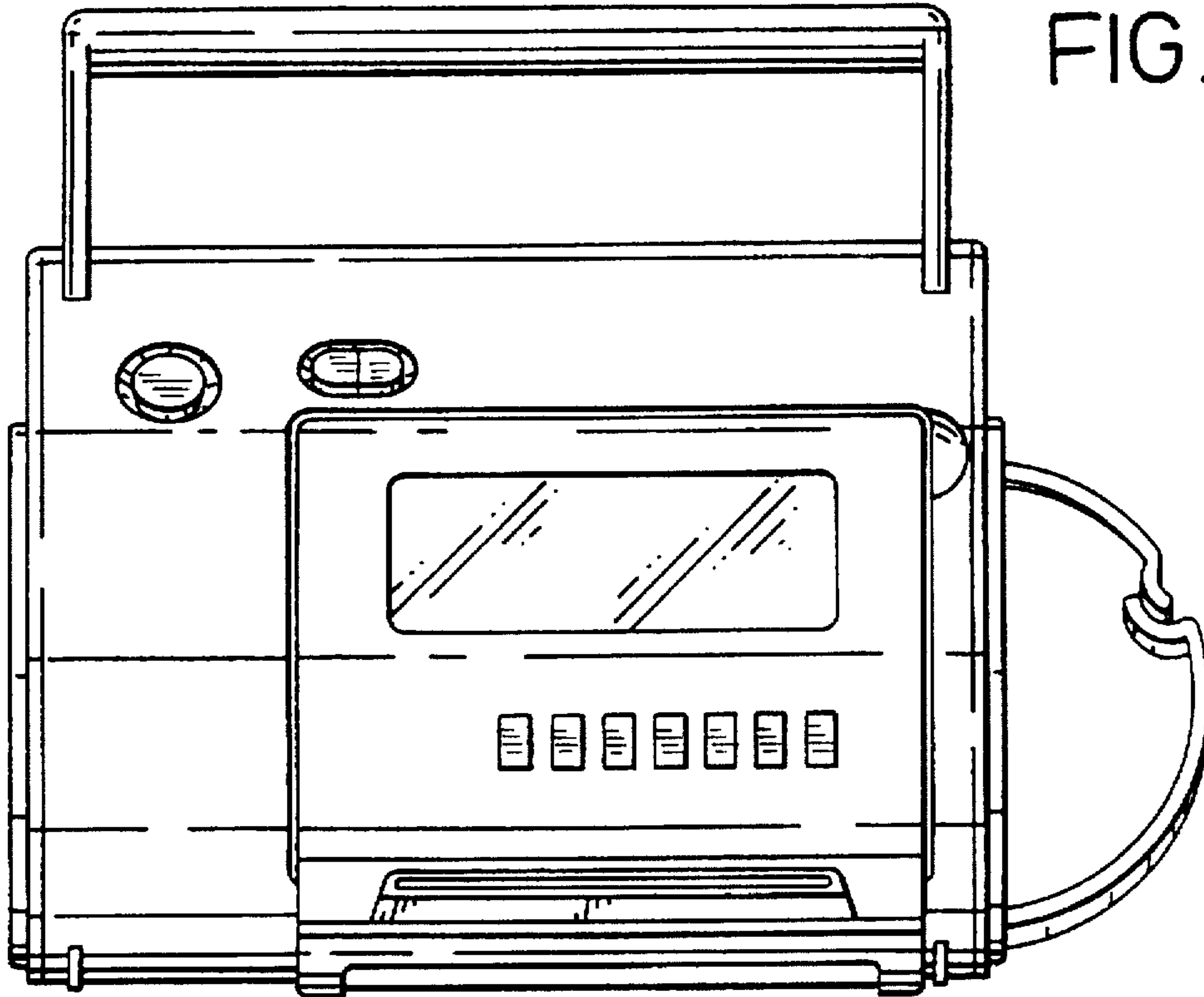


FIG. 7

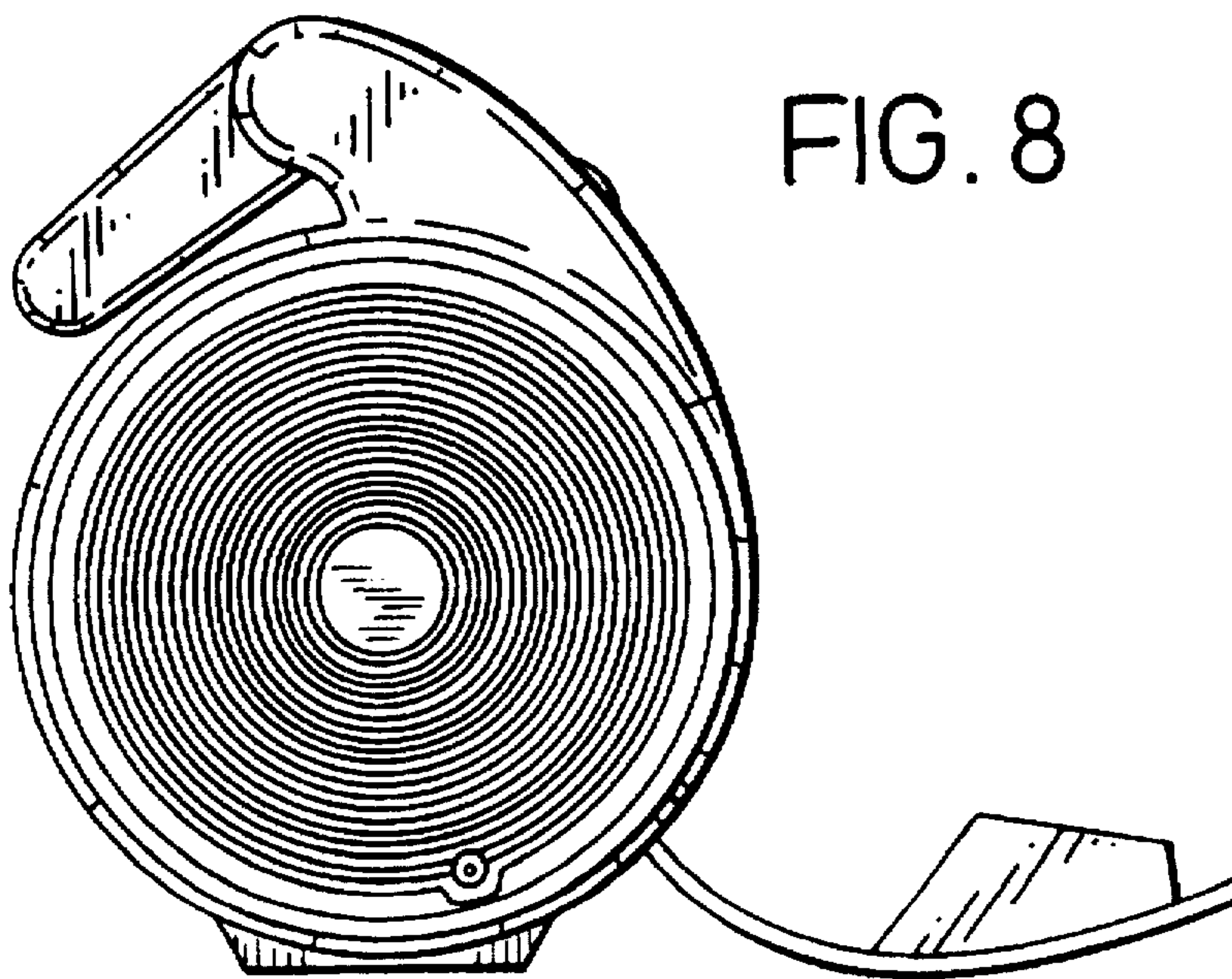


FIG. 8