



US00D388781S

# United States Patent [19]

Borck et al.

[11] Patent Number: **Des. 388,781**

[45] Date of Patent: **\*\*Jan. 6, 1998**

[54] **VIDEO TAPE CASSETTE**

[75] Inventors: **Wolfgang Borck**, Ludwigshafen;  
**Lothar Gliniorz**, Frankenthal; **Klaus Schoettle**, Heidelberg, all of Germany

[73] Assignee: **BASF Magnetics GmbH**, Mannheim, Germany

[\*\*] Term: **14 Years**

[21] Appl. No.: **863,391**

[22] Filed: **Apr. 3, 1992**

**Related U.S. Application Data**

[63] Continuation-in-part of Ser. No. 467,835, Dec. 18, 1989.

[51] **LOC (6) Cl.** ..... **14-99**

[52] **U.S. Cl.** ..... **D14/121**

[58] **Field of Search** ..... D14/114, 120-122, D14/299; D18/12, 22; 242/55.19 A, 197-199

[56] **References Cited**

**U.S. PATENT DOCUMENTS**

D. 250,474 12/1978 Nishigaki ..... D14/121

- D. 289,519 4/1987 Ohya et al. .... D14/121
- D. 296,780 7/1988 Kinoshita ..... D14/121
- D. 304,452 11/1989 Gelardi et al. .... D14/121

*Primary Examiner*—Ted Shooman  
*Attorney, Agent, or Firm*—Keil & Weinkauff

[57] **CLAIM**

The ornamental design for a video tape cassette, as shown and described.

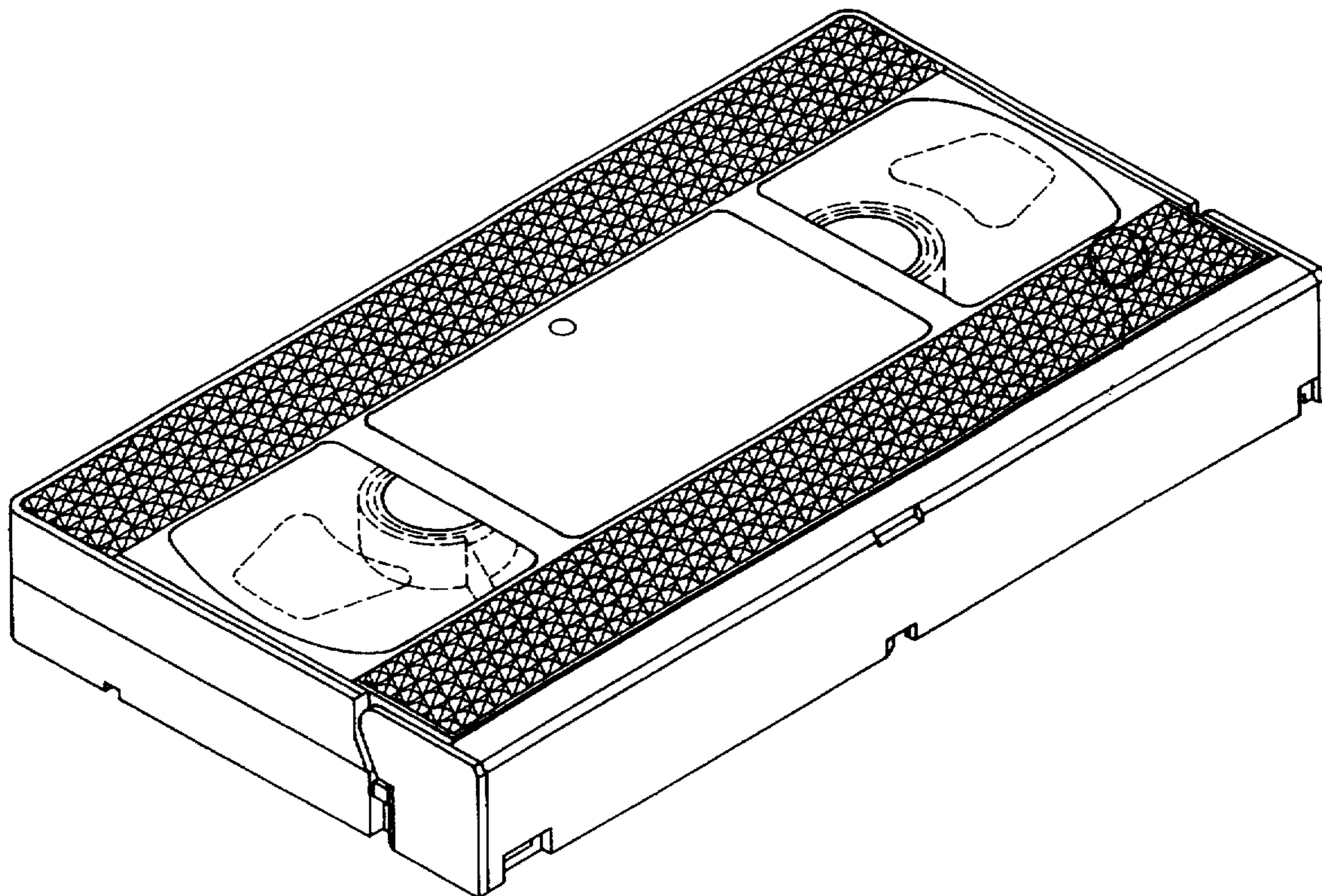
**DESCRIPTION**

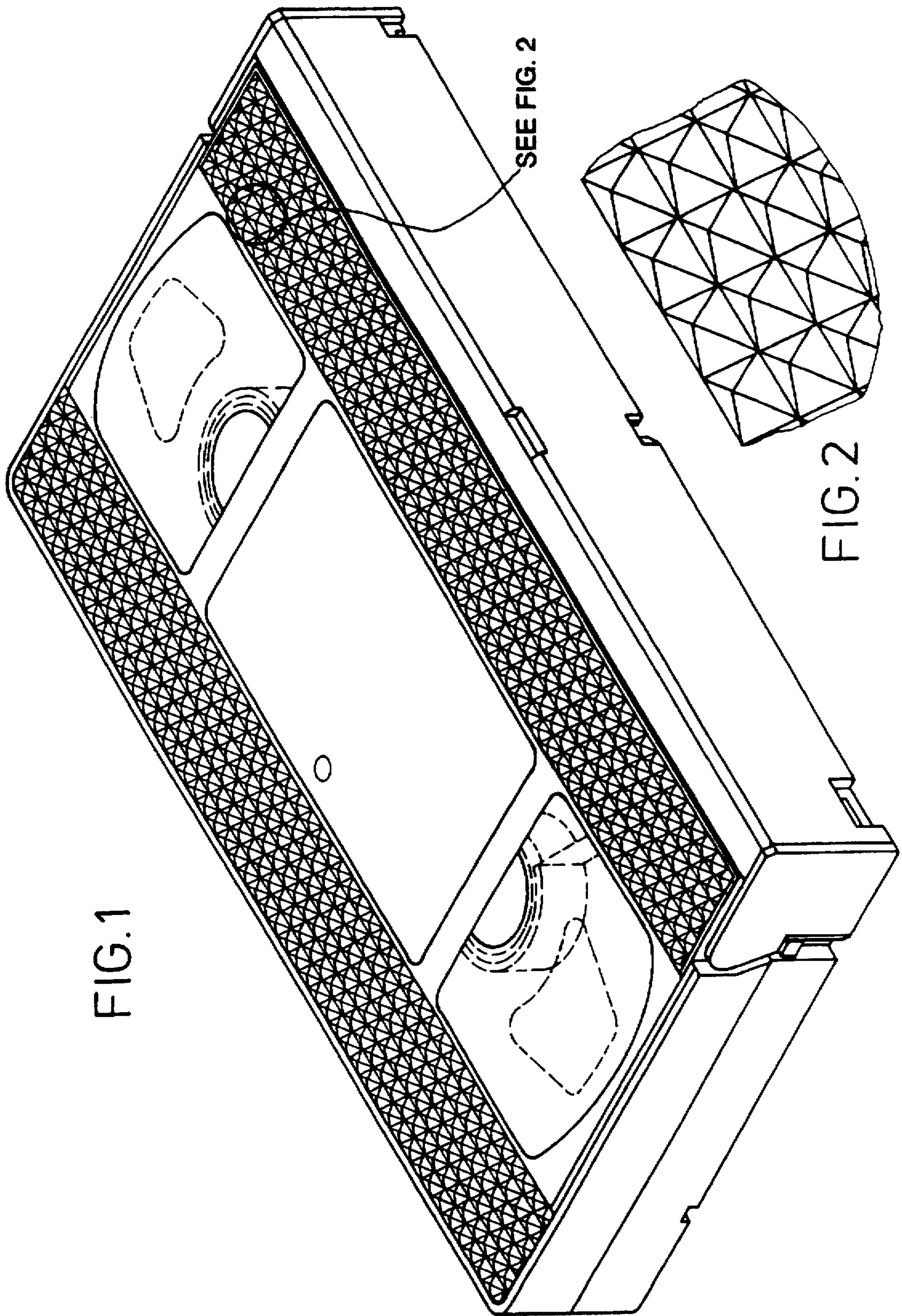
FIG. 1 is a top, front and left side perspective view of a video tape cassette showing our new design;

FIG. 2 is an enlarged fragmentary view of the area circled in FIG. 1; and,

FIG. 3 is a bottom, rear and right side perspective view of our tape cassette.

**1 Claim, 2 Drawing Sheets**





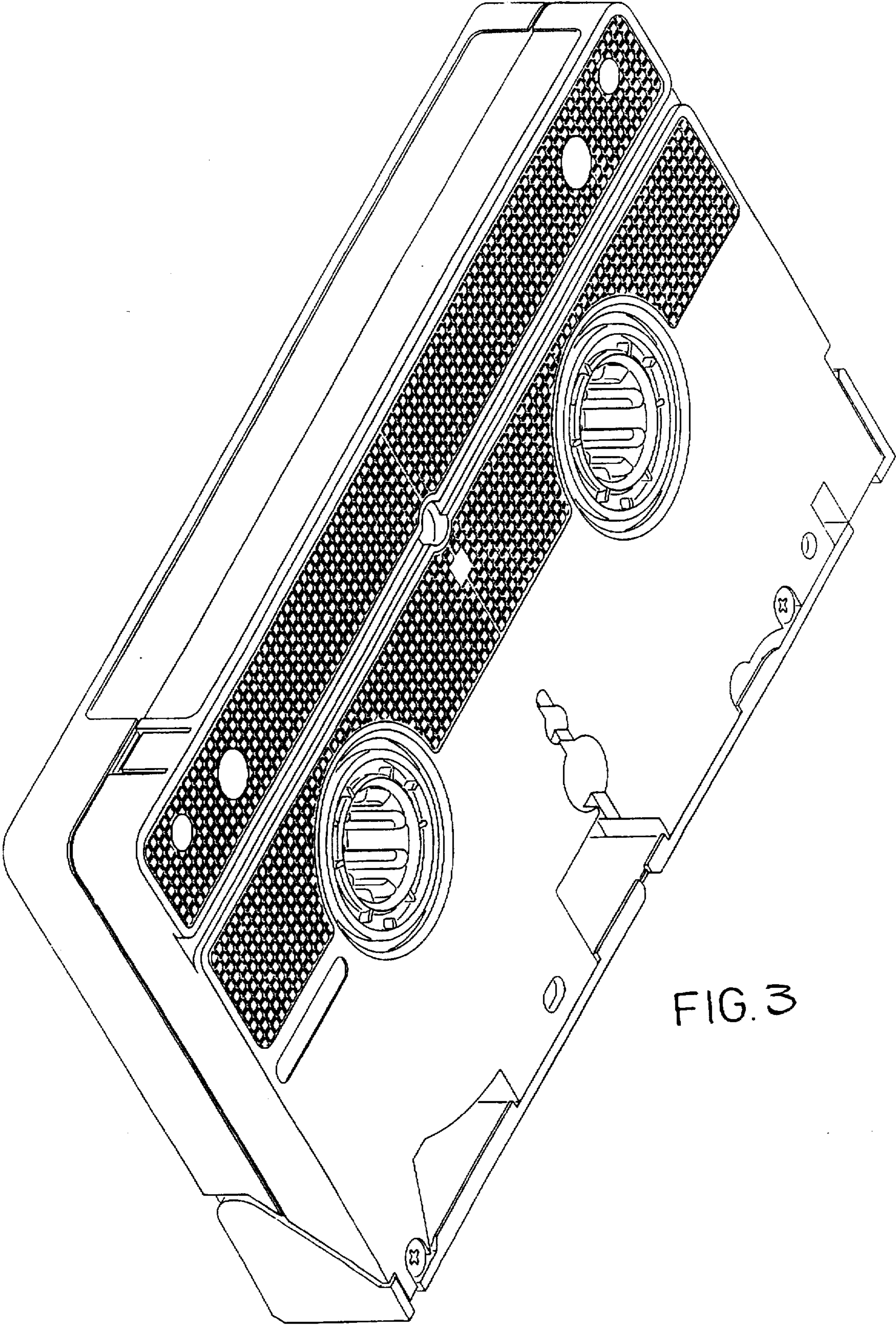


FIG. 3