



US00D388774S

# United States Patent [19] Giuntoli

[11] Patent Number: **Des. 388,774**  
[45] Date of Patent: **\*\*Jan. 6, 1998**

[54] **TOUCH PAD WITH SCROLL BARS**

[75] Inventor: **Domenic S. Giuntoli**, Seattle, Wash.

[73] Assignee: **Stratos Product Development Group**,  
Seattle, Wash.

[\*\*] Term: **14 Years**

[21] Appl. No.: **56,521**

[22] Filed: **Jul. 1, 1996**

D. 361,553	8/1995	DeLulius .....	D14/106
D. 375,492	11/1996	Chung .....	D14/115
D. 376,356	12/1996	Chung .....	D14/115
5,452,960	9/1995	Kuhlenschmidt .....	D14/115

*Primary Examiner*—Kay H. Chin  
*Attorney, Agent, or Firm*—Christensen O'Connor Johnson  
& Kindness PLLC

### [57] CLAIM

The ornamental design for a touch pad with scroll bars, as shown and described.

### Related U.S. Application Data

[63] Continuation-in-part of Ser. No. 53,549, Apr. 24, 1996.

[51] LOC (6) Cl. .... **14-02**

[52] U.S. Cl. .... **D14/114; D14/115; D14/106**

[58] Field of Search ..... D14/100, 101,  
D14/106, 113, 114, 115; D21/48; 345/156-167;  
200/5 A, 5 R, 6 A, 6 R; 273/148 B; 74/471

### [56] References Cited

#### U.S. PATENT DOCUMENTS

D. 359,036 6/1995 Mandel ..... D14/114

### DESCRIPTION

FIG. 1 is a perspective view of a touch pad showing my new design;

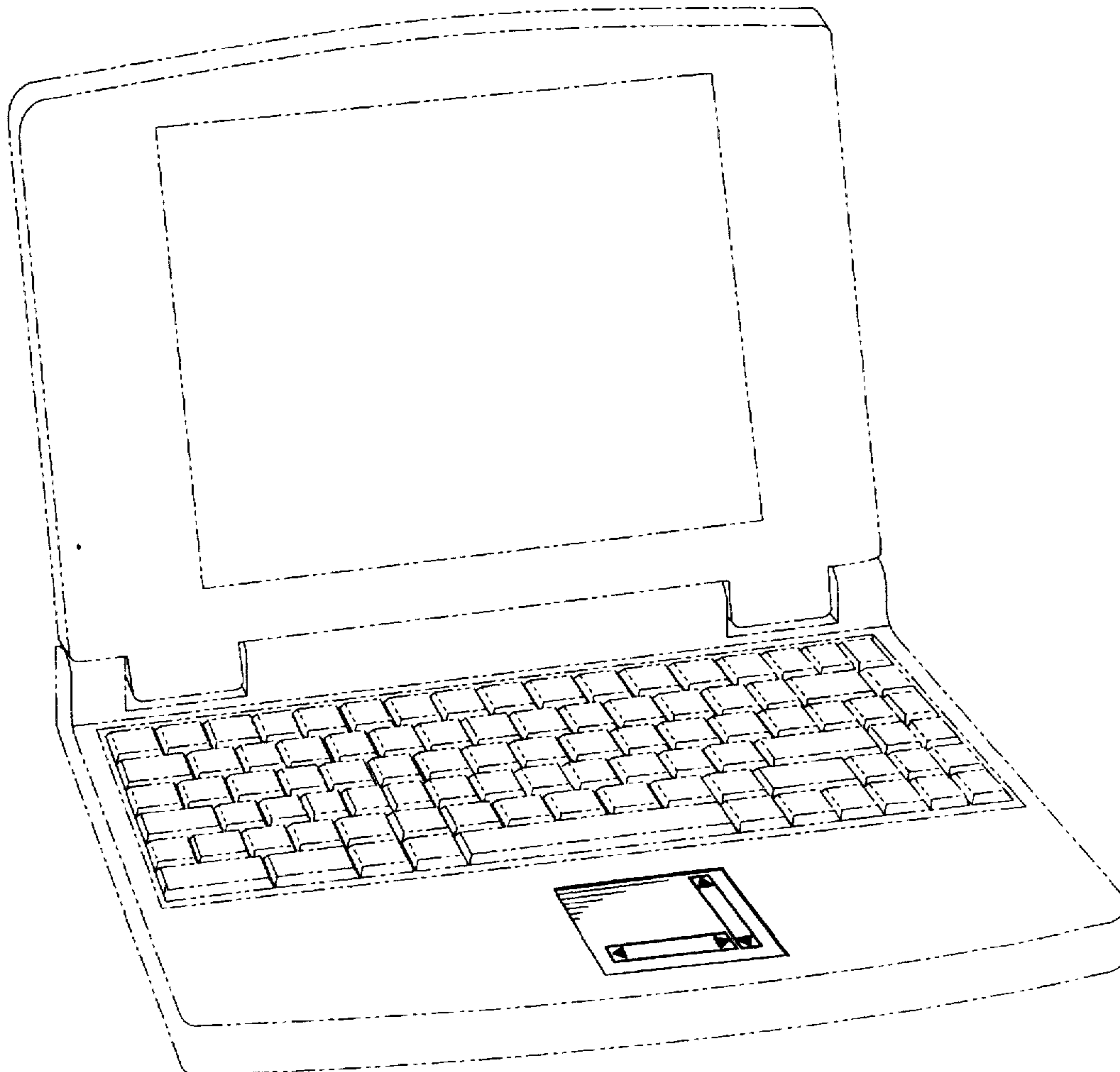
FIG. 2 is a top view thereof;

FIG. 3 is a perspective view of a second embodiment of the touch pad showing my new design; and,

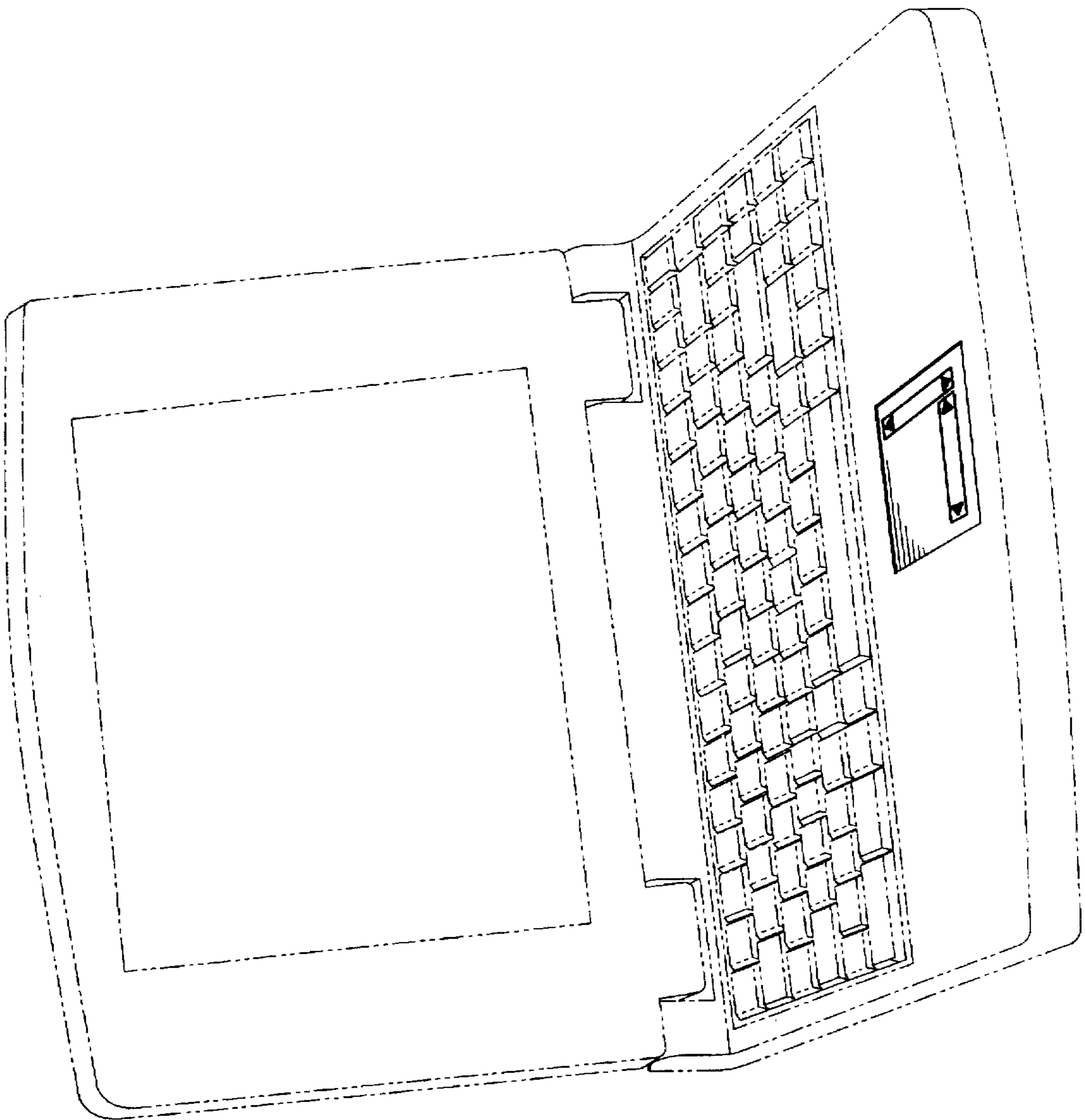
FIG. 4 is a top view of the second embodiment thereof.

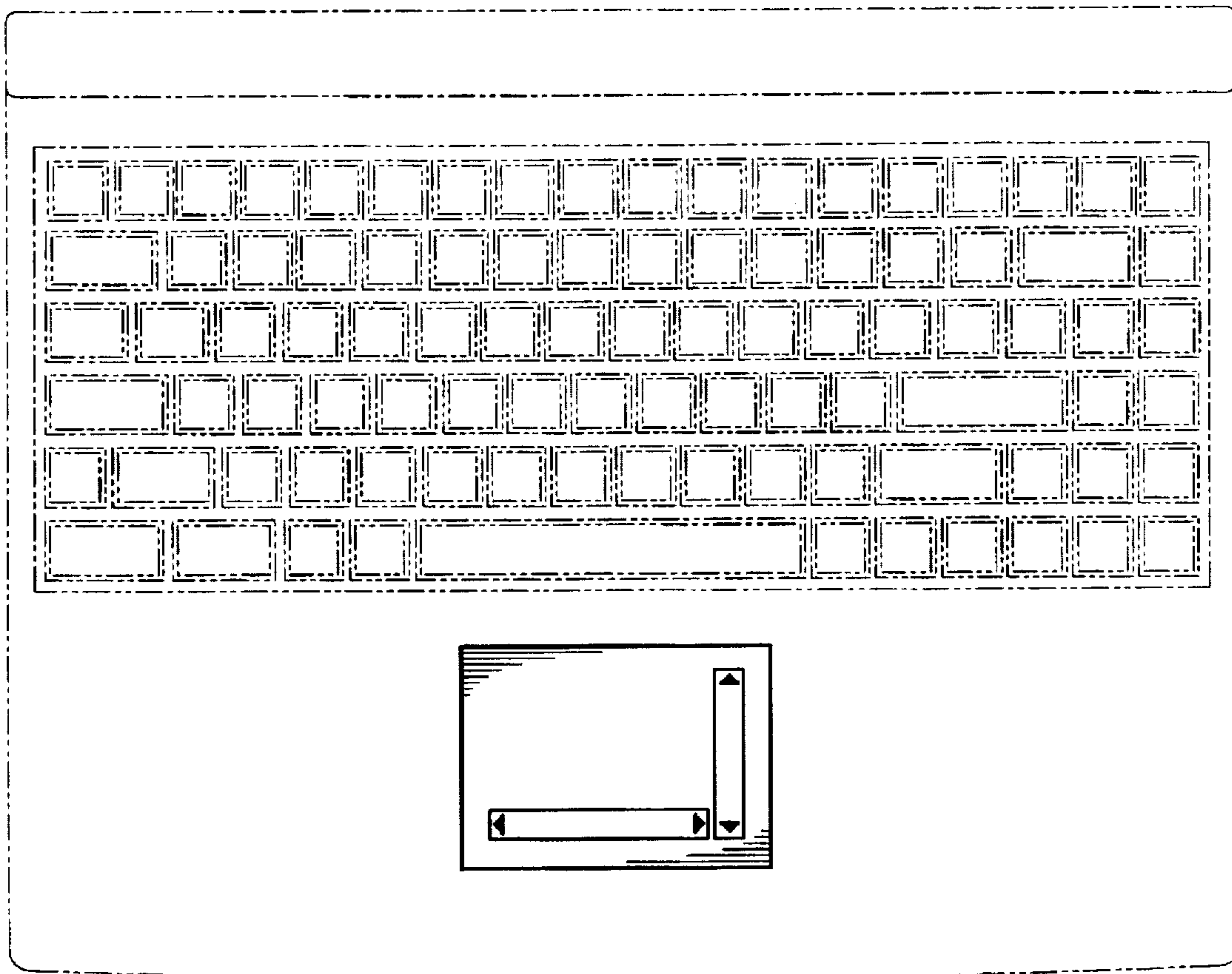
The broken line showing of the representative lap top computer and discrete touch pad in which my new design is shown is for illustrative purposes only and forms no part of the claimed design.

**1 Claim, 3 Drawing Sheets**

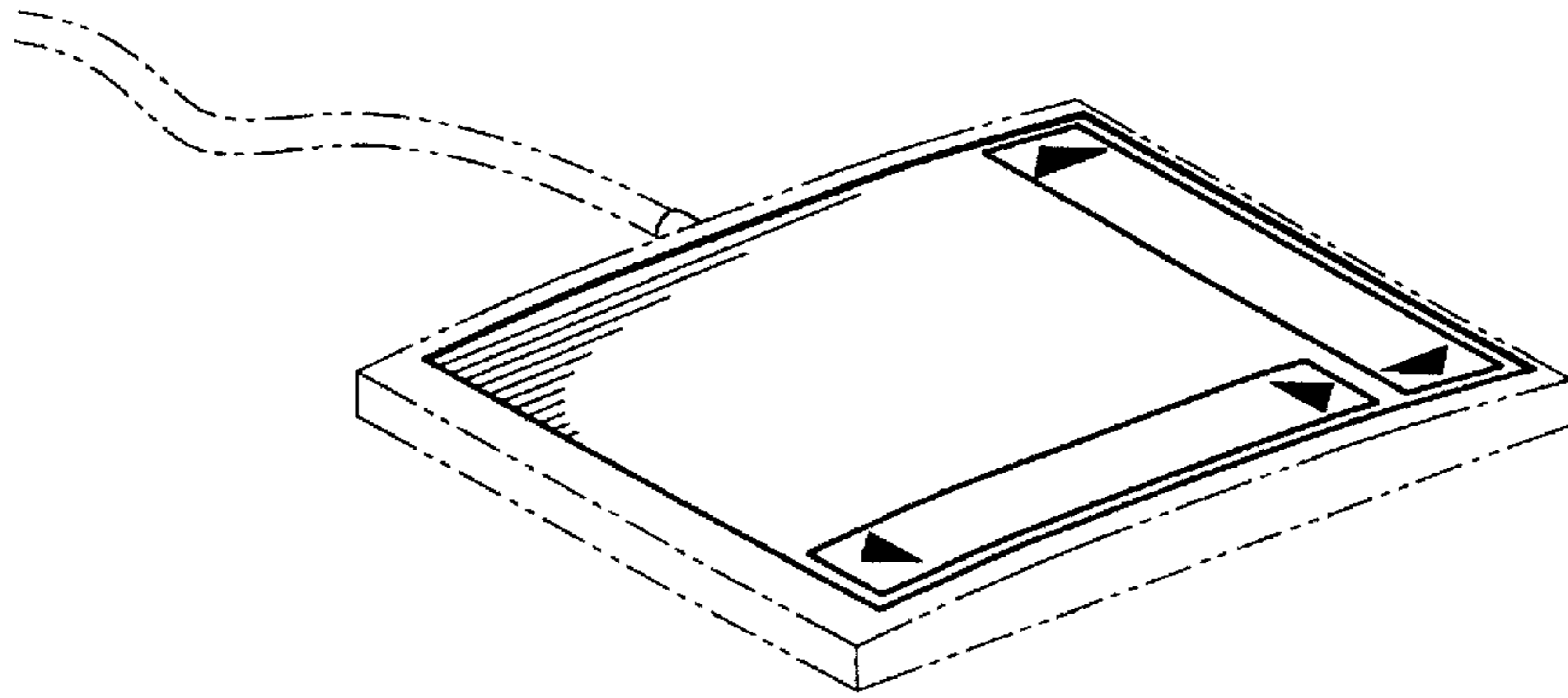


*Fig. 1.*

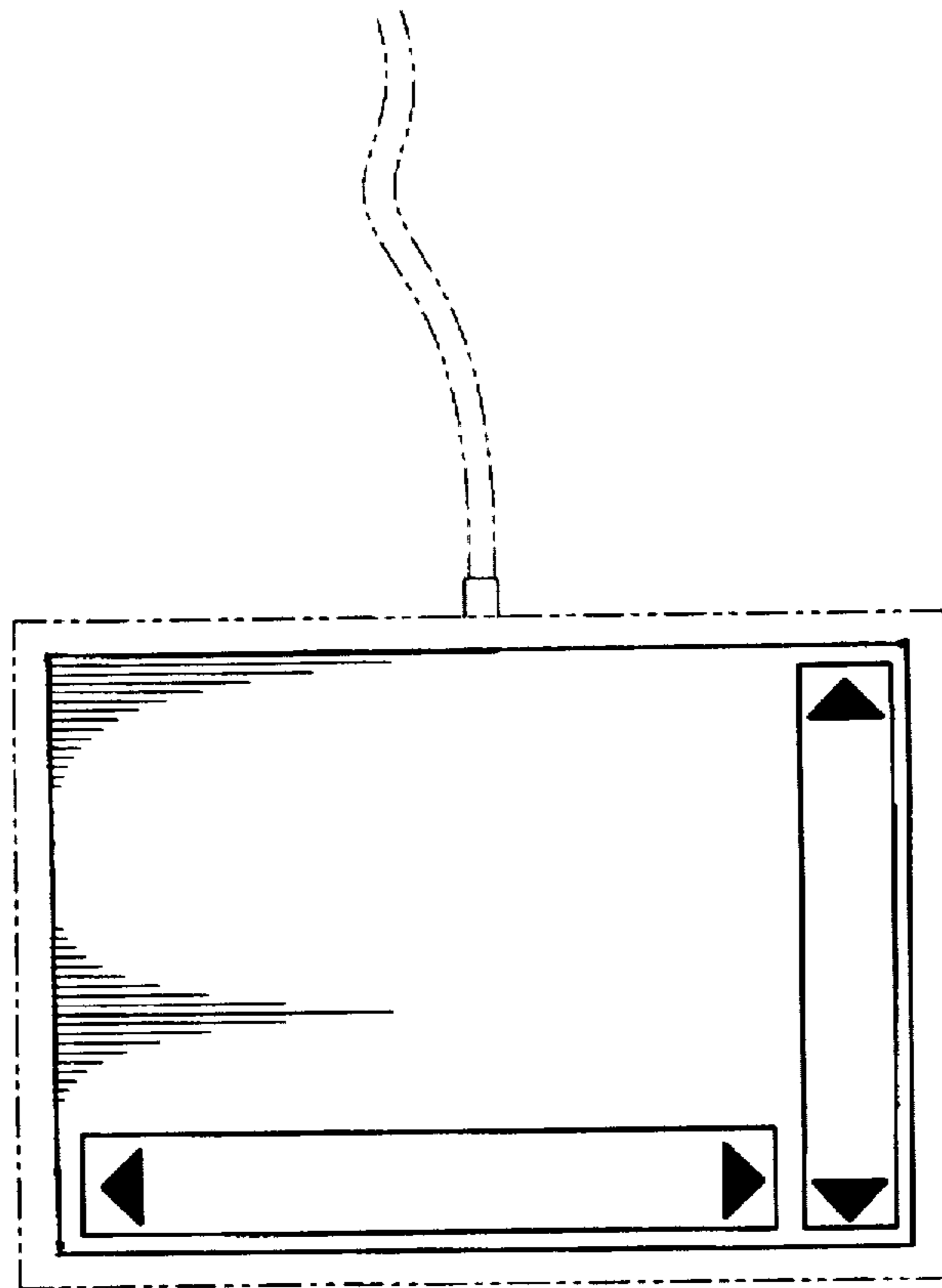




*Fig. 2.*



*Fig. 3.*



*Fig. 4.*