



US00D388772S

United States Patent [19] Cheng

[11] Patent Number: Des. 388,772

[45] Date of Patent: **Jan. 6, 1998

[54] PORTABLE COMPUTER

[75] Inventor: James Cheng, Baldwin Park, Calif.

[73] Assignee: Acme Portable Machines, Inc.,
Baldwin Park, Calif.

[**] Term: 14 Years

[21] Appl. No.: 67,213

[22] Filed: Feb. 21, 1997

[51] LOC (6) Cl. 14-02

[52] U.S. Cl. D14/106

[58] Field of Search D14/100, 101,
D14/106, 113, 115; 345/104, 156, 168,
173, 901-905; 341/22, 23; 361/680-686;
364/708.1, 709.04, 709.12

[56] **References Cited**

U.S. PATENT DOCUMENTS

D. 275,955	10/1984	Moraine	D14/106
D. 276,231	11/1984	Frigard et al.	D14/106
D. 279,475	7/1985	Papajohn	D14/106
D. 340,037	10/1993	Yokota et al.	D14/106
5,260,884	11/1993	Stem	361/685 X

Primary Examiner—Freda Nunn
Attorney, Agent, or Firm—Ray K. Shahani

[57] **CLAIM**

The ornamental design for a portable computer, as shown and described.

DESCRIPTION

FIG. 1 is a top left and front perspective view of a portable computer;

FIG. 2 is a top right and back perspective view thereof;

FIG. 3 is a bottom left and front perspective view thereof;

FIG. 4 is a bottom right and back perspective view thereof;

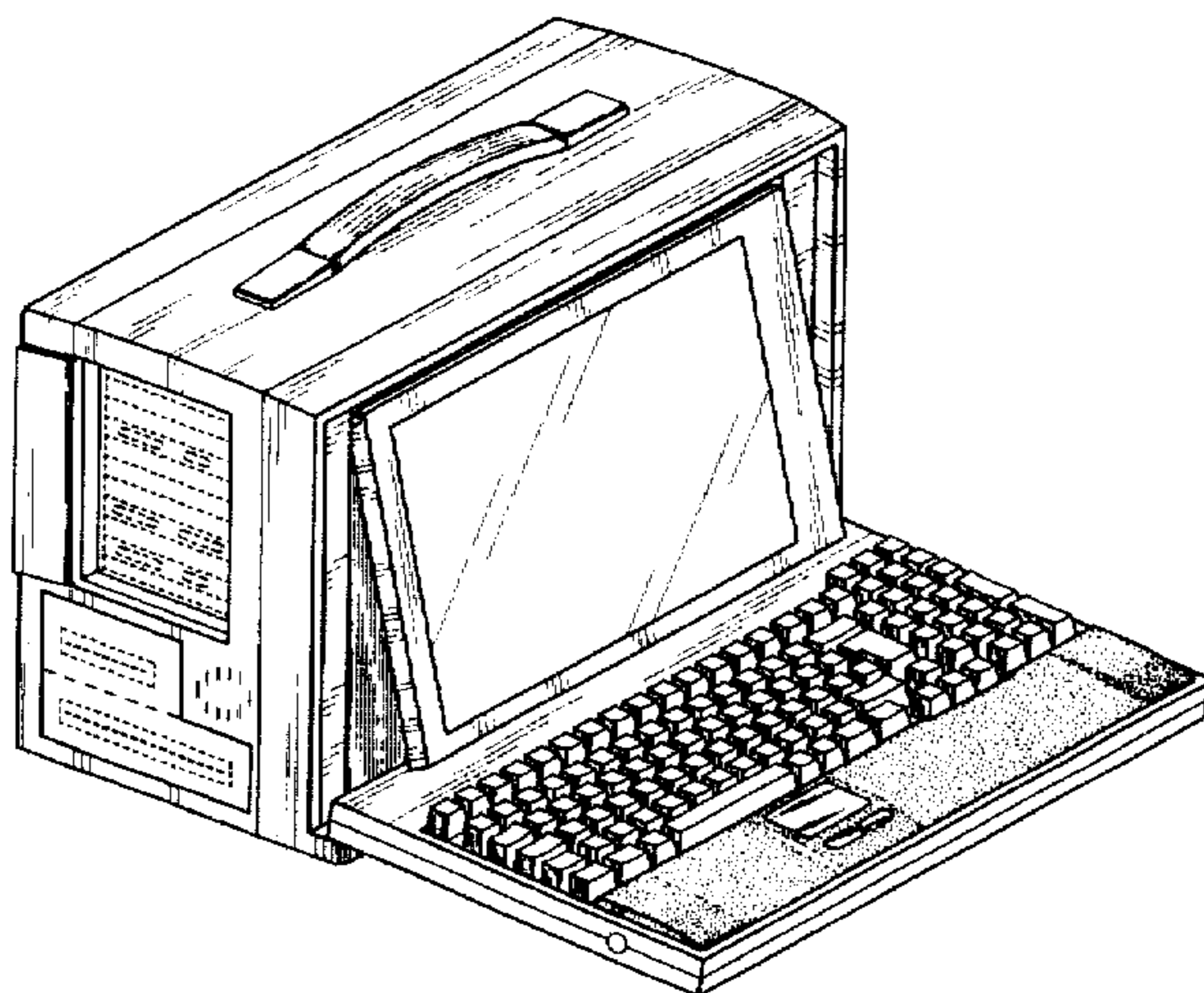
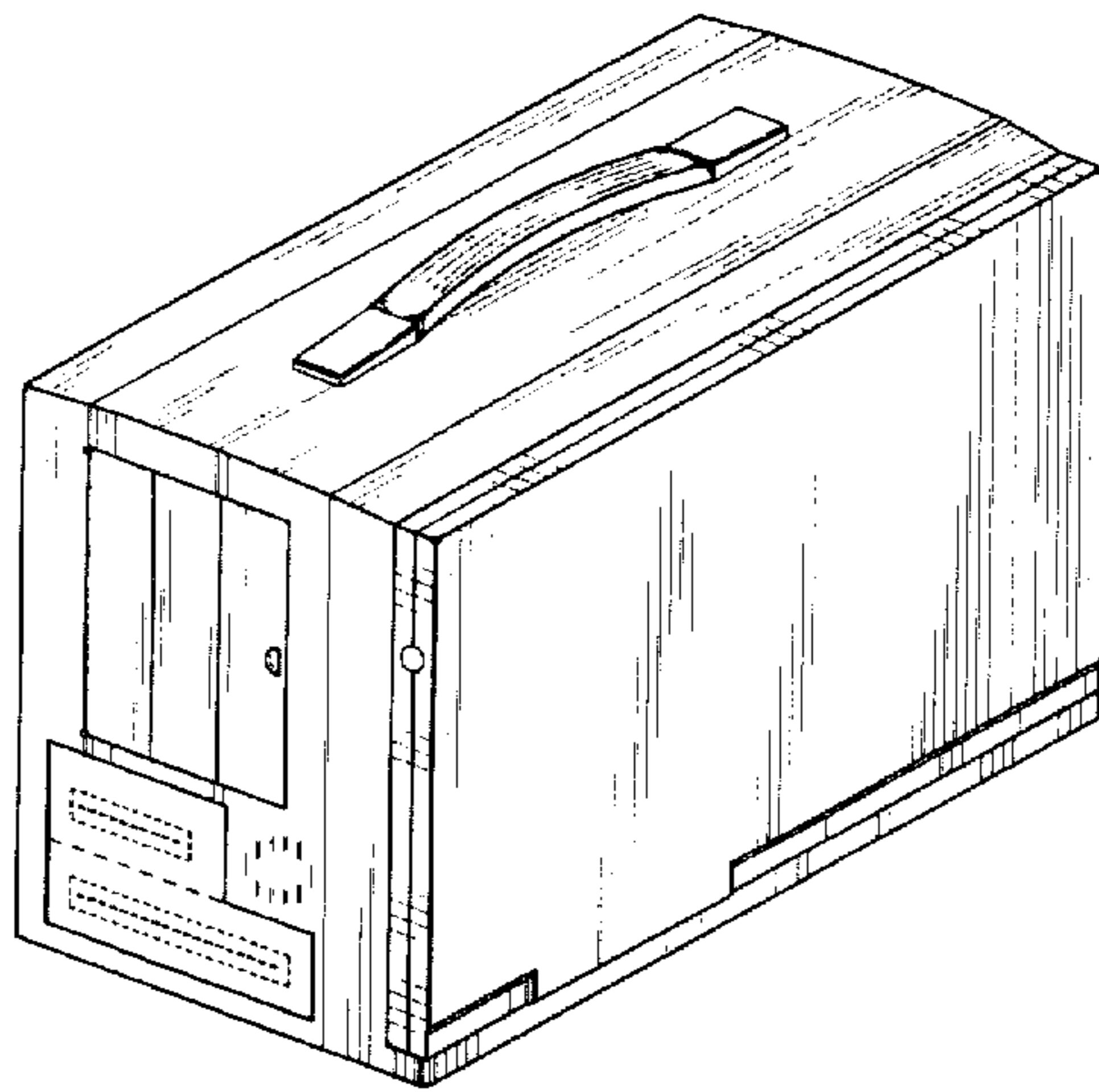
FIG. 5 is a top right and back perspective view thereof similar to FIG. 2 but showing the small door open on the side;

FIG. 6 is a top left and front perspective view thereof in an open position; and,

FIG. 7 is a top left and back perspective view thereof in an open position.

It will be understood that the broken line environment of FIGS. 1-7 are for illustrative purposes only and form no part of the claimed design.

1 Claim, 7 Drawing Sheets



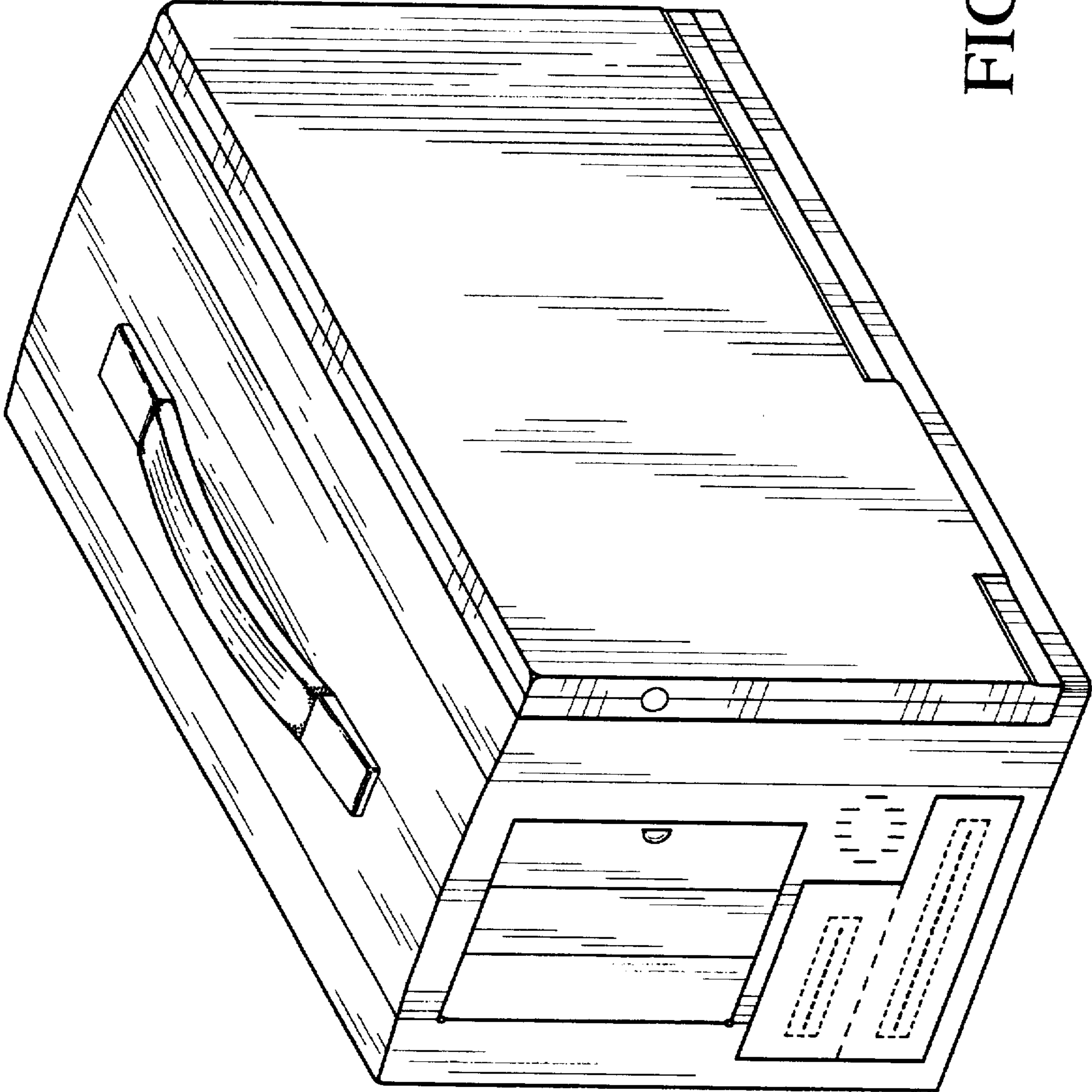


FIG. 1

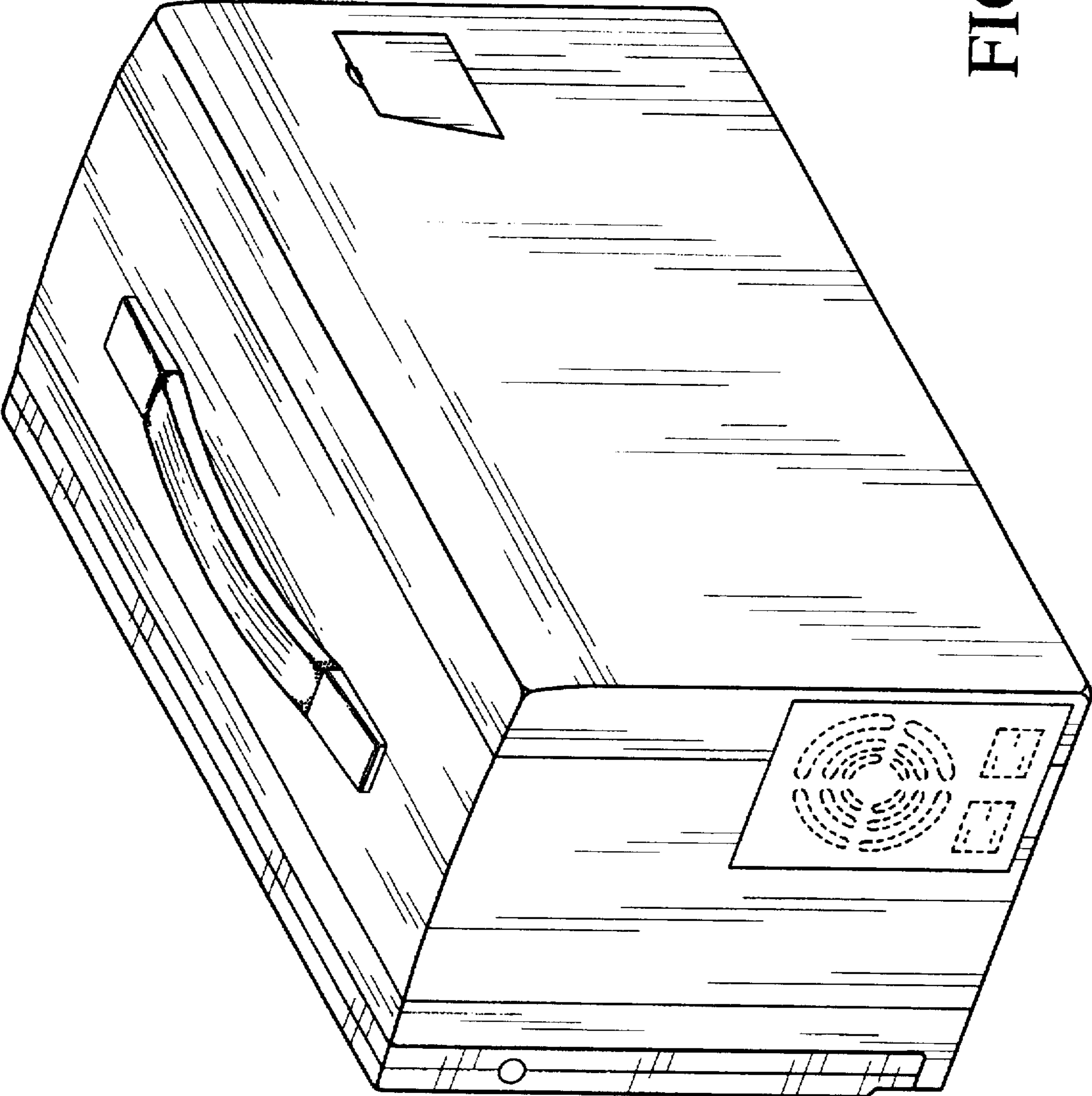


FIG. 2

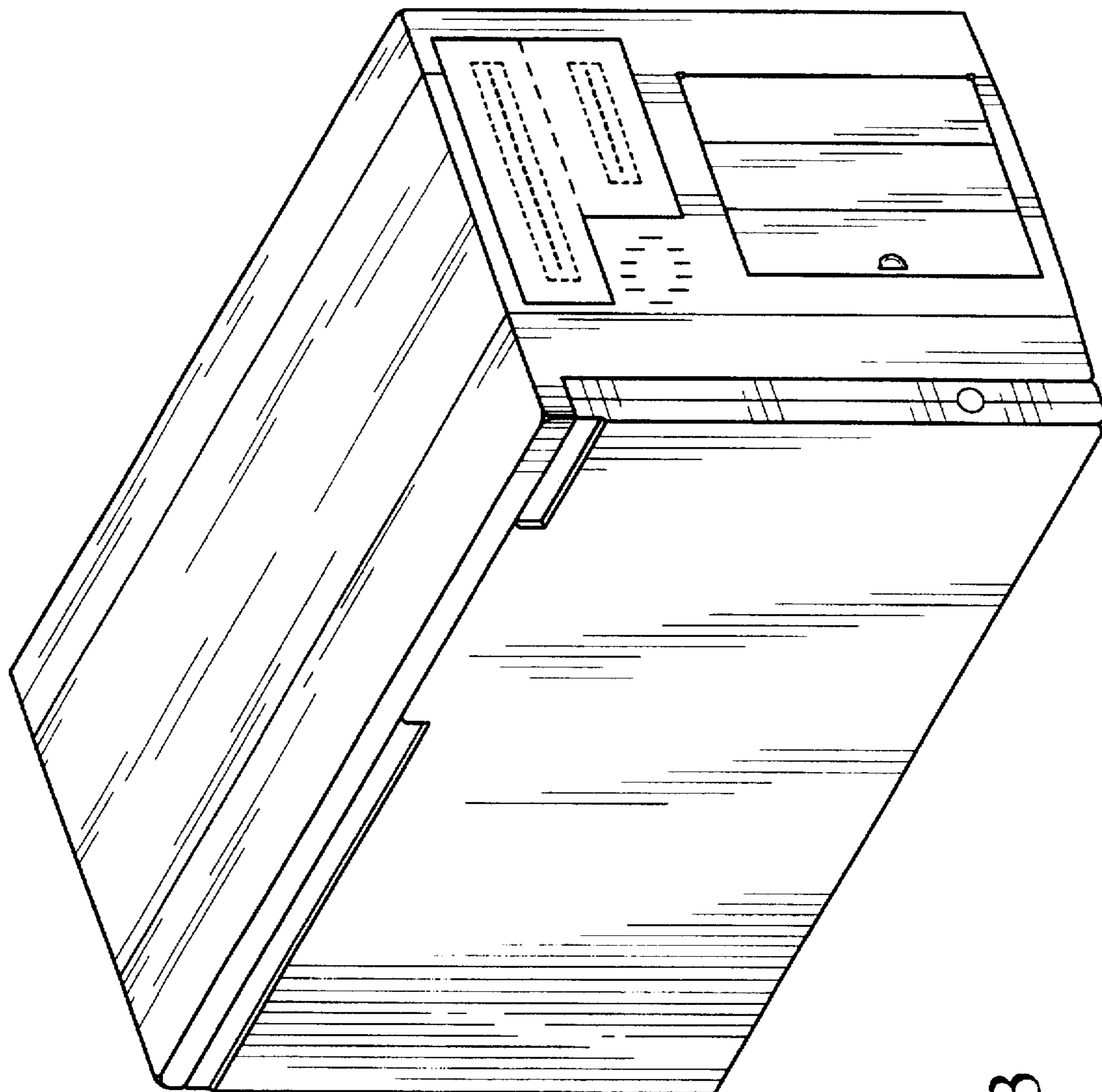


FIG. 3

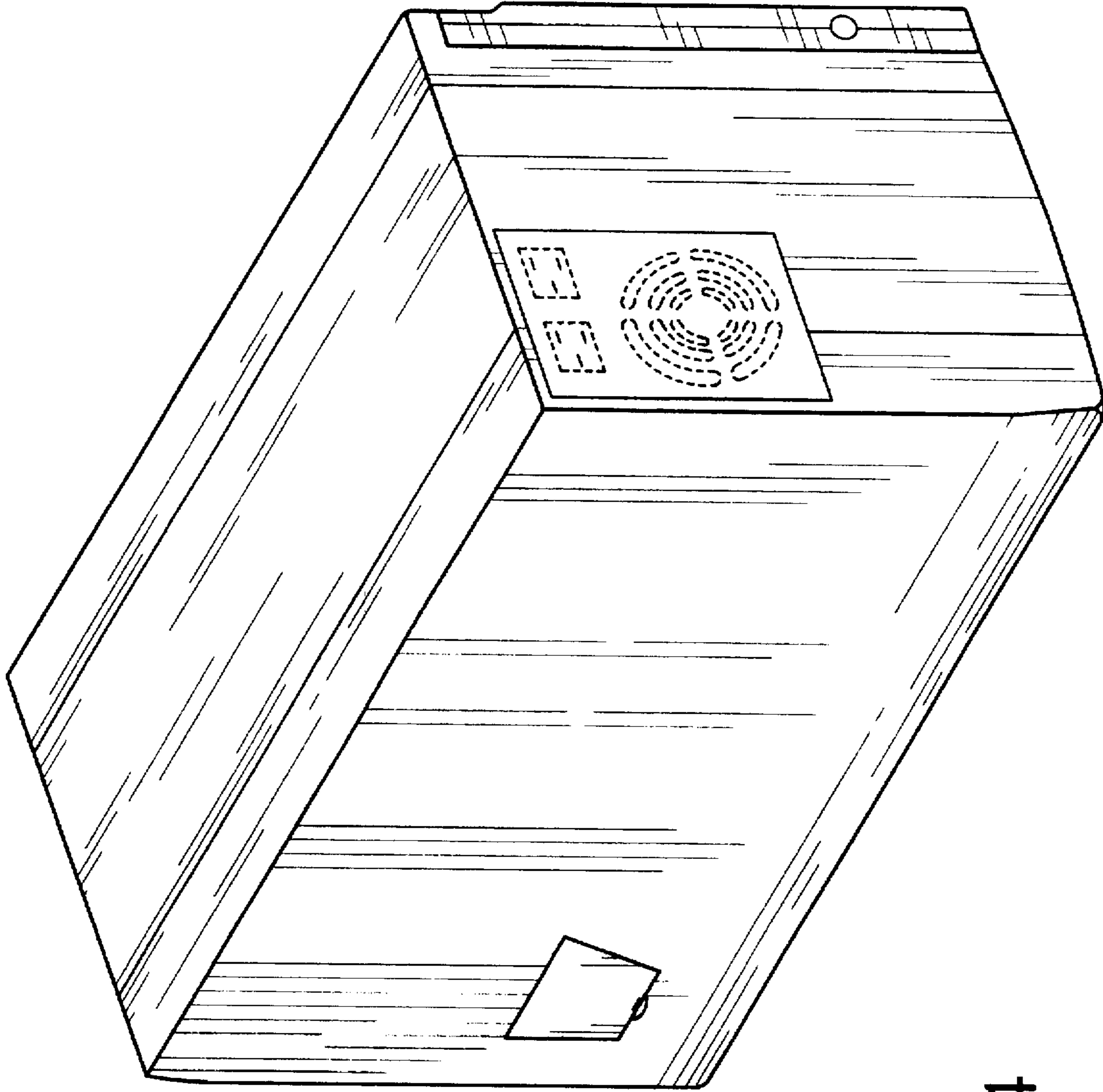
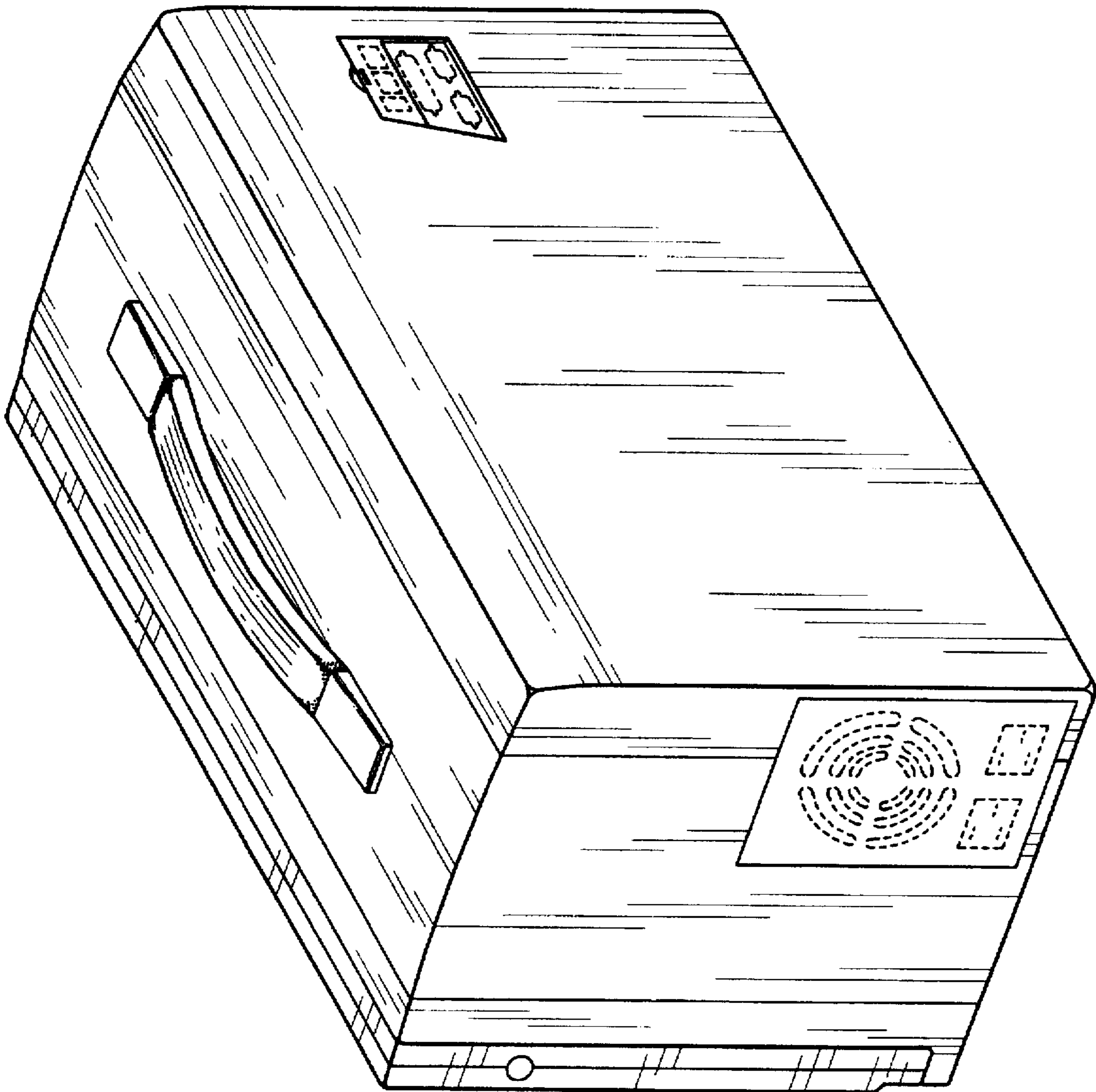


FIG. 4

FIG. 5



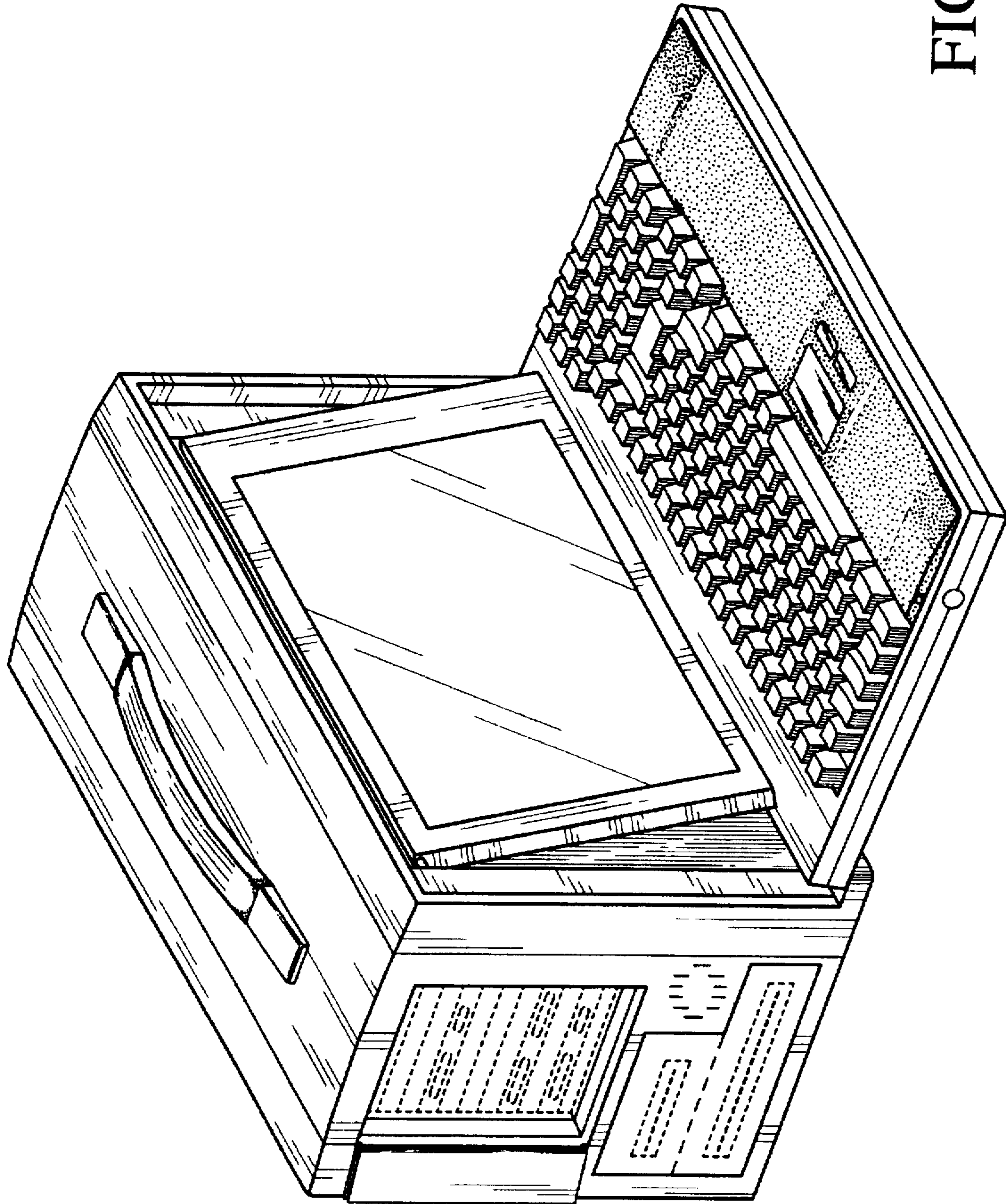


FIG. 6

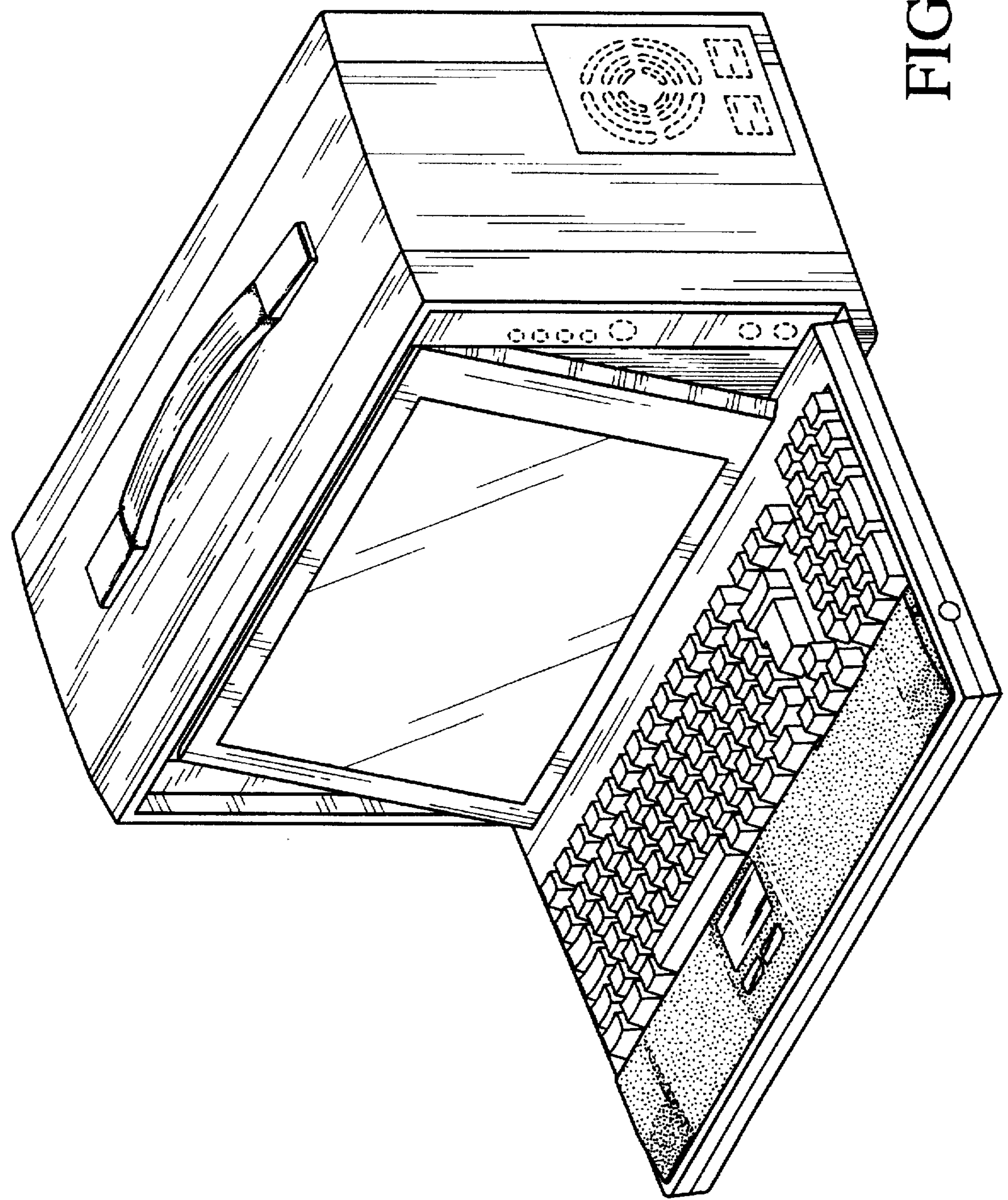


FIG. 7