



US00D388770S

United States Patent [19] Spatz

[11] Patent Number: **Des. 388,770**
[45] Date of Patent: ****Jan. 6, 1998**

[54] **LIGHT SWITCH**

[76] Inventor: **Roy G. Spatz**, 124 Highland Ave.,
Sheboygan Falls, Wis. 53085

[**] Term: **14 Years**

[21] Appl. No.: **52,700**

[22] Filed: **Apr. 5, 1996**

[51] LOC (6) Cl. **13-03**

[52] U.S. Cl. **D13/171**

[58] Field of Search **D13/158-178,**
D13/199; 362/806

[56] **References Cited**

U.S. PATENT DOCUMENTS

D. 275,552	9/1984	Izumi .	
D. 317,055	5/1991	Moore .	
D. 345,430	3/1994	Ridgeway .	
D. 346,363	4/1994	Tuao	D13/162
D. 351,915	10/1994	Hermanson .	
D. 354,942	1/1995	Schwan .	
4,215,277	7/1980	Weiner et al.	D13/162 X
4,923,721	5/1990	Gilmore	362/806 X
5,157,868	10/1992	Munoz .	
5,292,257	3/1994	Milan .	
5,451,842	9/1995	Chien	362/808 X
5,485,068	1/1996	Vaught	362/806 X

Primary Examiner—James Gandy
Assistant Examiner—Cathorn B. Matta
Attorney, Agent, or Firm—Richard C. Litman

[57] **CLAIM**

The ornamental design for a light switch, as shown and described.

DESCRIPTION

FIG. 1 is a perspective view of a light switch showing my new design;

FIG. 2 is an environmental perspective view thereof, shown at a greatly reduced scale;

FIG. 3 is a front elevational view thereof, shown at a slightly reduced scale;

FIG. 4 is a top plan view thereof, shown at a slightly reduced scale;

FIG. 5 is a right side elevational view thereof, shown at a slightly reduced scale;

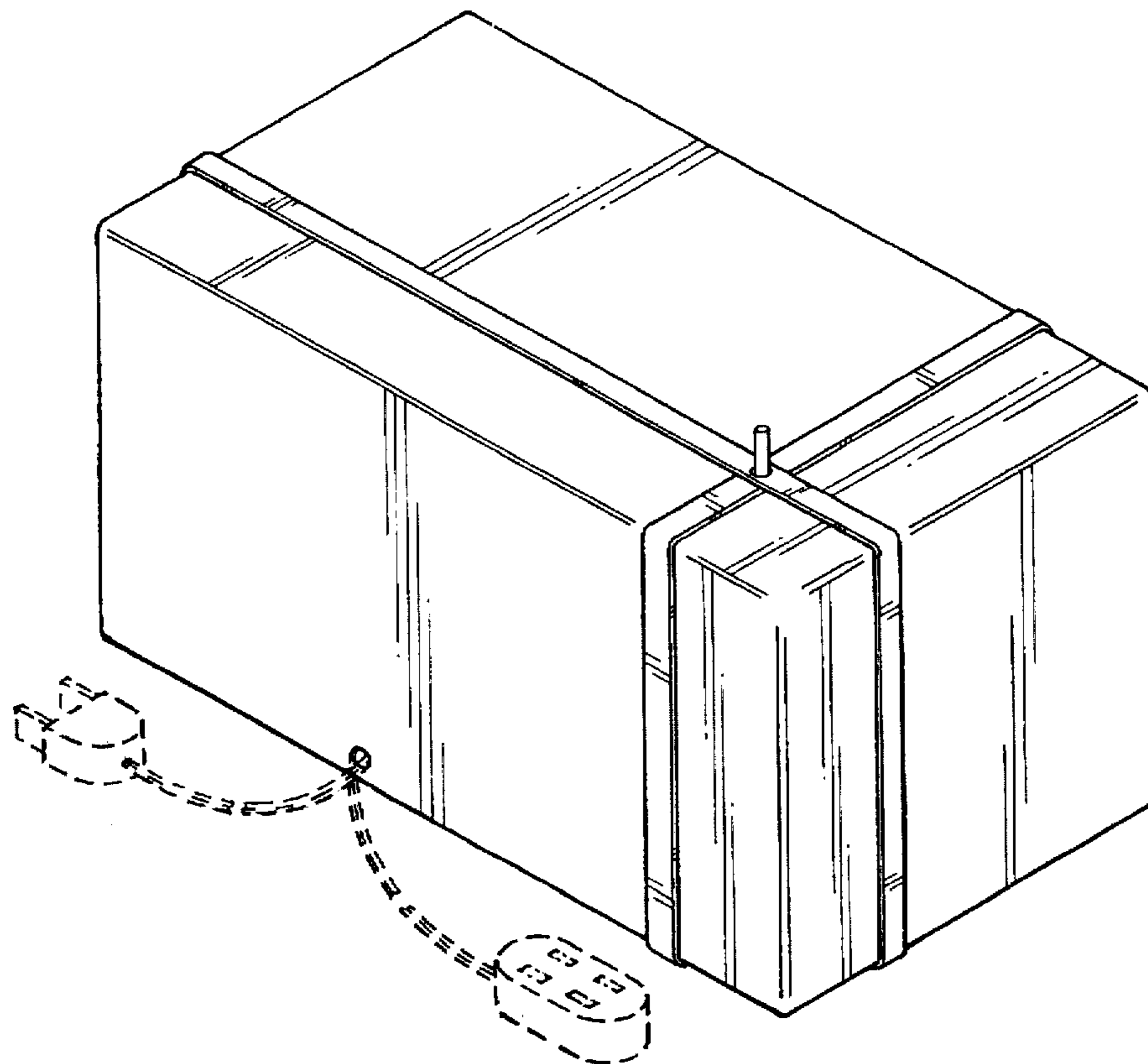
FIG. 6 is a left side elevational view thereof, shown at a slightly reduced scale;

FIG. 7 is a bottom view thereof, shown at a slightly reduced scale; and,

FIG. 8 is a rear elevational view thereof, shown at a slightly reduced scale.

The broken line showing of the Christmas tree and the outlet in FIG. 2, the bow in FIGS. 3, 5, 6 and 8, and plug cord and receptacle in FIGS. 1, 2 and 4-8 is for illustrative purposes only, and forms no part of the claimed design.

1 Claim, 5 Drawing Sheets



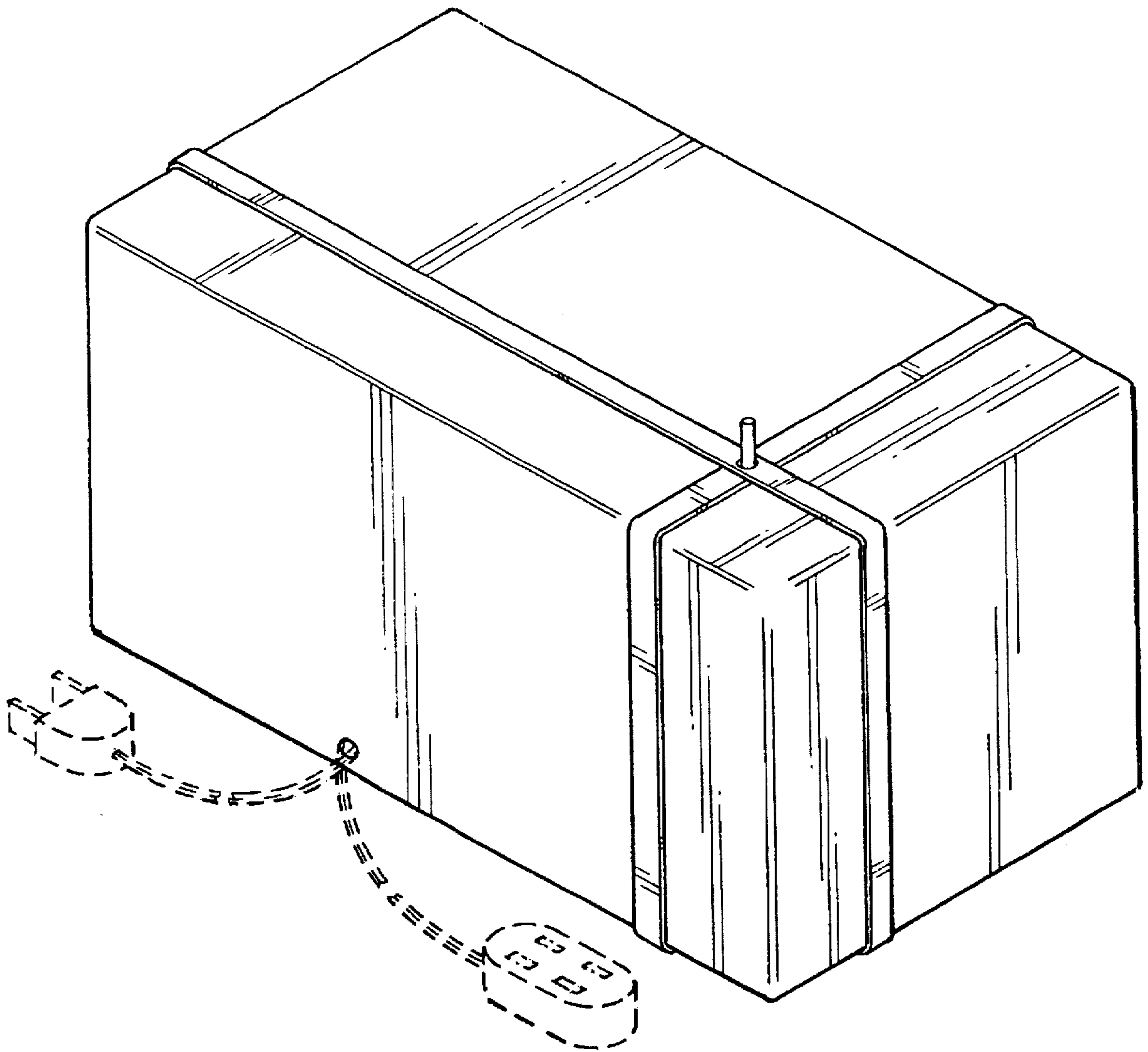
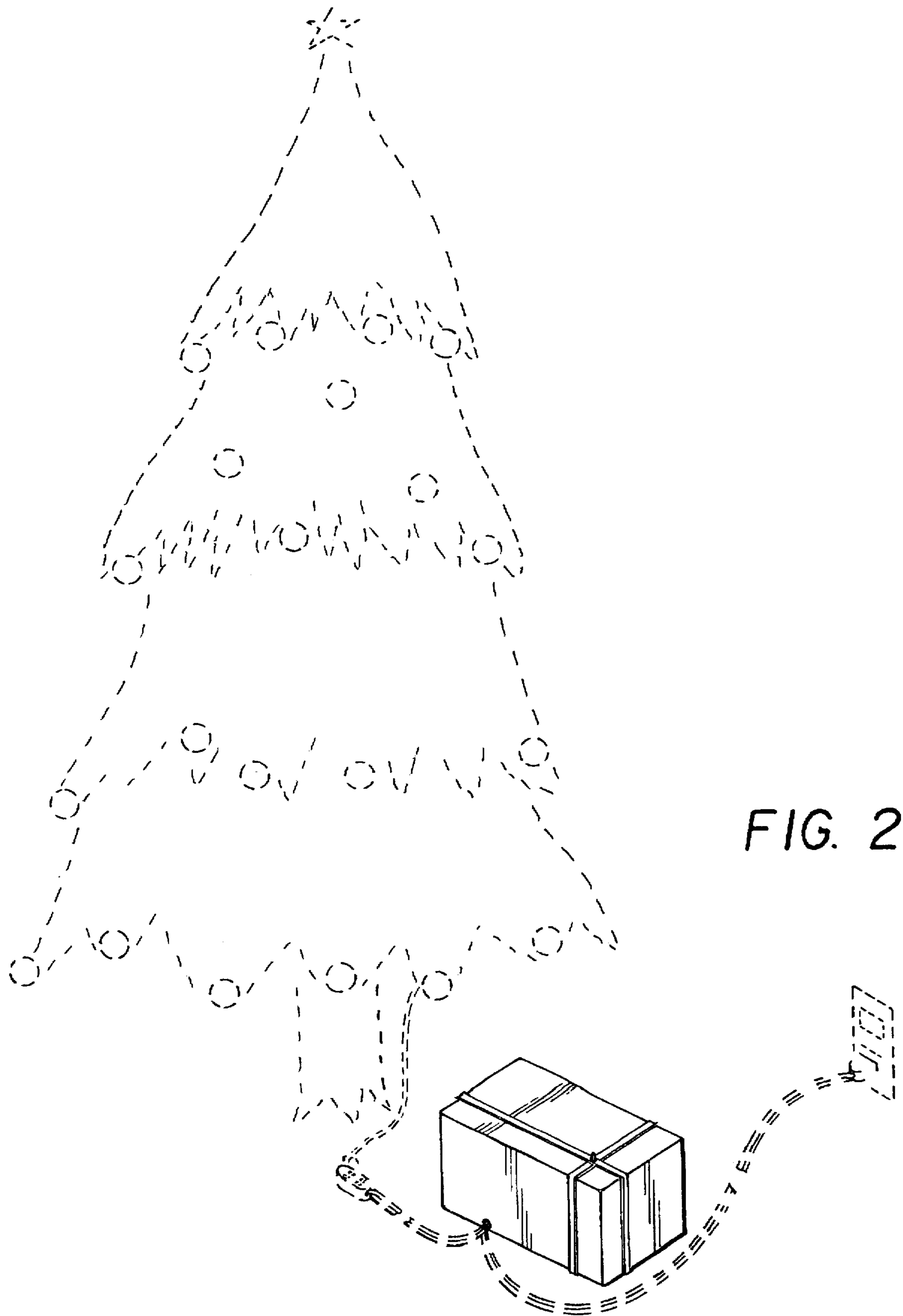


FIG. 1



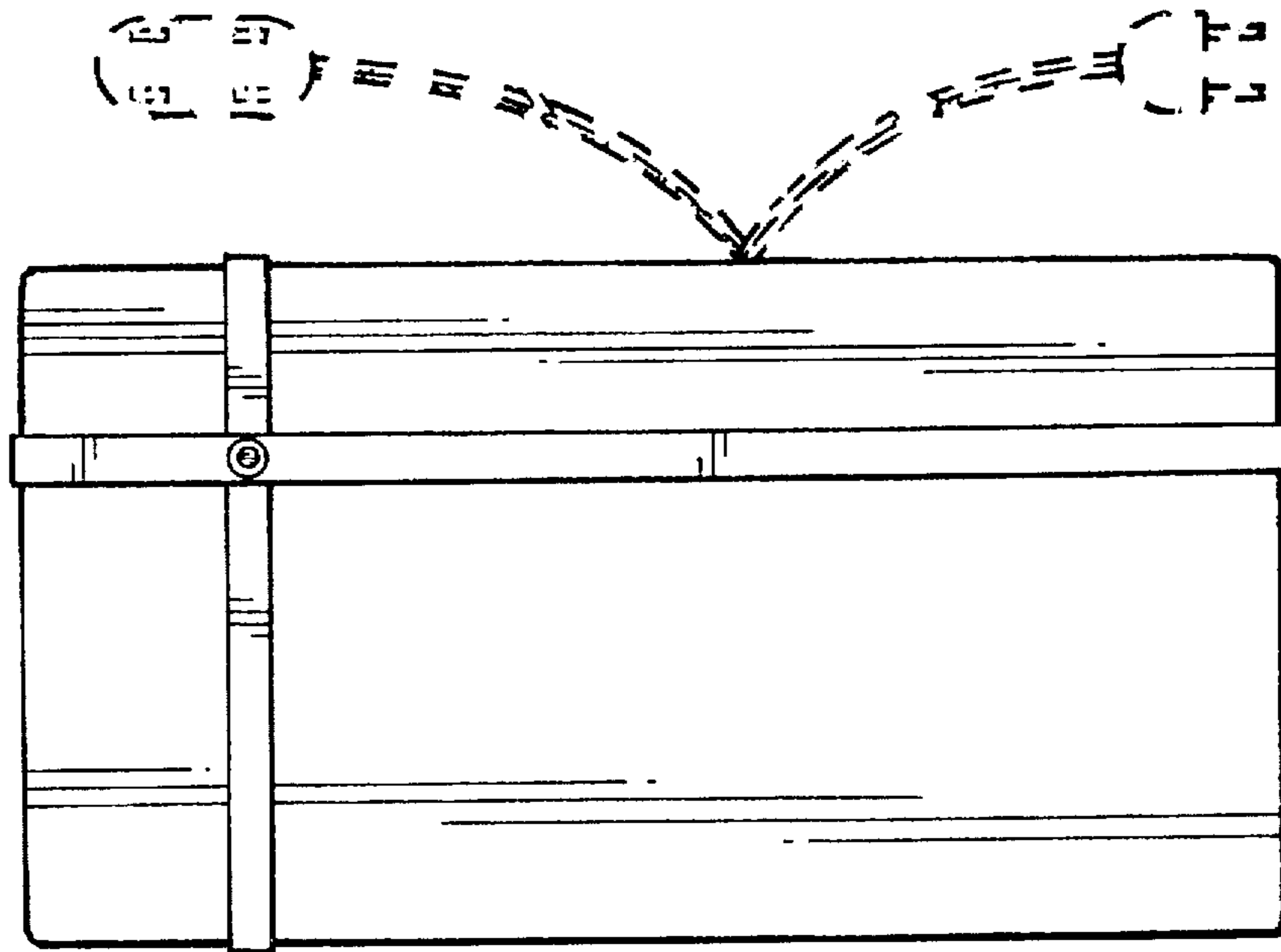


FIG. 4

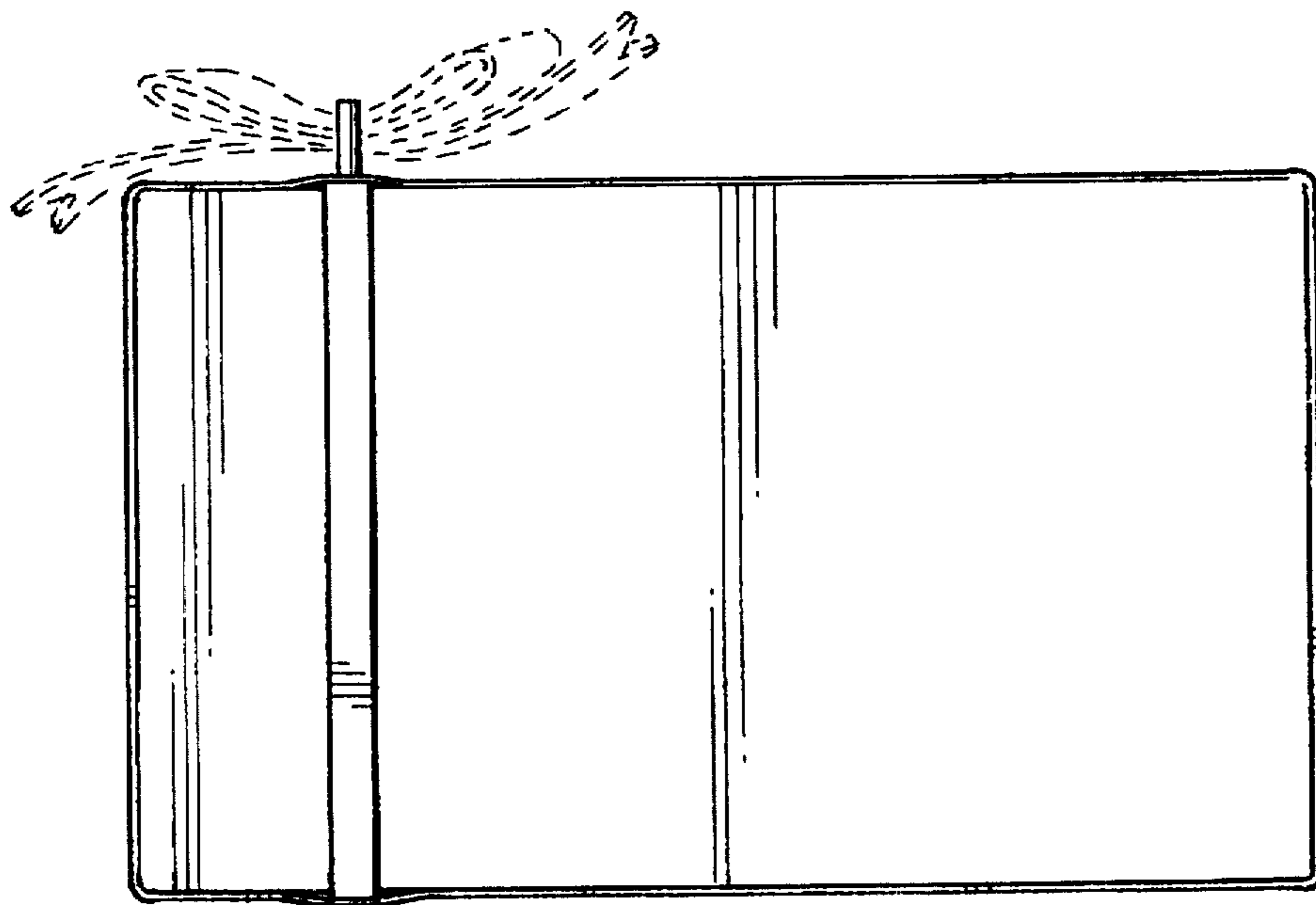


FIG. 3

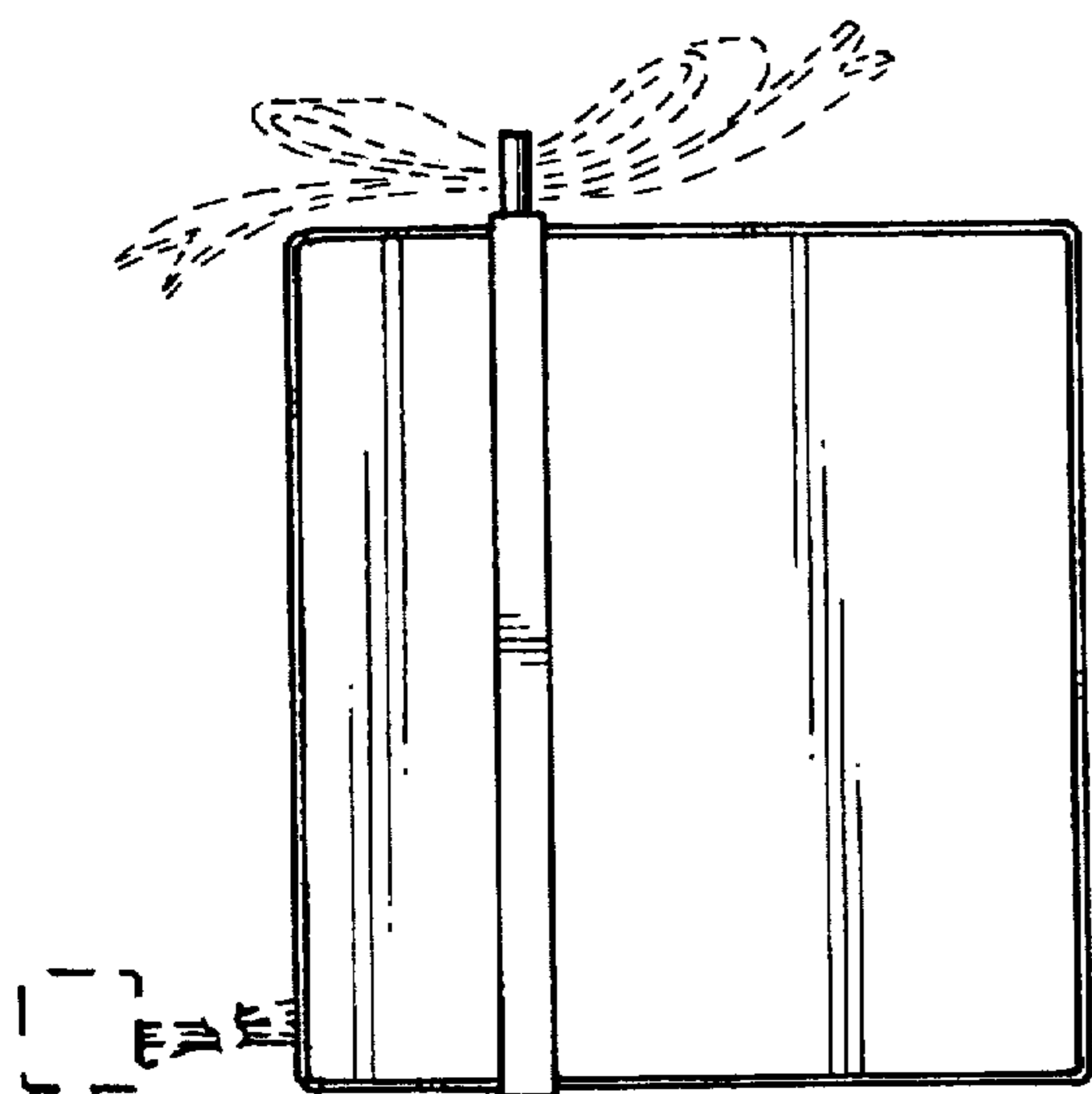


FIG. 5

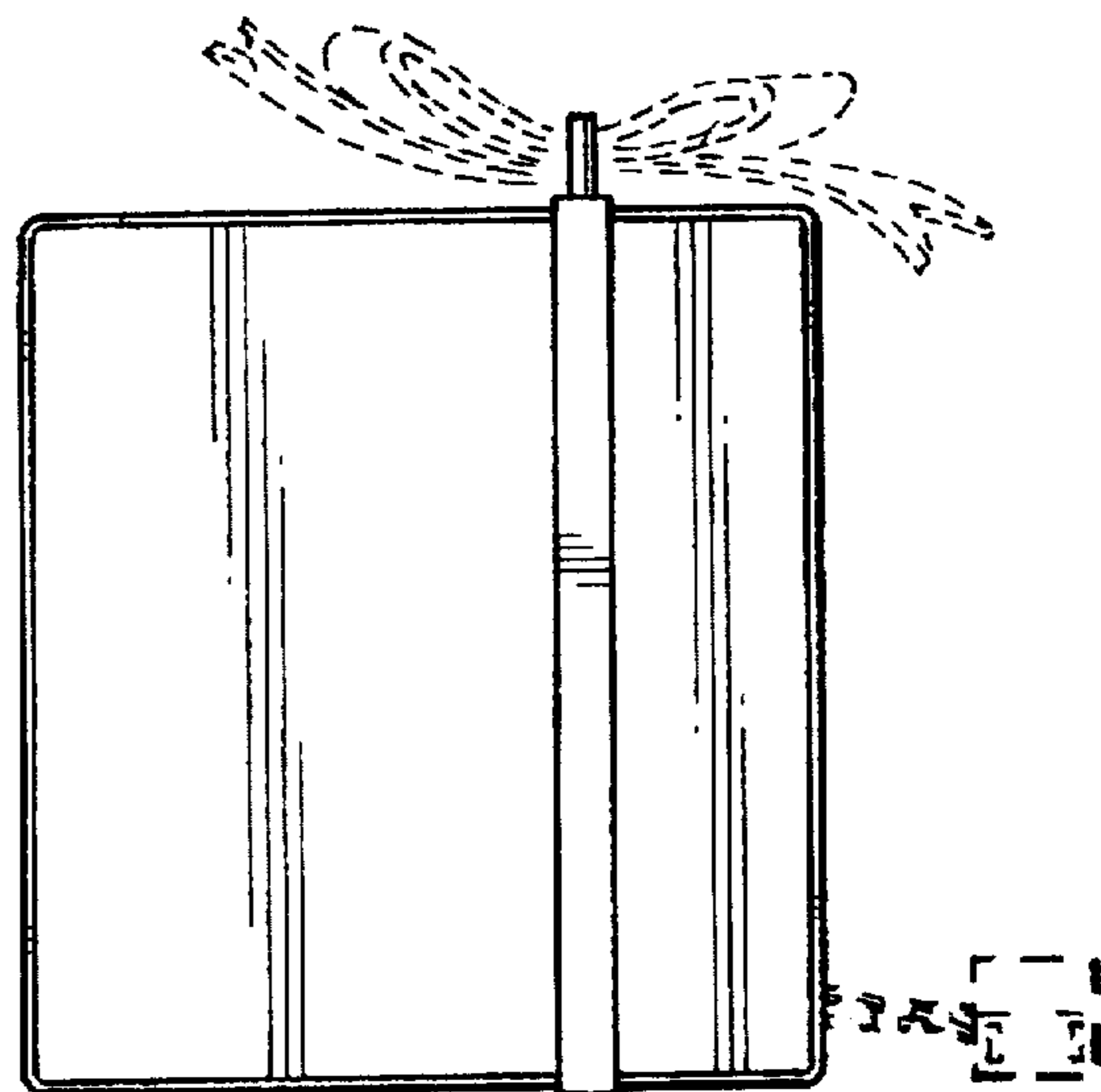


FIG. 6

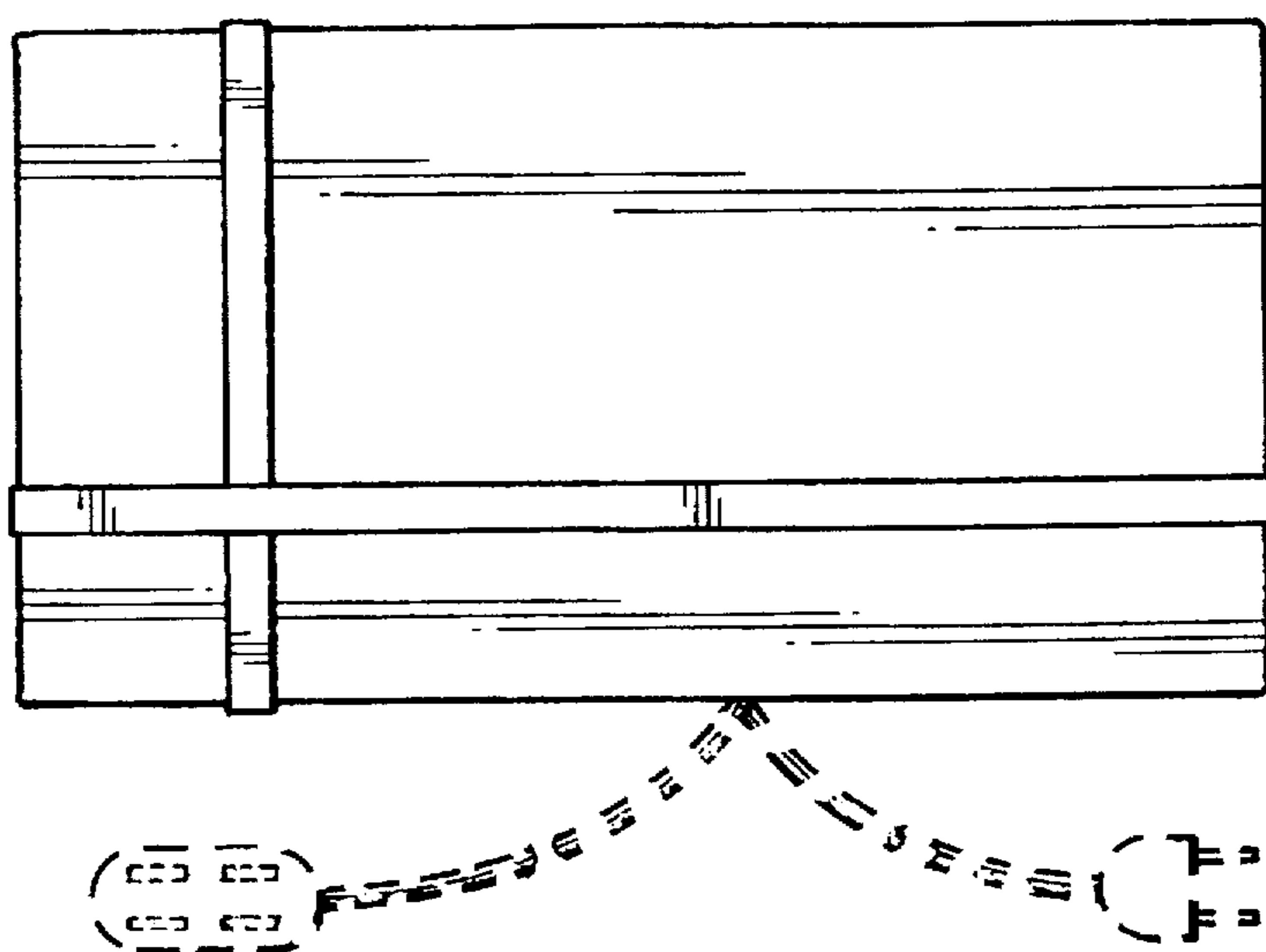


FIG. 7

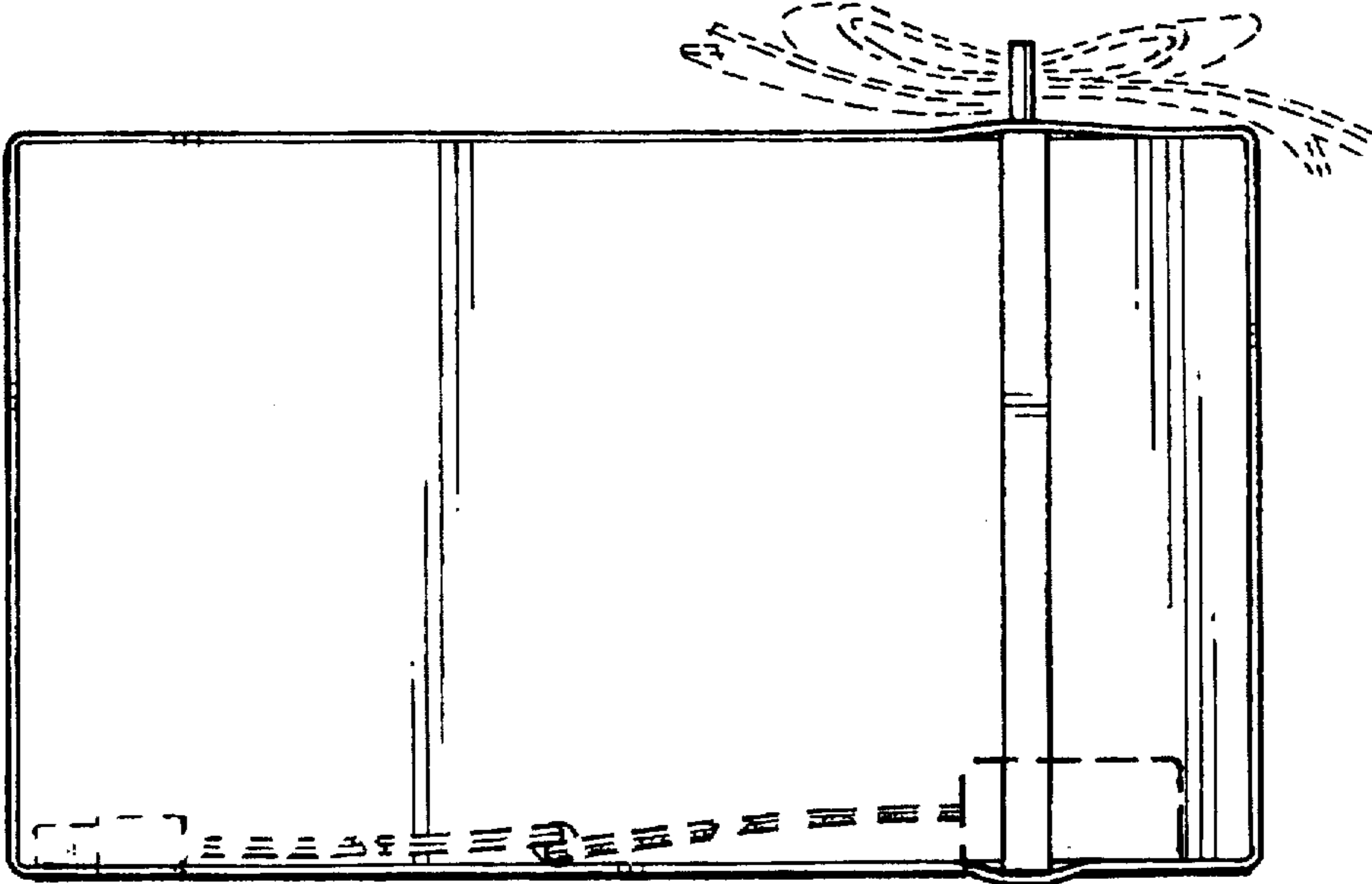


FIG. 8