



US00D388768S

United States Patent [19]
Cheng

[11] **Patent Number:** **Des. 388,768**
[45] **Date of Patent:** ****Jan. 6, 1998**

[54] **ADAPTER**

D. 367,039 2/1996 Loh D13/147
3,482,201 12/1969 Schneck 439/631

[76] **Inventor:** **Yu-feng Cheng**, No. 7, Fuhsing St.,
Tucheng Ind. Dist., Tucheng City,
Taipei Hsien, Taiwan

Primary Examiner—Alan P. Douglas
Assistant Examiner—Lavone D. Tabor
Attorney, Agent, or Firm—Kolisch, Hartwell, Dickinson,
McCormack & Heuser

[**] **Term:** **14 Years**

[57] **CLAIM**

[21] **Appl. No.:** **56,971**

The ornamental design for an adapter, as shown.

[22] **Filed:** **Jul. 12, 1996**

DESCRIPTION

[51] **LOC (6) Cl.** **13-03**

[52] **U.S. Cl.** **D13/147**

[58] **Field of Search** D13/133, 146,
D13/147; 439/101, 108, 607-610, 628,
631, 620, 650, 654, 660, 668, 682, 687,
692, 638

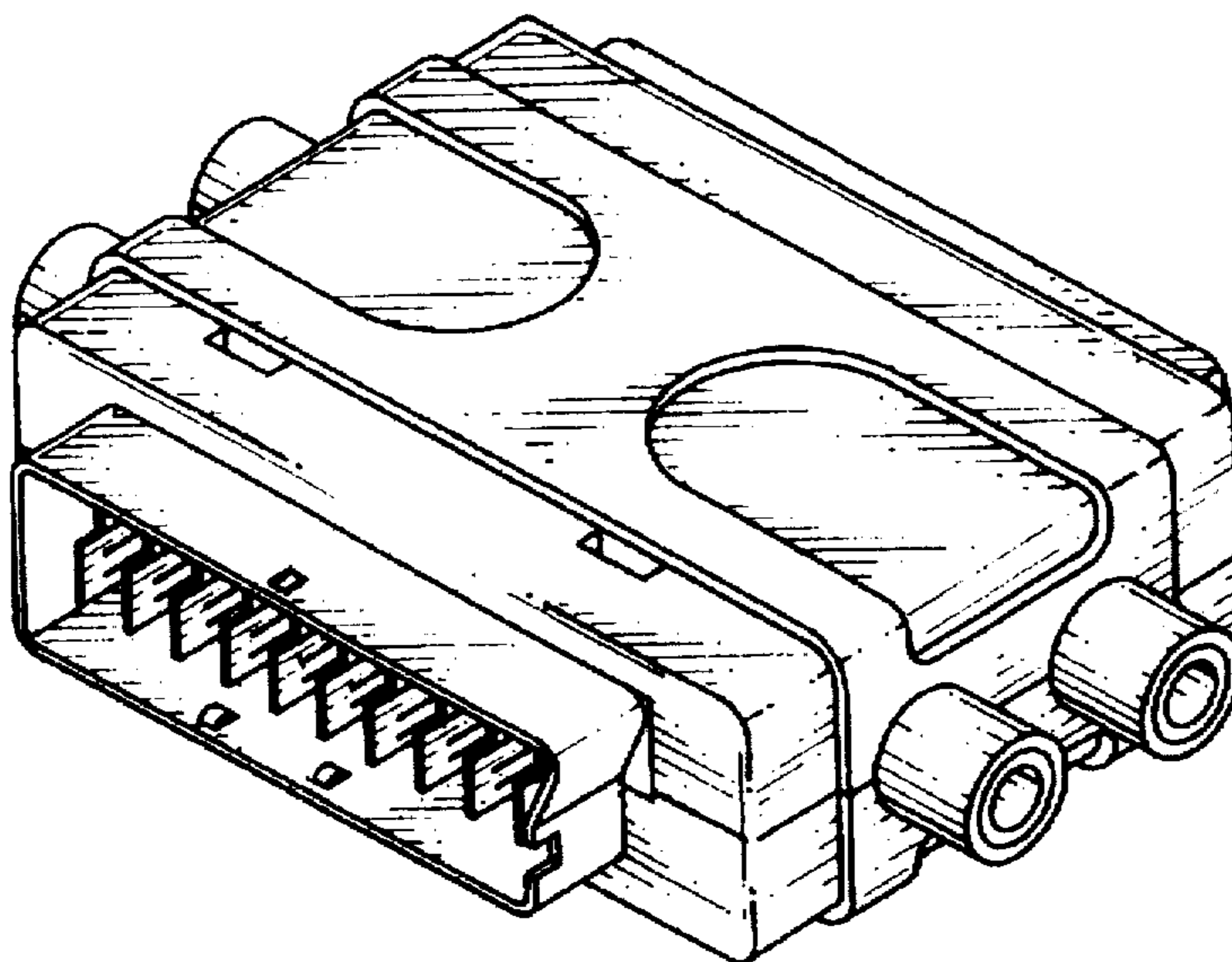
FIG. 1 is a perspective view from the front, top and right side
of an adapter showing my new design;
FIG. 2 is a front view thereof;
FIG. 3 is a rear view thereof;
FIG. 4 is a left side elevational view thereof;
FIG. 5 is a right side elevational view thereof;
FIG. 6 is a top plan view thereof; and,
FIG. 7 is a bottom plan view thereof.

[56] **References Cited**

U.S. PATENT DOCUMENTS

D. 333,460 2/1993 Huang D13/147

1 Claim, 2 Drawing Sheets



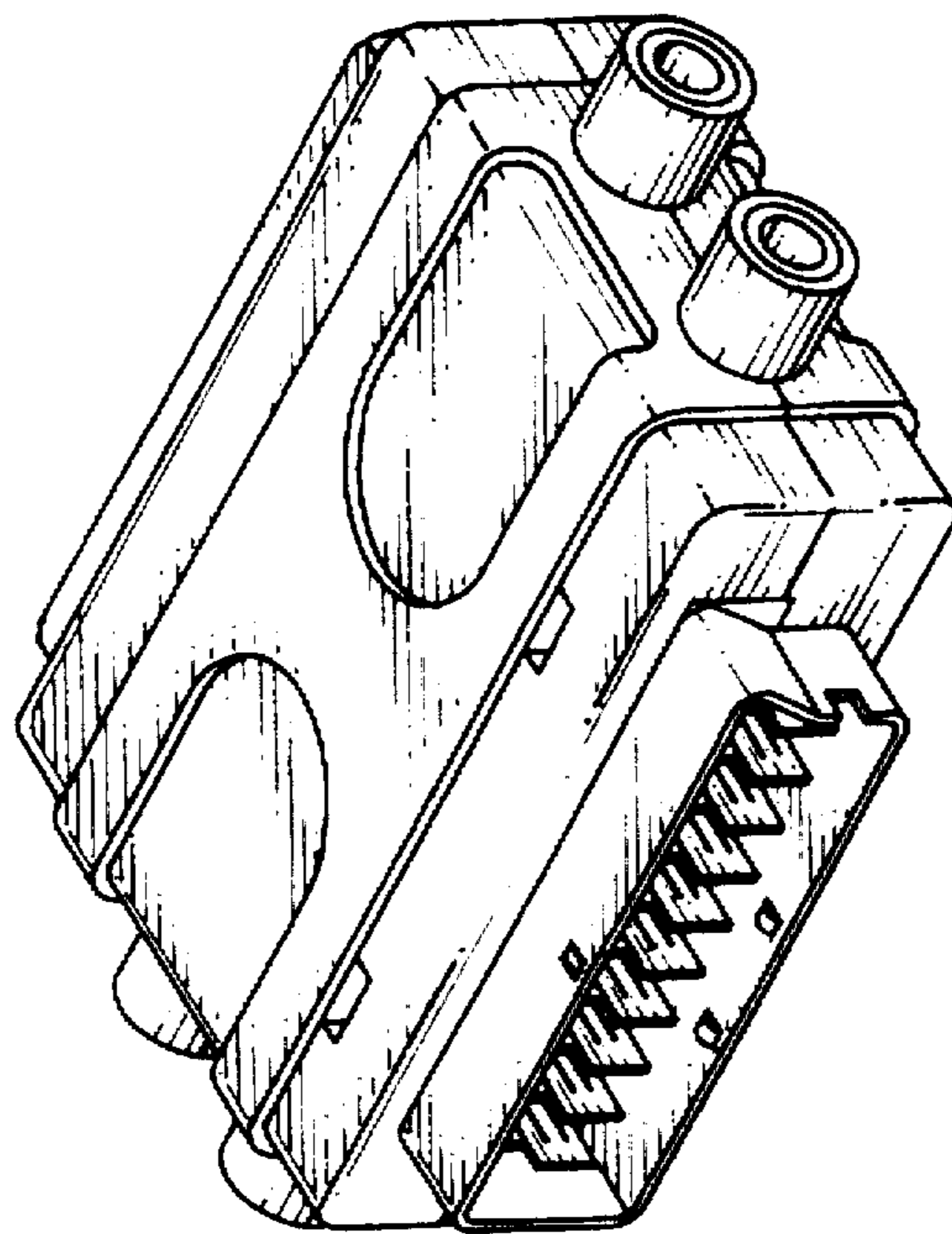


FIG. 1

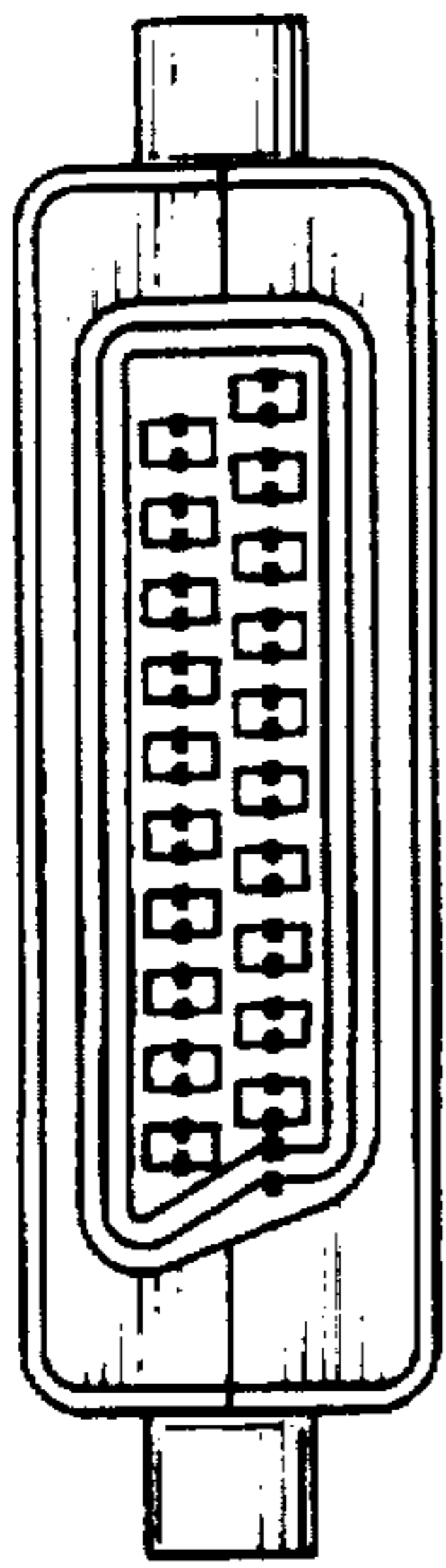


FIG. 3

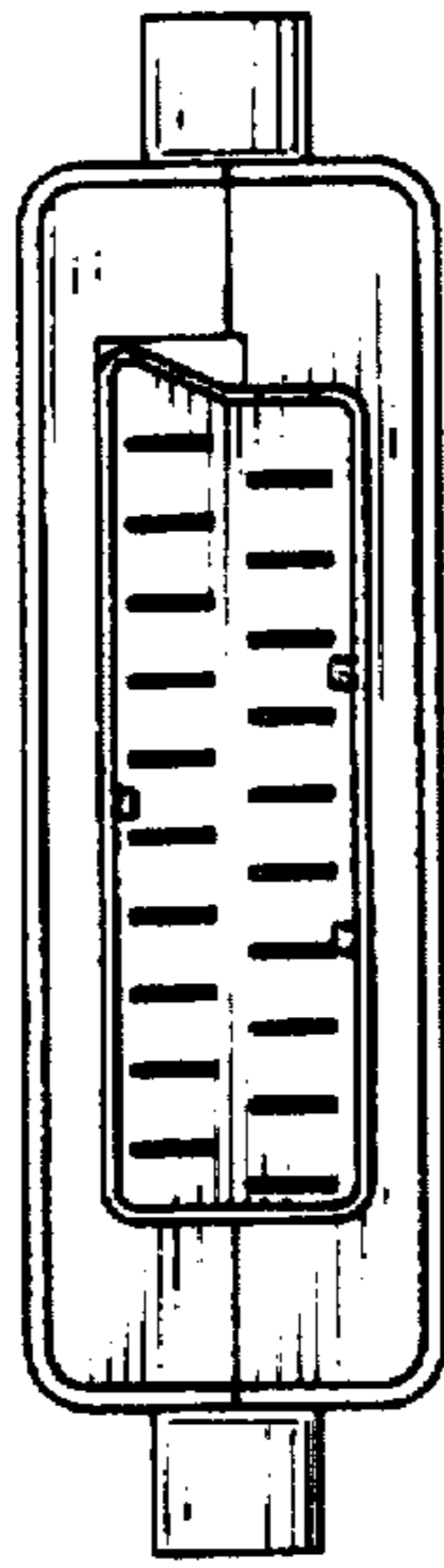


FIG. 2

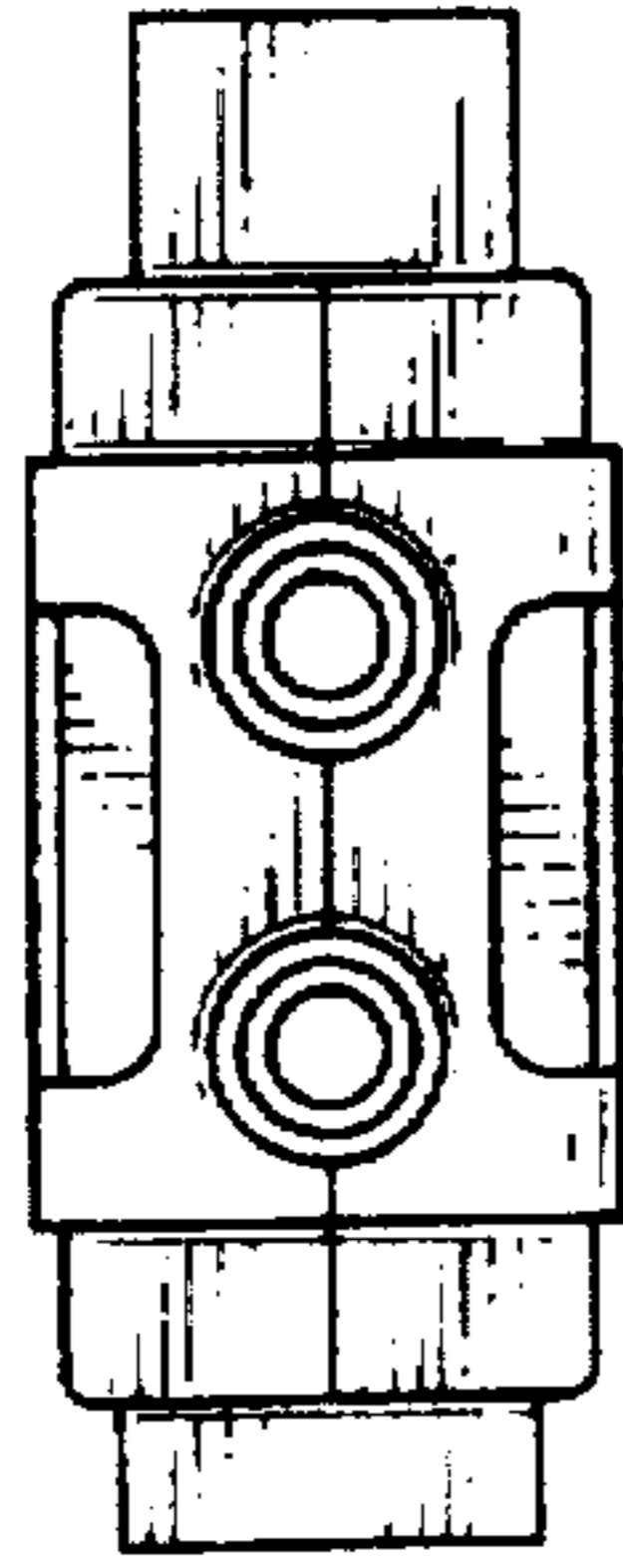


FIG. 4

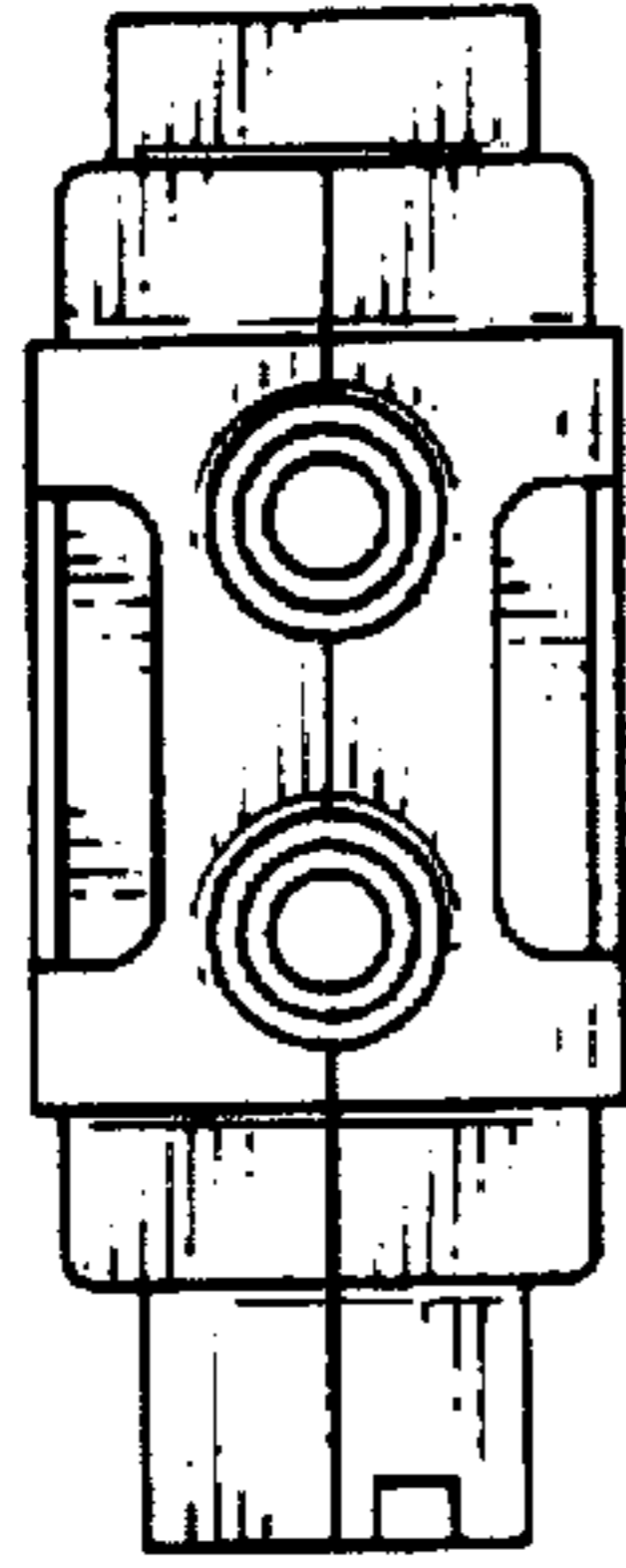


FIG. 5

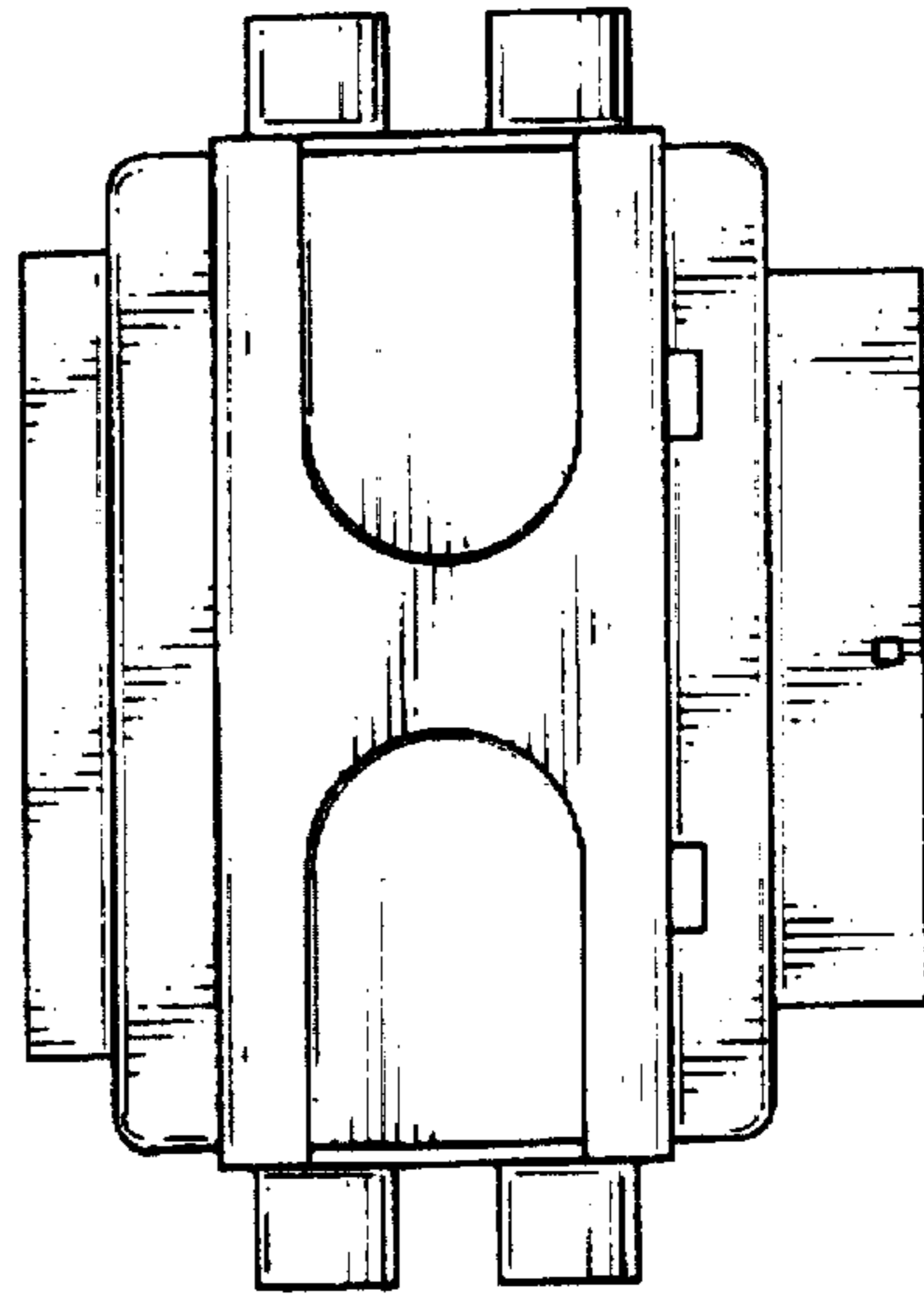


FIG. 6

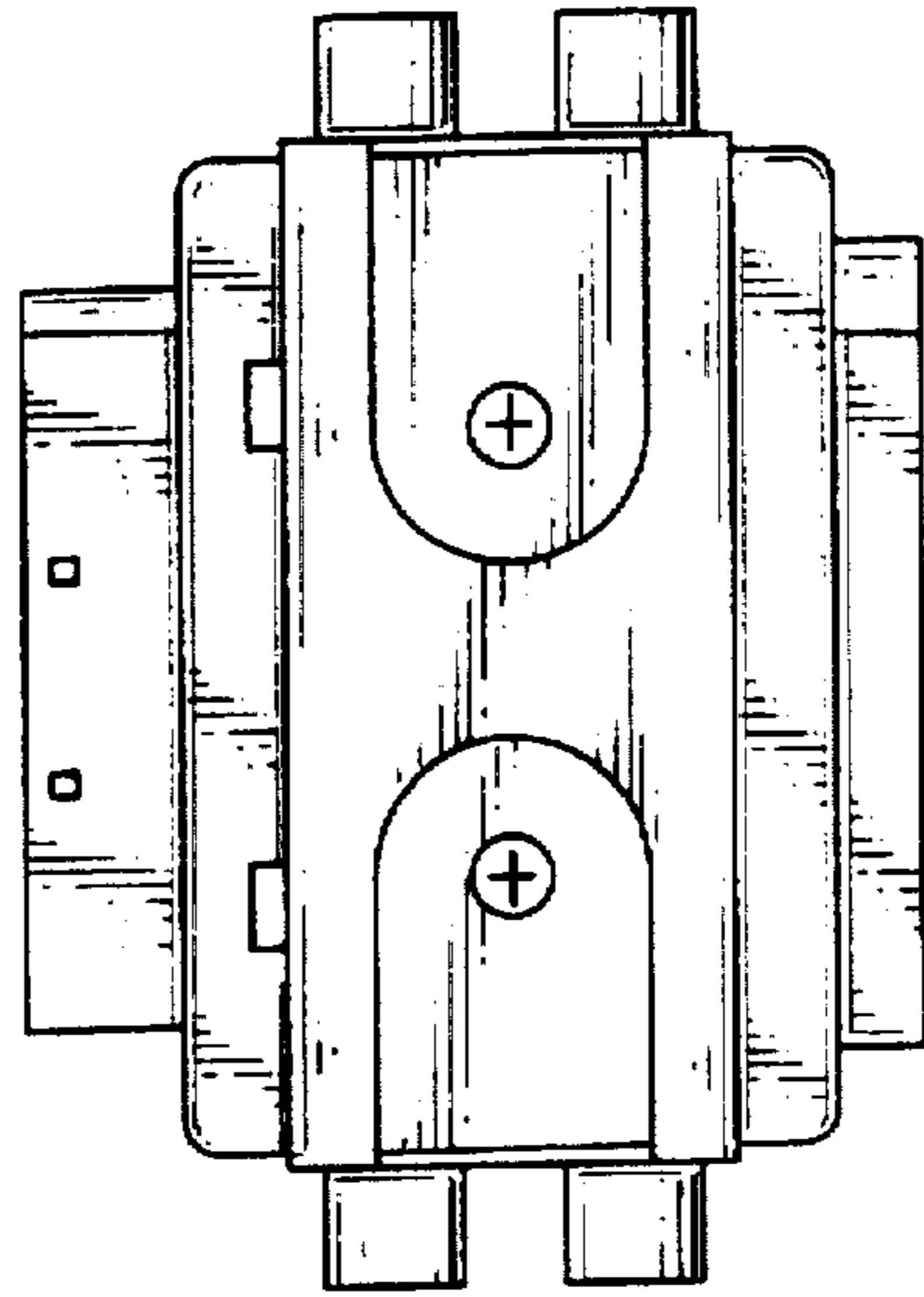


FIG. 7