



US00D388767S

# United States Patent [19] Akins

[11] Patent Number: **Des. 388,767**  
[45] Date of Patent: **\*\*Jan. 6, 1998**

[54] **FIBER OPTIC CONNECTOR**

5,287,425 2/1994 Chang .  
5,381,498 1/1995 Bylander .

[75] Inventor: **Richard L. Akins, Wheaton, Ill.**

*Primary Examiner*—Alan P. Douglas  
*Assistant Examiner*—Lavone D. Tabor  
*Attorney, Agent, or Firm*—Mark D. Hilliard; Robert A. McCann

[73] Assignee: **Panduit Corp., Tinley Park, Ill.**

[\*\*] Term: **14 Years**

[57] **CLAIM**

[21] Appl. No.: **59,691**

The ornamental design for a fiber optic connector, as shown and described.

[22] Filed: **Jun. 24, 1996**

[51] LOC (6) Cl. .... **13-03**

[52] U.S. Cl. .... **D13/133**

[58] **Field of Search** ..... D13/133, 146,  
D13/147; D14/256; 385/53-56, 60, 75-78;  
439/350, 352, 607-610, 668, 669, 672,  
682, 650, 660, 586, 595-597

**DESCRIPTION**

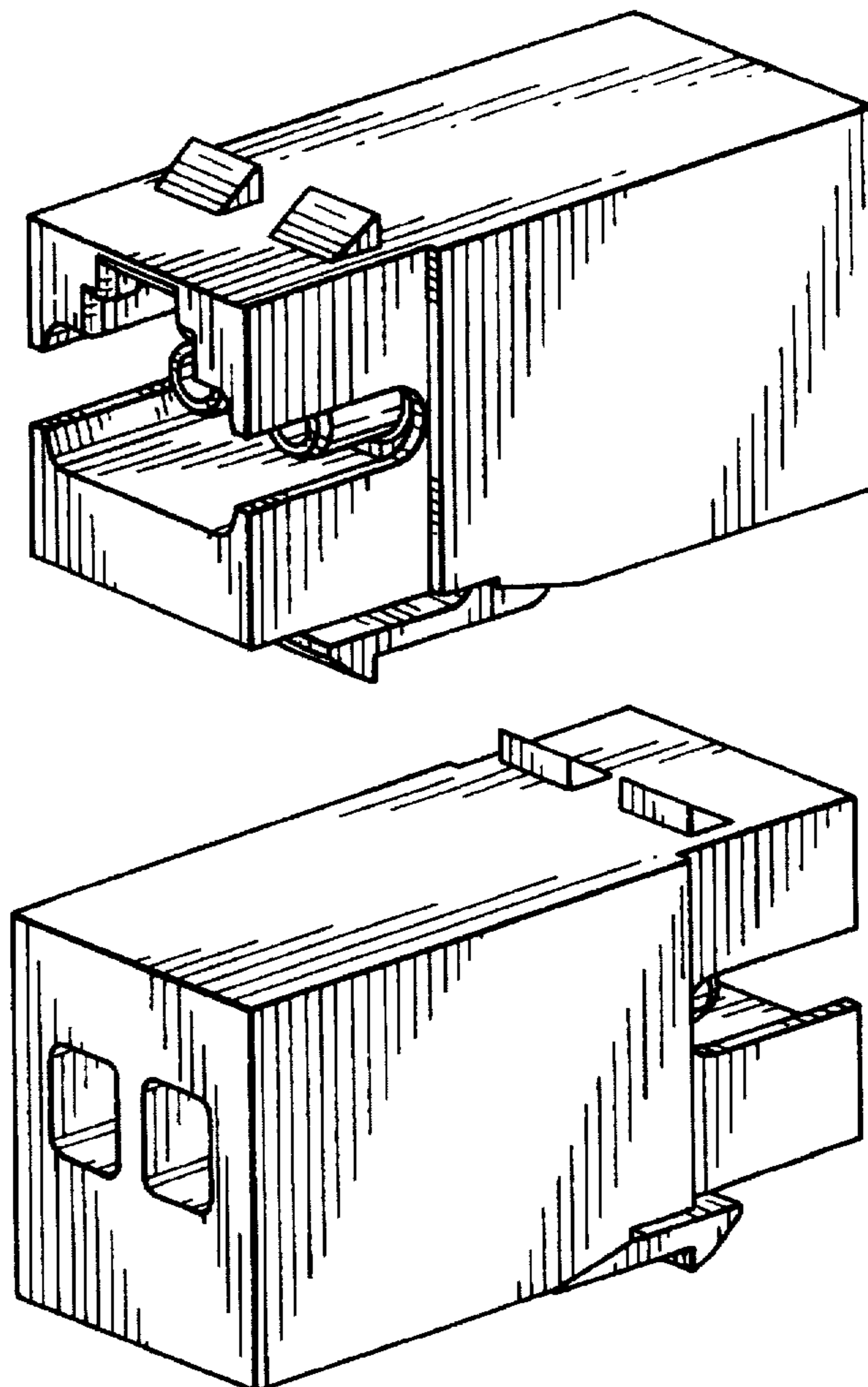
FIG. 1 is a front perspective view from the top side of the fiber optic connector showing our new design;  
FIG. 2 is a rear perspective view from the top side of the fiber optic connector of FIG. 1;  
FIG. 3 is a front perspective view from the bottom side of the fiber optic connector of FIG. 1;  
FIG. 4 is a front elevational view thereof;  
FIG. 5 is a rear elevational view thereof;  
FIG. 6 is a side elevational view, the opposite side is a mirror image;  
FIG. 7 is a top plan view thereof; and,  
FIG. 8 is a bottom plan view thereof.

[56] **References Cited**

**U.S. PATENT DOCUMENTS**

4,261,633	4/1981	Abemethy .	
4,762,388	8/1988	Tanaka et al. ....	385/60 X
4,872,736	10/1989	Myers et al. ....	385/60
4,904,209	2/1990	Nelson .	
5,118,310	6/1992	Stroede et al. .	
5,274,729	12/1993	King et al. ....	385/53 X

**1 Claim, 3 Drawing Sheets**



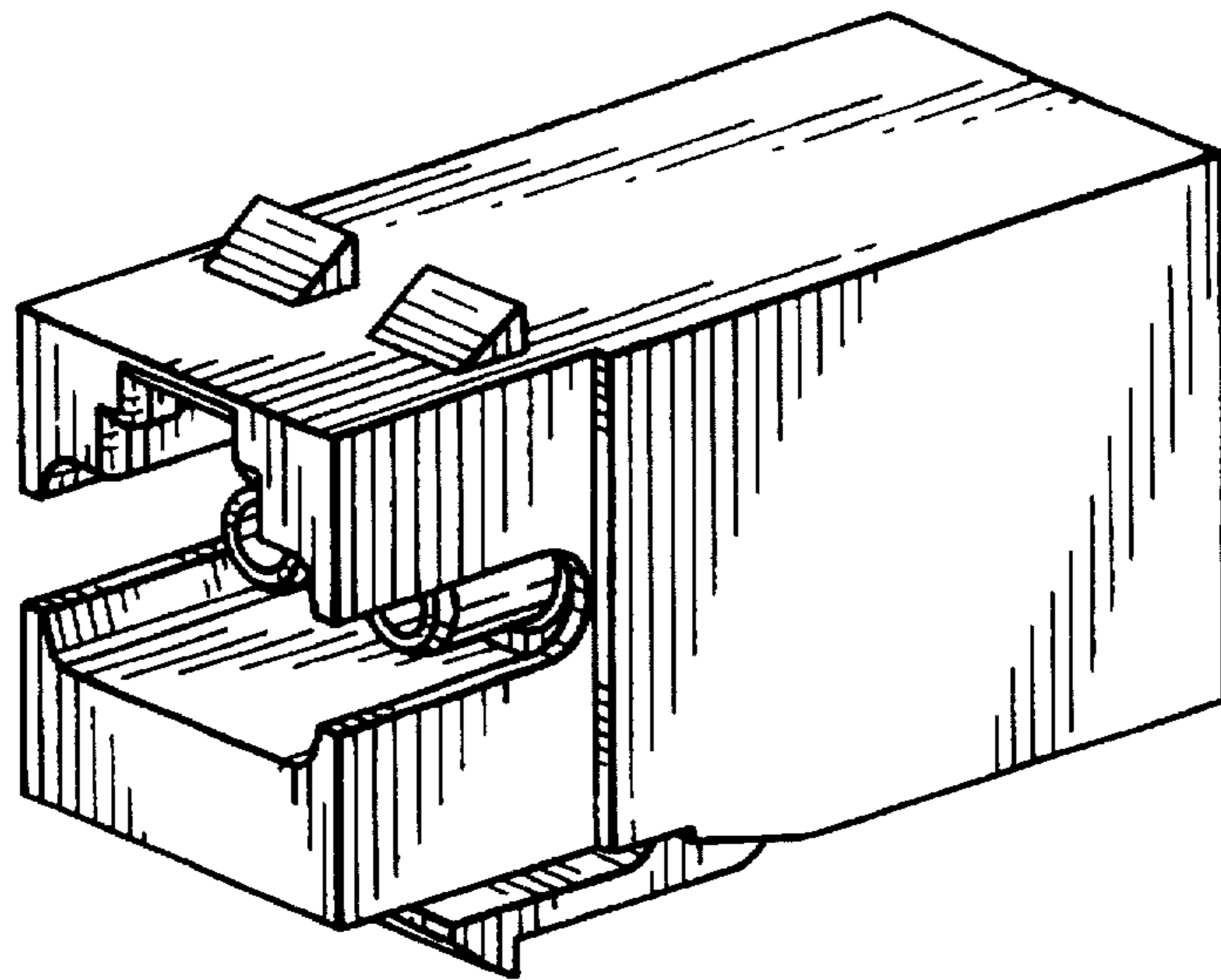


FIG. 1

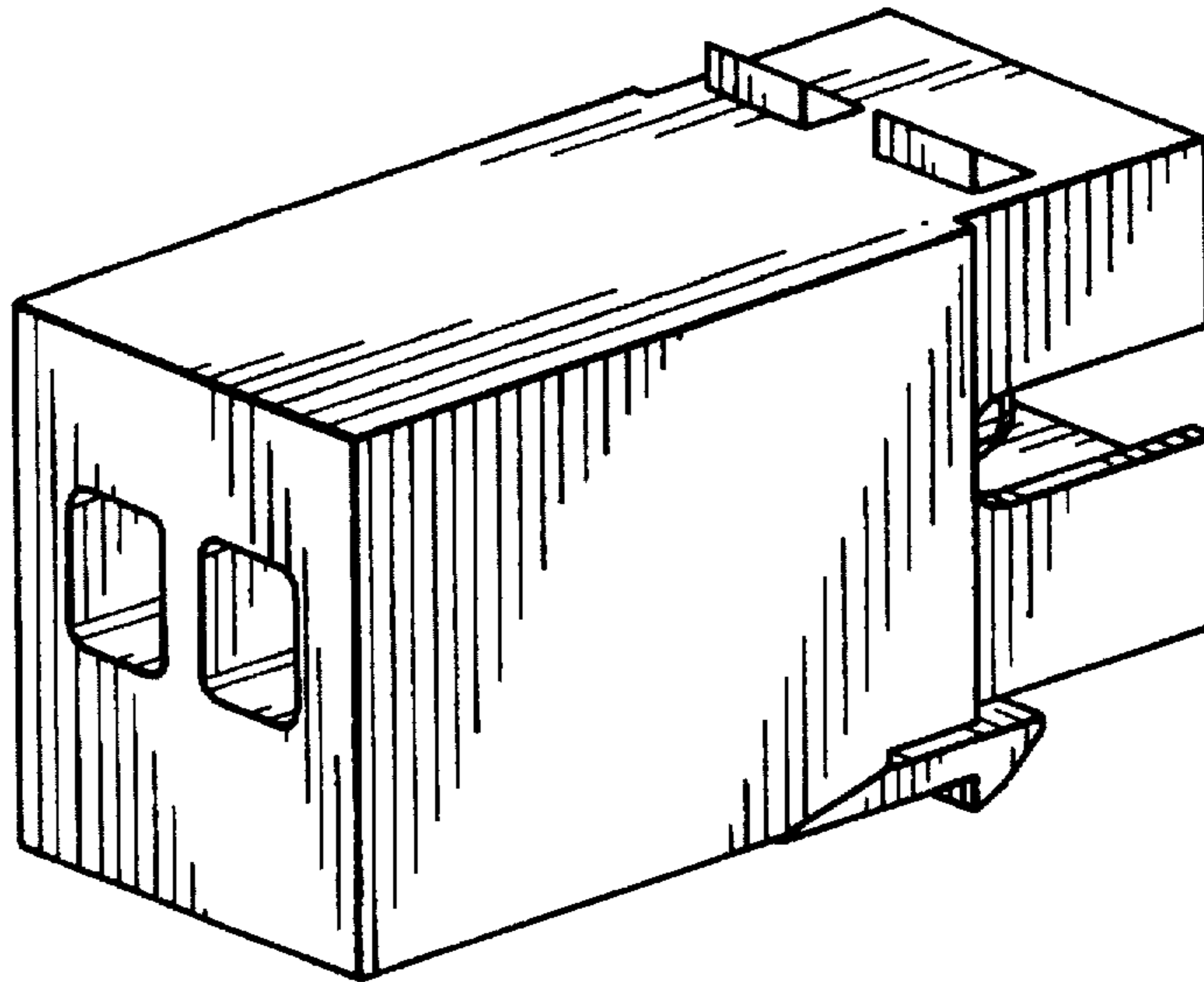


FIG. 2

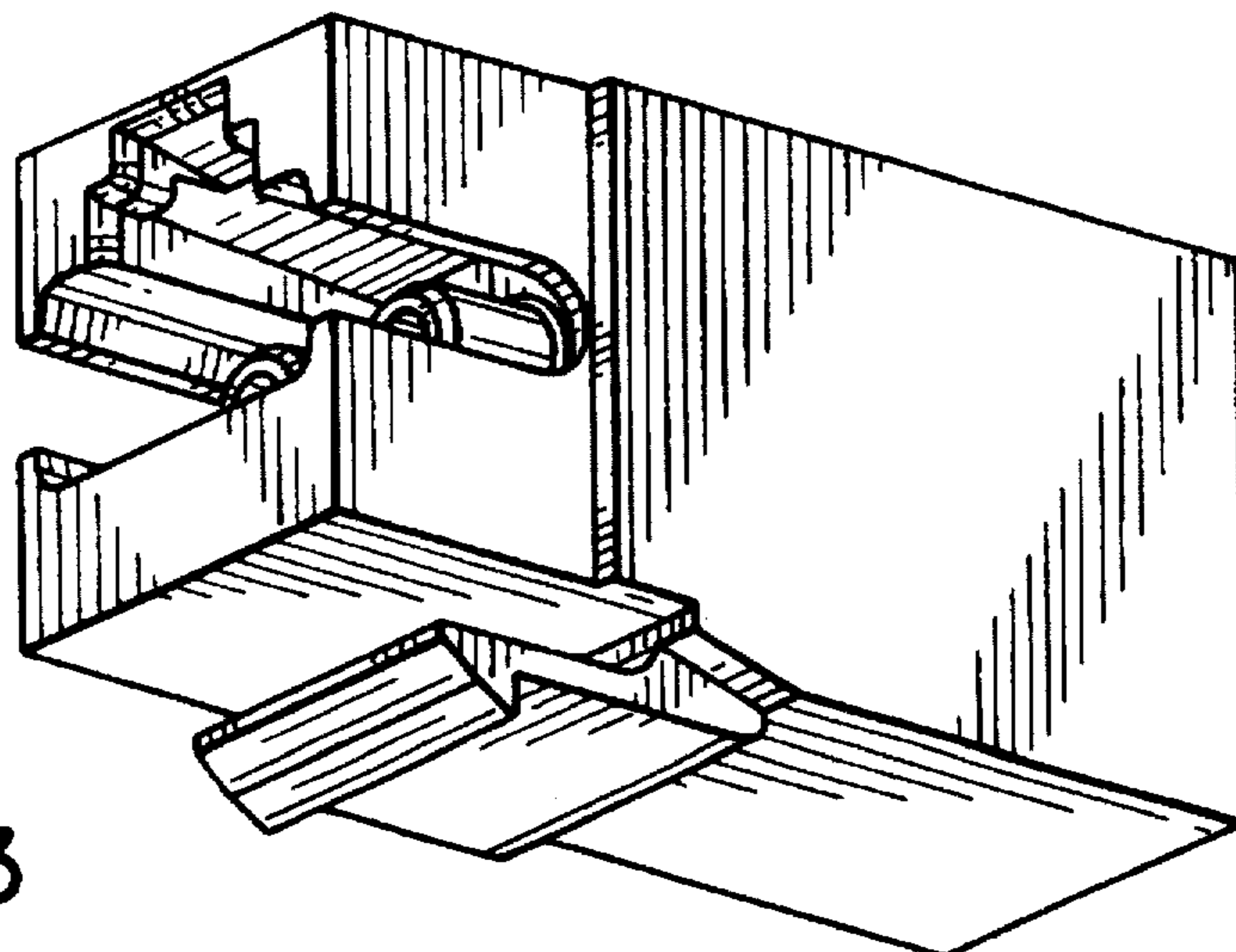


FIG. 3

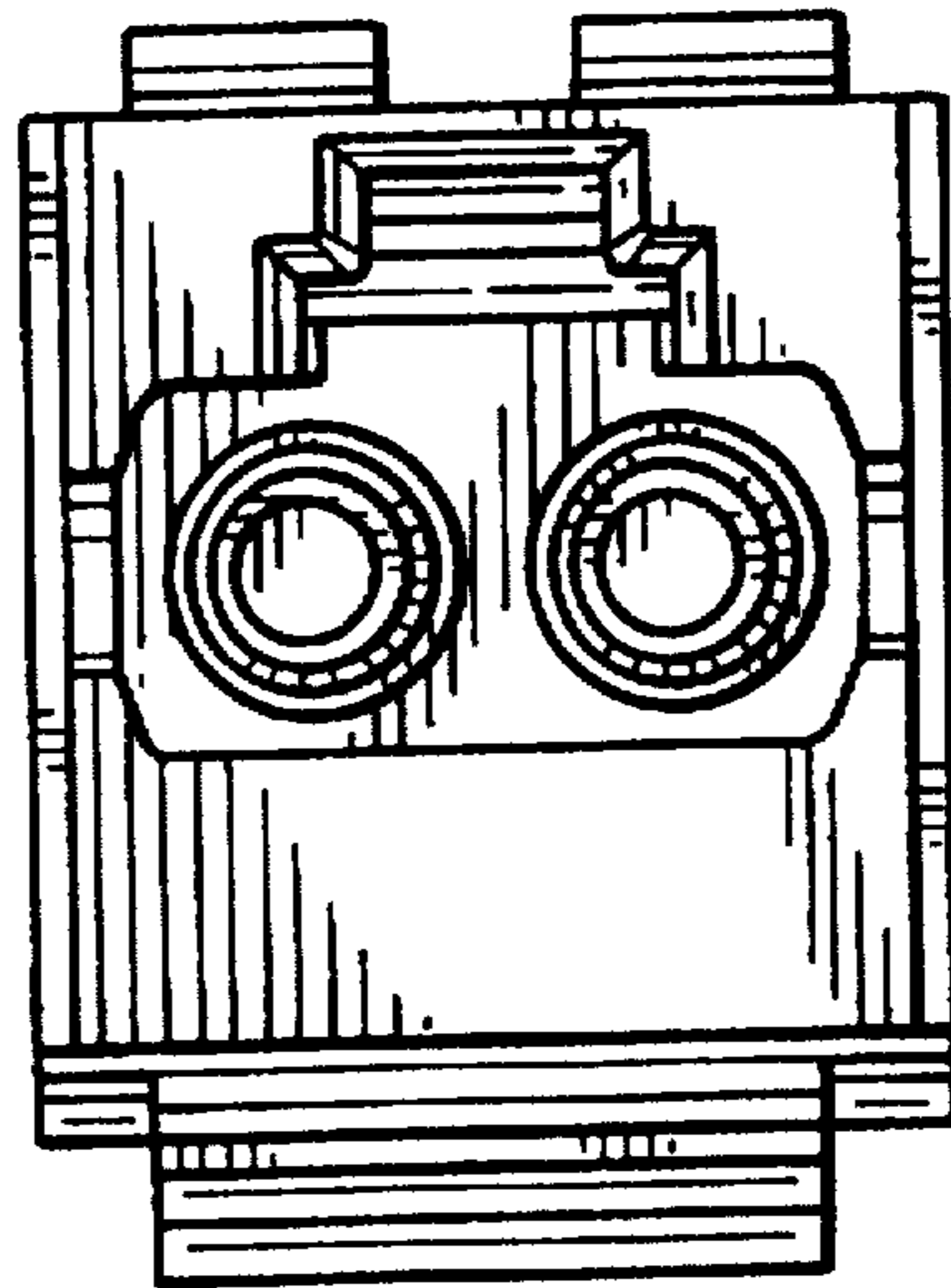


FIG. 4

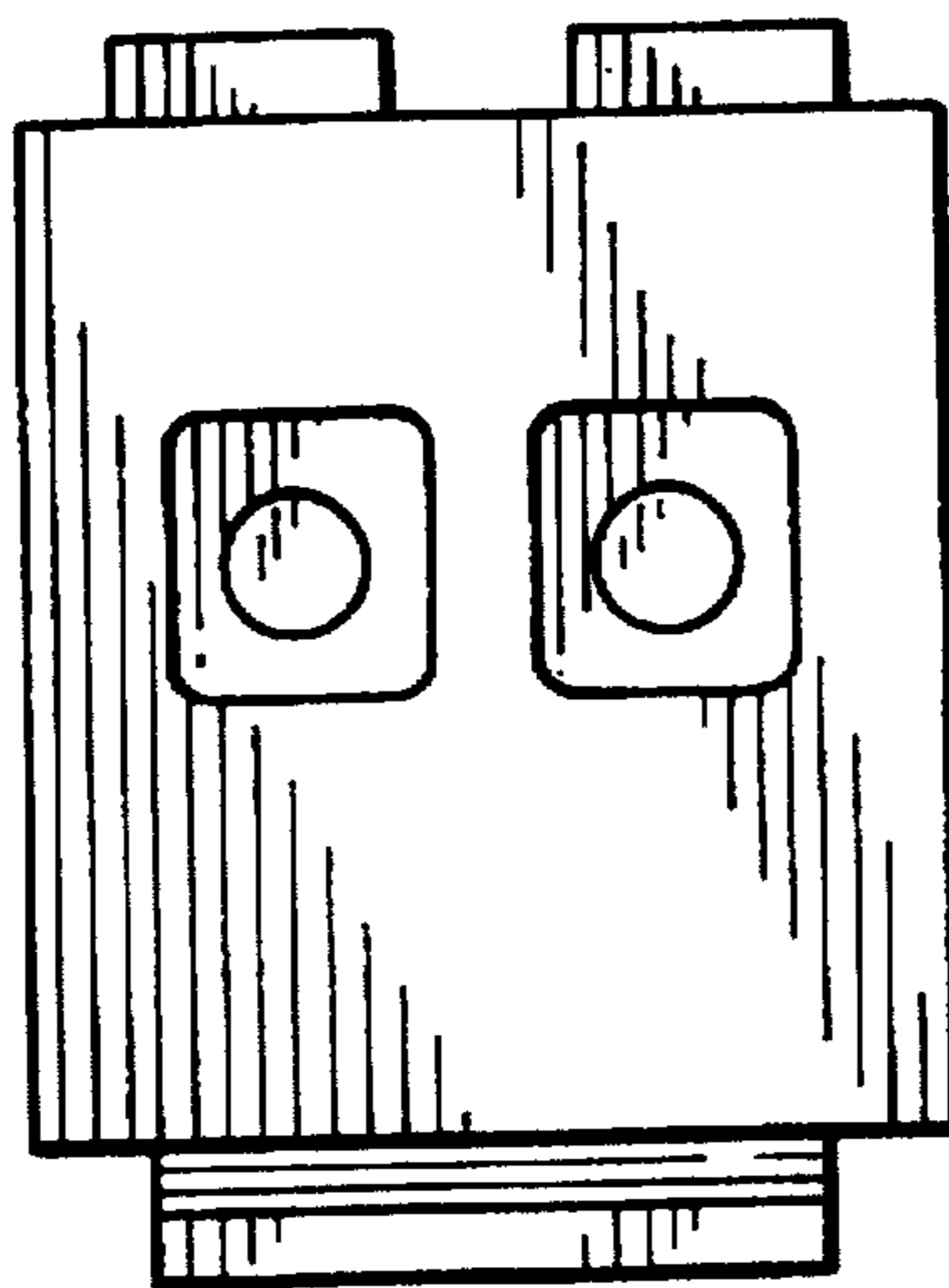


FIG. 5

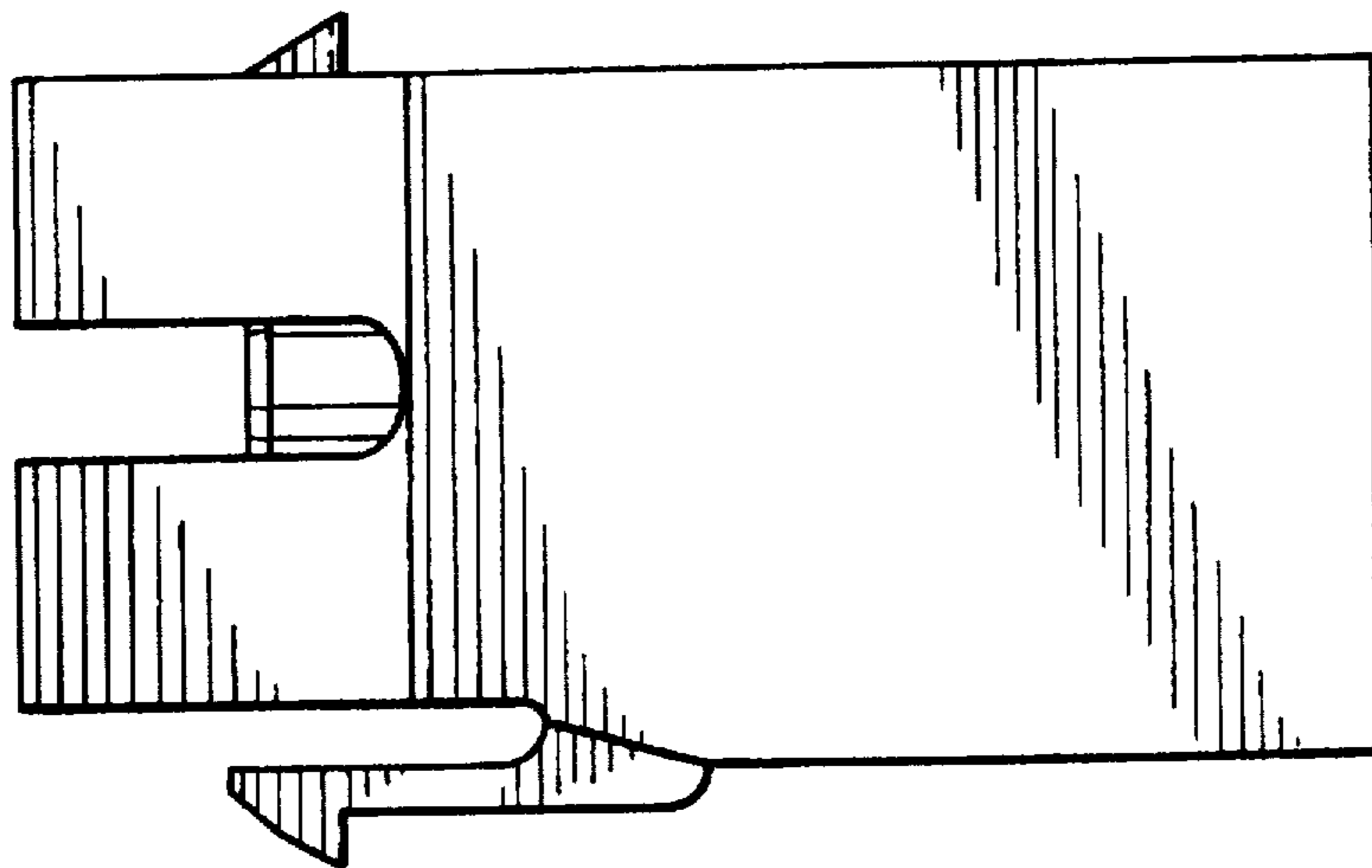


FIG. 6

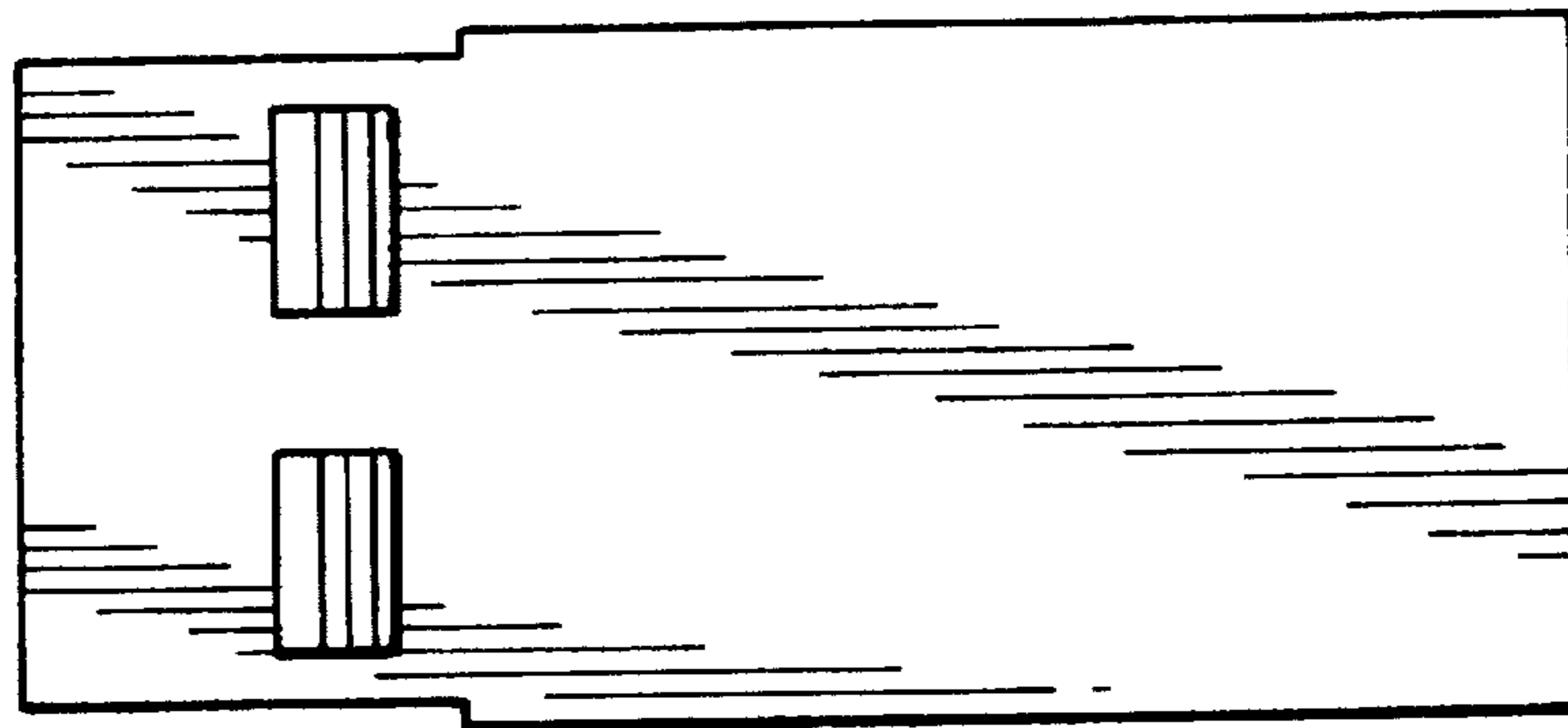


FIG. 7

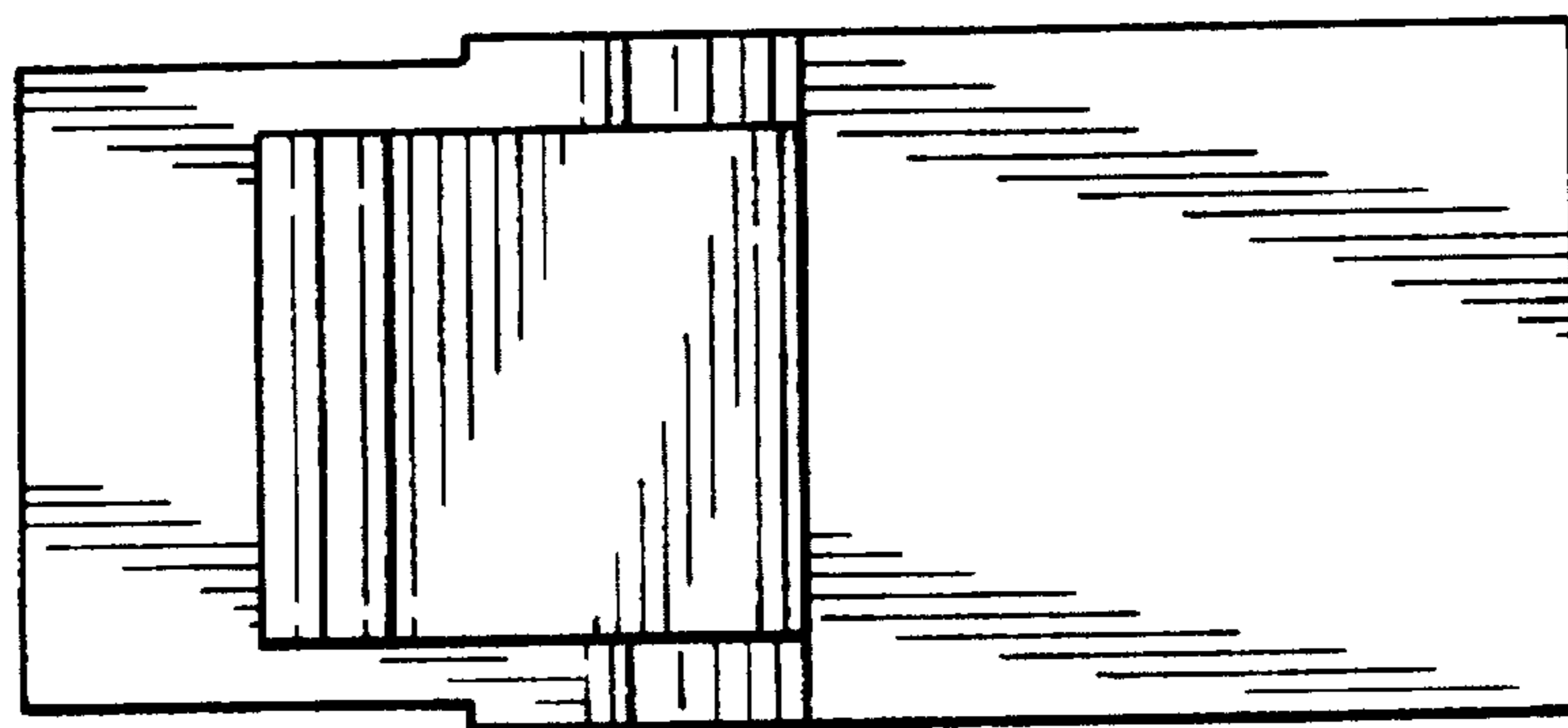


FIG. 8