



US00D388766S

United States Patent [19]

Kuprewicz et al.

[11] Patent Number: **Des. 388,766**

[45] Date of Patent: ****Jan. 6, 1998**

[54] **FIBER OPTIC CONNECTOR PLUG**

[75] Inventors: **Ralph J. Kuprewicz**, Norridge;
Randall D. Gritters, Lansing; **Richard L. Akins**, Wheaton, all of Ill.

[73] Assignee: **Panduit Corp.**, Tinley Park, Ill.

[**] Term: **14 Years**

[21] Appl. No.: **52,915**

[22] Filed: **Apr. 8, 1996**

[51] LOC (6) Cl. **13-03**

[52] U.S. Cl. **D13/133**

[58] Field of Search **D13/133, 138,**
D13/146, 147; 439/350, 352, 586, 595-598,
607-610, 668, 669, 682; 385/53-56, 60,
75-78

[56] **References Cited**

U.S. PATENT DOCUMENTS

D. 252,682	8/1979	Berglund et al.	D13/133
D. 253,409	11/1979	Voelkert	D13/133
D. 293,313	12/1987	Justiano et al.	D13/133
4,291,943	9/1981	Binek et al. .	
4,611,887	9/1986	Glover et al. .	
4,872,736	10/1989	Myers et al. .	
4,959,023	9/1990	Watanabe et al.	439/595

4,979,793	12/1990	Bowen et al. .
5,016,968	5/1991	Hammond et al. .
5,287,425	2/1994	Chang .
5,381,498	1/1995	Bylander .

FOREIGN PATENT DOCUMENTS

58-510 4/1983 Japan .

Primary Examiner—Alan P. Douglas
Assistant Examiner—Lavone D. Tabor
Attorney, Agent, or Firm—Mark D. Hilliard; Robert A. McCann

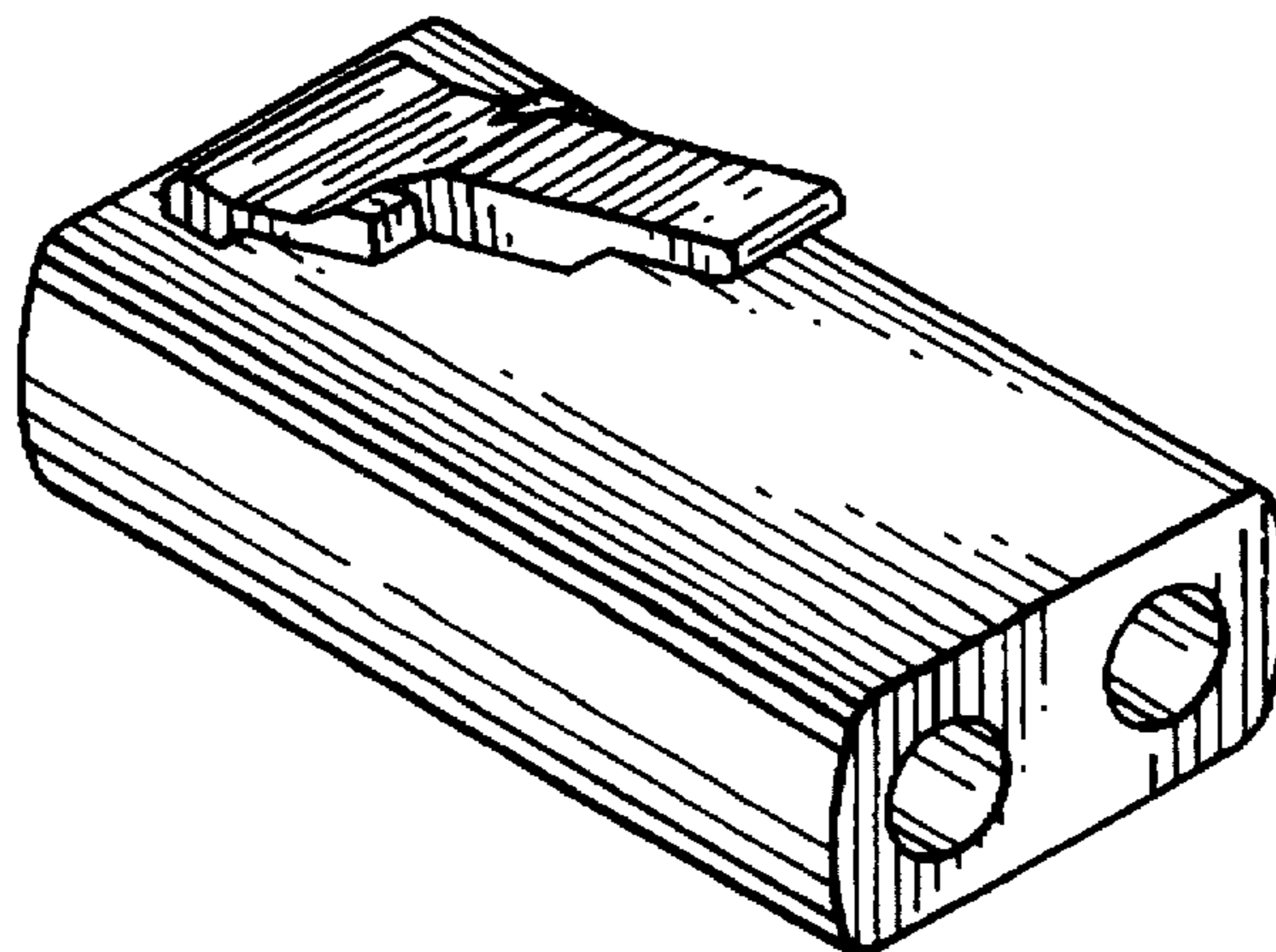
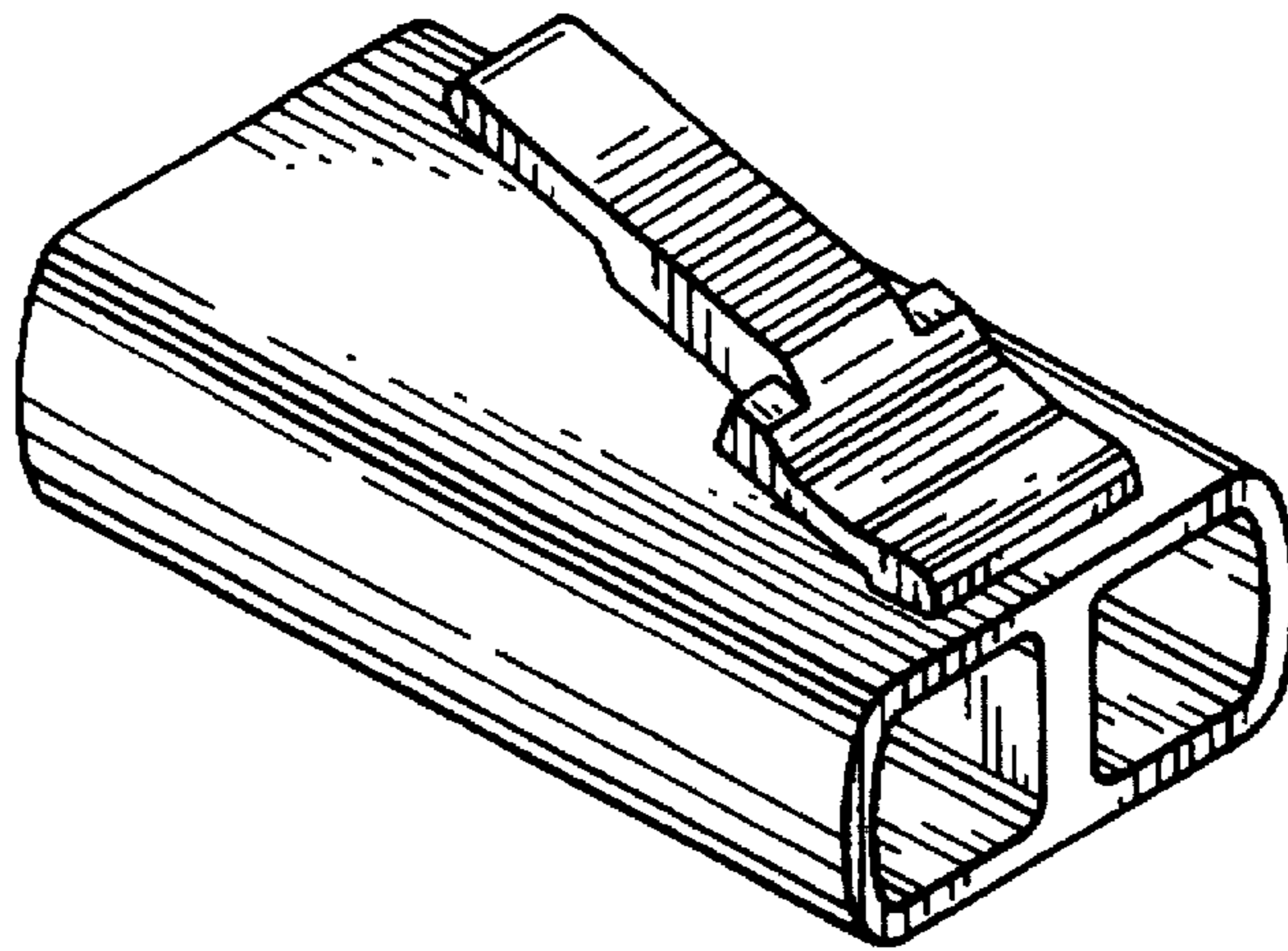
[57] **CLAIM**

The ornamental design for a fiber optic connector plug, as shown and described.

DESCRIPTION

FIG. 1 is a front perspective view of a fiber optic connector plug showing our new design;
FIG. 2 is a rear perspective view of a fiber optic connector plug showing our new design;
FIG. 3 is a front elevational view thereof;
FIG. 4 is a rear elevational view thereof;
FIG. 5 is a side elevational view, the opposite side is a mirror image;
FIG. 6 is a top plan view thereof; and,
FIG. 7 is a bottom elevational view thereof.

1 Claim, 2 Drawing Sheets



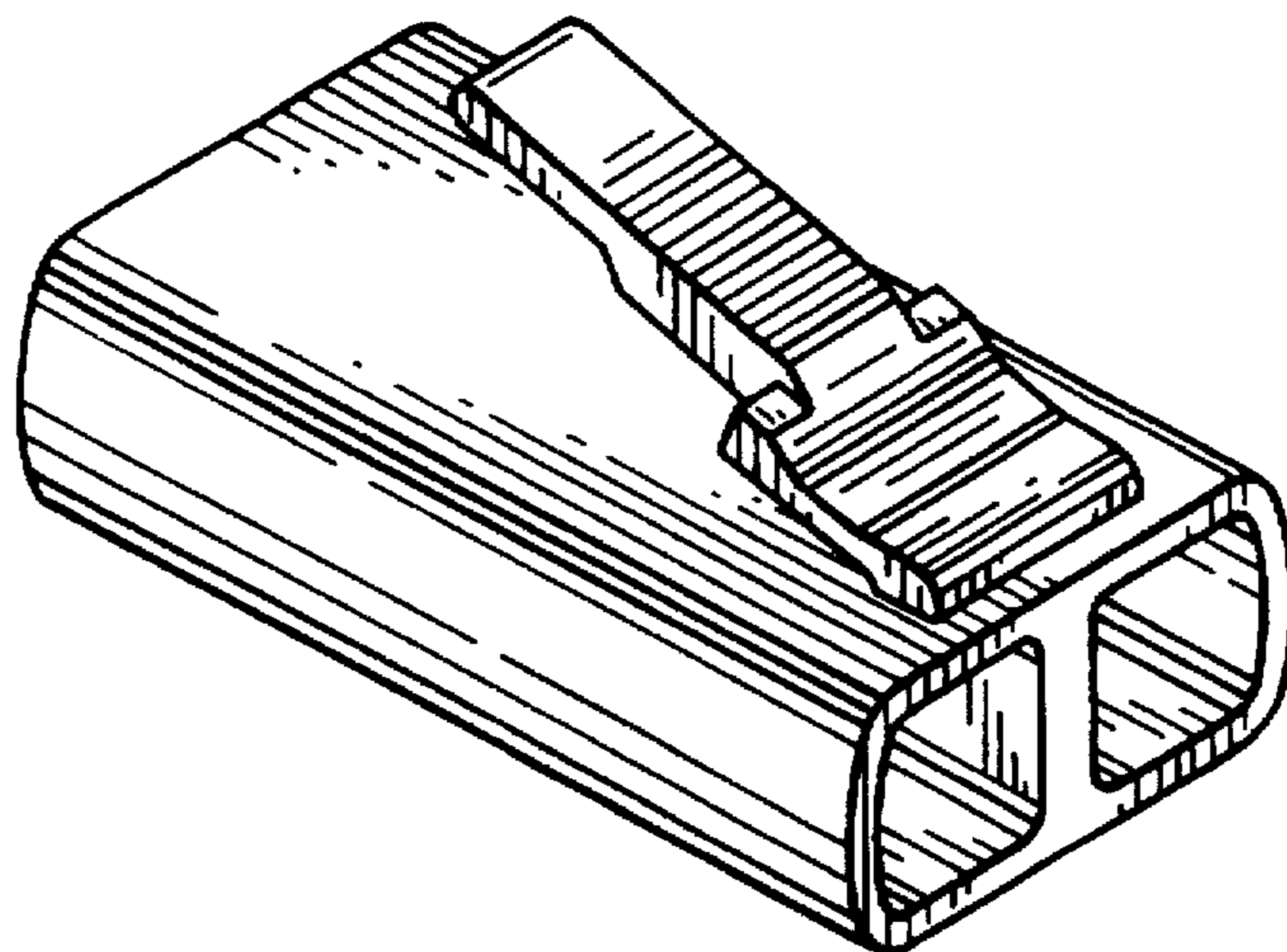


FIG. 1

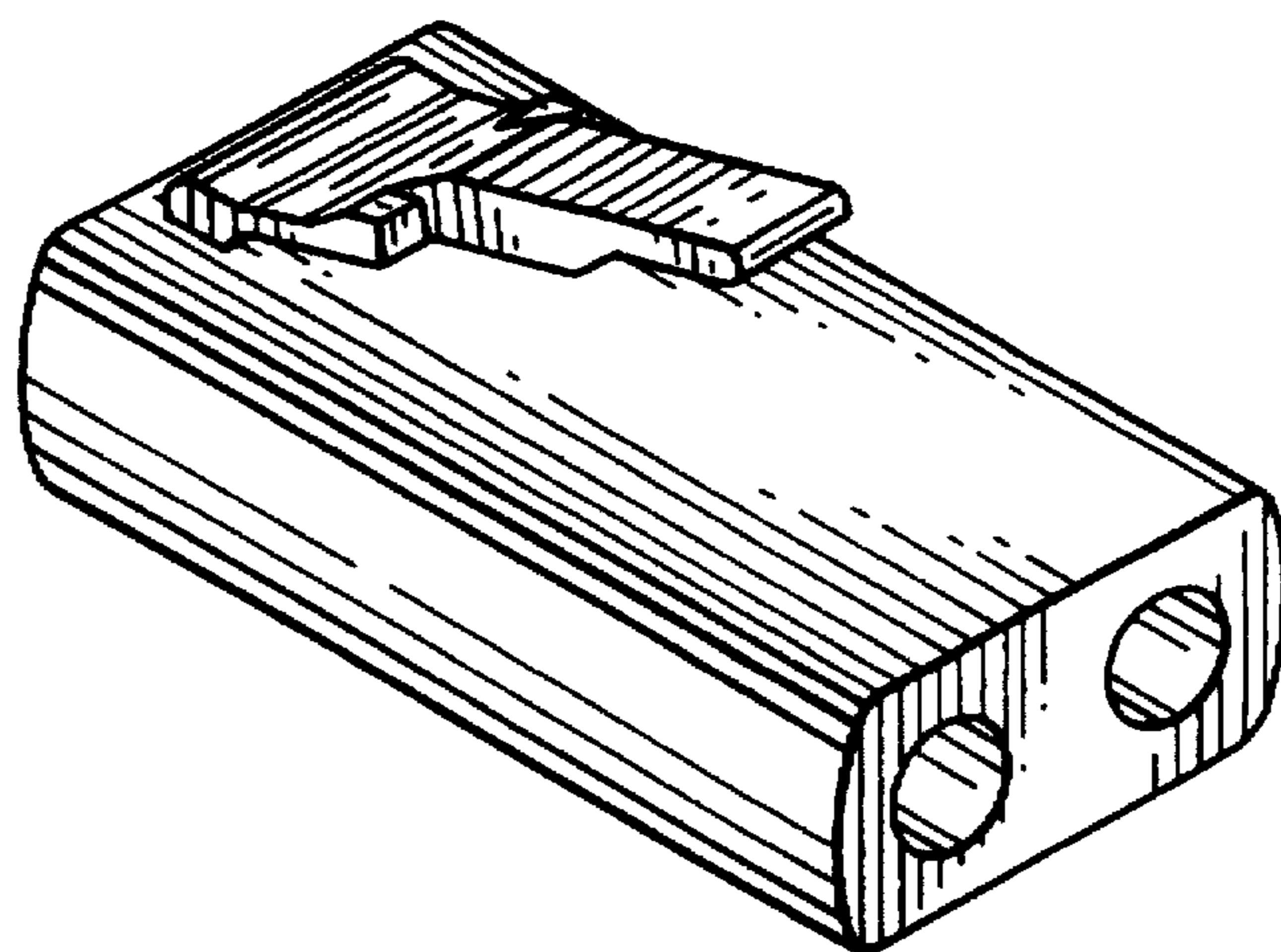


FIG. 2

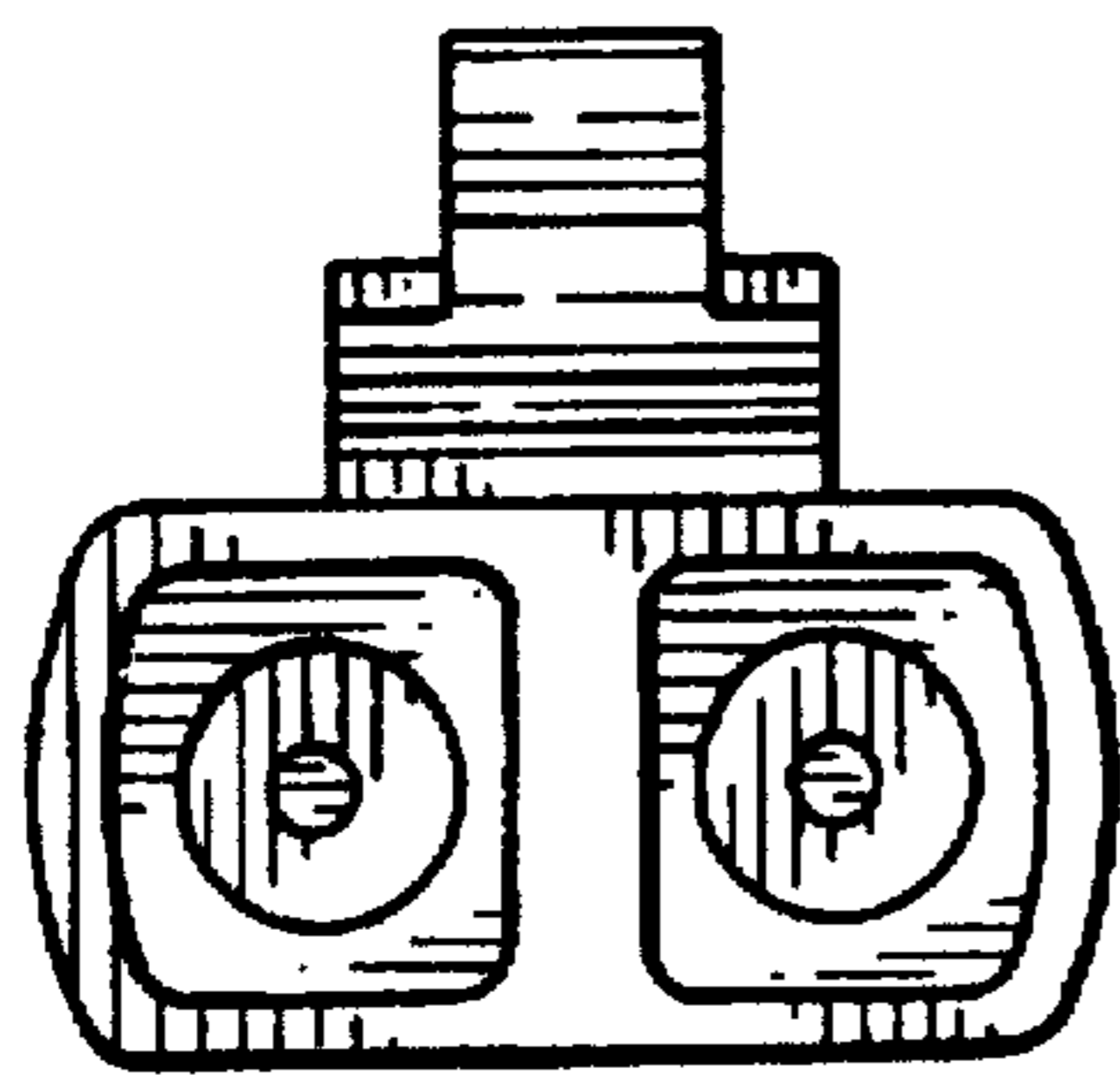


FIG. 3

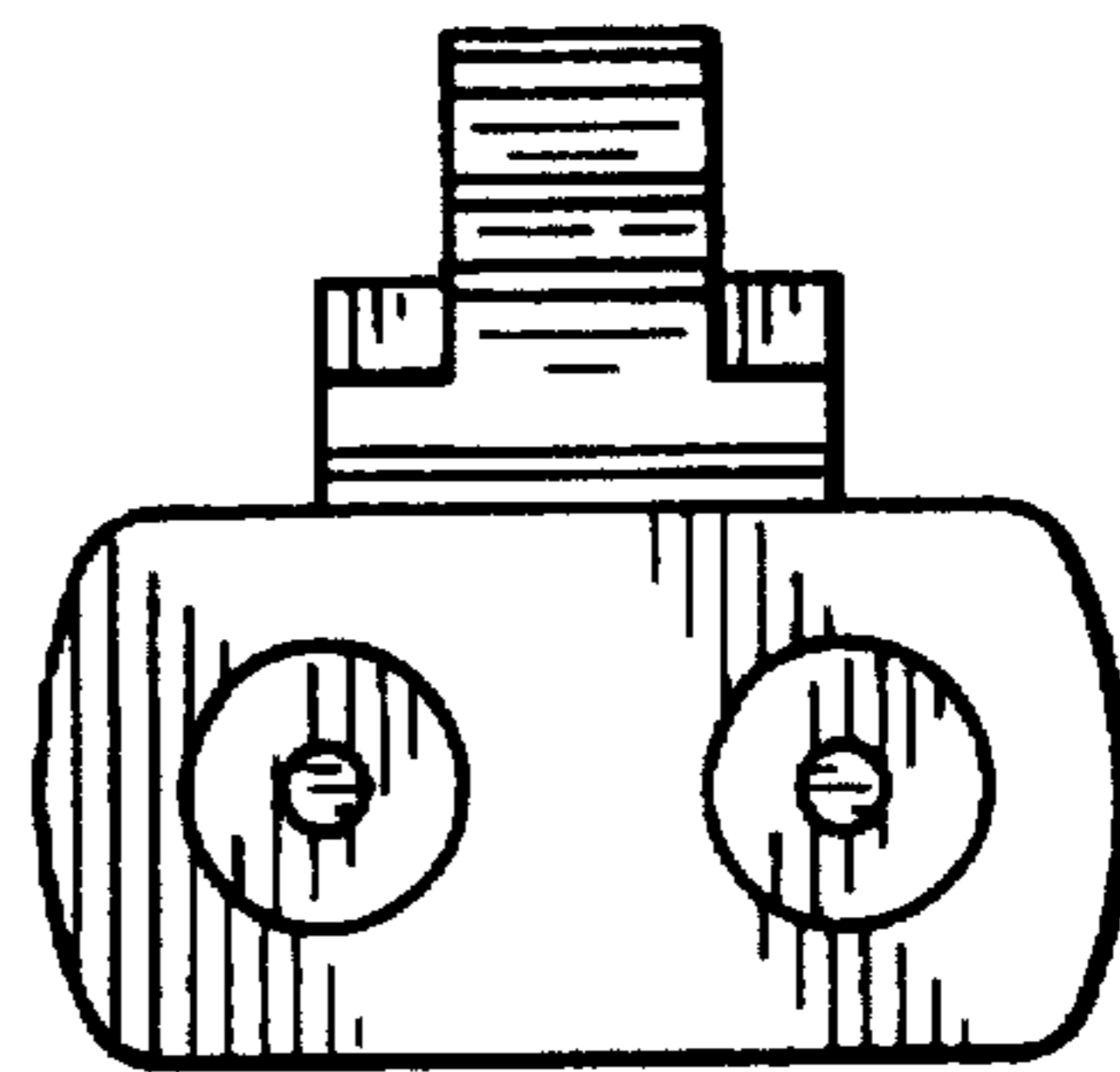


FIG. 4

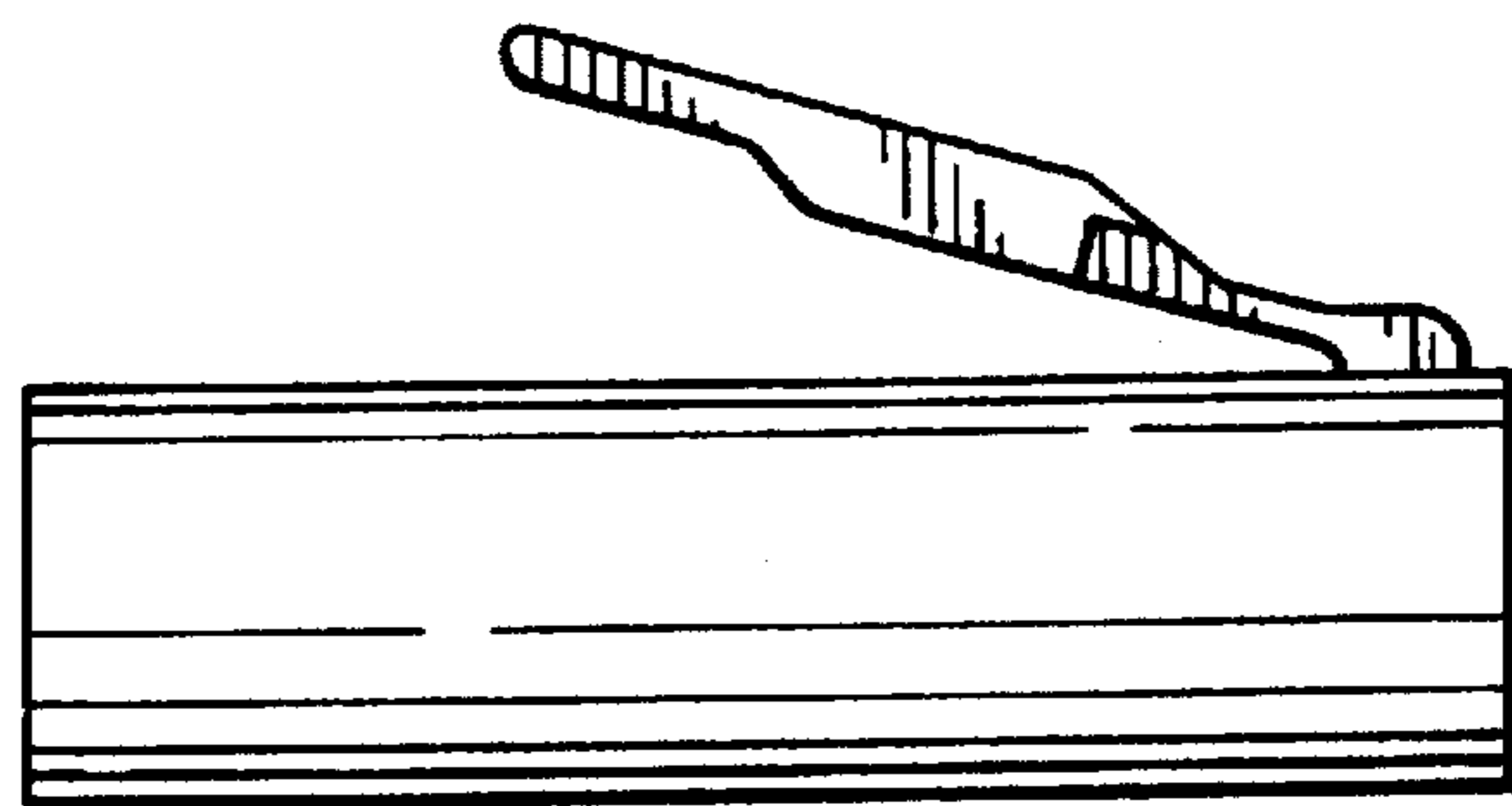


FIG. 5

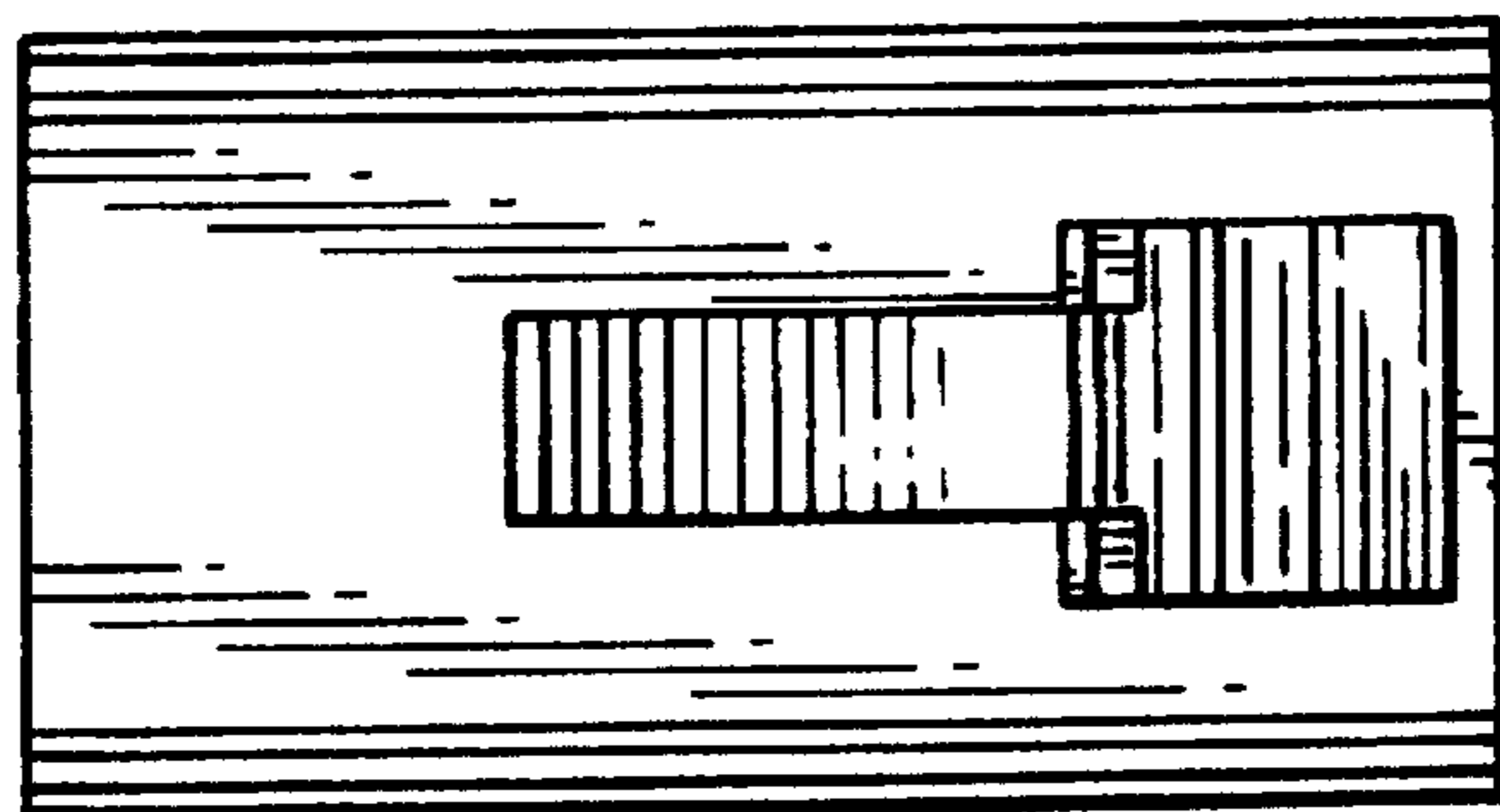


FIG. 6

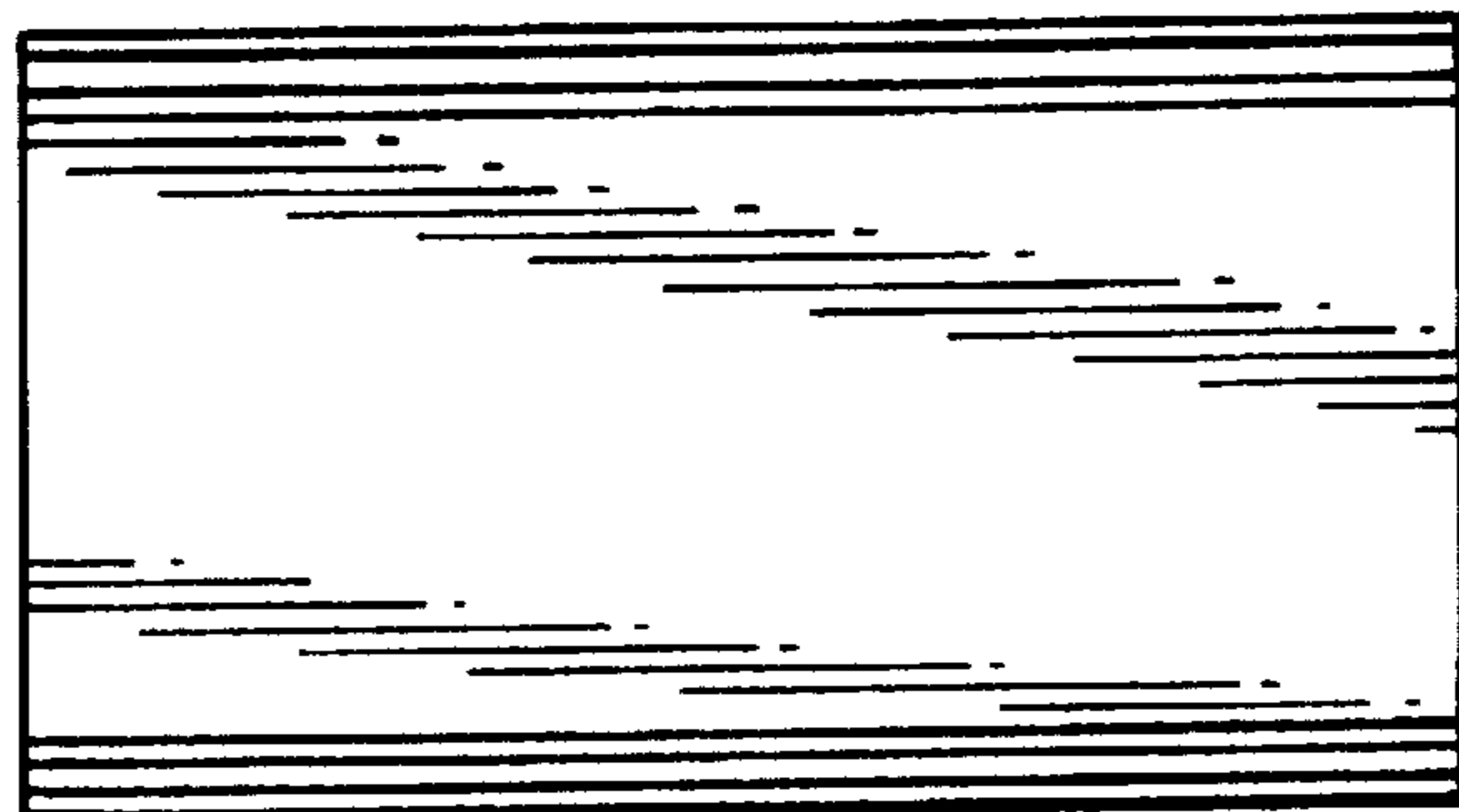


FIG. 7