



US00D388765S

United States Patent [19]
Pitcher

[11] **Patent Number:** **Des. 388,765**
[45] **Date of Patent:** ****Jan. 6, 1998**

- [54] **HOUSING FOR ELECTRONIC NOISE ELIMINATION APPARATUS**
- [75] **Inventor:** **David H. Pitcher**, Menlo Park, Calif.
- [73] **Assignee:** **Monster Cable Products, Inc.**, South San Francisco, Calif.
- [**] **Term:** **14 Years**
- [21] **Appl. No.:** **17,356**
- [22] **Filed:** **Jan. 11, 1994**
- [51] **LOC (6) Cl.** **13-99**
- [52] **U.S. Cl.** **D13/133**
- [58] **Field of Search** **D10/46; D13/133;**
324/207.18; 330/107, 295; 327/311, 309,
306, 552, 553; 333/17.1, 12, 14; 340/870.36;
381/71, 72, 96, 98, 106; 455/72; 439/724

[56] **References Cited**
U.S. PATENT DOCUMENTS
5,360,469 11/1994 Baron et al. 381/71 X
Primary Examiner—Antoine Duval Davis
Attorney, Agent, or Firm—Rosen, Dainow & Jacobs,
Limited Liability Partnership

[57] **CLAIM**
The ornamental design for an housing for an electric noise eliminating apparatus, as shown.

DESCRIPTION
FIG. 1 top side and perspective view of the housing for electronic noise eliminating apparatus;
FIG. 2 is an end view thereof; and,
FIG. 3 is a top plan view thereof.

1 Claim, 1 Drawing Sheet

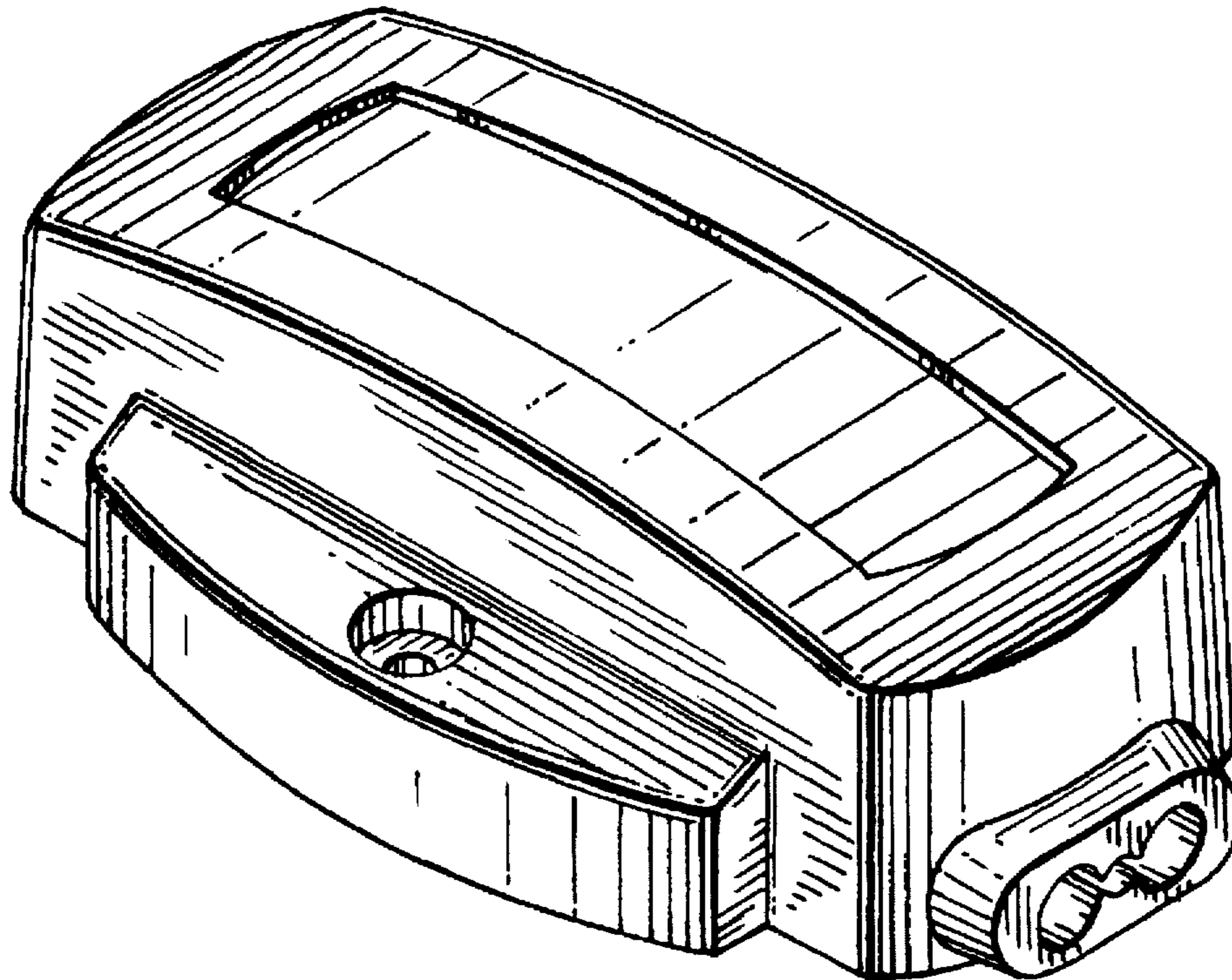


FIG. 1

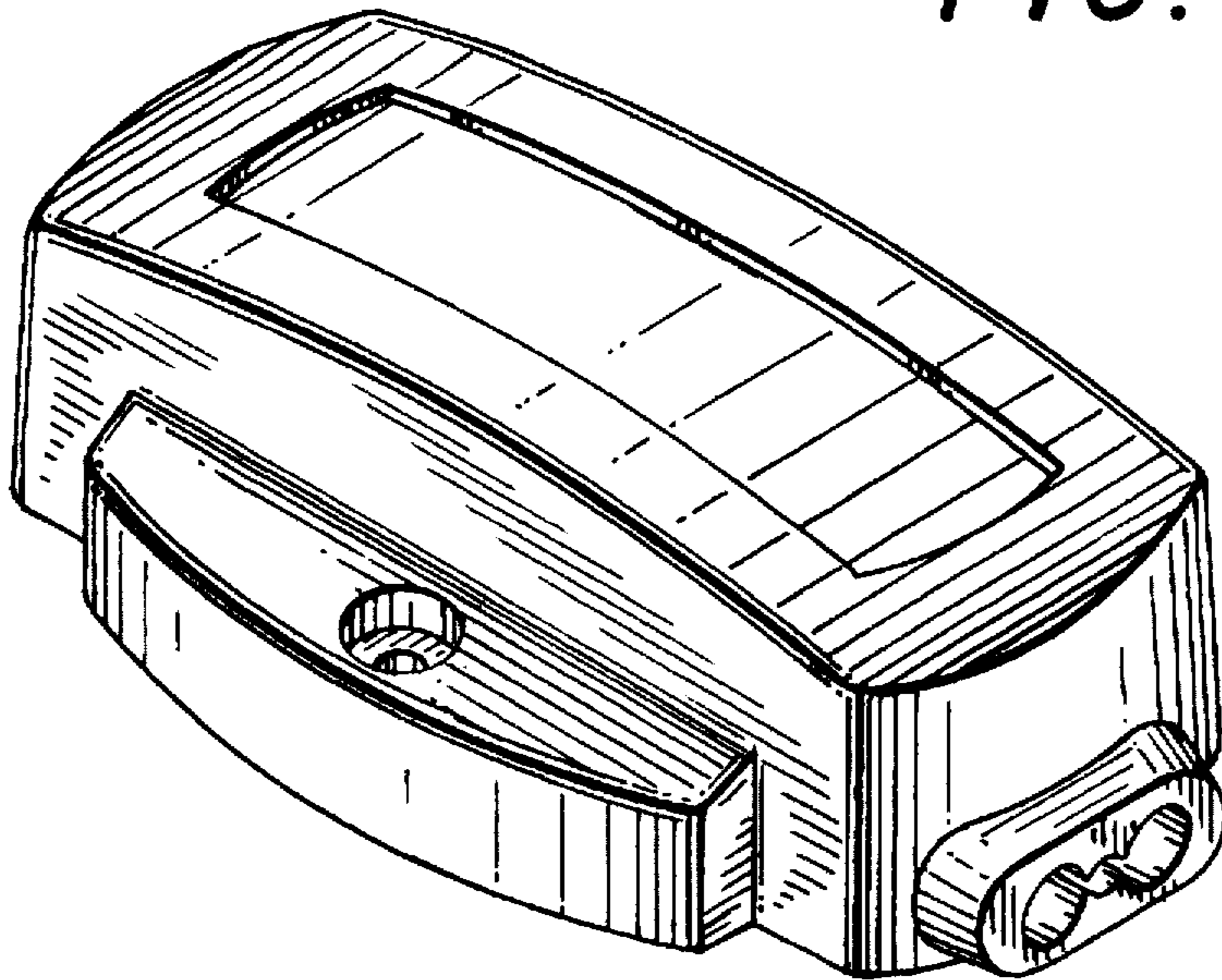


FIG. 2

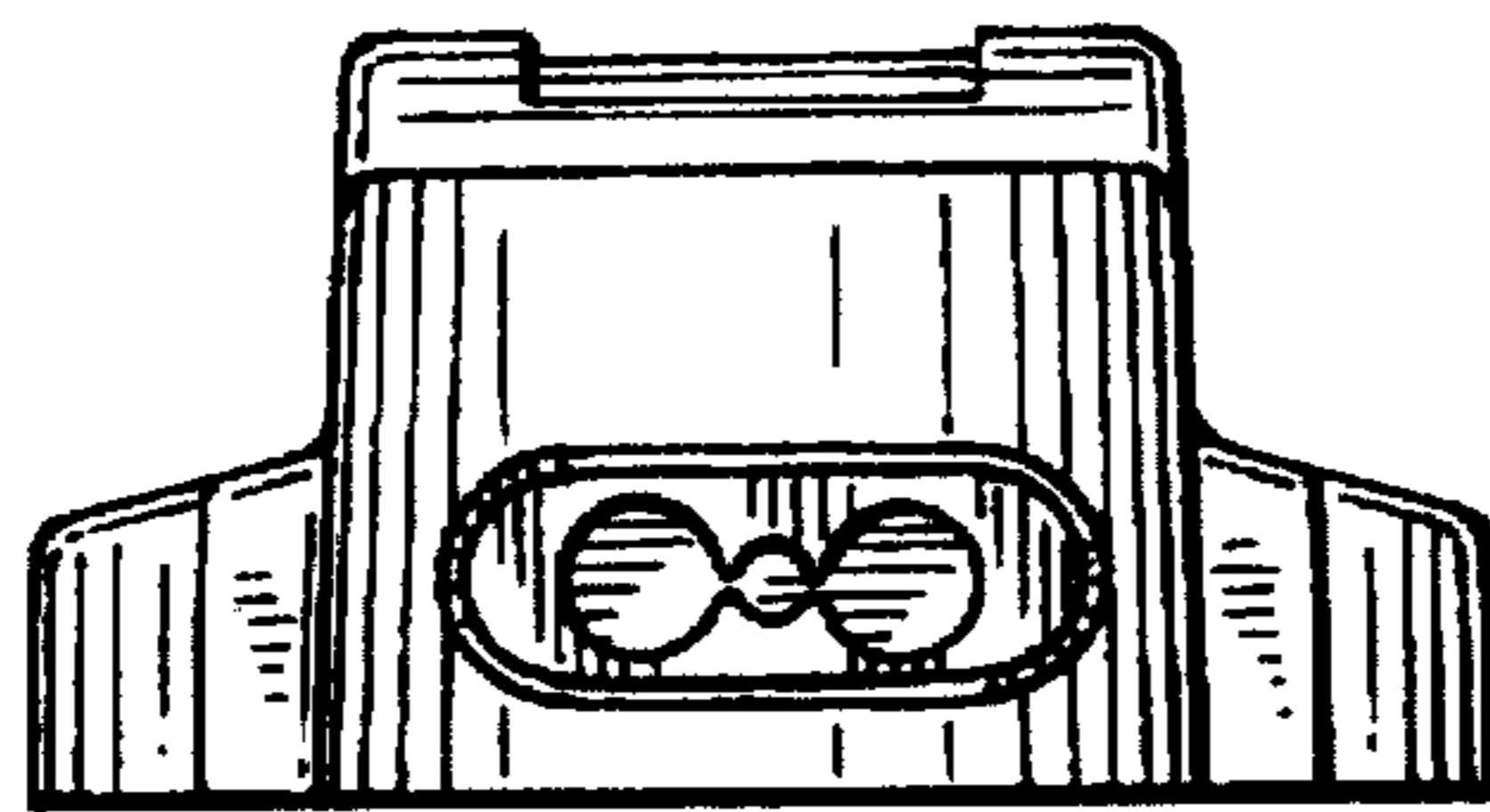


FIG. 3

