



US00D388762S

United States Patent [19]

Nagy

[11] Patent Number: **Des. 388,762**

[45] Date of Patent: ****Jan. 6, 1998**

[54] **AUTOMOTIVE PLUG IN ACCESSORY MOUNT**

5,086,958 2/1992 Nagy 224/277 X
5,573,164 11/1996 Law 224/277 X

[76] Inventor: **Giselle F. Nagy, 7556 Hesperia Ave., Reseda, Calif. 91335**

Primary Examiner—Doris V. Coles
Assistant Examiner—Catherine R. Oliver

[**] Term: **14 Years**

[57] **CLAIM**

[21] Appl. No.: **51,801**

The ornamental design for a automotive plug in accessory mount, as shown.

[22] Filed: **Mar. 18, 1996**

DESCRIPTION

[51] LOC (6) Cl. **12-16**

[52] U.S. Cl. **D12/415**

[58] Field of Search D12/415, 419, D12/420, 421, 422, 423, 424; 224/276, 277, 483, 278; 248/311.2, 313, 223.4

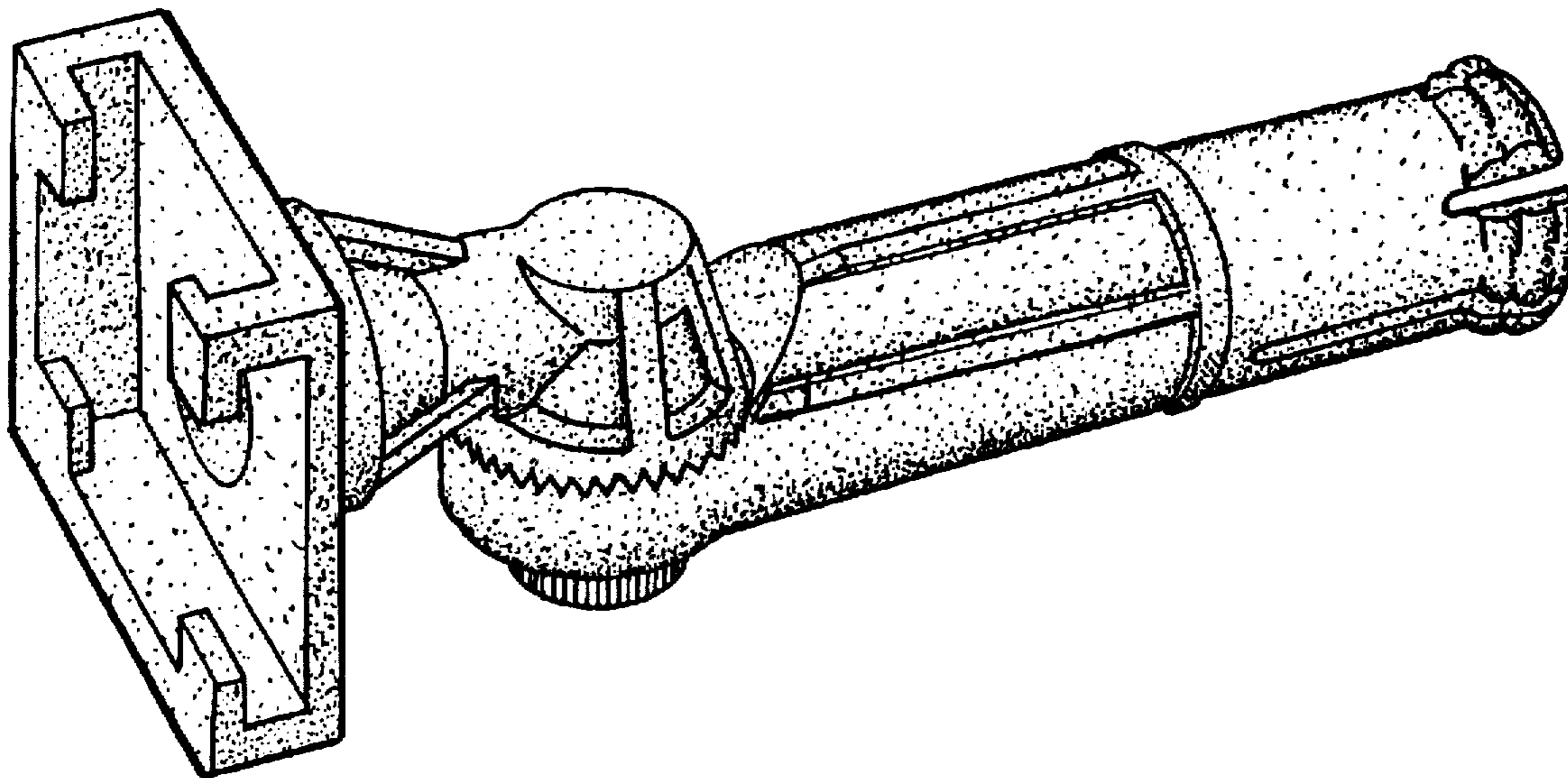
FIG. 1 is a perspective view;
FIG. 2 is a perspective view;
FIG. 3 is a front elevational view;
FIG. 4 is a right side elevational view;
FIG. 5 is a bottom plan view;
FIG. 6 is a left side elevational view;
FIG. 7 is a rear elevational view; and
FIG. 8 is a top plan view.

[56] **References Cited**

U.S. PATENT DOCUMENTS

D. 358,707 5/1995 Holt D12/400
5,048,733 9/1991 Nagy 224/277 X

1 Claim, 3 Drawing Sheets



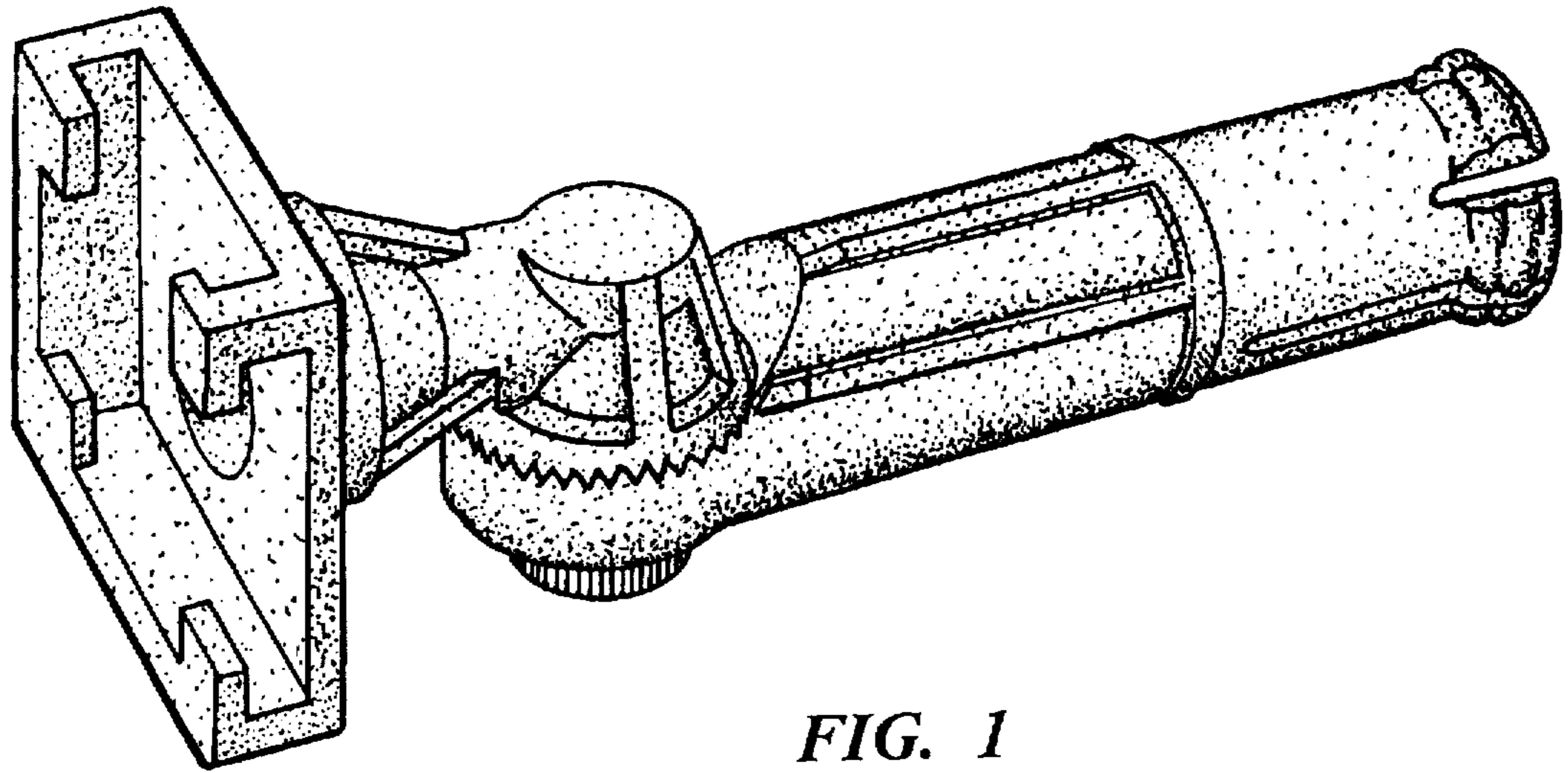


FIG. 1

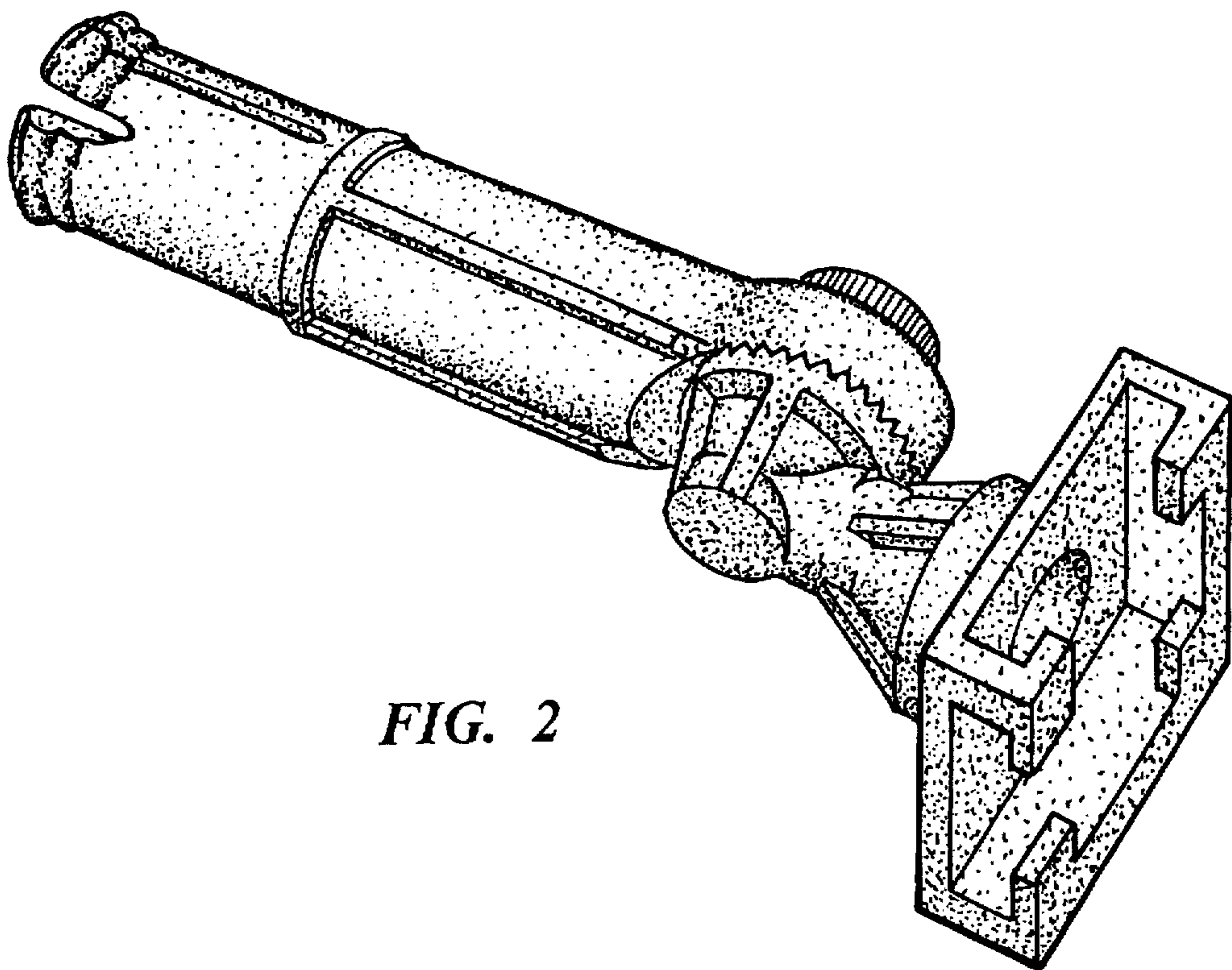


FIG. 2

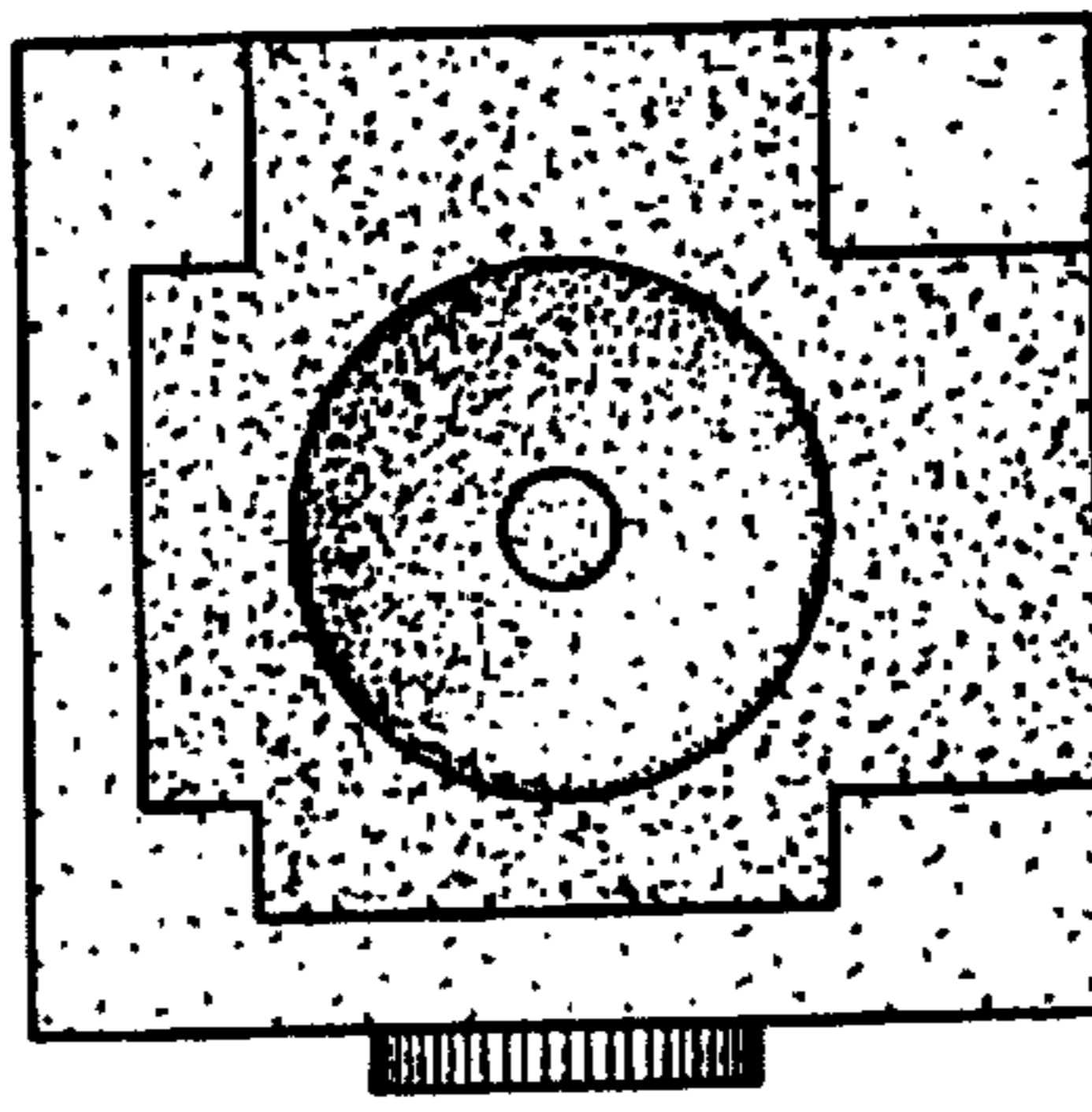


FIG. 3

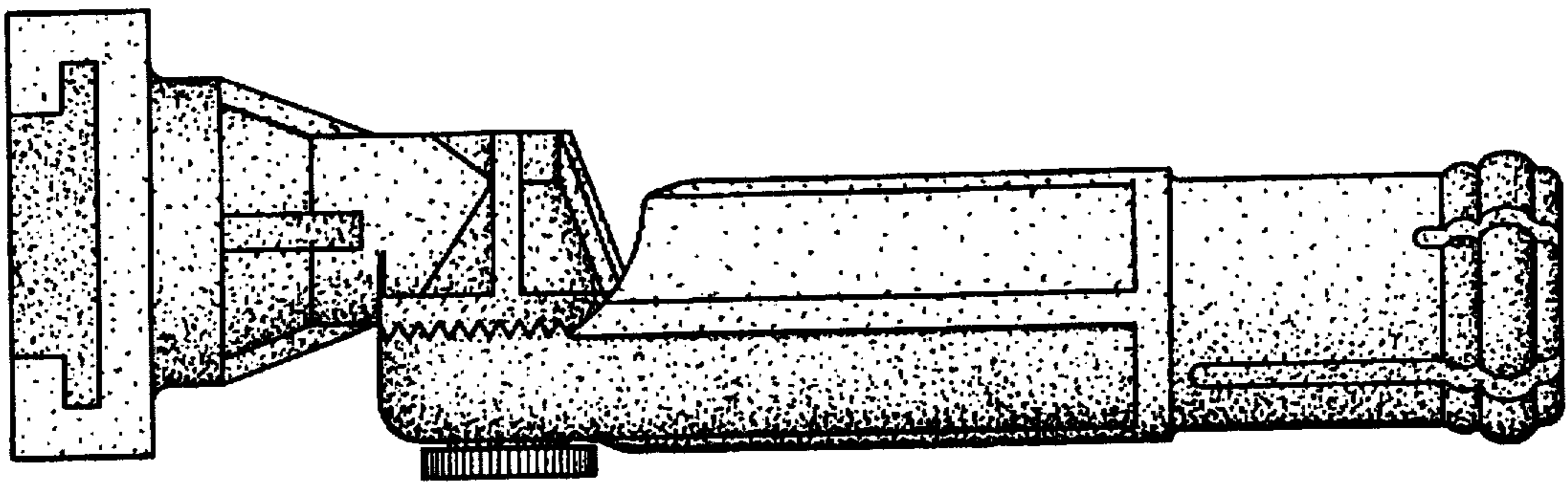


FIG. 4

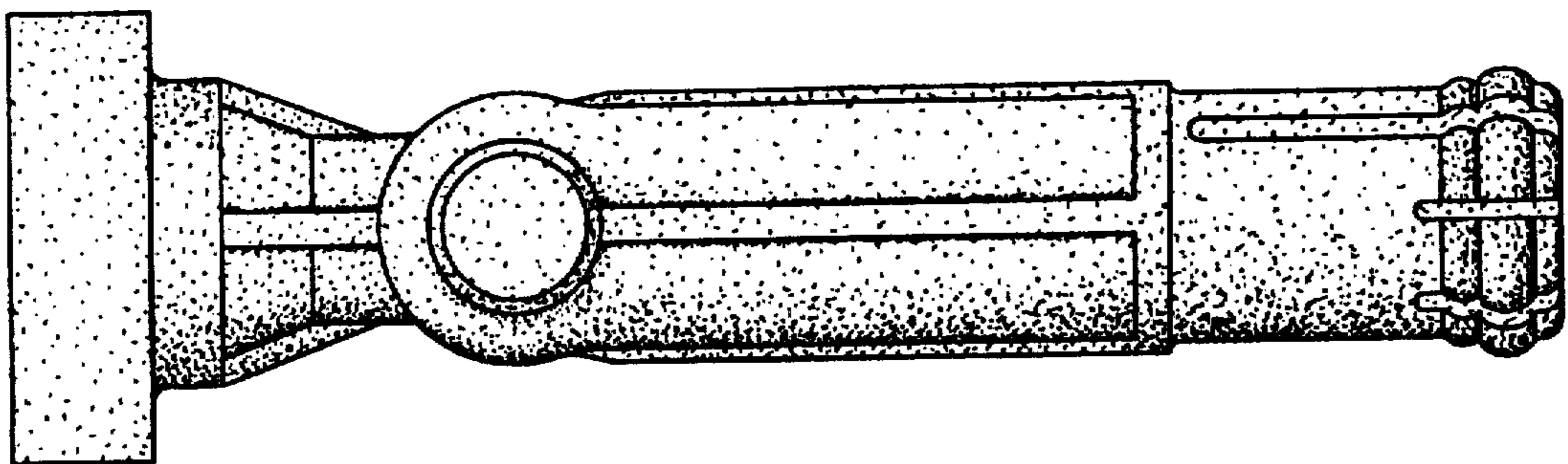


FIG. 5

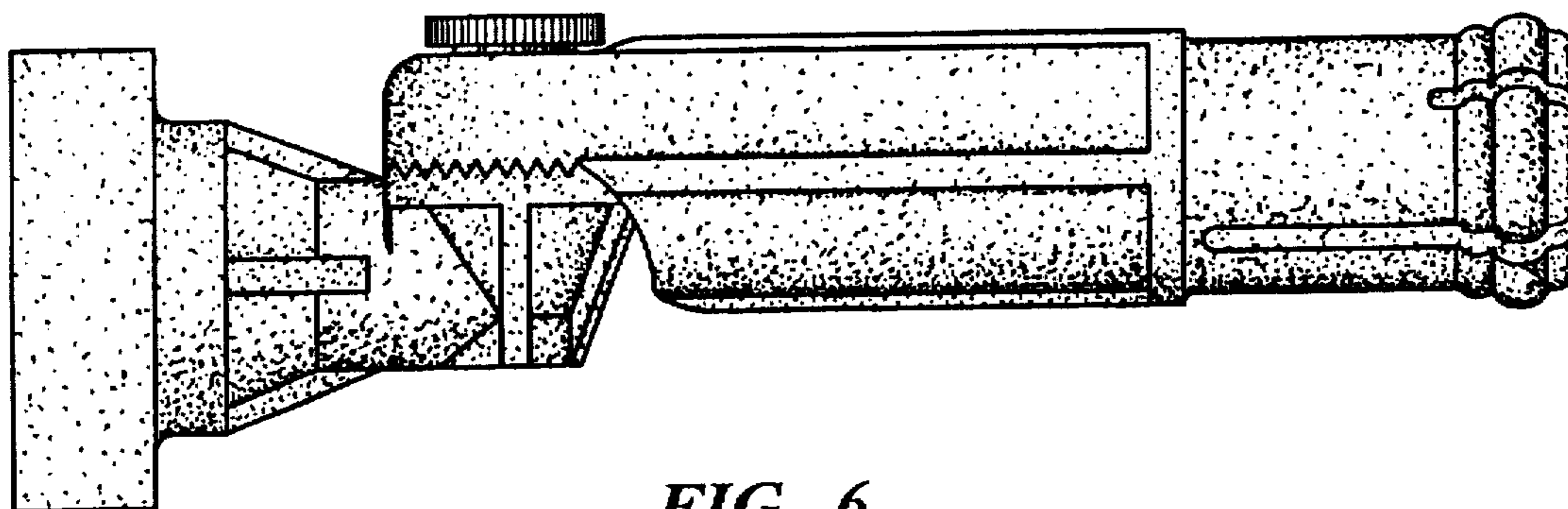


FIG. 6

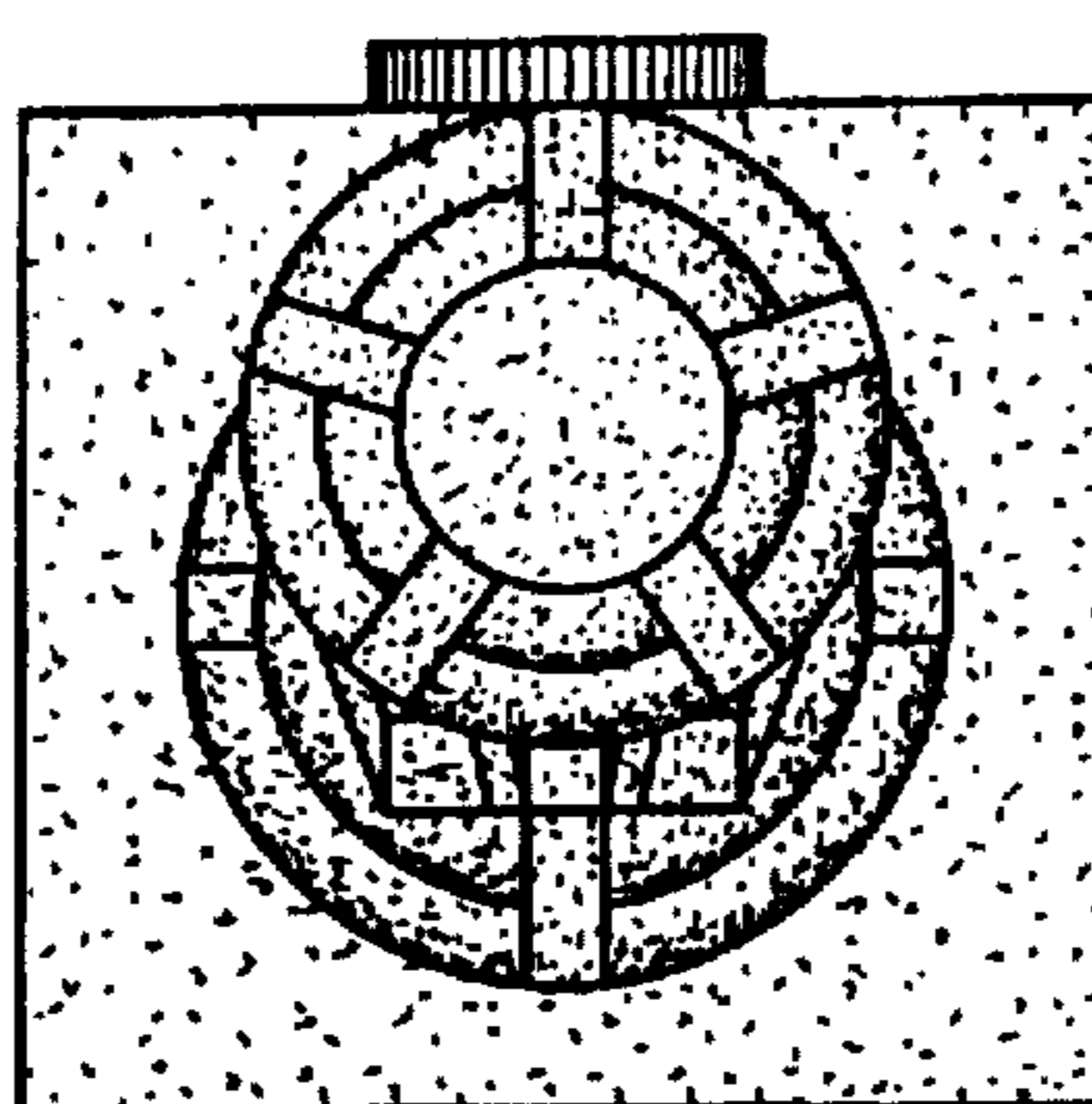


FIG. 7

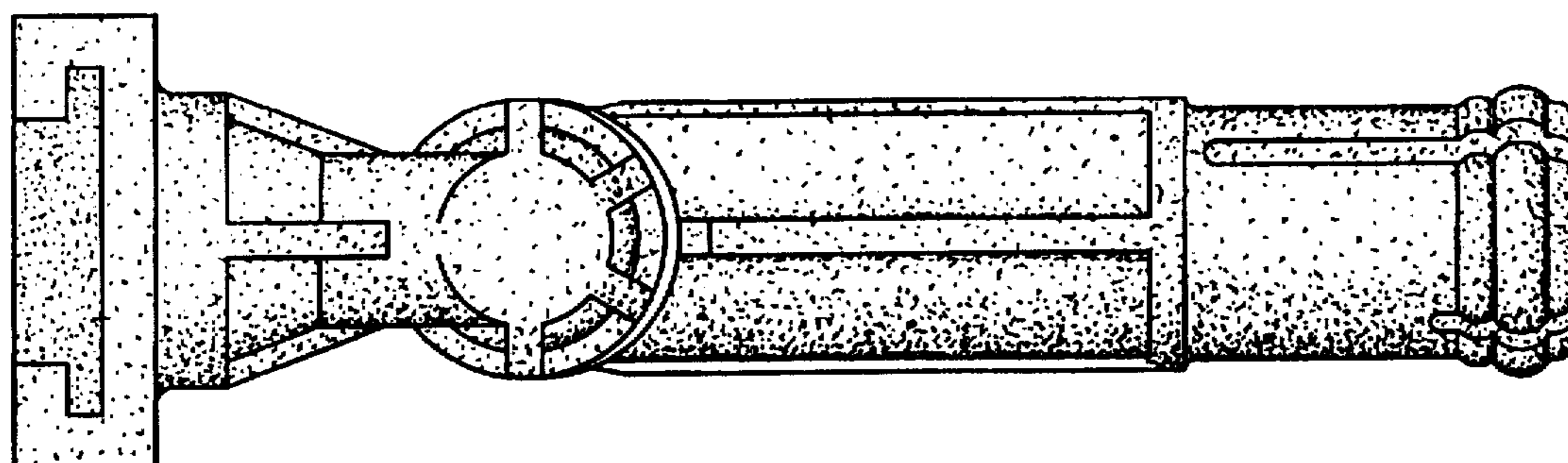


FIG. 8