



US00D388759S

United States Patent [19]

[11] Patent Number: **Des. 388,759**

Weld

[45] Date of Patent: ****Jan. 6, 1998**

[54] VEHICLE WHEEL FRONT FACE

OTHER PUBLICATIONS

[76] Inventor: **Richard G. Weld**, 1220 Union, Kansas City, Mo. 64101

Weld Racing 1995 Style Guide. See Tire "A".

[**] Term: **14 Years**

Primary Examiner—James Gandy
Assistant Examiner—Stacia Sinuik
Attorney, Agent, or Firm—Litman, McMahon and Brown, L.L.C.

[21] Appl. No.: **47,265**

[22] Filed: **Nov. 30, 1995**

[57] CLAIM

[51] LOC (6) Cl. **12-16**

[52] U.S. Cl. **D12/209**

[58] Field of Search D12/204-213;
301/64.1, 65, 37.1

The ornamental design for a vehicle wheel front face, as shown and described.

DESCRIPTION

[56] References Cited

U.S. PATENT DOCUMENTS

D. 337,562	7/1993	Hareide	D12/209
D. 352,021	11/1994	Powers	D12/209
D. 364,844	12/1995	Chien	D12/209
D. 372,697	8/1996	Echazabal et al.	D12/209
D. 378,506	3/1997	Stolz et al.	D12/209

FIG. 1 is a front perspective view of a vehicle wheel front face showing my new design; and, FIG. 2 is a front elevational view thereof.

The broken lines are for illustrative purposes only, and the subject matter depicted therein constitutes no part of the claimed design.

1 Claim, 1 Drawing Sheet

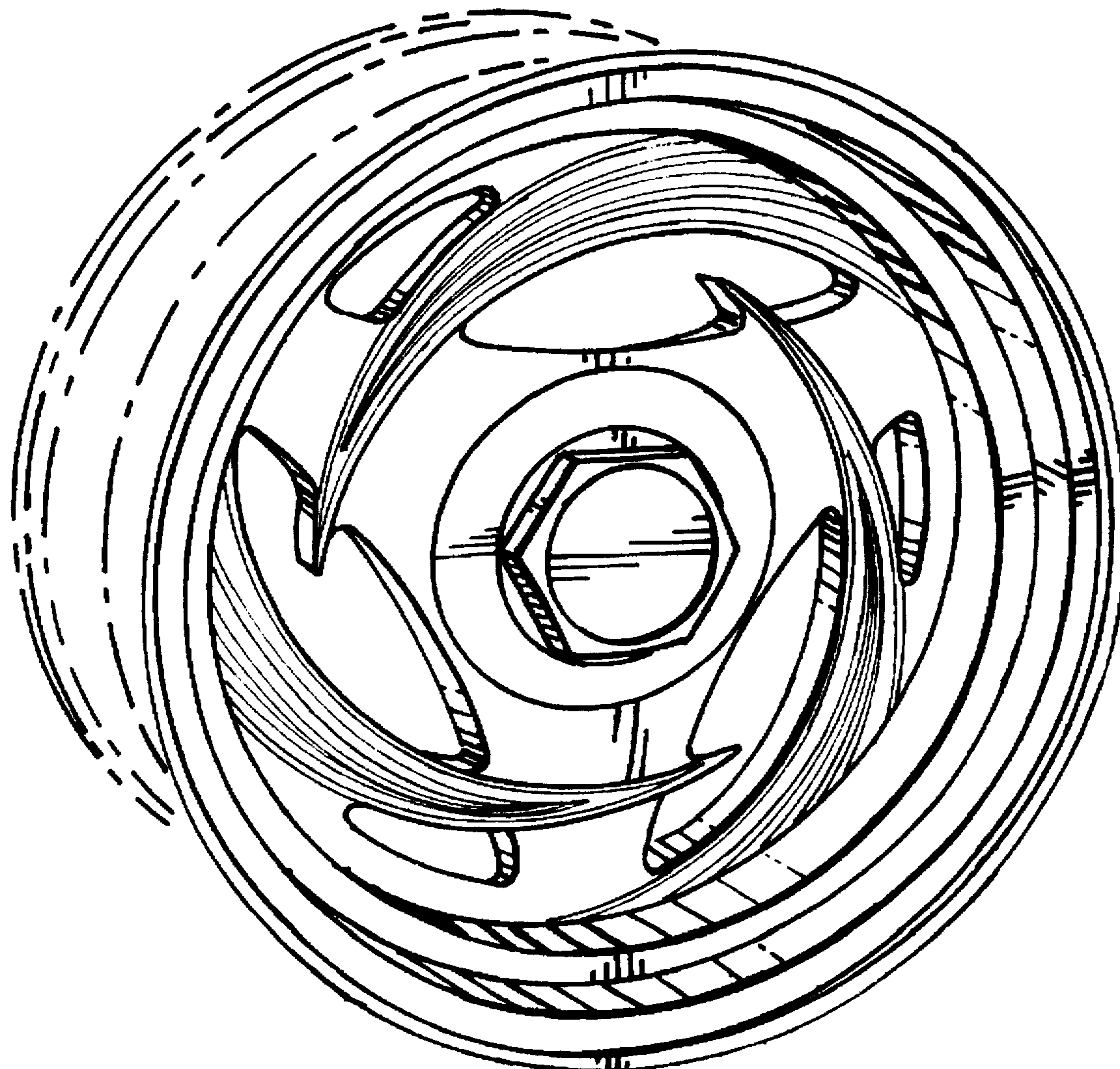


Fig. 1.

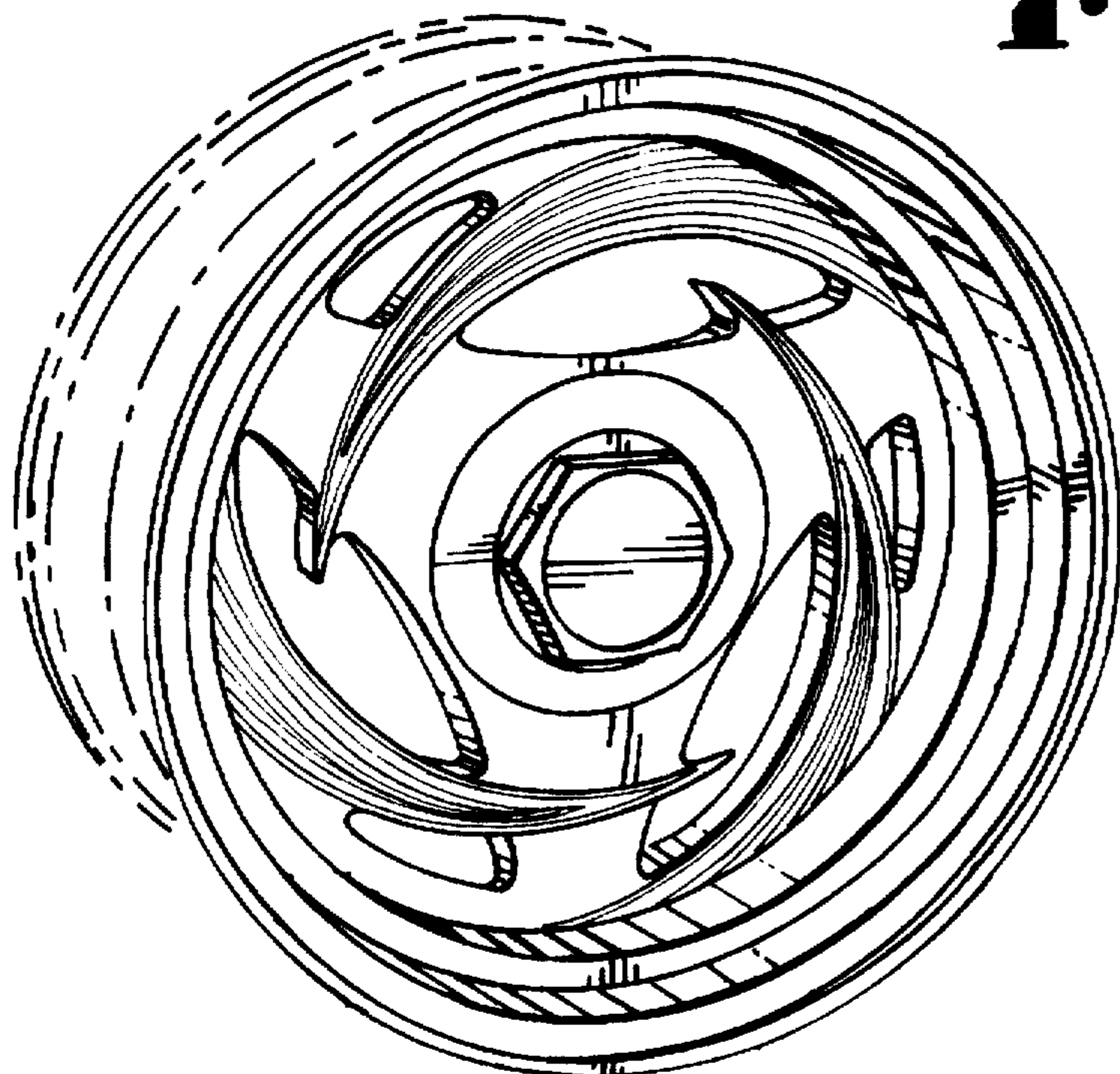


Fig. 2.

