



US00D388749S

United States Patent [19]
Kiser

[11] **Patent Number:** **Des. 388,749**
[45] **Date of Patent:** ****Jan. 6, 1998**

[54] **HOLLOW SPOKE WHEEL FOR CHILD'S STROLLER**

D. 279,093 6/1985 Reid D12/211
D. 359,938 7/1995 Chien D12/133
D. 378,506 3/1997 Stolz et al. D12/209

[75] **Inventor:** **Randolph Kiser, Sidney, Ohio**

Primary Examiner—**Kay H. Chin**

[73] **Assignee:** **Lisco, Inc., Tampa, Fla.**

[57] **CLAIM**

[**] **Term:** **14 Years**

The ornamental design for a hollow spoke wheel for child's stroller, as shown and described.

[21] **Appl. No.:** **61,371**

DESCRIPTION

[22] **Filed:** **Oct. 16, 1996**

[51] **LOC (6) Cl.** **12-12**

[52] **U.S. Cl.** **D12/133; D12/211**

[58] **Field of Search** **D12/133, 128, D12/129, 209, 211, 205, 204; 301/64.1, 64.7, 37.1, 63.1, 65**

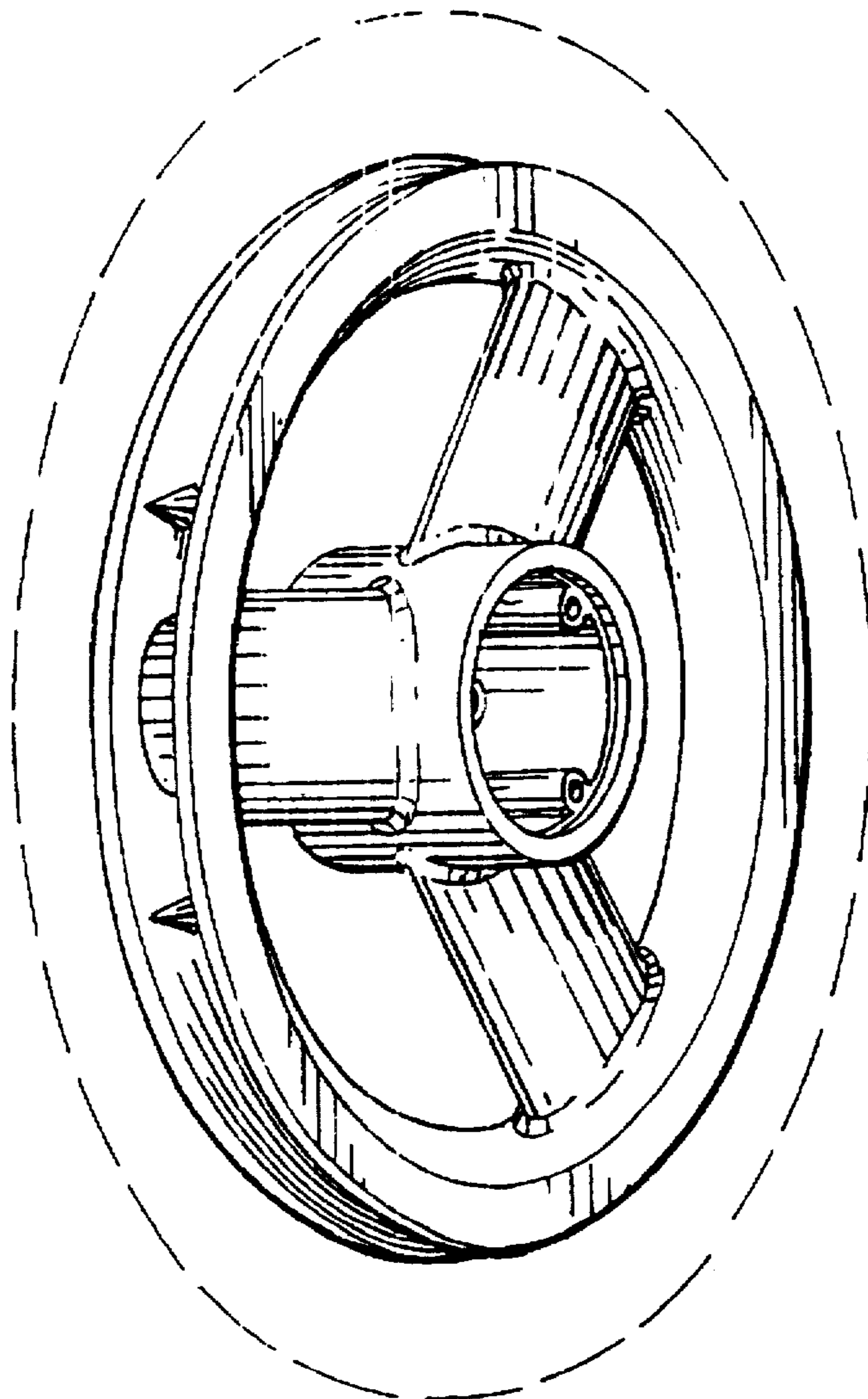
FIG. 1 is a perspective view of the hollow spoke wheel for child's stroller showing the design of my invention; FIG. 2 is a left side view thereof; FIG. 3 is a front view thereof; and, FIG. 4 is a cut through view of FIG. 3 showing the inside hollow spoke. The right side view is a mirror image of the left side view. The broken lines are for illustrative purposes only and form no part of the claimed design.

[56] **References Cited**

U.S. PATENT DOCUMENTS

D. 204,256 4/1966 Rader D12/211

1 Claim, 2 Drawing Sheets



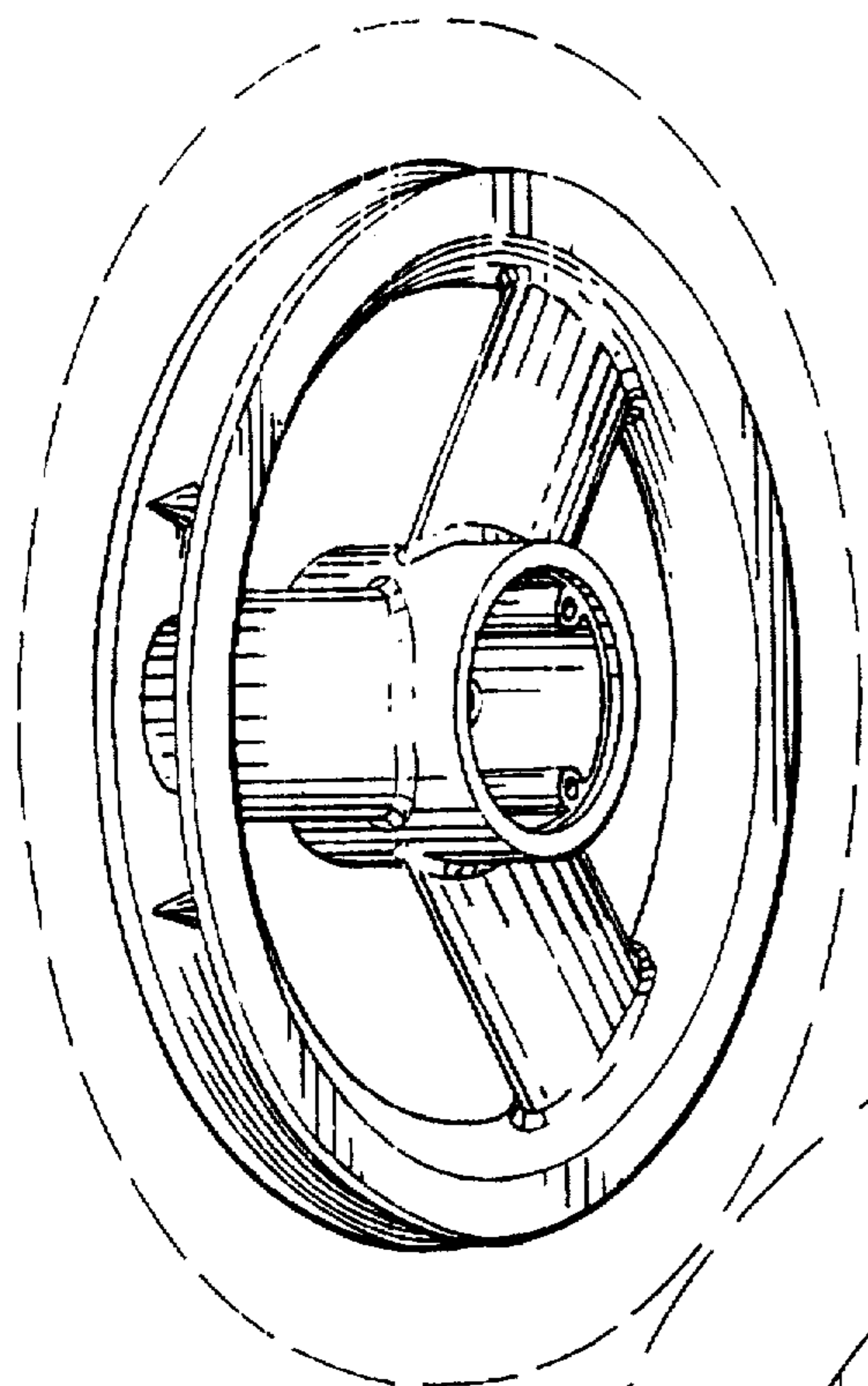


FIG. 1

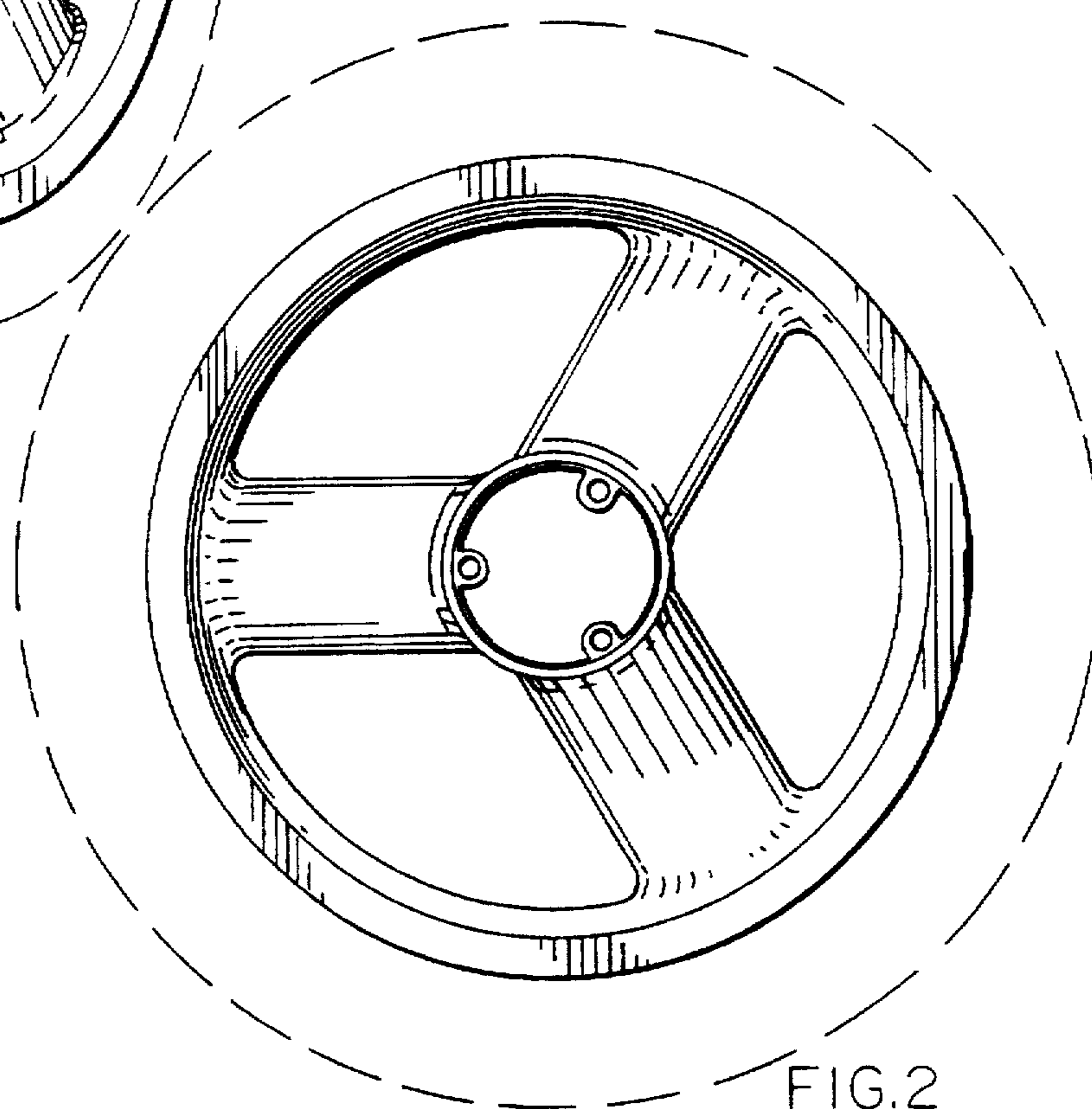


FIG. 2

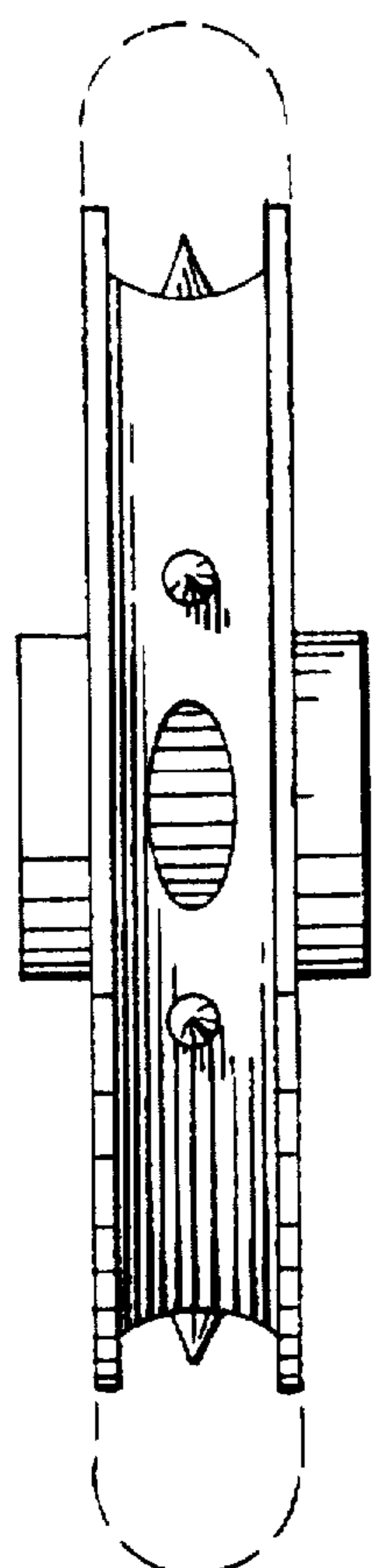


FIG. 3

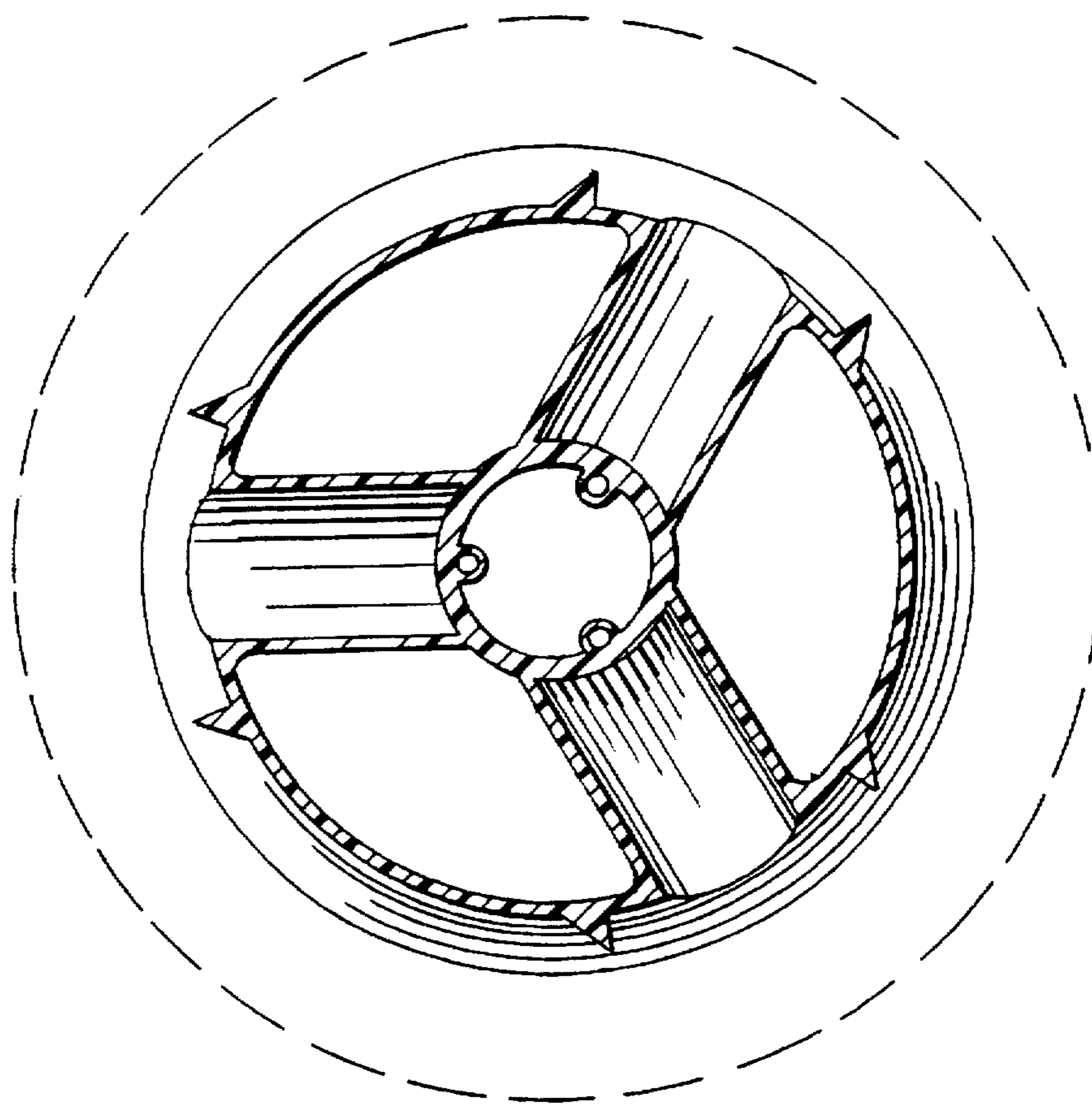


FIG. 4