



US00D388742S

United States Patent [19]

Ault et al.

[11] Patent Number: **Des. 388,742**

[45] Date of Patent: ****Jan. 6, 1998**

[54] **BUCKLE**

4,309,797	1/1982	Schrougham et al.	24/323
5,020,193	6/1991	Kunze	24/323
5,327,619	7/1994	Ortega	24/616

[76] Inventors: **Phillip H. Ault**, 3765 Church Rd., Ellicott City, Md. 21043; **Patricia P. Landrem**, 11217 N. Five Points Rd., Knightstown, Ind. 46148

Primary Examiner—Ralf Seifert
Attorney, Agent, or Firm—Morton J. Rosenberg; David I. Klein

[**] Term: **14 Years**

[57] **CLAIM**

[21] Appl. No.: **65,181**

The ornamental design for a buckle, as shown and described.

[22] Filed: **Jan. 23, 1997**

DESCRIPTION

[51] **LOC (6) Cl.** **02-02**

[52] **U.S. Cl.** **D11/218**

[58] **Field of Search** D11/200, 201,
D11/212, 216, 215; 24/305, 68 R, 70 ST,
69.51, 616, 323, 321

FIG. 1 is a perspective view of a buckle showing our new design;

FIG. 2 is a front view thereof;

FIG. 3 is a top plan view thereof;

FIG. 4 is a bottom plan view thereof;

FIG. 5 is a right side elevational view thereof;

FIG. 6 is a left side elevational view thereof; and,

FIG. 7 is a rear view thereof.

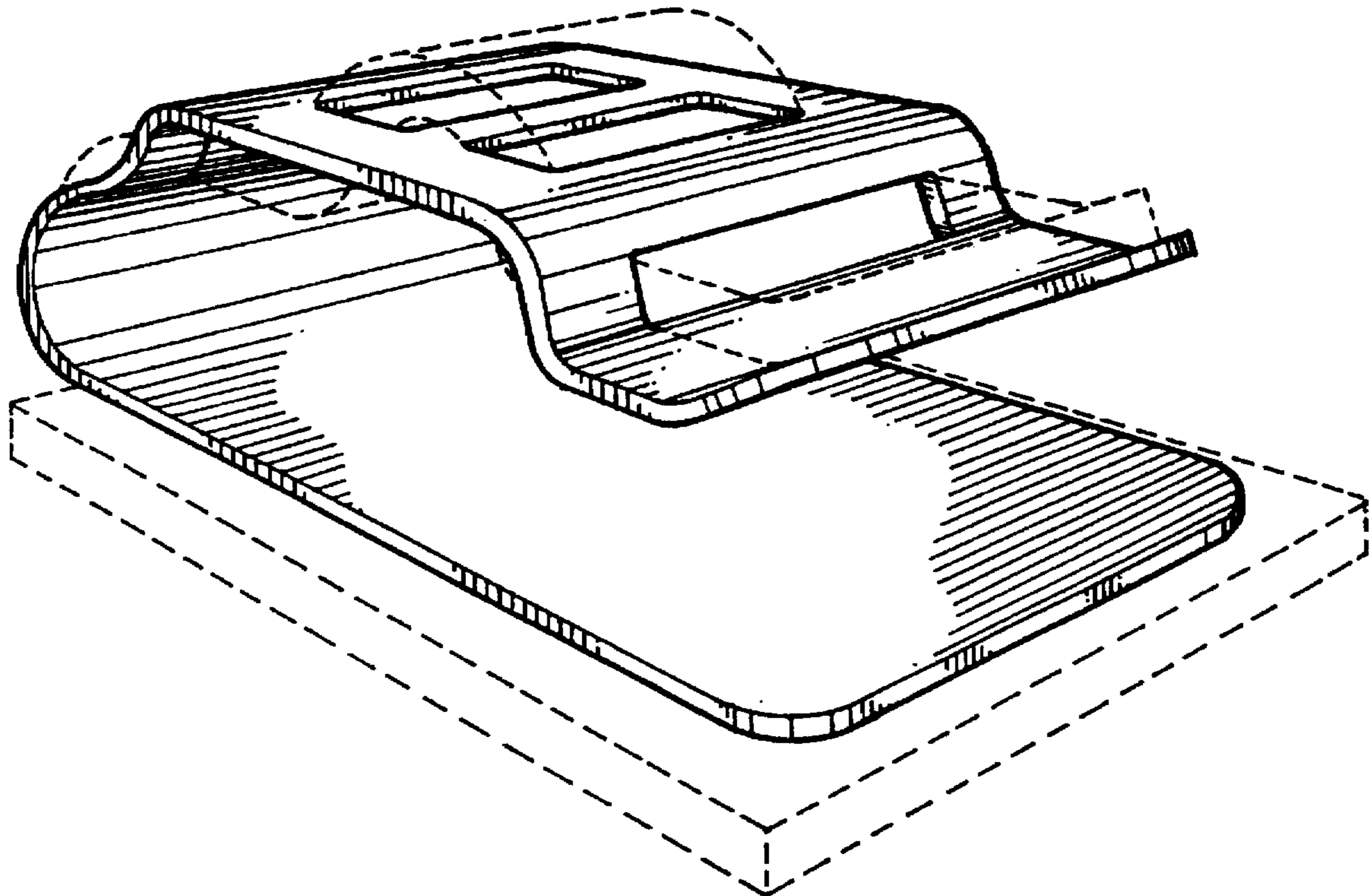
The broken line showing of a strap, in FIGS. 1-7, is for illustrative purposes only and forms no part of the claimed design.

[56] **References Cited**

U.S. PATENT DOCUMENTS

D. 376,994	12/1996	Norris	D11/218
2,473,209	6/1949	Lombardi	24/321
2,602,209	7/1952	Tinnerman	D11/215
3,148,424	9/1964	Provenzano	D11/216

1 Claim, 3 Drawing Sheets



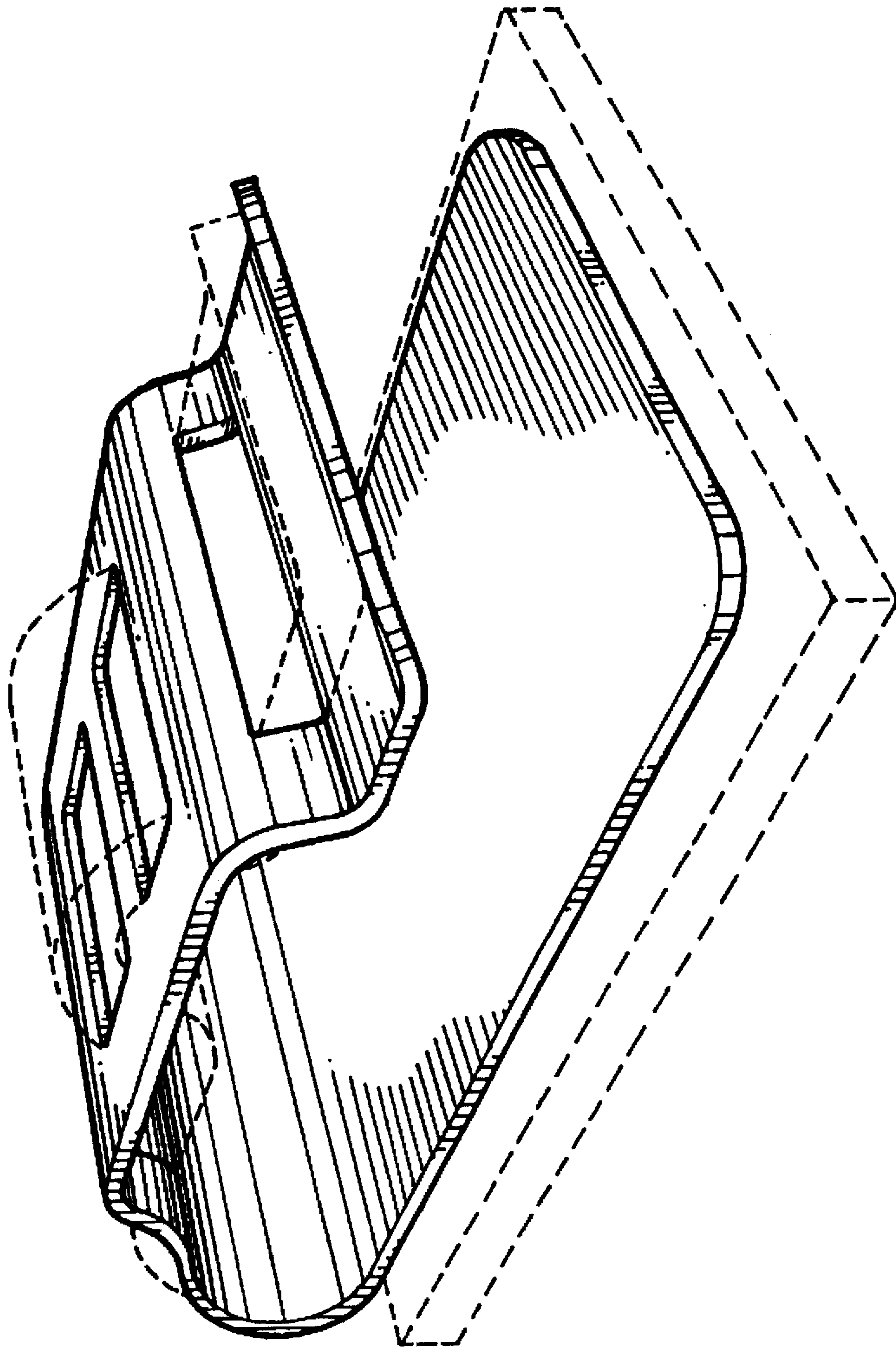


FIG. 1



FIG. 3

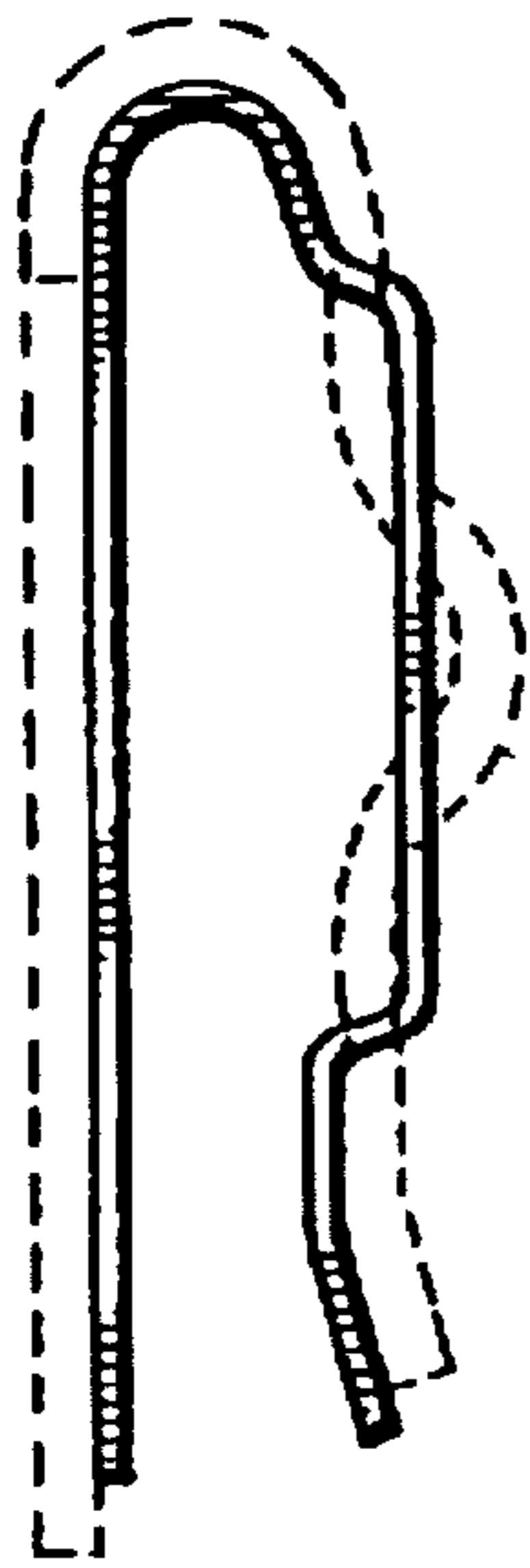


FIG. 5

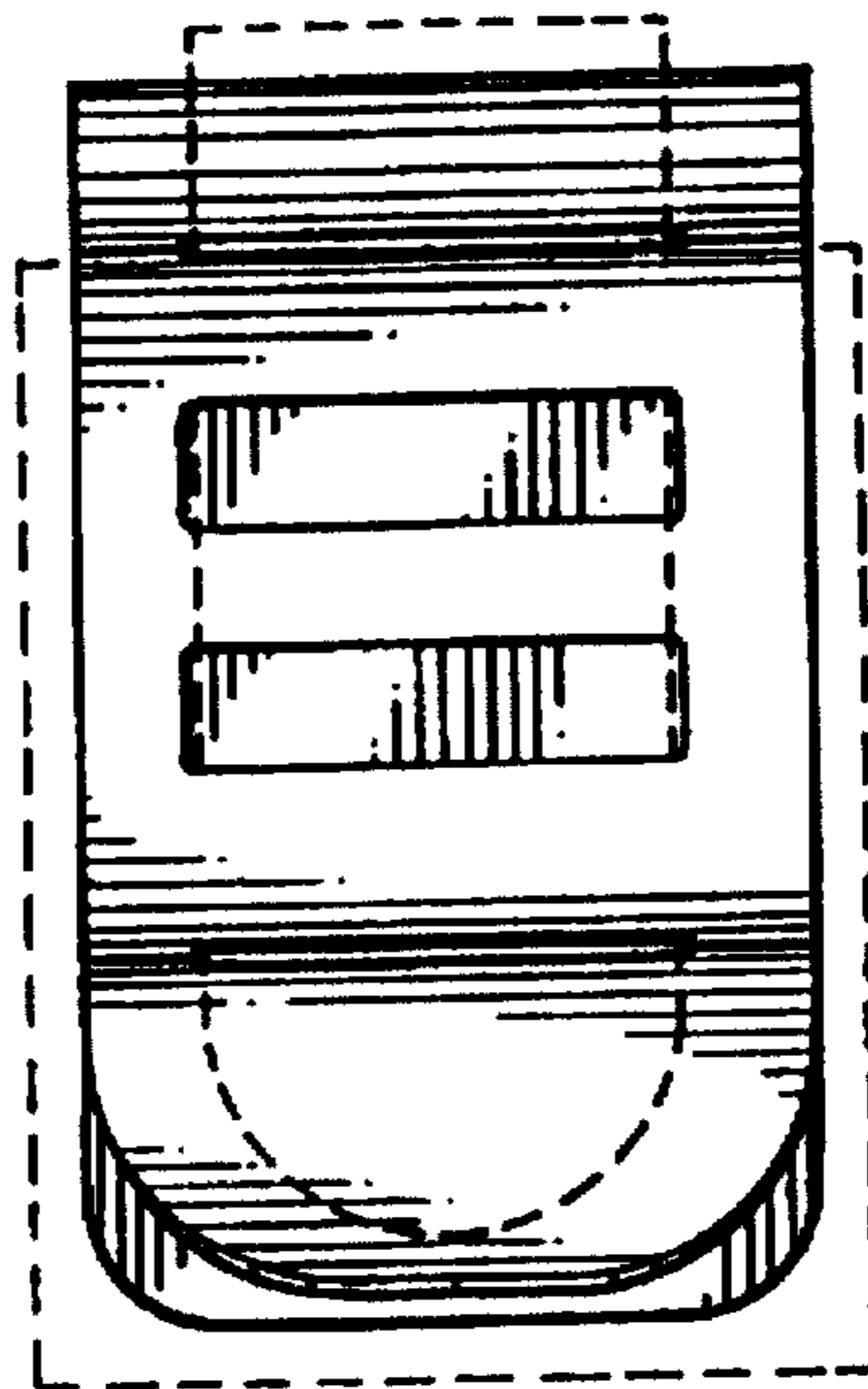


FIG. 2

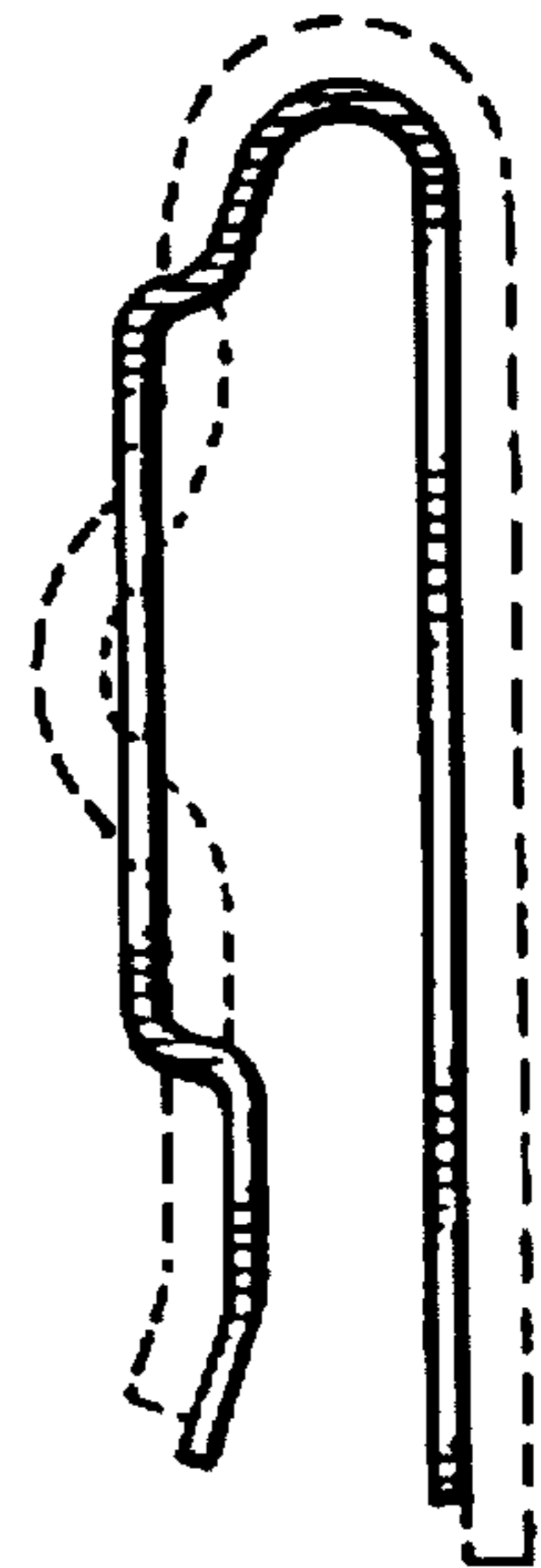


FIG. 6

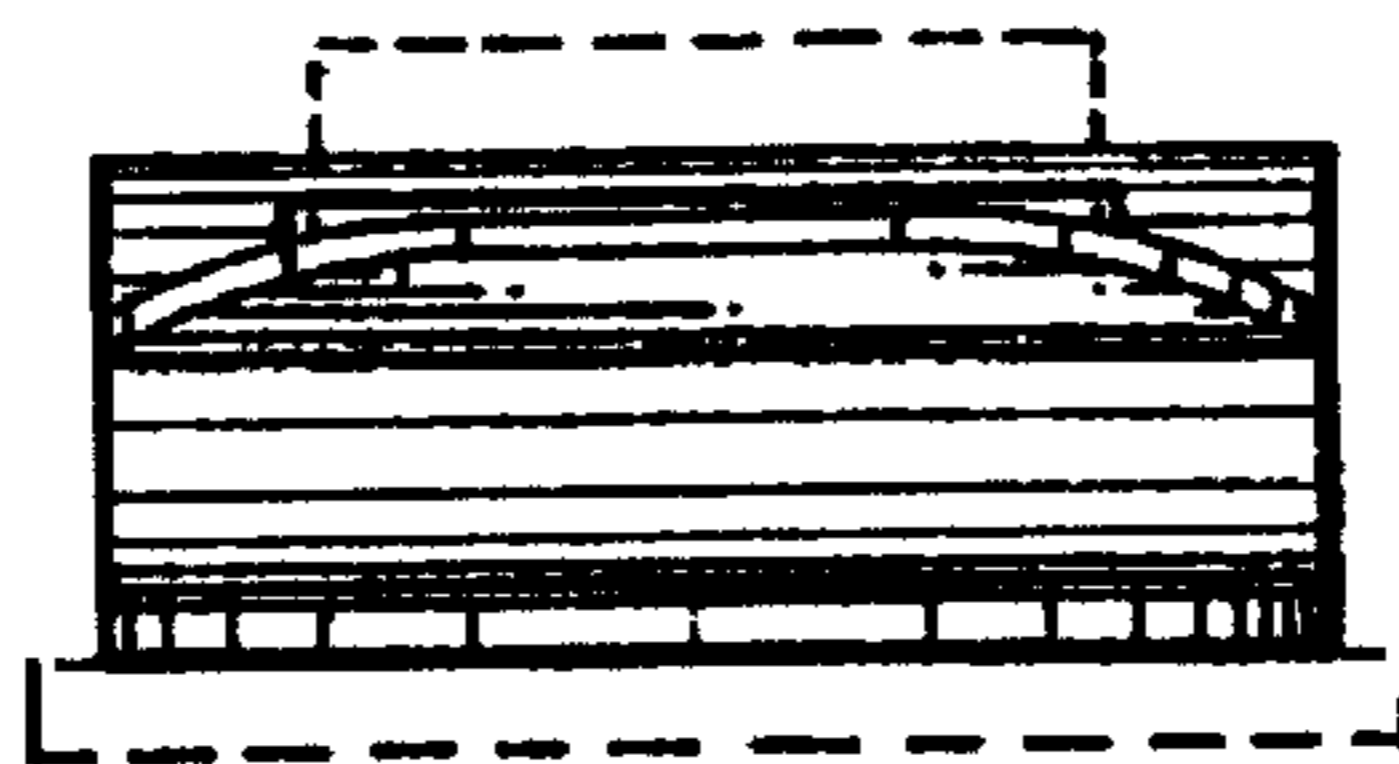


FIG. 4

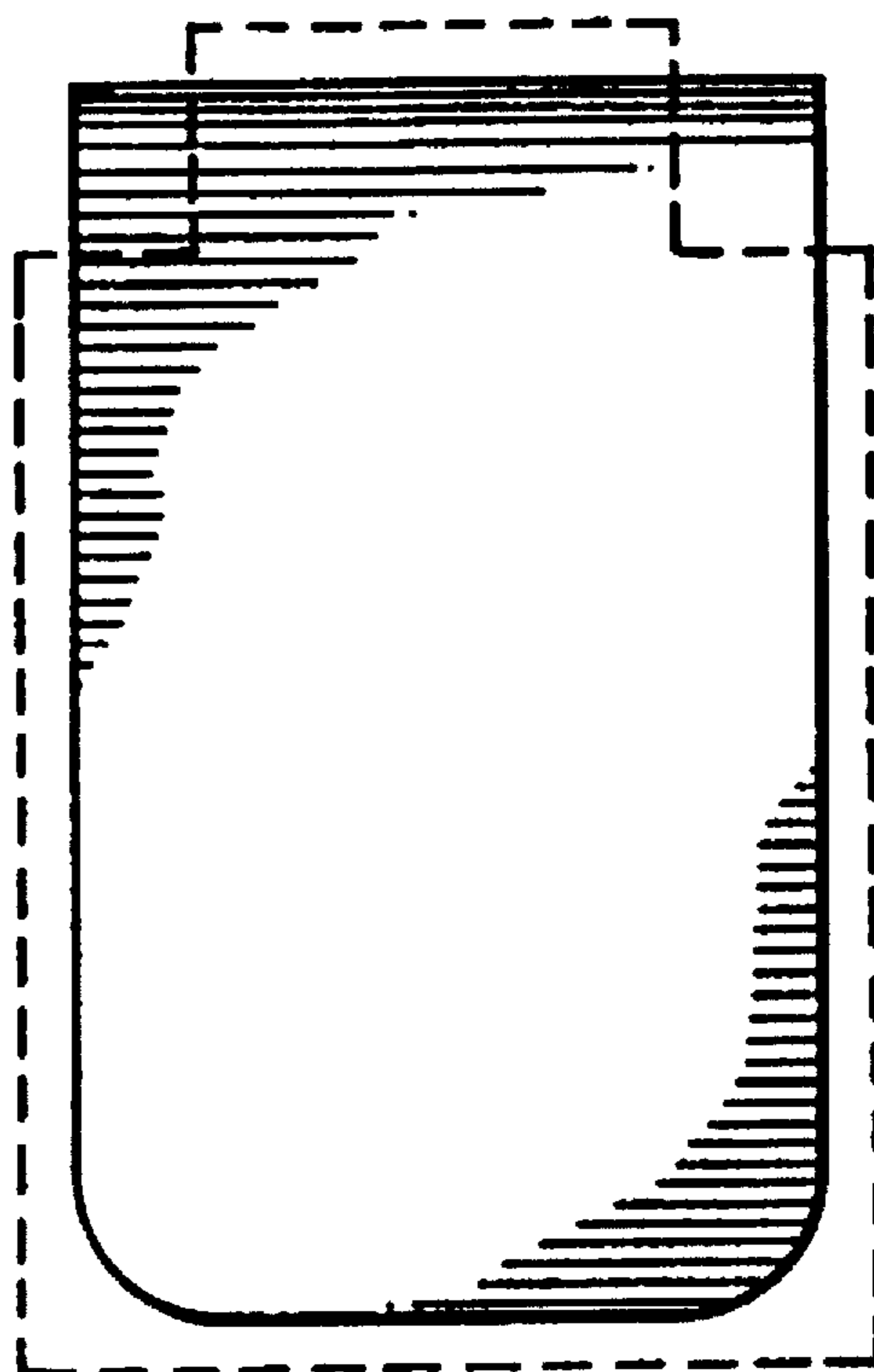


FIG. 7