



US00D388738S

United States Patent [19]

Weder et al.

[11] Patent Number: **Des. 388,738**

[45] Date of Patent: *****Jan. 6, 1998**

[54] **FLOWER POT COVER**

[75] Inventors: **Donald E. Weder; Joseph G. Straeter,**
both of Highland, Ill.

[73] Assignee: **Southpac Trust International, Inc.**

[*] Notice: The portion of the term of this patent
subsequent to Aug. 15, 2009, has been
disclaimed.

[**] Term: **14 Years**

[21] Appl. No.: **45,909**

[22] Filed: **Nov. 2, 1995**

D. 293,775	1/1988	Weder et al.	D11/164
D. 317,583	6/1991	Weder et al.	D11/164
D. 318,030	7/1991	Weder et al.	D11/164
D. 327,234	6/1992	Vaughn	D11/143
D. 352,918	11/1994	Weder et al.	D11/164
D. 361,296	8/1995	Weder et al.	D11/164
D. 361,960	9/1995	Weder et al.	D11/164
D. 362,828	10/1995	Weder et al.	D11/164
D. 364,115	11/1995	Wedetr et al.	D11/164
D. 364,119	11/1995	Weder et al.	D11/164
D. 364,581	11/1995	Weder et al.	D11/164
D. 365,042	12/1995	Weder et al.	D11/164
D. 365,302	12/1995	Weder et al.	D11/164
D. 366,009	1/1996	Weder et al.	D11/164
1,065,486	6/1913	Washburn	.	
2,355,559	8/1944	Renner	229/8
5,127,817	7/1992	Weder et al.	425/383
5,184,390	2/1993	Weder	29/525

Related U.S. Application Data

[60] Division of Ser. No. 3,557, Jan. 12, 1993, Pat. No. Des. 364,119, which is a continuation-in-part of Ser. No. 808,357, Dec. 16, 1991, abandoned, which is a continuation-in-part of Ser. No. 710,272, Jun. 4, 1991, Pat. No. Des. 365,302, which is a continuation-in-part of Ser. No. 617,454, Nov. 21, 1990, abandoned, Ser. No. 411,249, Sep. 22, 1989, Pat. No. Des. 358,113, Ser. No. 411,247, Sep. 22, 1989, abandoned, and Ser. No. 411,245, Sep. 22, 1989, abandoned.

[51] LOC (6) Cl. **11-02**

[52] U.S. Cl. **D11/164**

[58] Field of Search D11/143, 149,
D11/152-156, 164, 89, 90; 47/66, 72; 206/423;
215/100.5; 229/1.5 R, 1.5 B, 4.5, 108, 108.1,
109, 110, 87.01, 922, 930, 186, 189; 428/27,
35.1, 24, 542.6; 338/122; D9/346, 428-431;
D27/102, 133; D26/128-136; D19/96; D7/540,
584, 586, 587, 354

[56] References Cited

U.S. PATENT DOCUMENTS

D. 5,120	7/1871	Snow	.	
D. 5,806	4/1872	Palmer	.	
D. 50,435	3/1917	Stimpson	.	
D. 139,009	10/1944	Denenberg	D48/16
D. 174,733	5/1955	Bordman	D48/16
D. 292,182	10/1987	Weder et al.	D11/164
D. 292,562	11/1987	Weder et al.	D11/164
D. 293,224	12/1987	Weder et al.	D11/164

FOREIGN PATENT DOCUMENTS

103316 3/1938 Australia .

OTHER PUBLICATIONS

"Speed Cover—The Simple Solution For Those Peak Volume Periods", Highland Supply Corporation, copyright 1989, 4 pages.

Primary Examiner—Jeffrey Asch
Attorney, Agent, or Firm—Dunlap & Coddling, P.C.

[57] CLAIM

The ornamental design for a flower pot cover, as shown and described.

DESCRIPTION

FIG. 1 is a perspective view of our new flower pot cover design;

FIG. 2 is a side elevational view thereof;

FIG. 3 is a top plan view thereof;

FIG. 4 is a bottom plan view thereof;

FIG. 5 is a side elevational view of the design of FIG. 1, the only different being in the horizontal angle of the skirt;

FIG. 6 is a side elevational view of the design of FIG. 1, the only difference being in the near vertical angle of the skirt;

FIG. 7 is a side elevational view of the design of FIG. 1, the only difference being in the downward angle of the skirt;

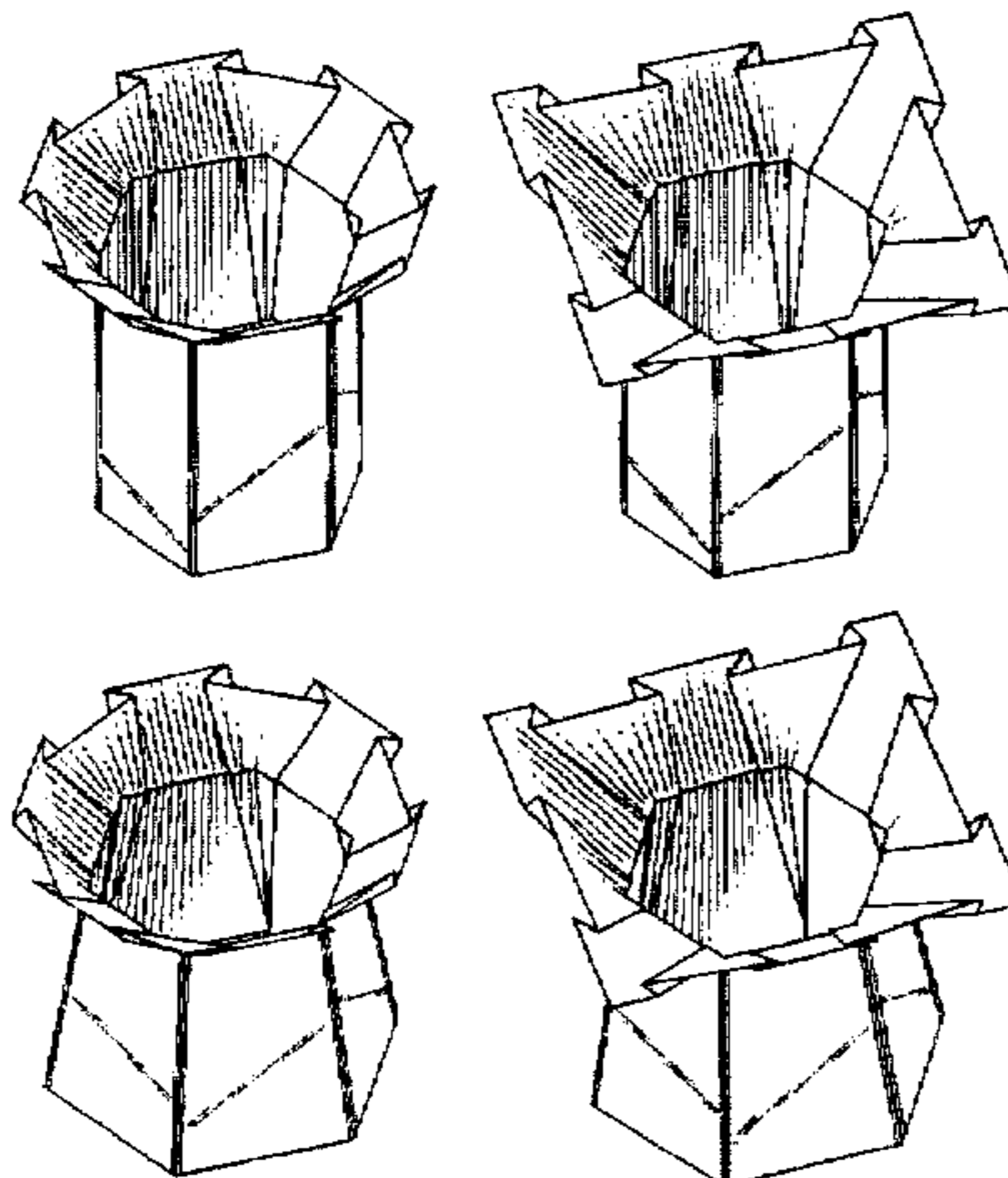


FIG. 8 is a perspective view of a second embodiment of our new flower pot cover design;

FIG. 9 is a side elevational view thereof;

FIG. 10 is a top plan view thereof;

FIG. 11 is a bottom plan view thereof;

FIG. 12 is a side elevational view of the design of FIG. 8, the only difference being in the horizontal angle of the skirt;

FIG. 13 is a side elevational view of the design of FIG. 8, the only difference being in the near vertical angle of the skirt;

FIG. 14 is a side elevational view of the design of FIG. 8, the only difference being in the downward angle of the skirt;

FIG. 15 is a perspective view of a third embodiment of our new flower pot cover design;

FIG. 16 is a side elevational view thereof;

FIG. 17 is a top plan view thereof;

FIG. 18 is a bottom plan view thereof;

FIG. 19 is a side elevational view of the design of FIG. 15, the only difference being in the horizontal angle of the skirt;

FIG. 20 is a side elevational view of the design of FIG. 15, the only difference being in the near vertical angle of the skirt;

FIG. 21 is a side elevational view of the design of FIG. 15, the only difference being in the downward angle of the skirt;

FIG. 22 is a perspective view of a fourth embodiment of our new flower pot cover design;

FIG. 23 is a side elevational view thereof;

FIG. 24 is a top plan view thereof;

FIG. 25 is a bottom plan view thereof;

FIG. 26 is a side elevational view of the design of FIG. 22, the only difference being in the horizontal angle of the skirt;

FIG. 27 is a side elevational view of the design of FIG. 22, the only difference being in the near vertical angle of the skirt; and,

FIG. 28 is a side elevational view of the design of FIG. 22, the only difference being in the downward angle of the skirt.

The flower pot cover has no substantial thickness.

1 Claim, 6 Drawing Sheets

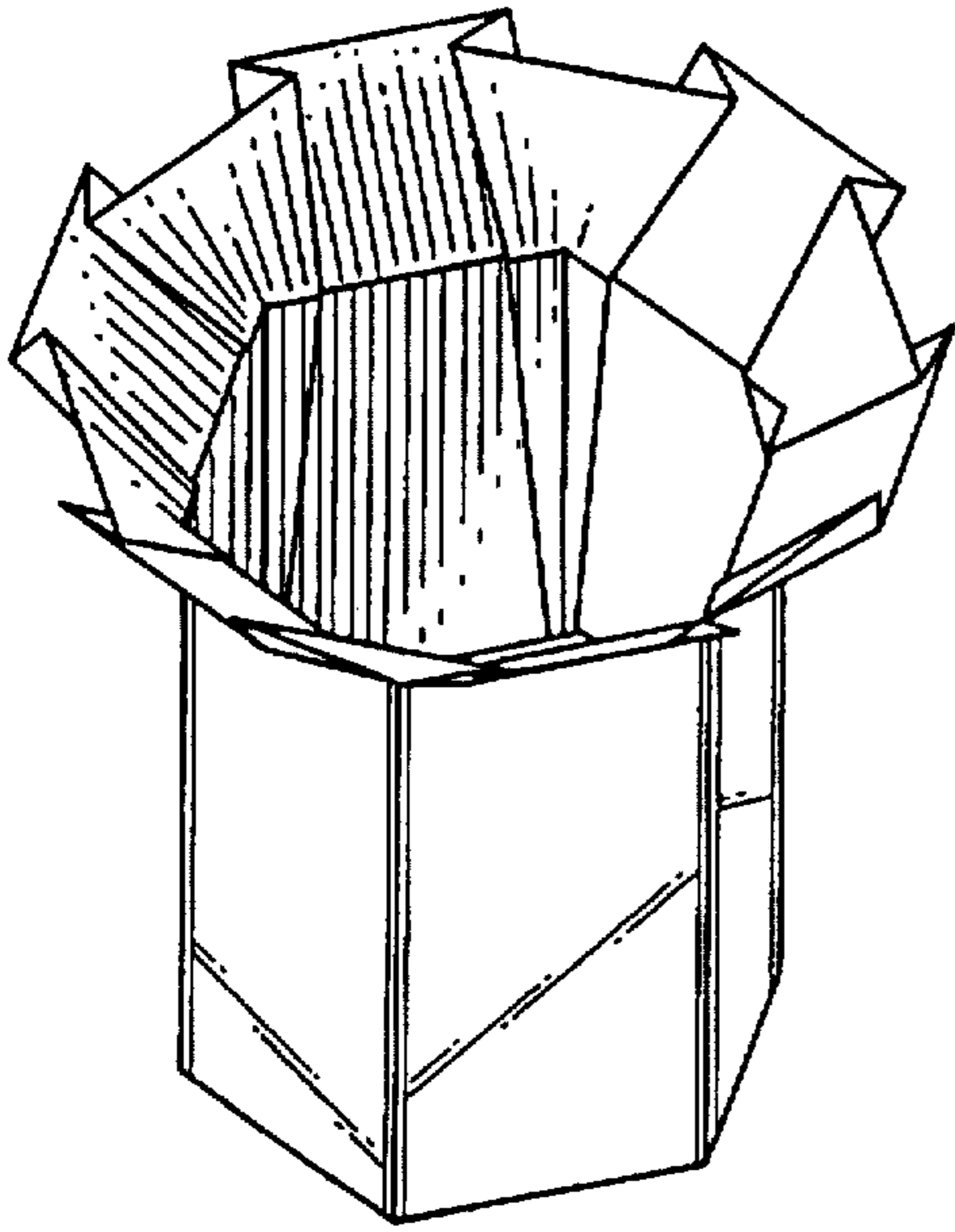


Fig. 1

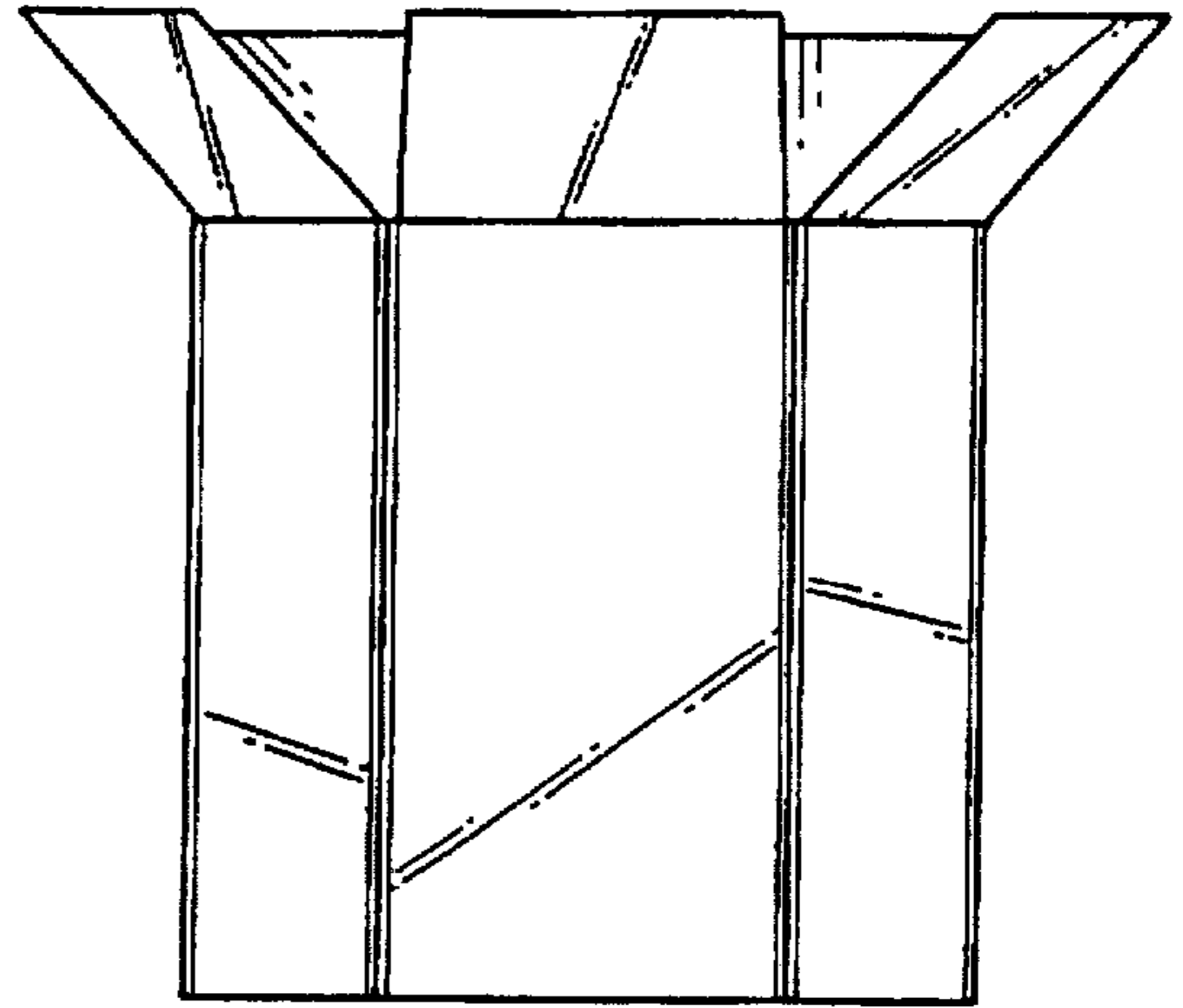


Fig. 2

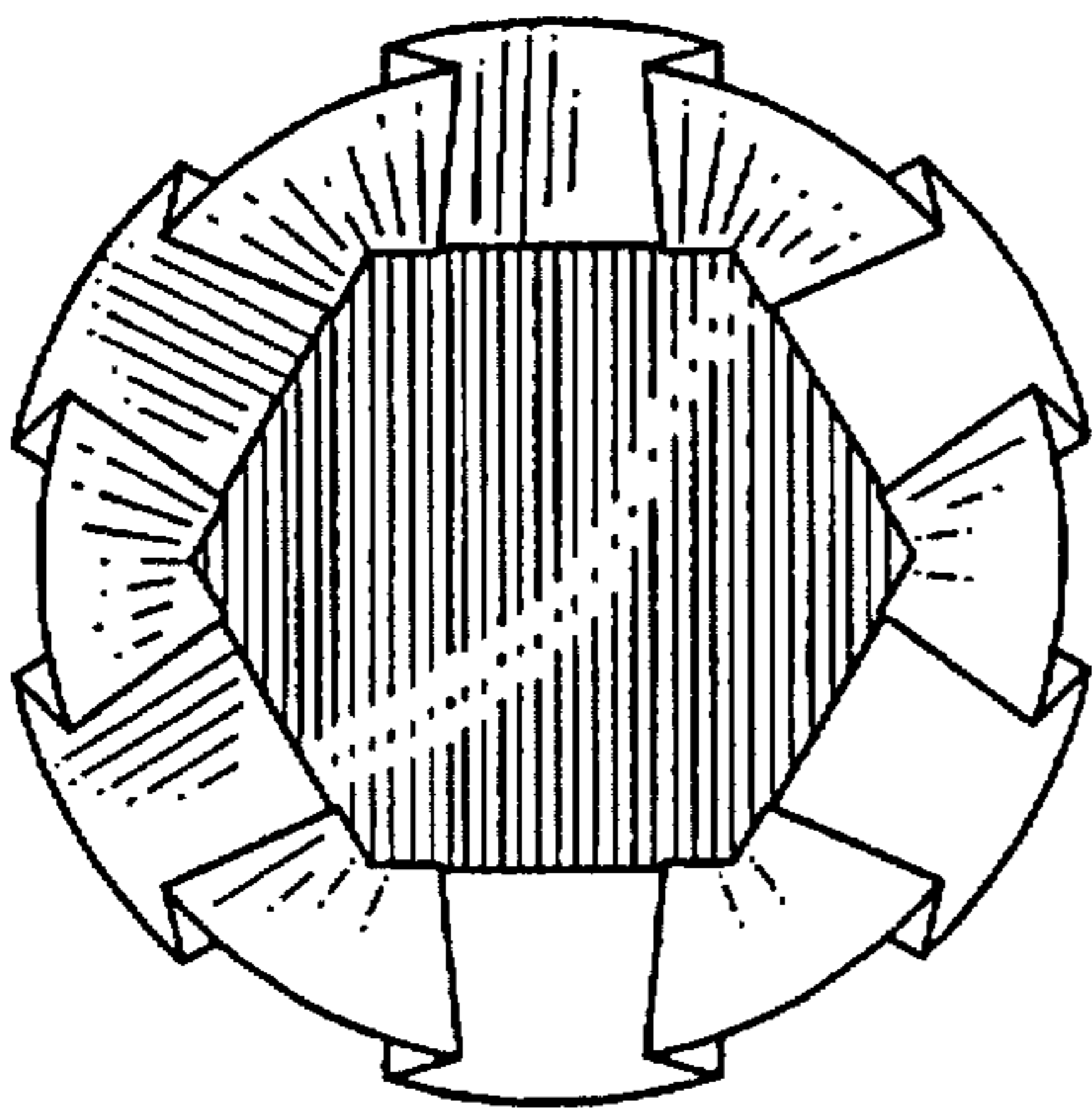


Fig. 3

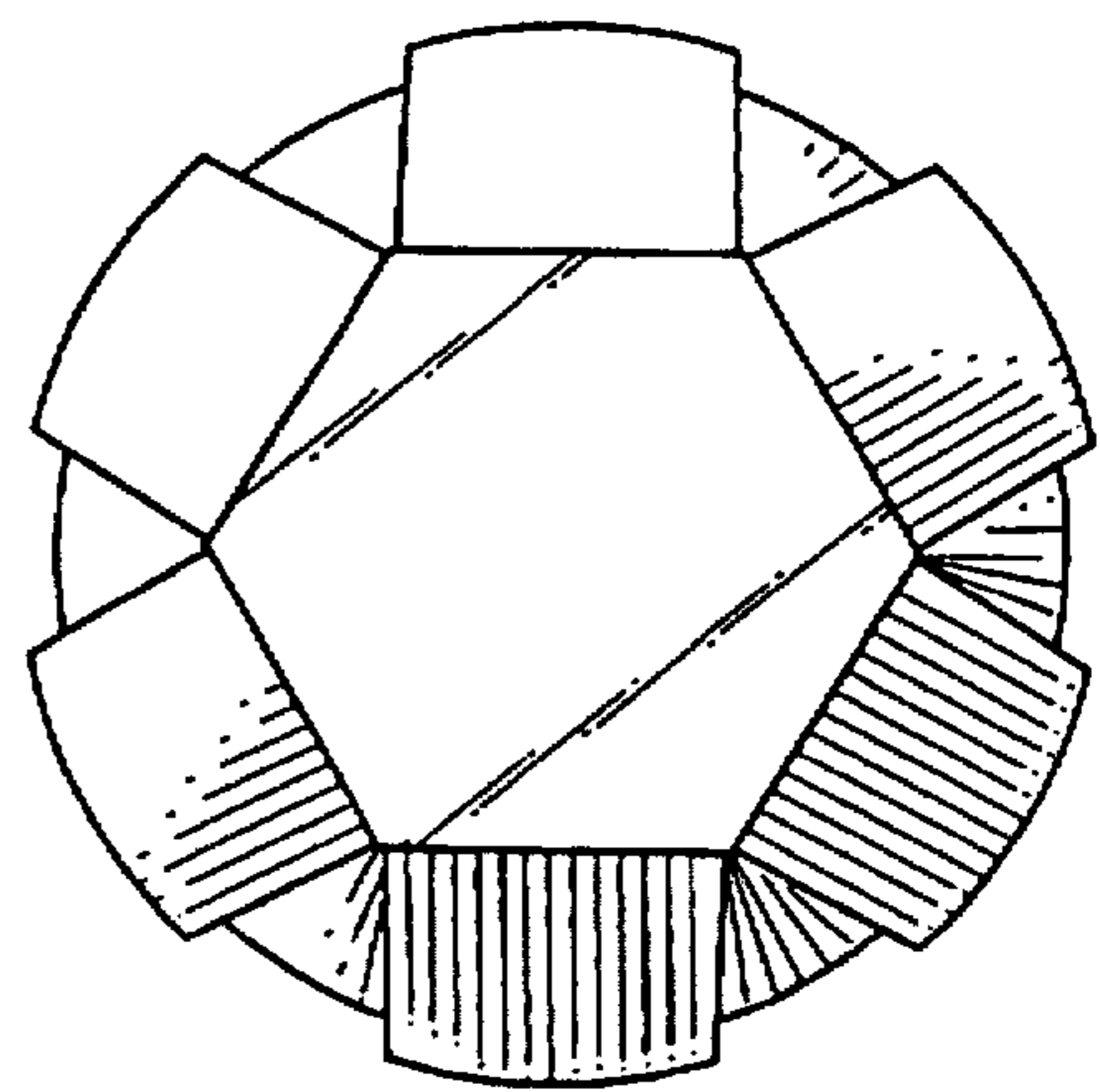


Fig. 4

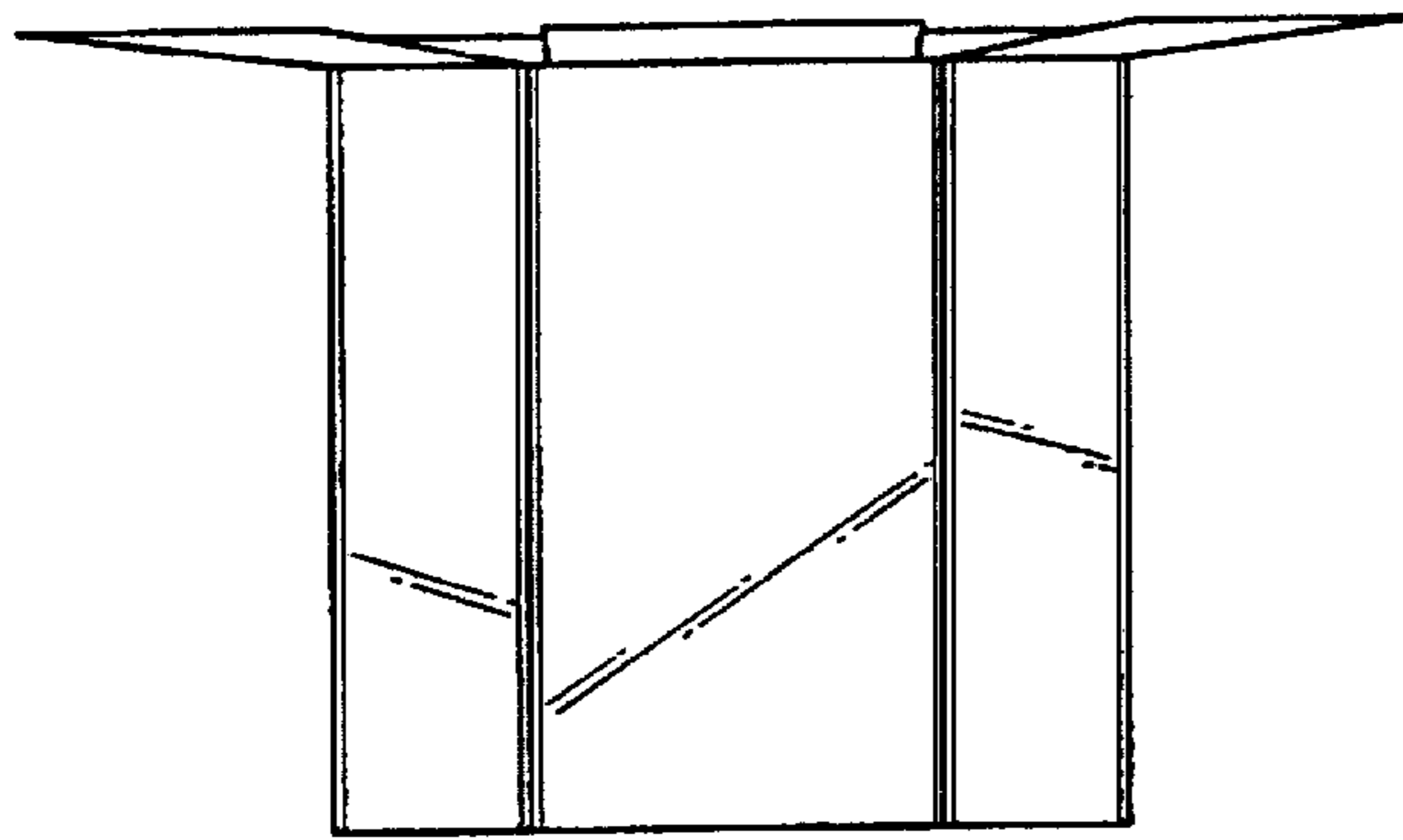


Fig. 5

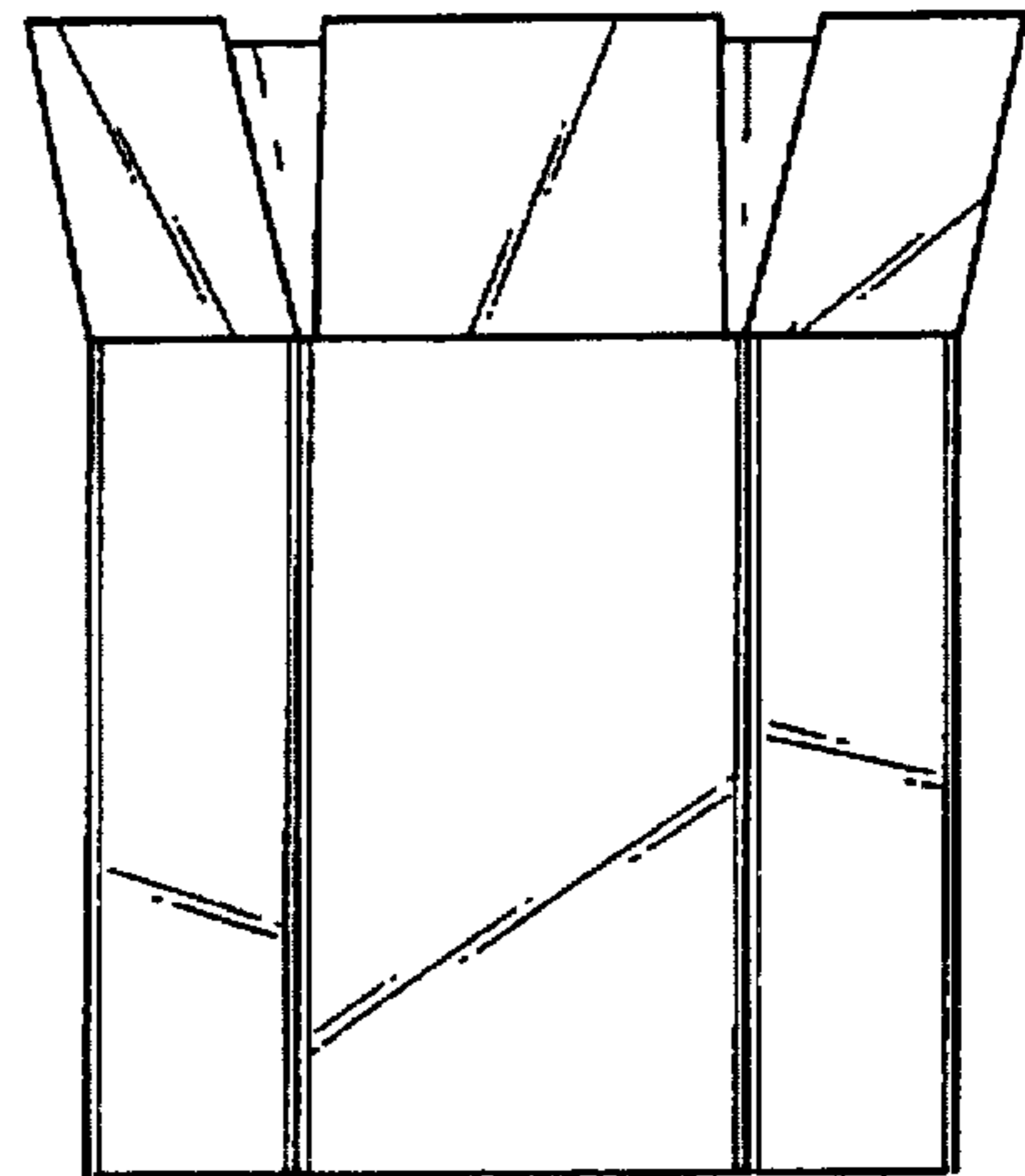


Fig. 6

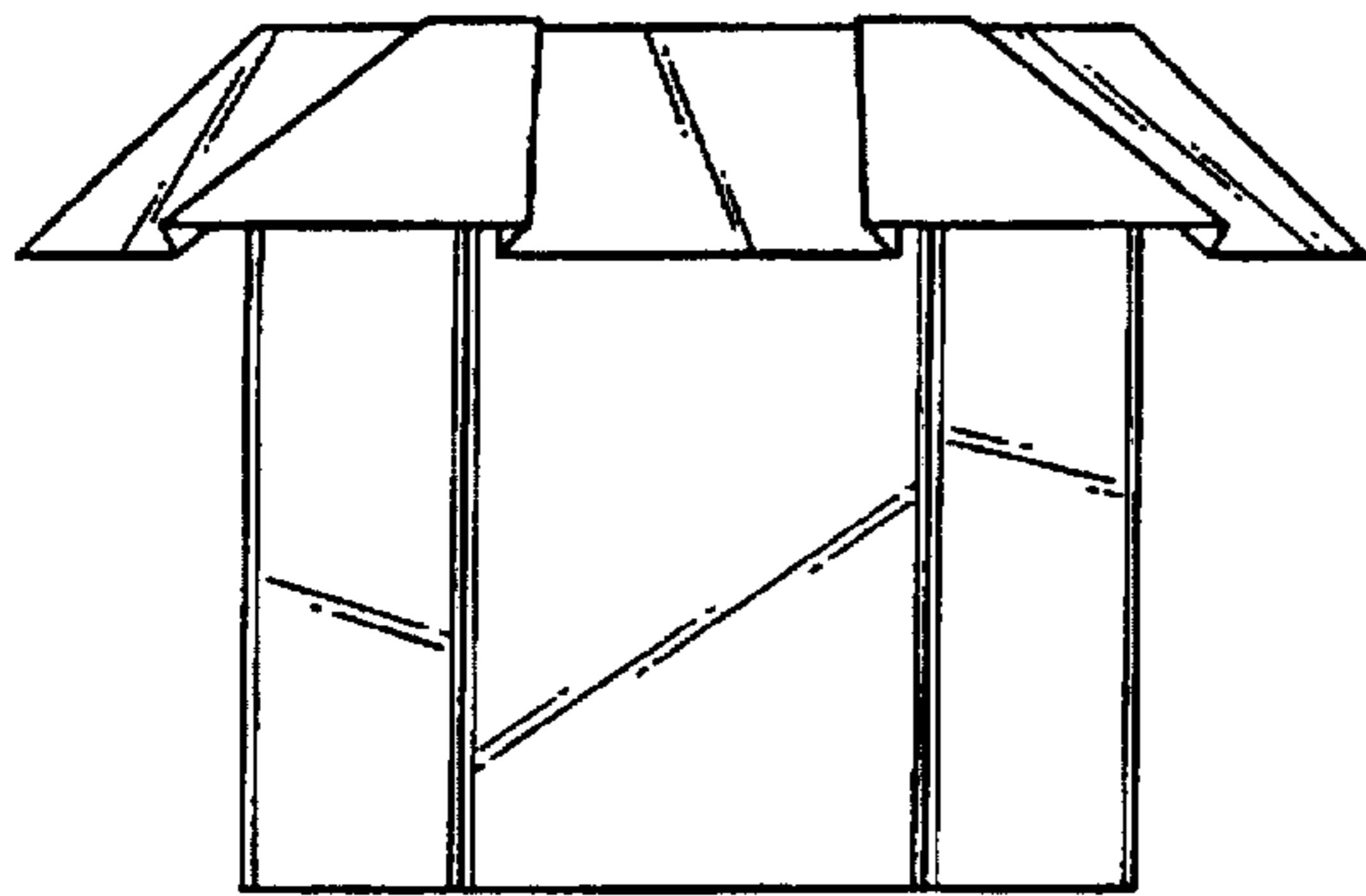


Fig. 7

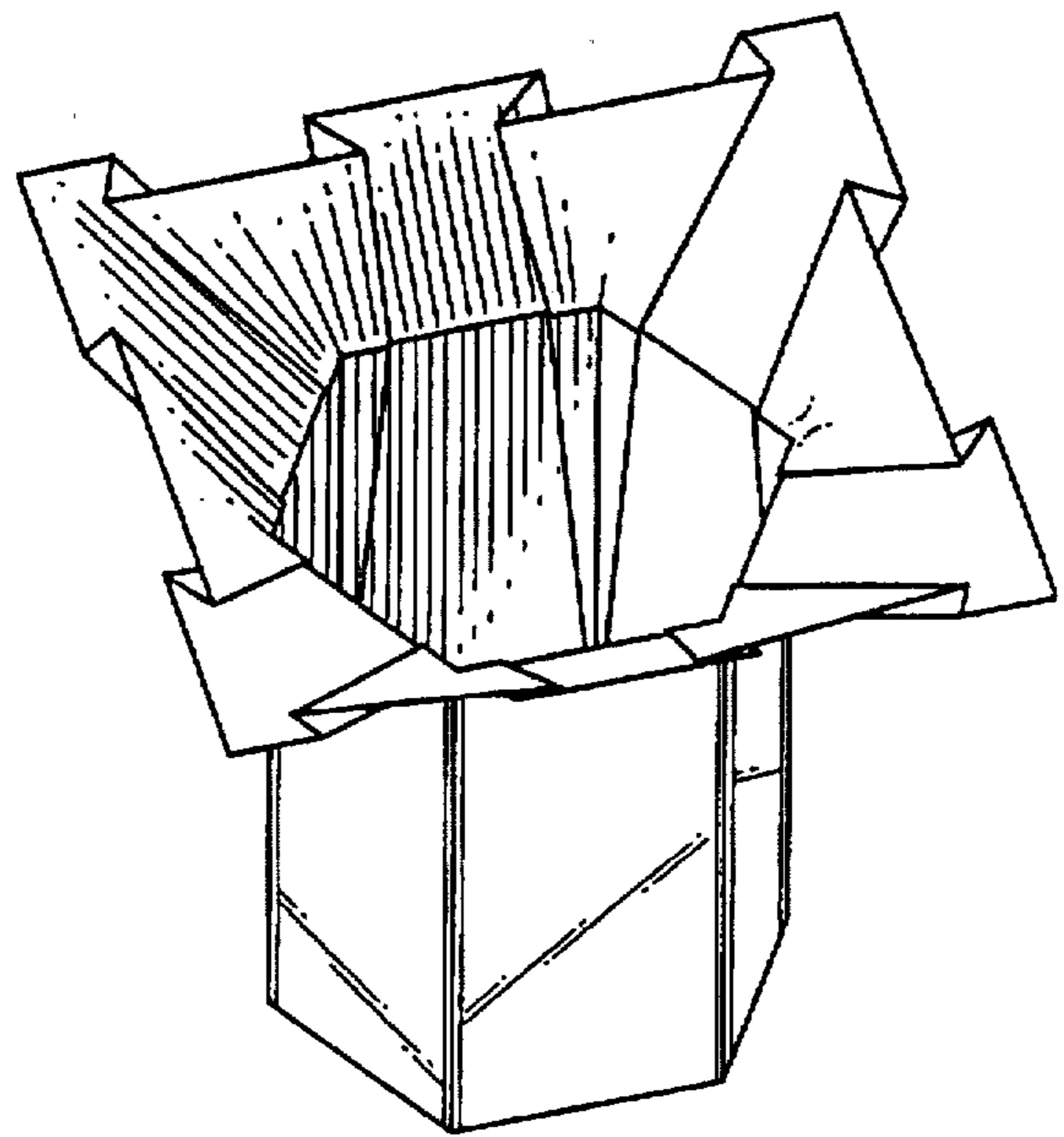


Fig. 8

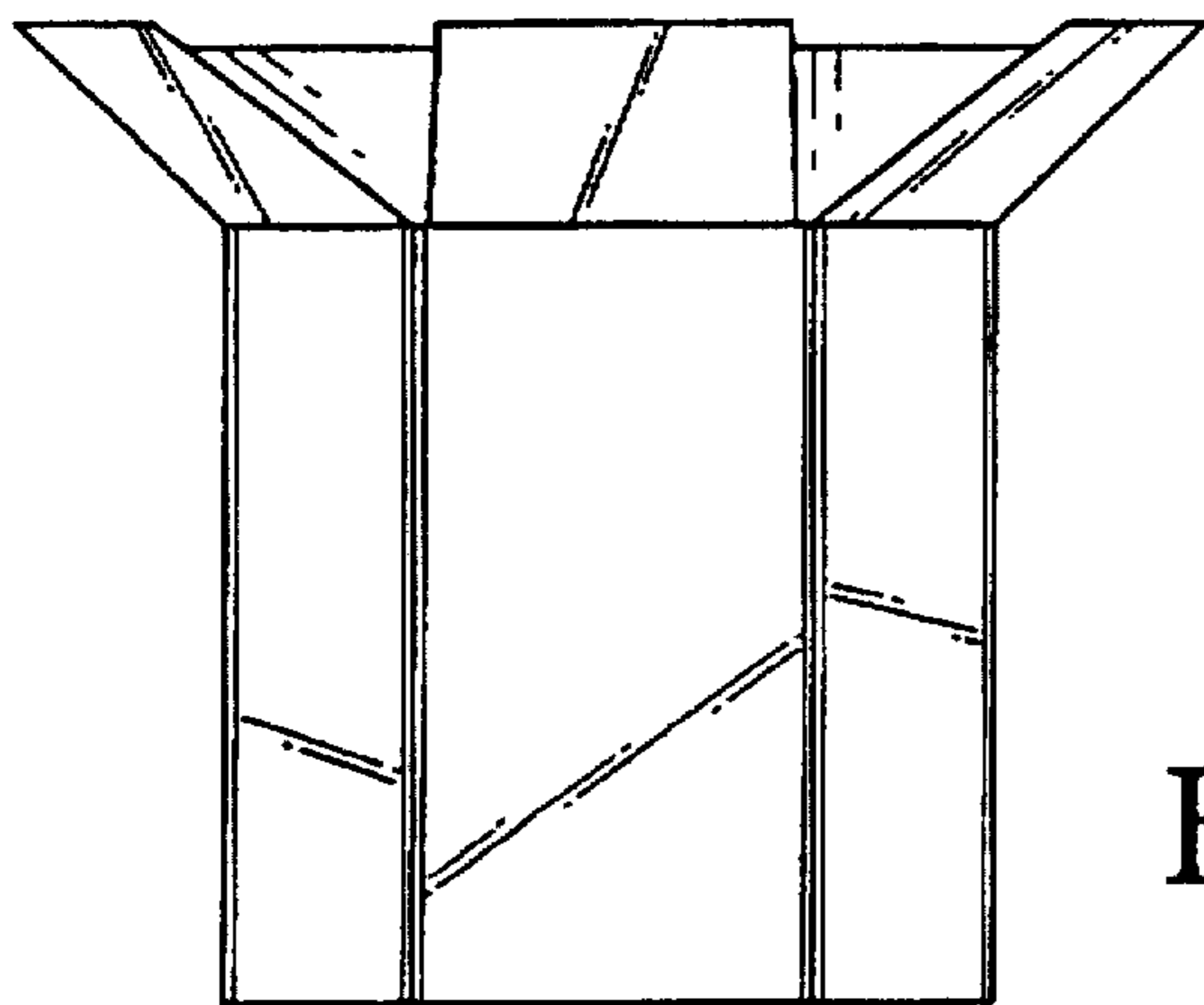


Fig. 9

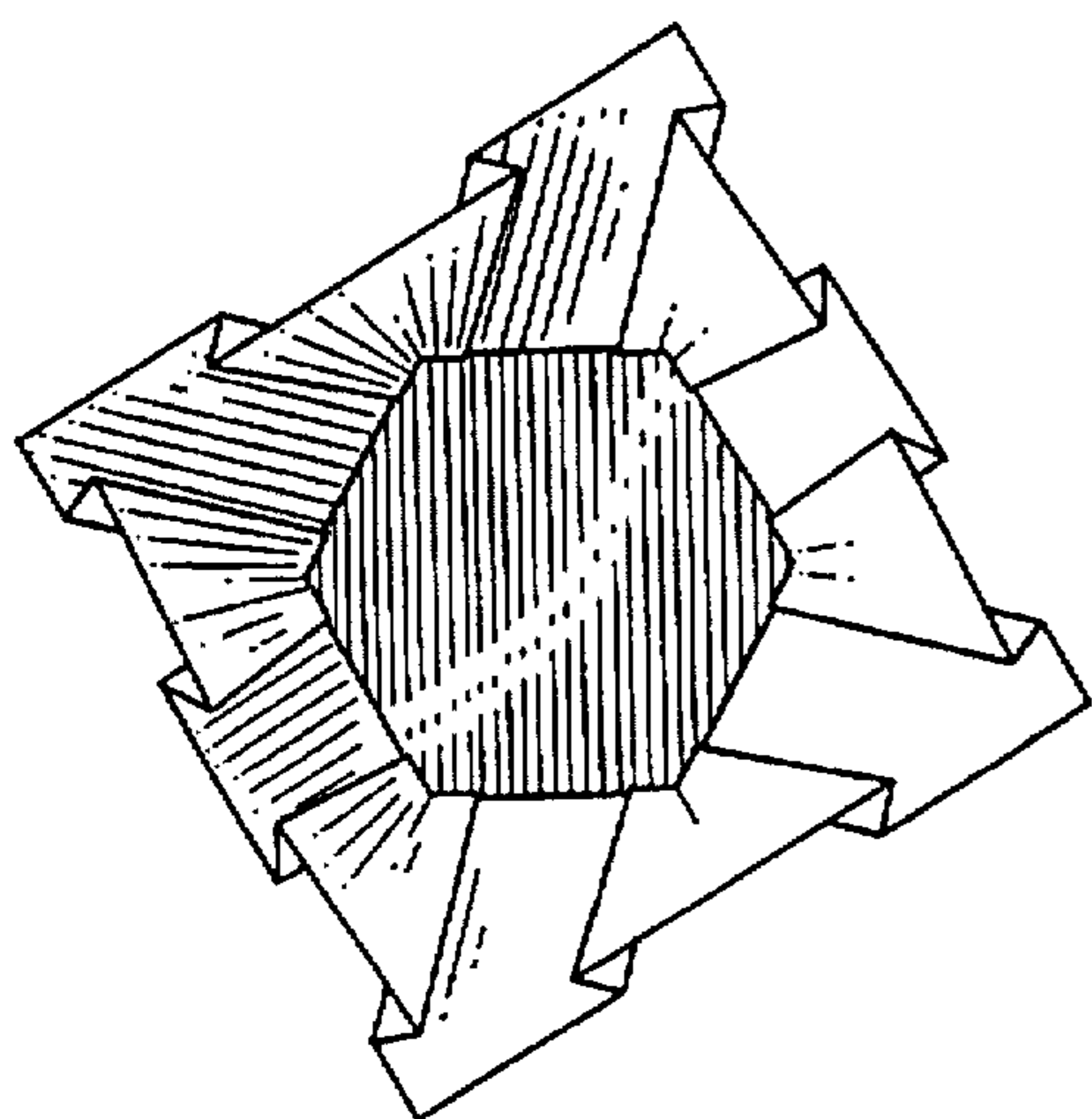


Fig. 10

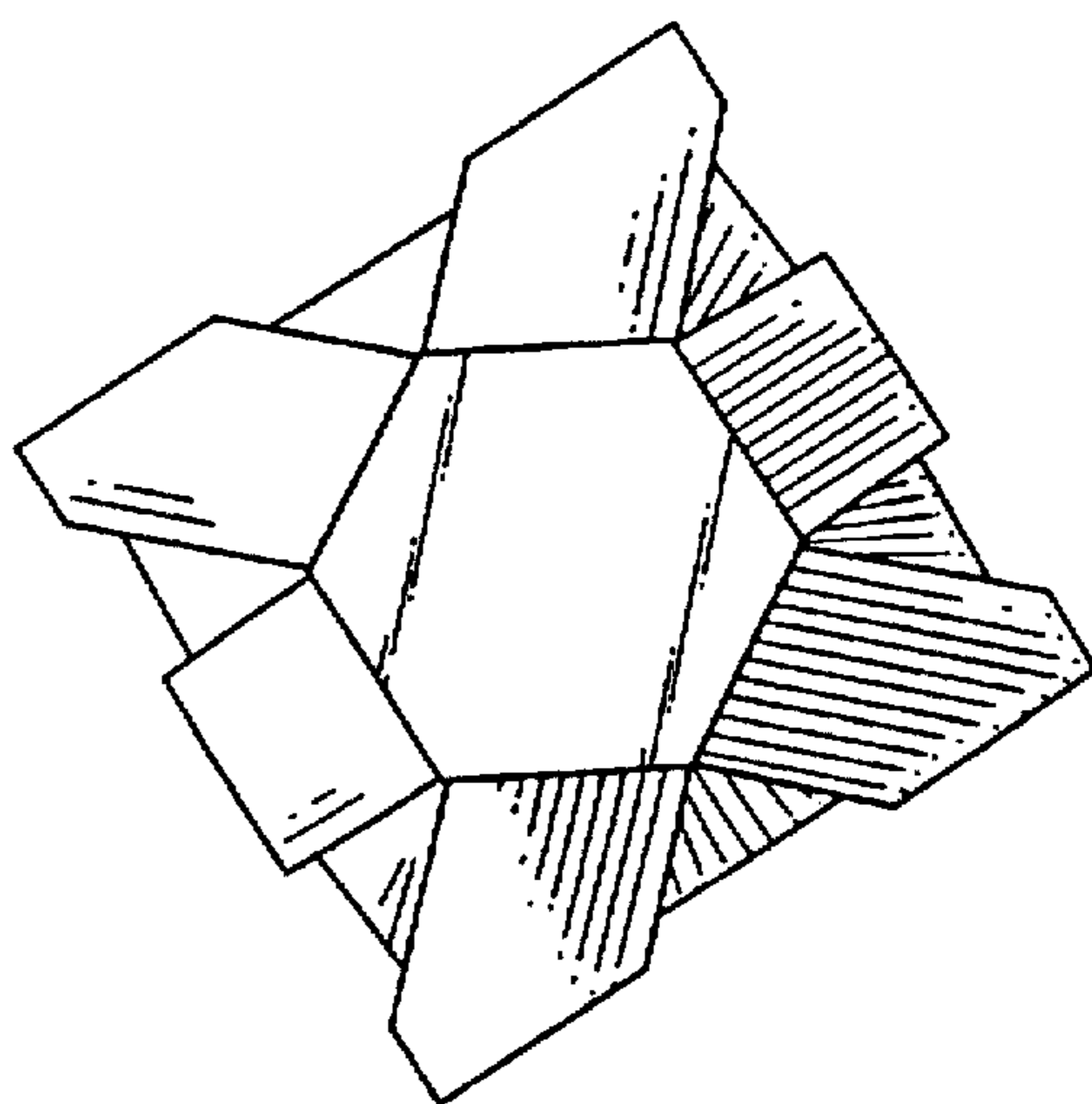


Fig. 11

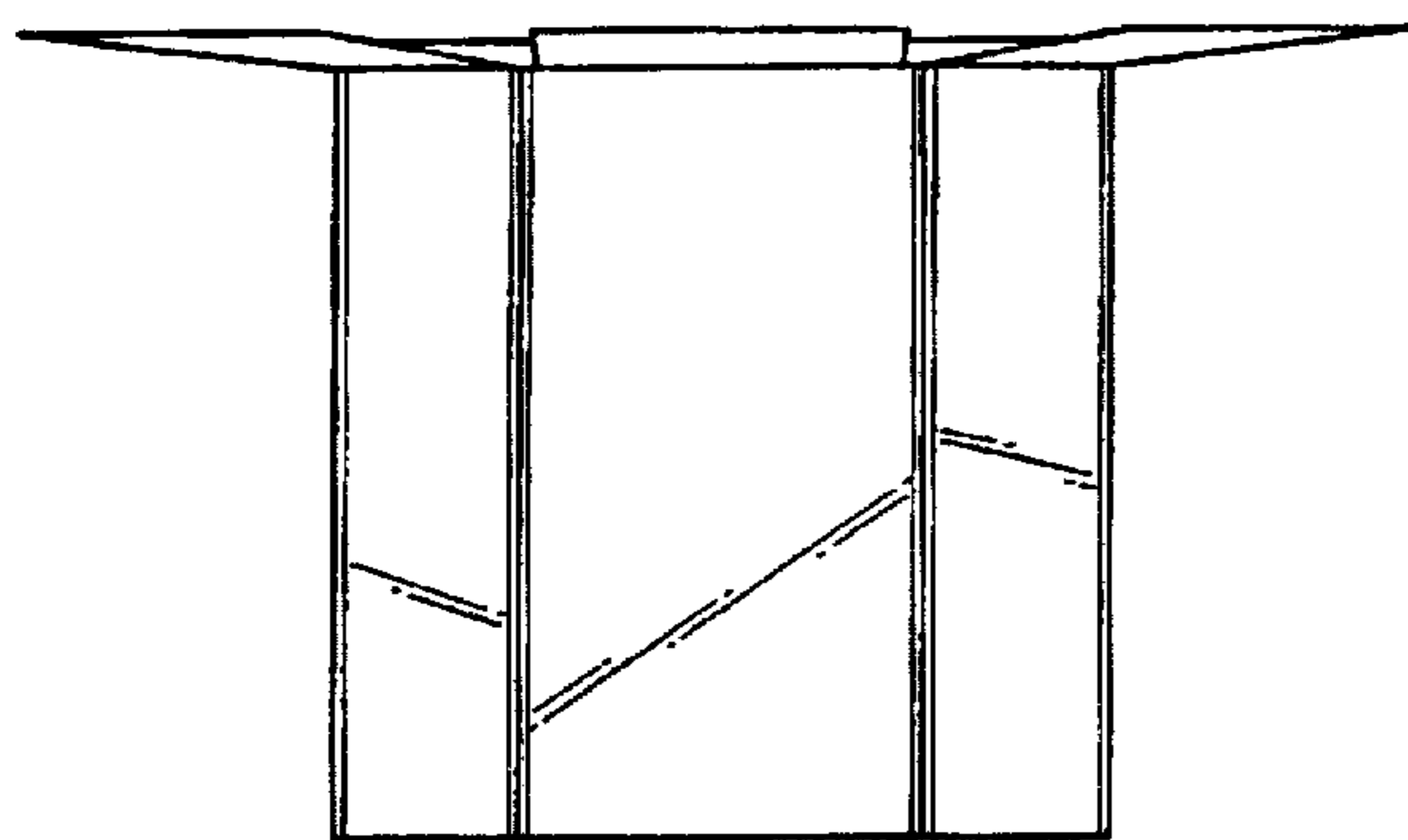


Fig. 12

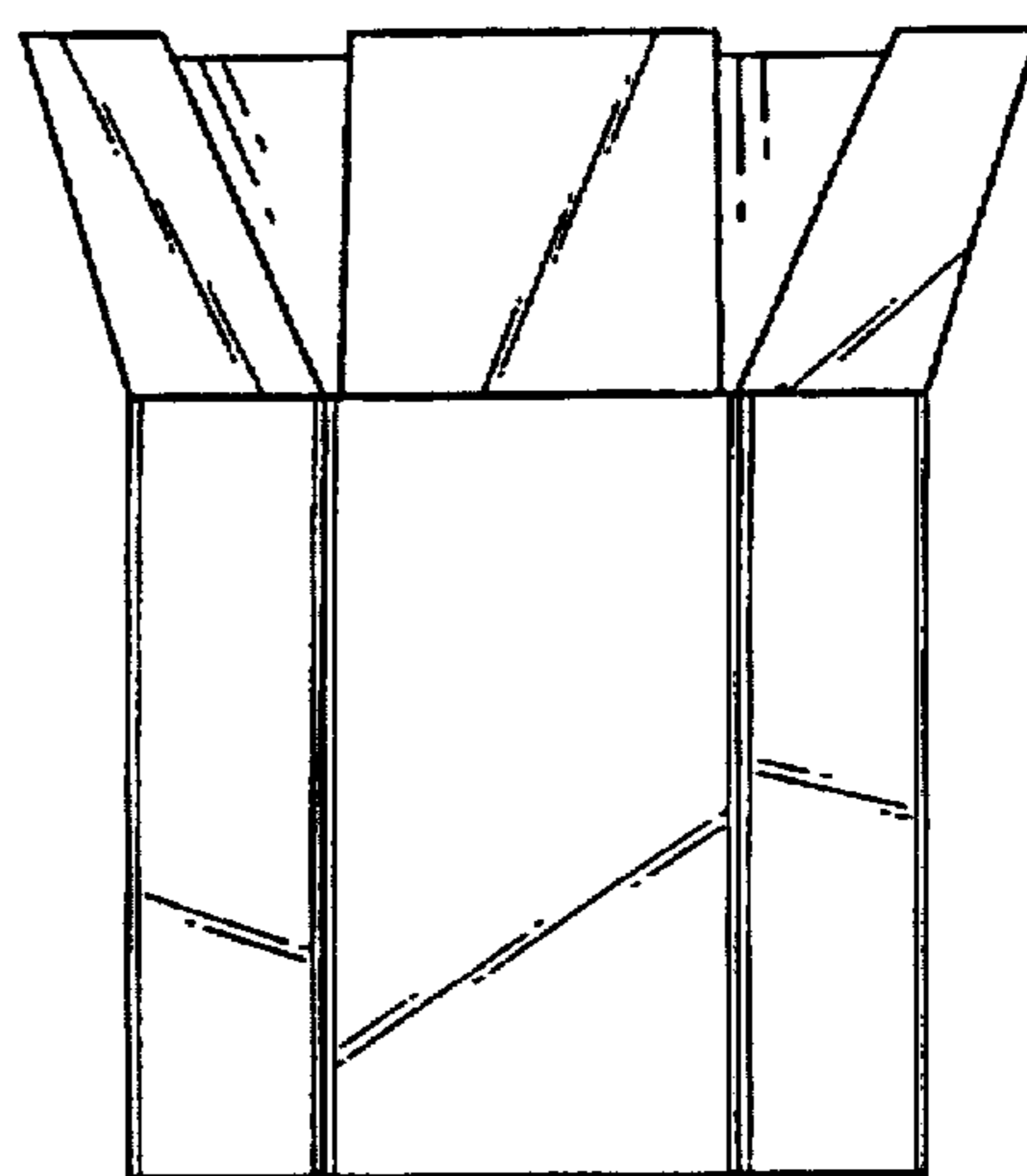


Fig. 13

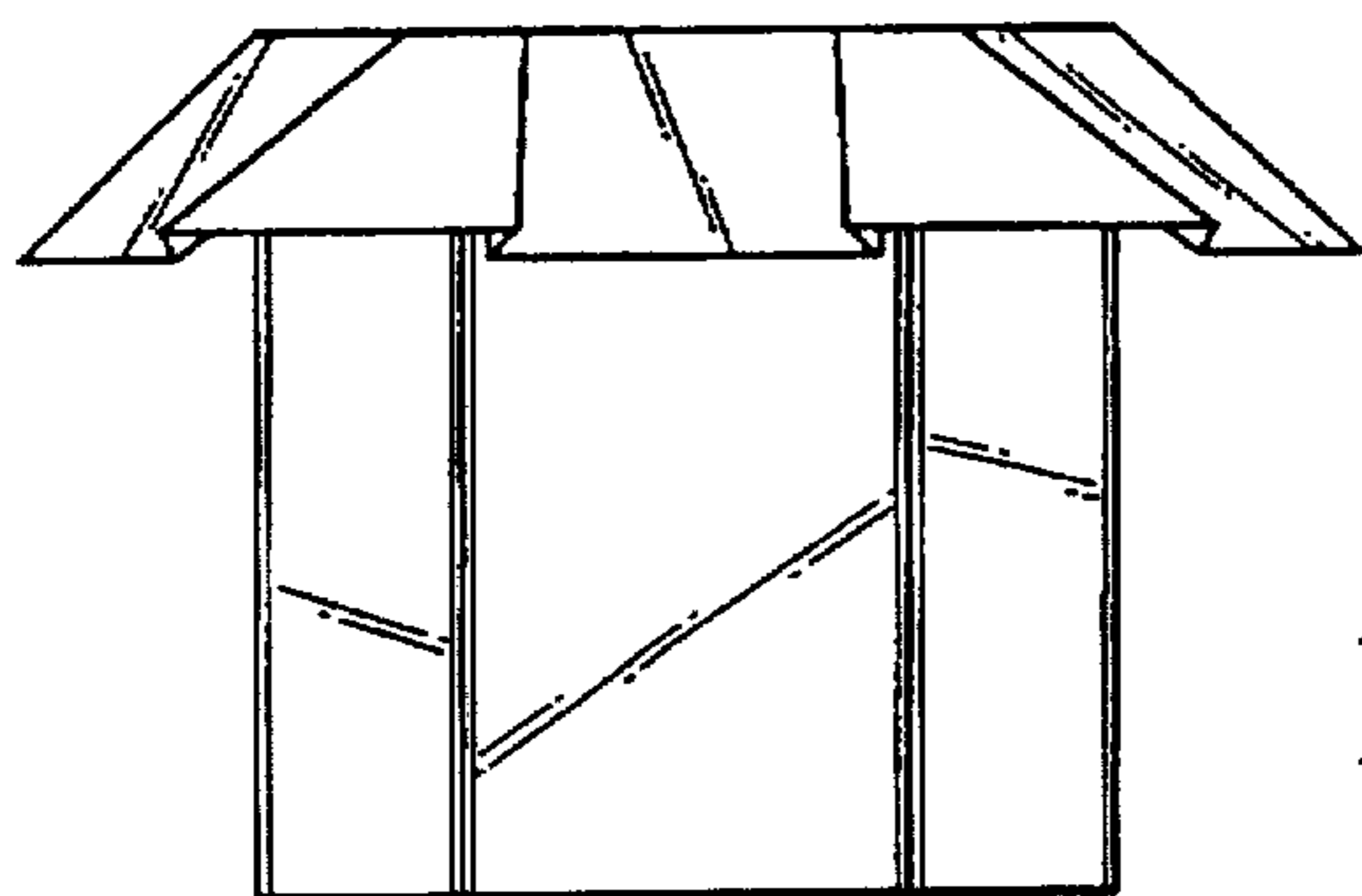


Fig. 14

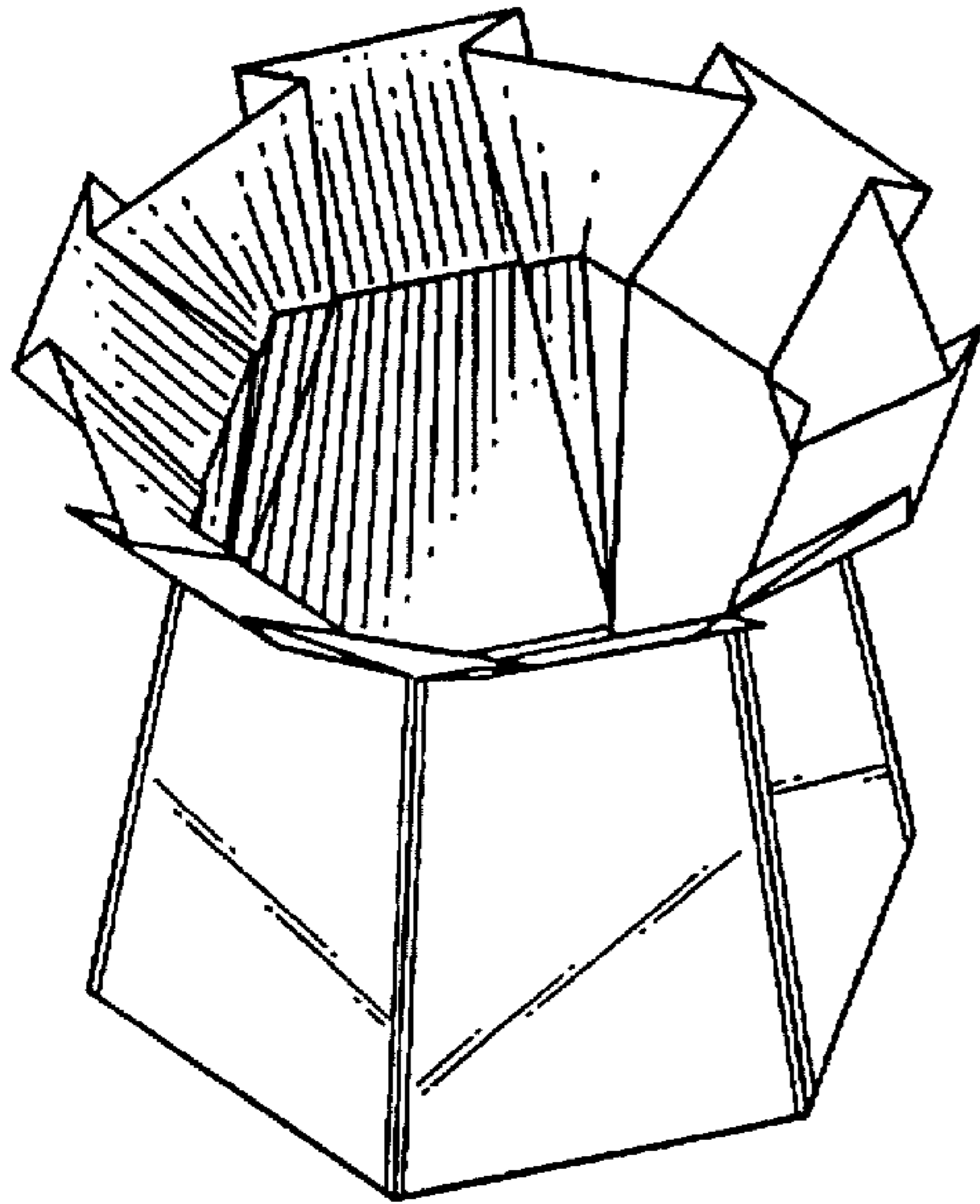


Fig. 15

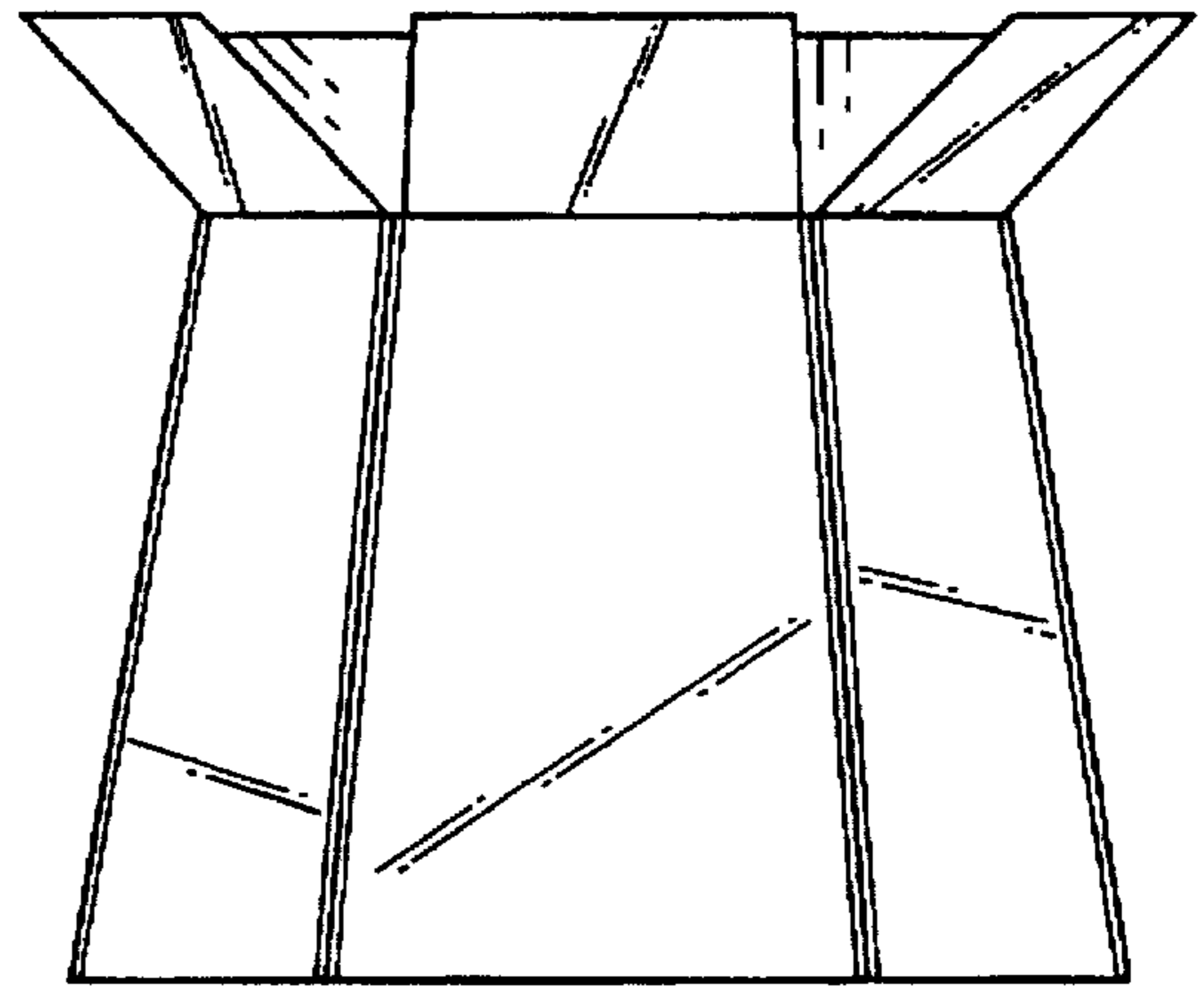


Fig. 16

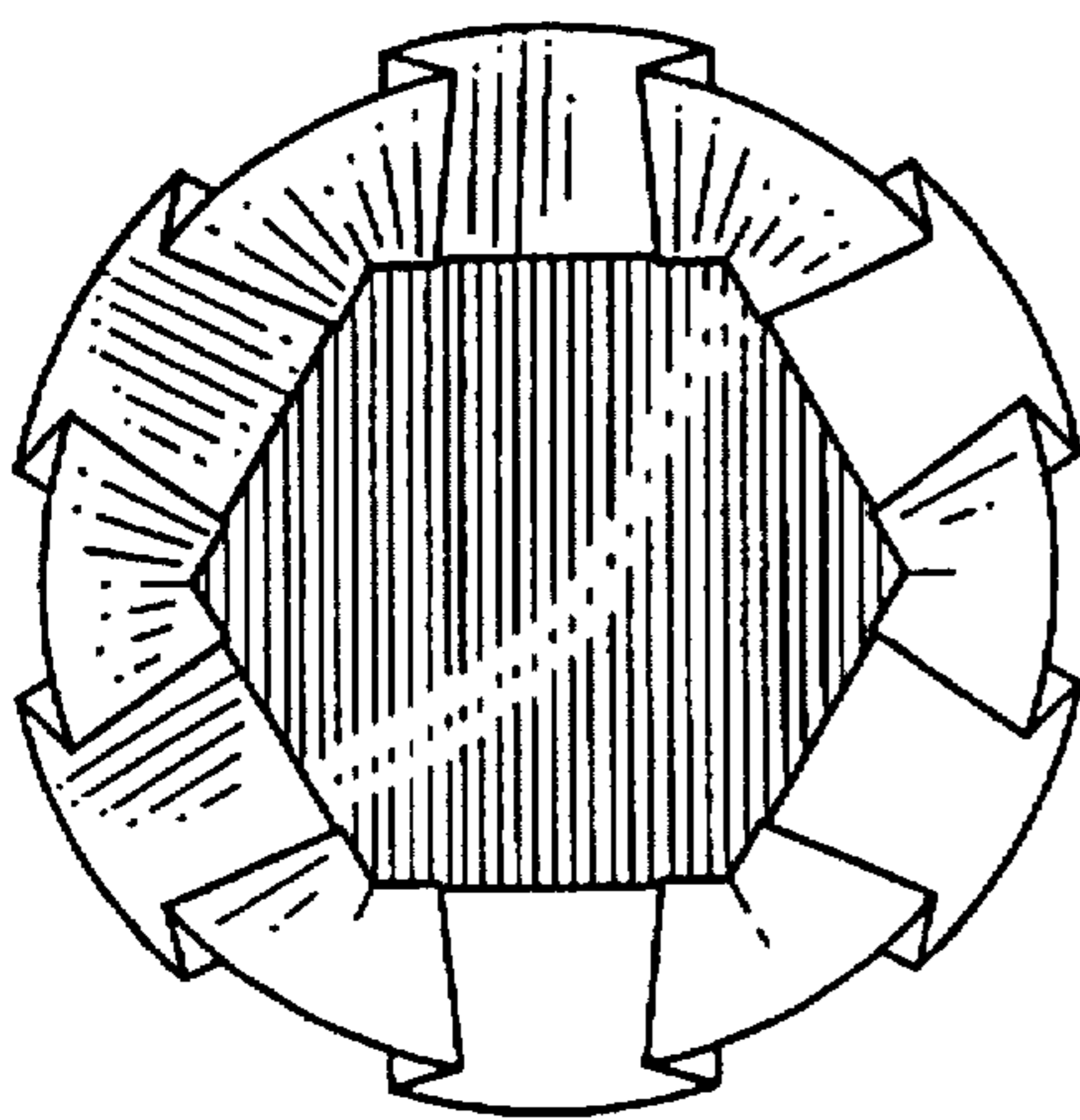


Fig. 17

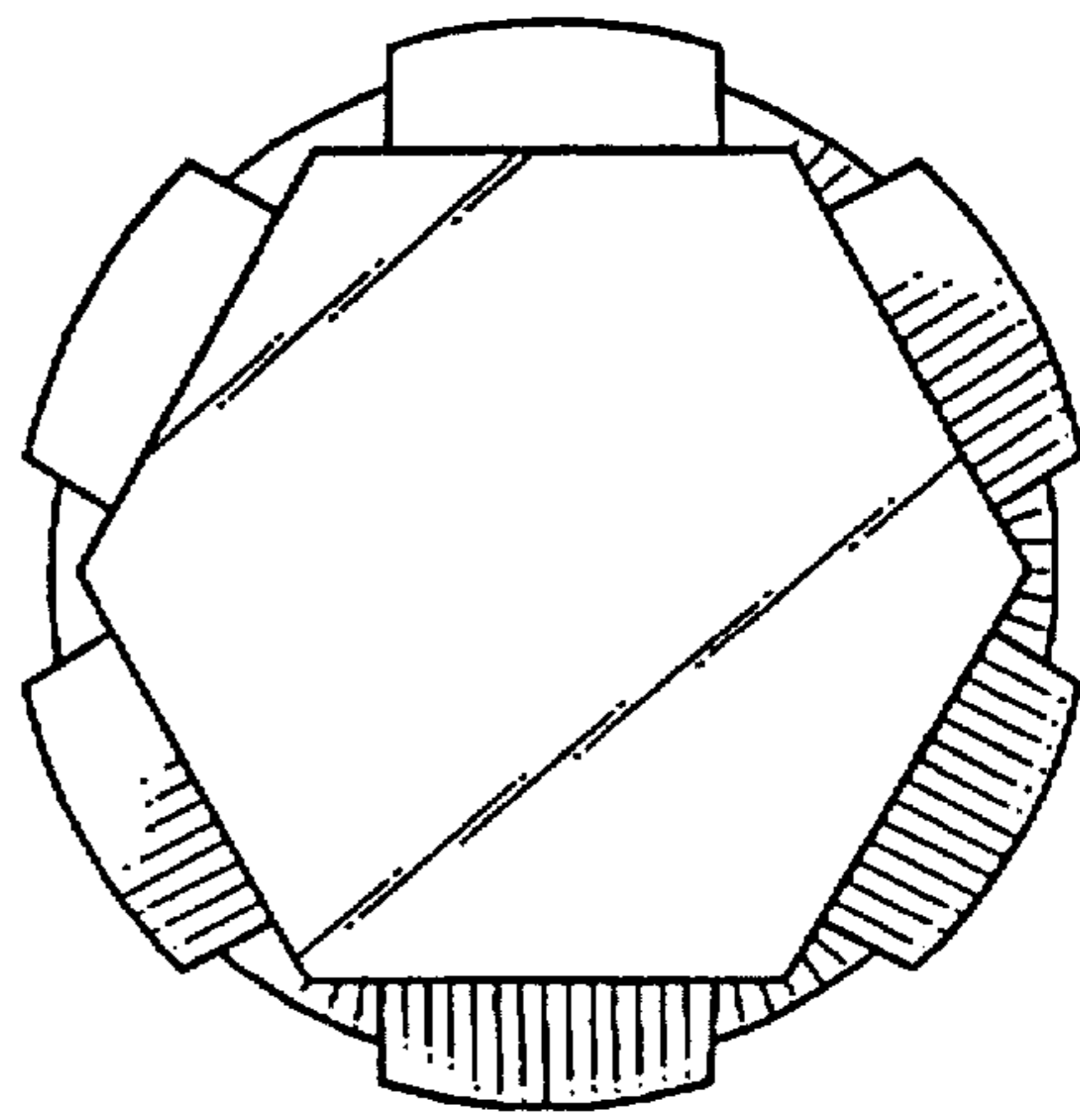


Fig. 18

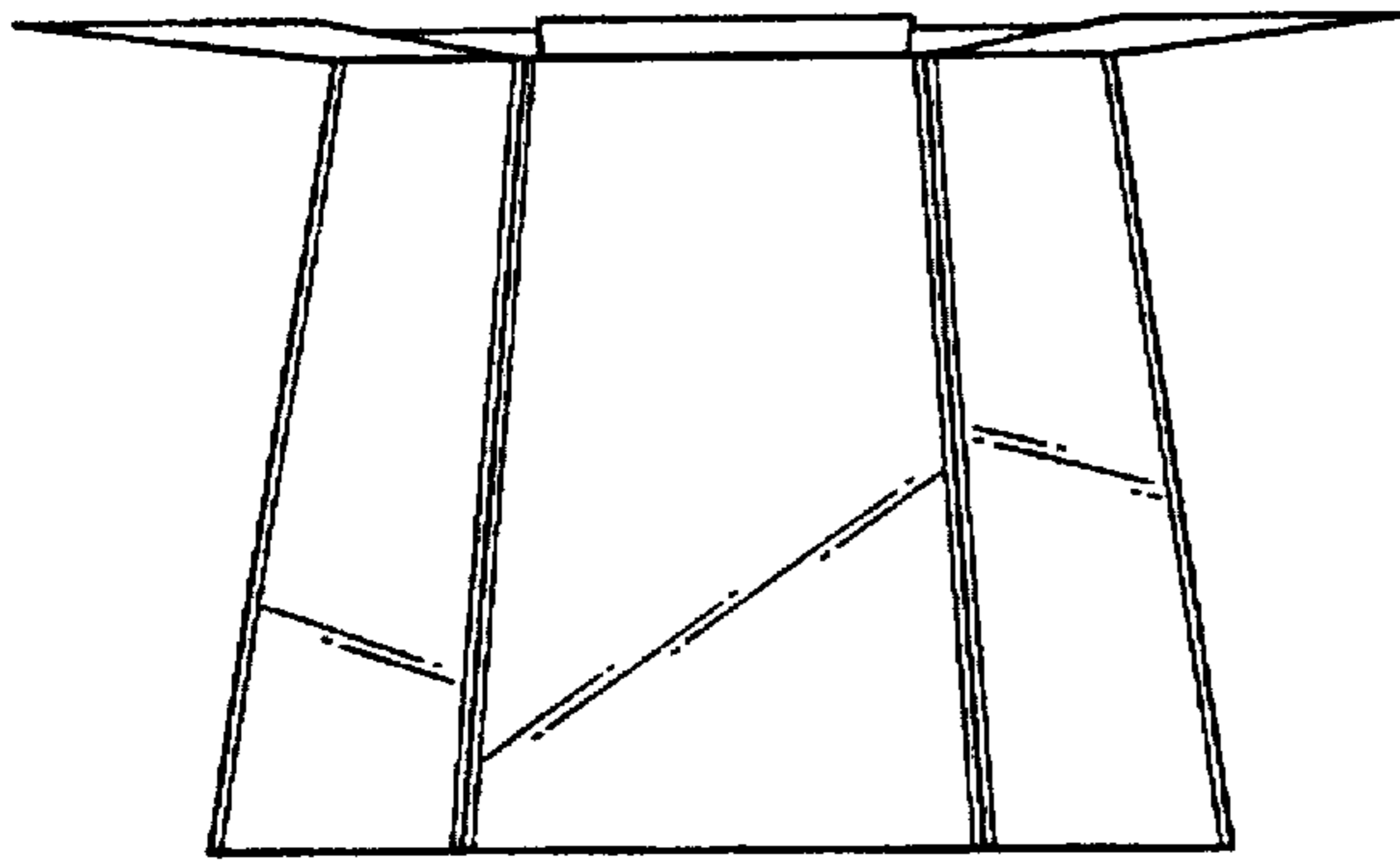


Fig. 19

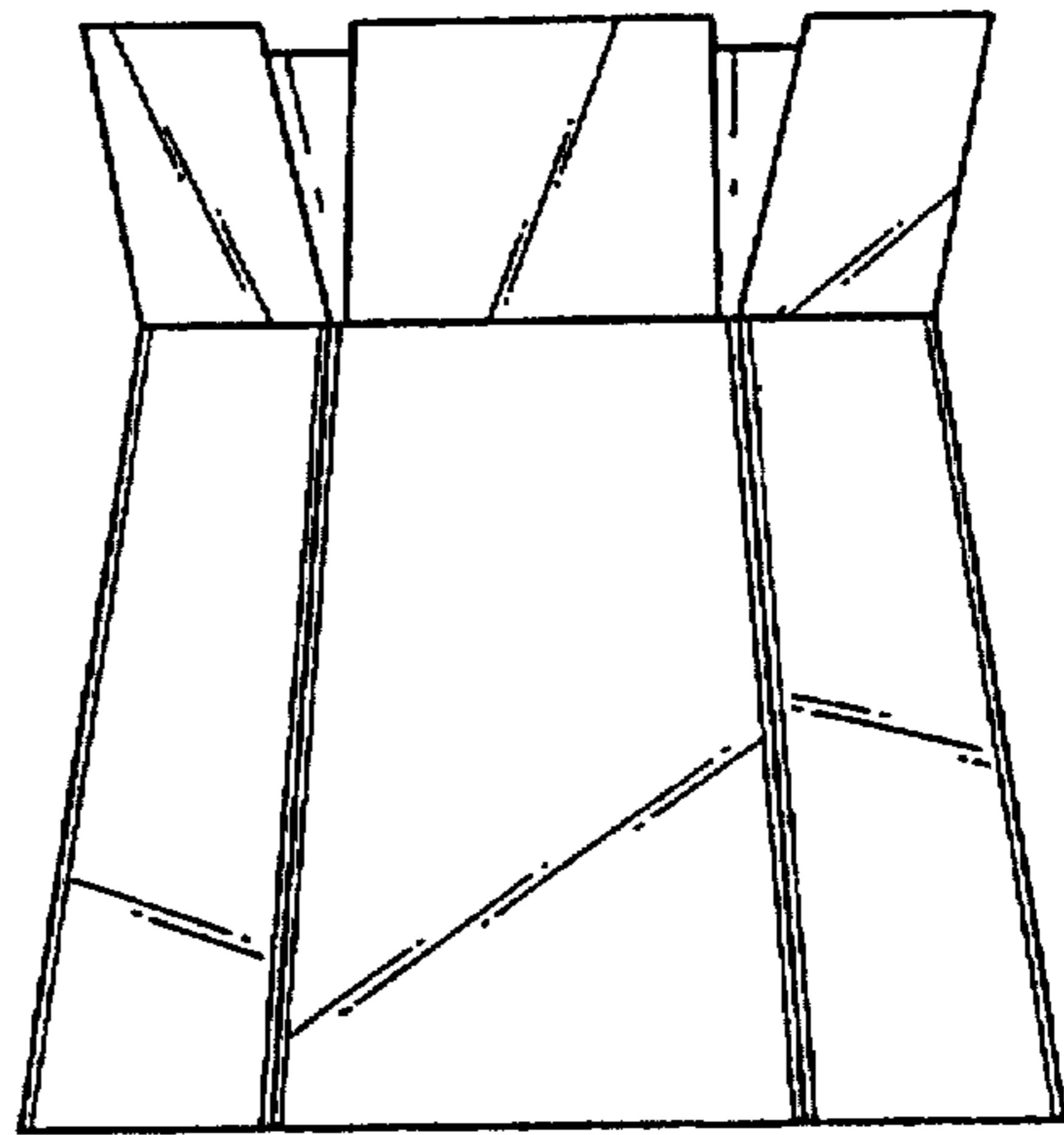


Fig. 20

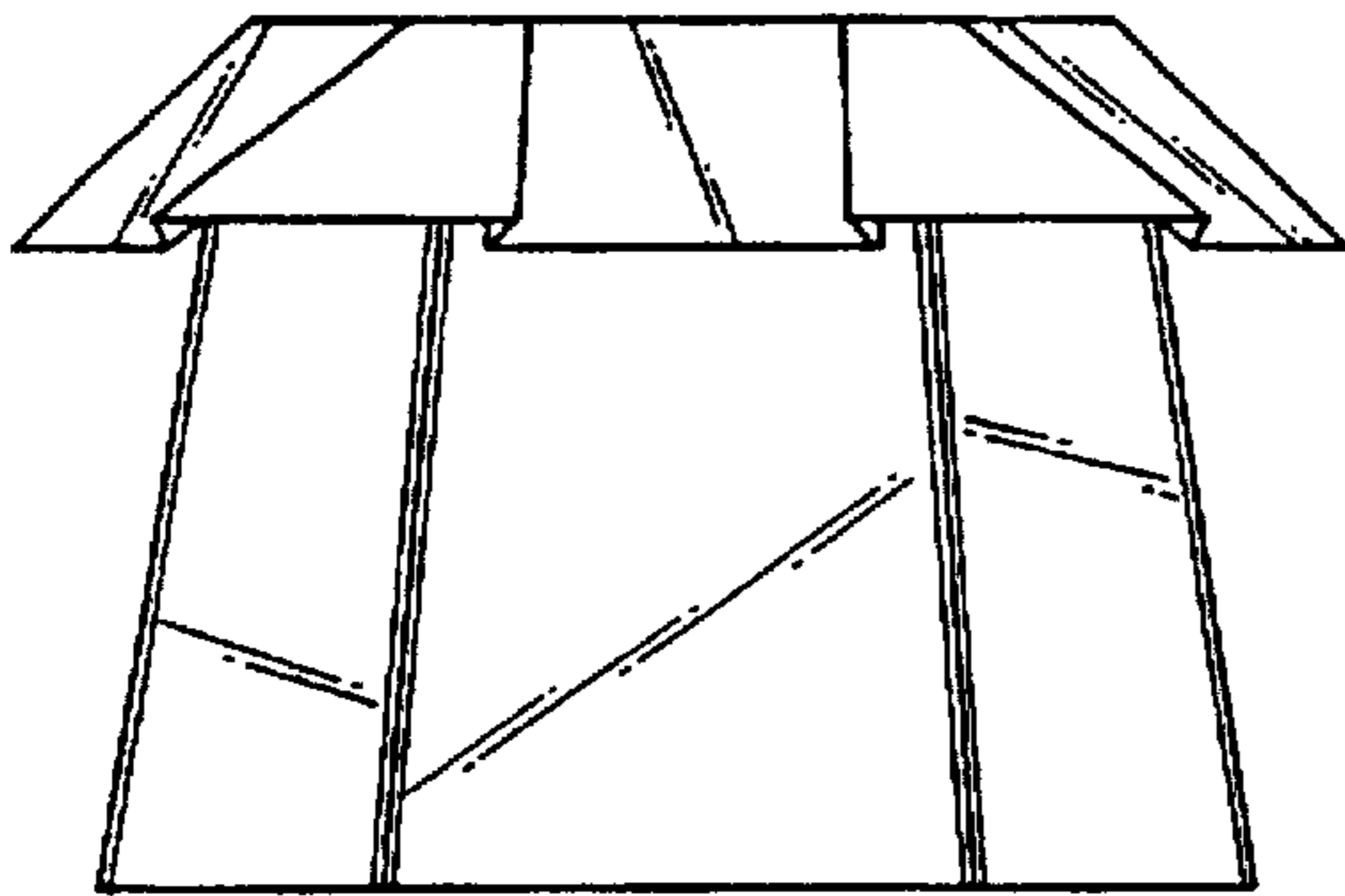


Fig. 21

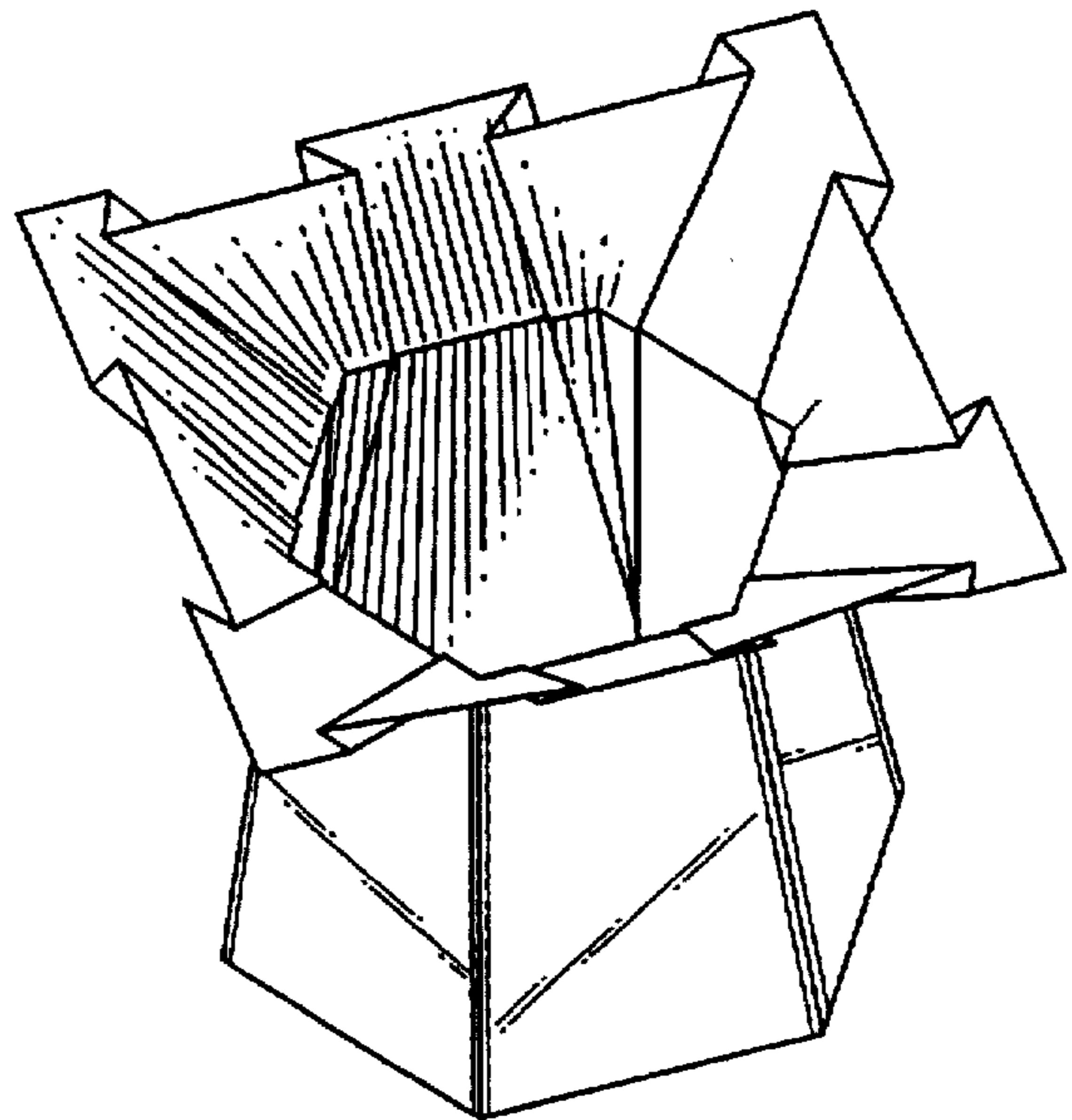


Fig. 22

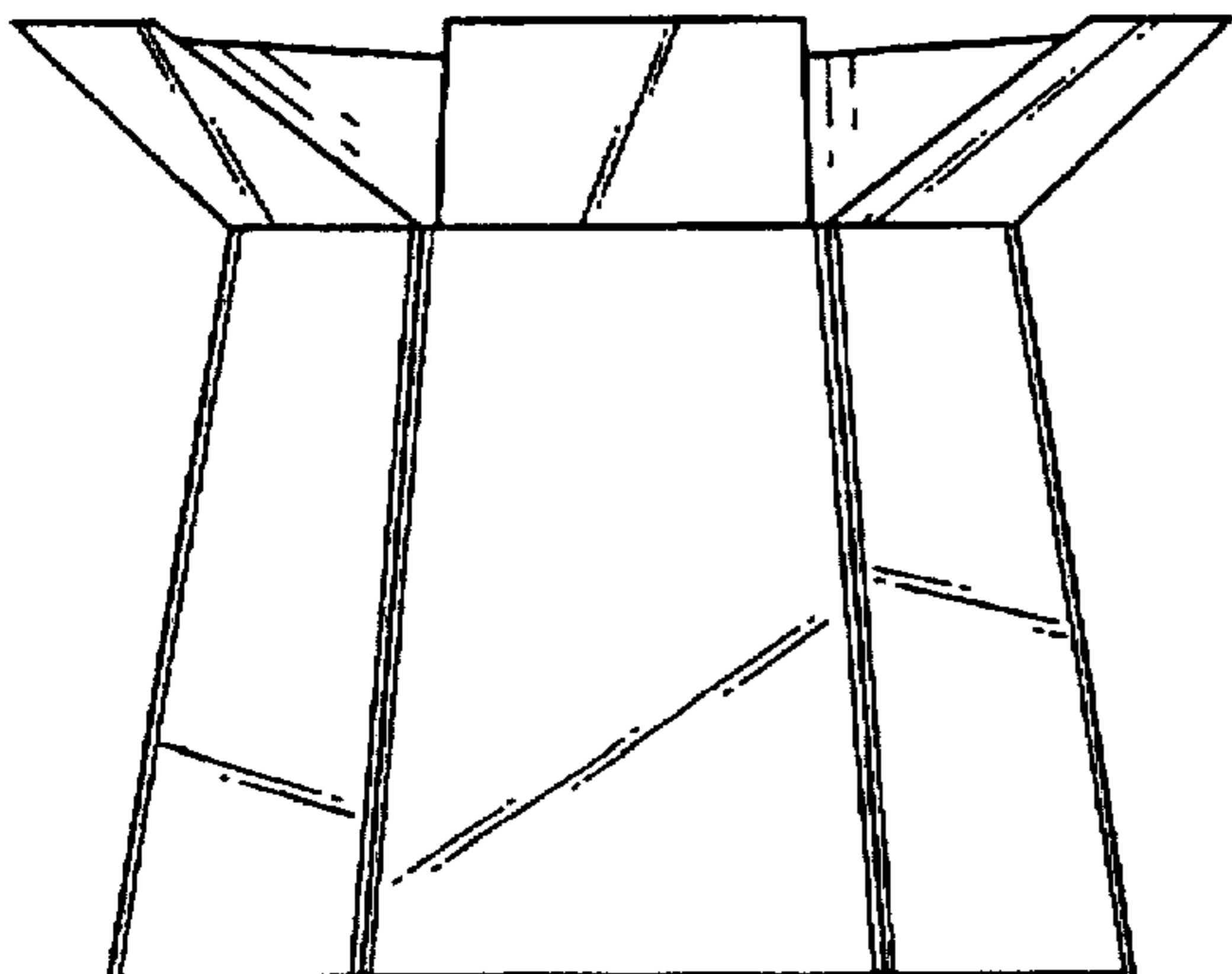


Fig. 23

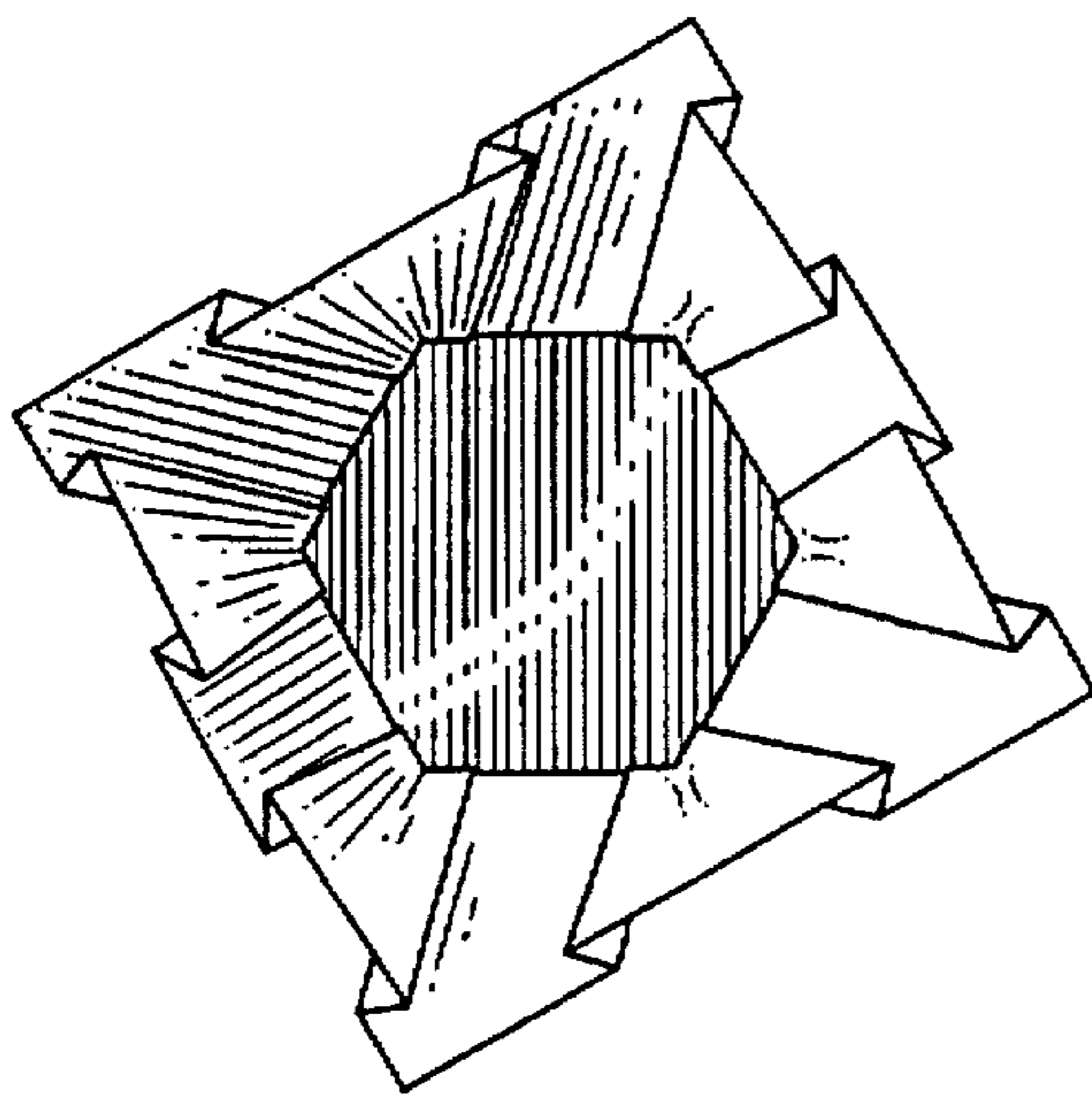


Fig. 24

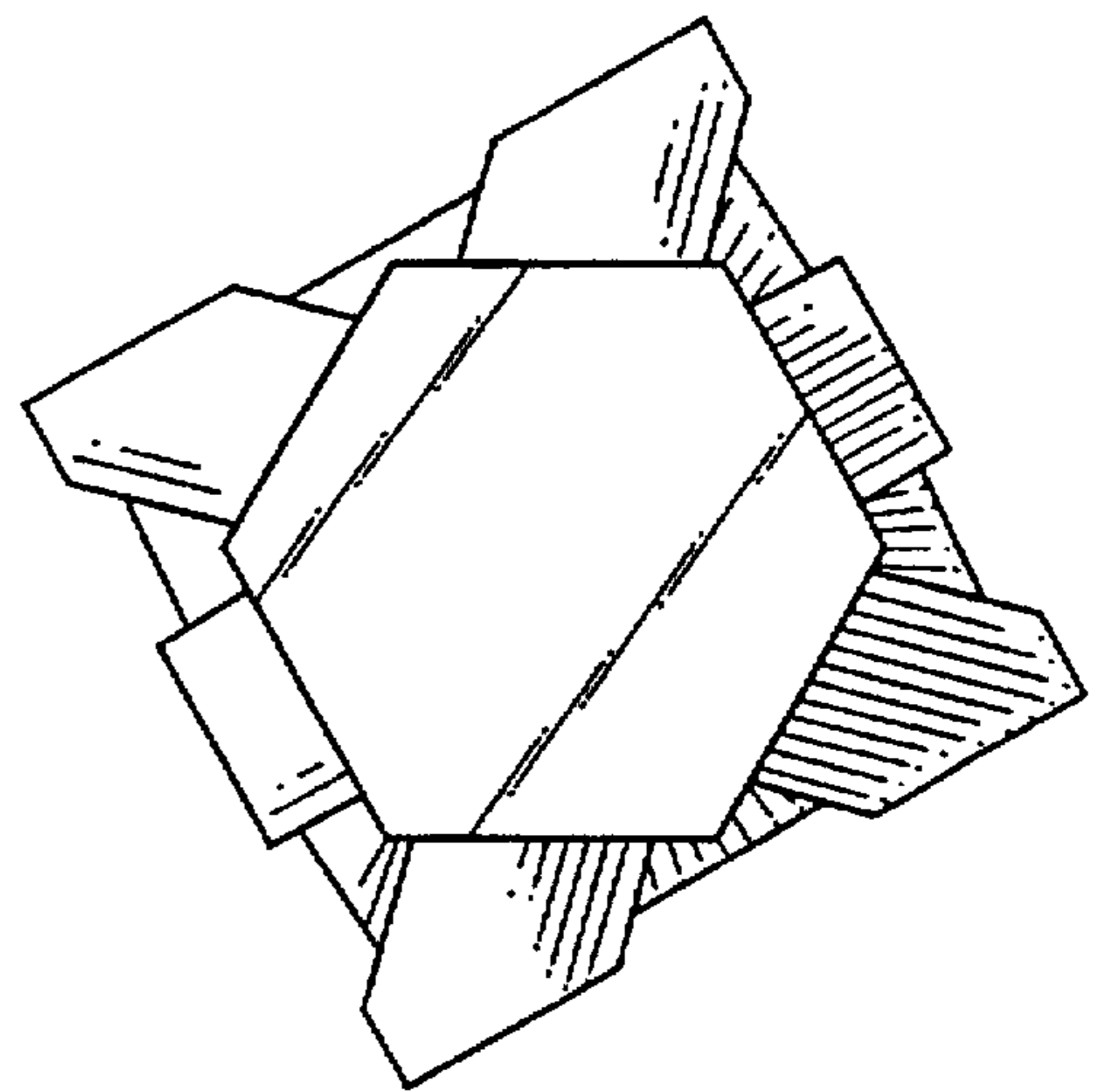


Fig. 25

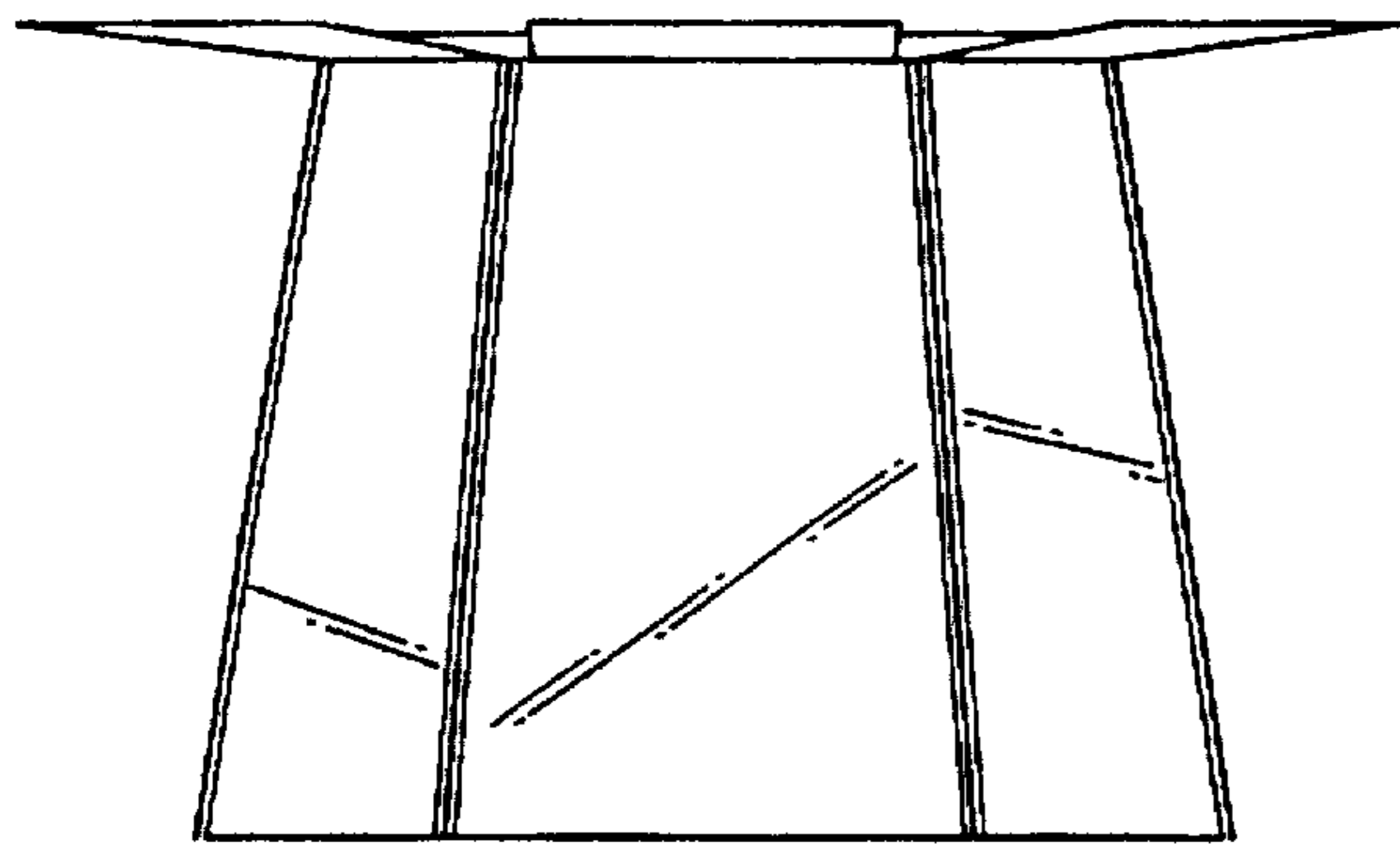


Fig. 26

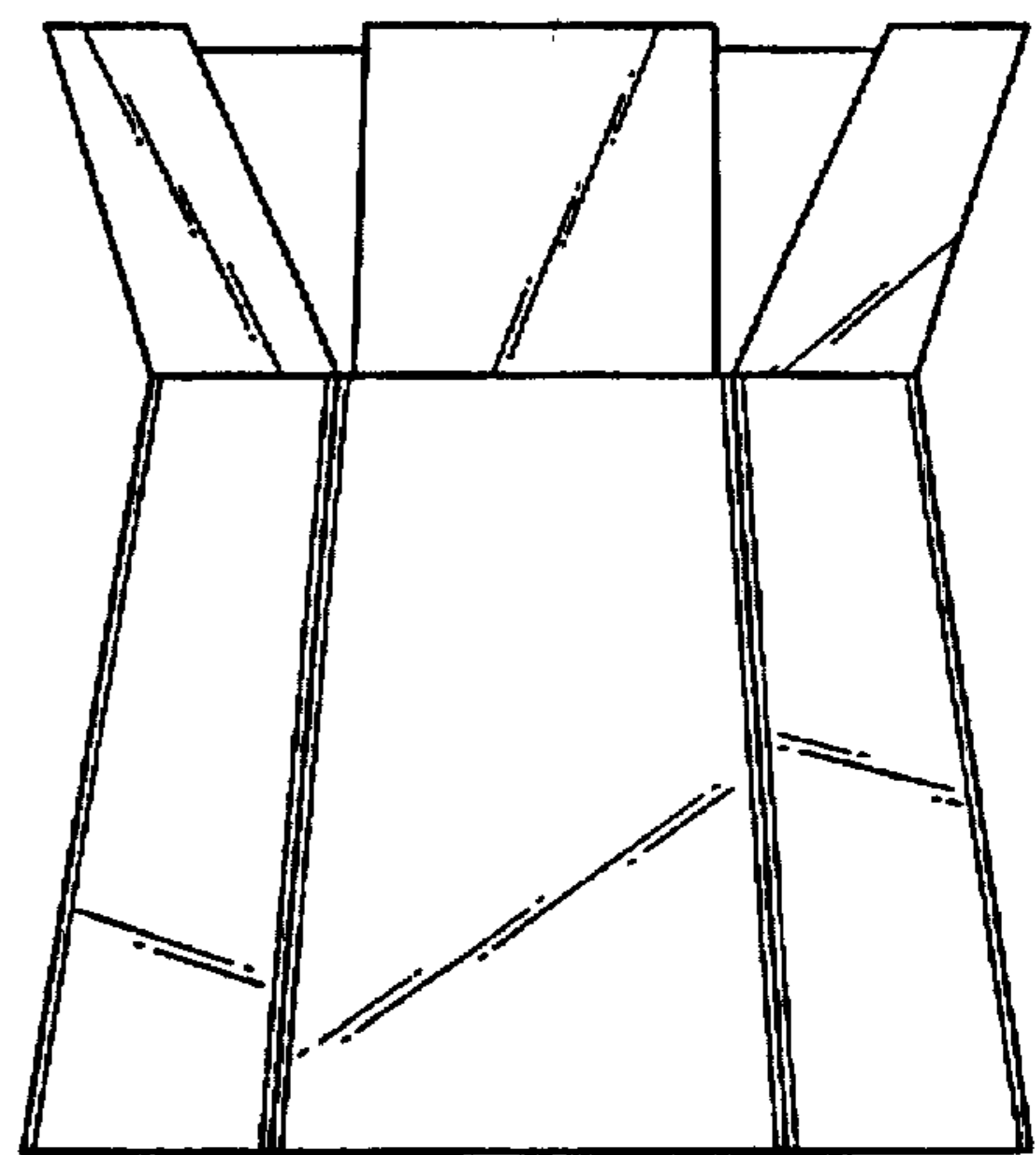


Fig. 27

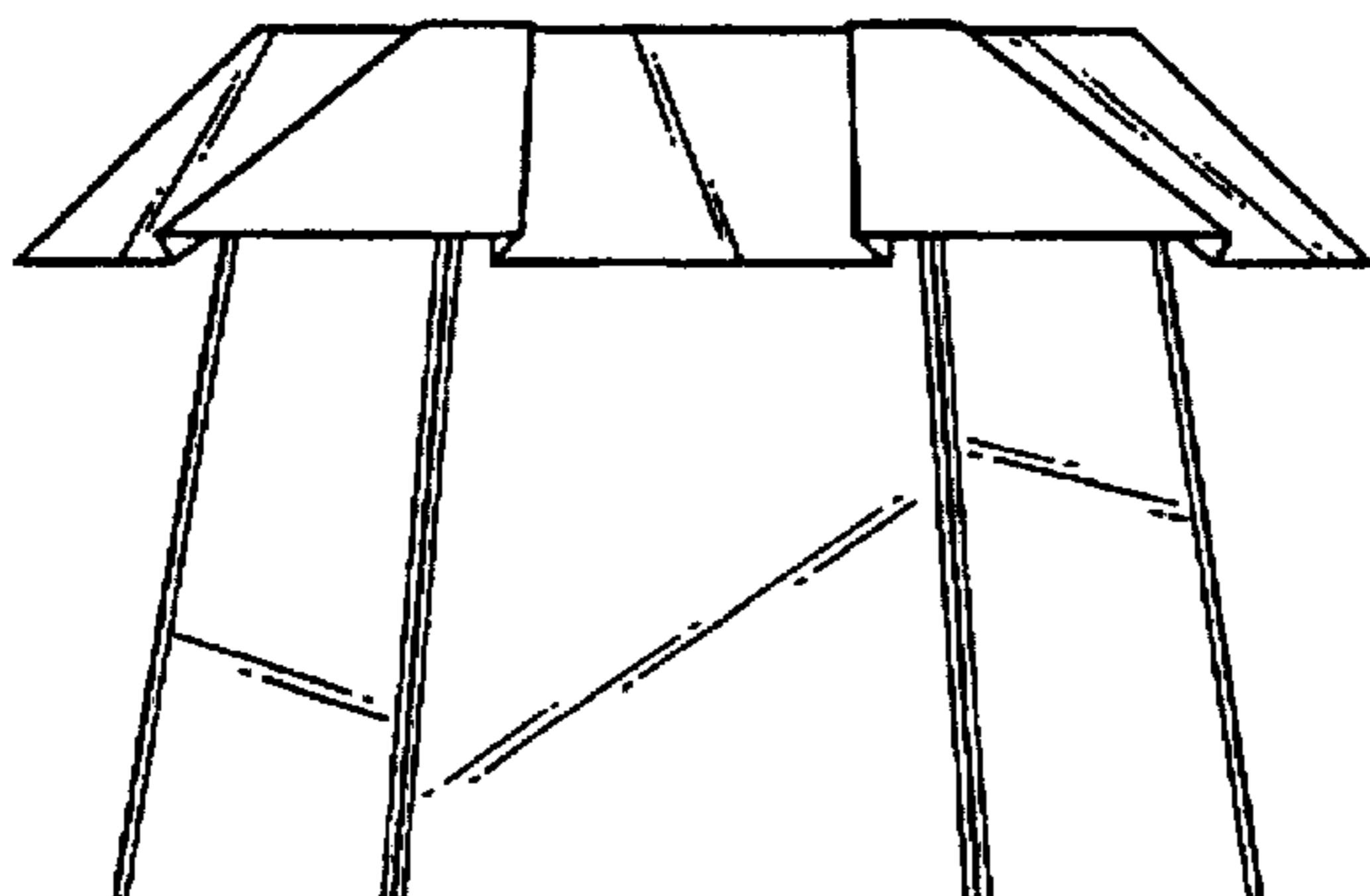


Fig. 28

UNITED STATES PATENT AND TRADEMARK OFFICE
CERTIFICATE OF CORRECTION

PATENT NO. : Des. 388,738
DATED : January 6, 1998
INVENTOR(S) : Weder et al.

It is certified that error appears in the above-identified patent and that said Letters Patent is hereby corrected as shown below:

Cover page , under Related U.S. Application Data, Section [60], line 3, after 'Dec. 16, 1991', please delete "abandoned".

Signed and Sealed this
Fourteenth Day of April, 1998



Attest:

Attesting Officer

BRUCE LEHMAN

Commissioner of Patents and Trademarks