



US00D388733S

**United States Patent** [19]  
**Campbell**

[11] **Patent Number:** **Des. 388,733**  
[45] **Date of Patent:** **\*\*Jan. 6, 1998**

[54] **EASTER TOMB PENDANT**  
[76] **Inventor:** **Chris Campbell, 2121 San Jacinto, Ste. 204, Dallas, Tex. 75201**  
[\*\*] **Term:** **14 Years**  
[21] **Appl. No.:** **64,839**  
[22] **Filed:** **Jan. 10, 1997**  
[51] **LOC (6) Cl.** ..... **11-01**  
[52] **U.S. Cl.** ..... **D11/81**  
[58] **Field of Search** ..... **D11/1, 2, 79-85, D11/95, 97, 98, 99, 111; 63/1.1, 2, 20, 32**

D. 114,580 5/1939 Shields ..... D11/79  
D. 247,882 5/1978 Zimmerman ..... D11/81  
D. 290,821 7/1987 Deville ..... D11/81  
D. 325,003 3/1992 Peterson ..... D11/95  
3,647,279 3/1972 Sharplee et al. .... 63/32

*Primary Examiner*—Ralf Seifert  
*Attorney, Agent, or Firm*—David W. Carstens; Strasburger & Price

[57] **CLAIM**

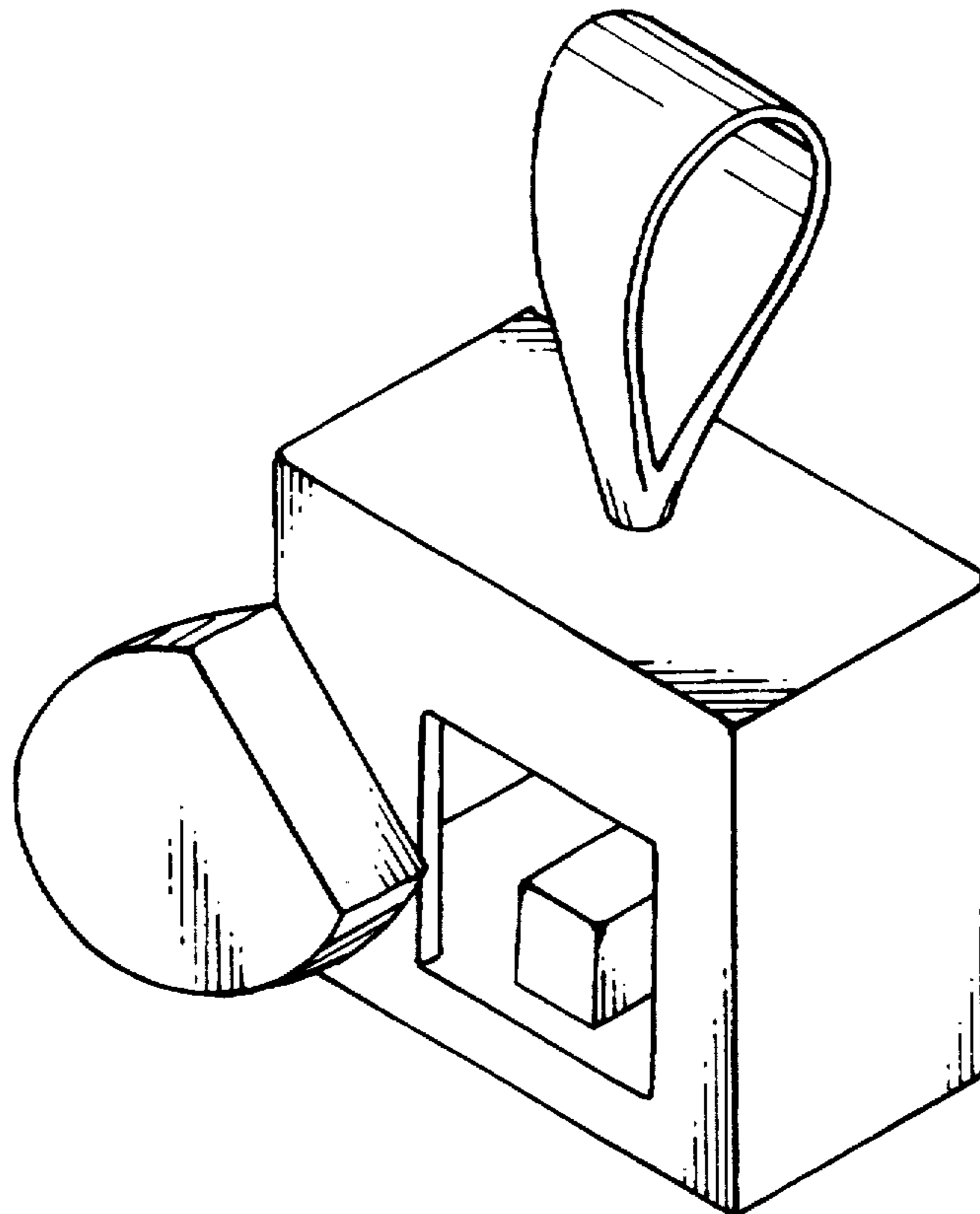
The ornamental design for Easter tomb pendant, as shown.

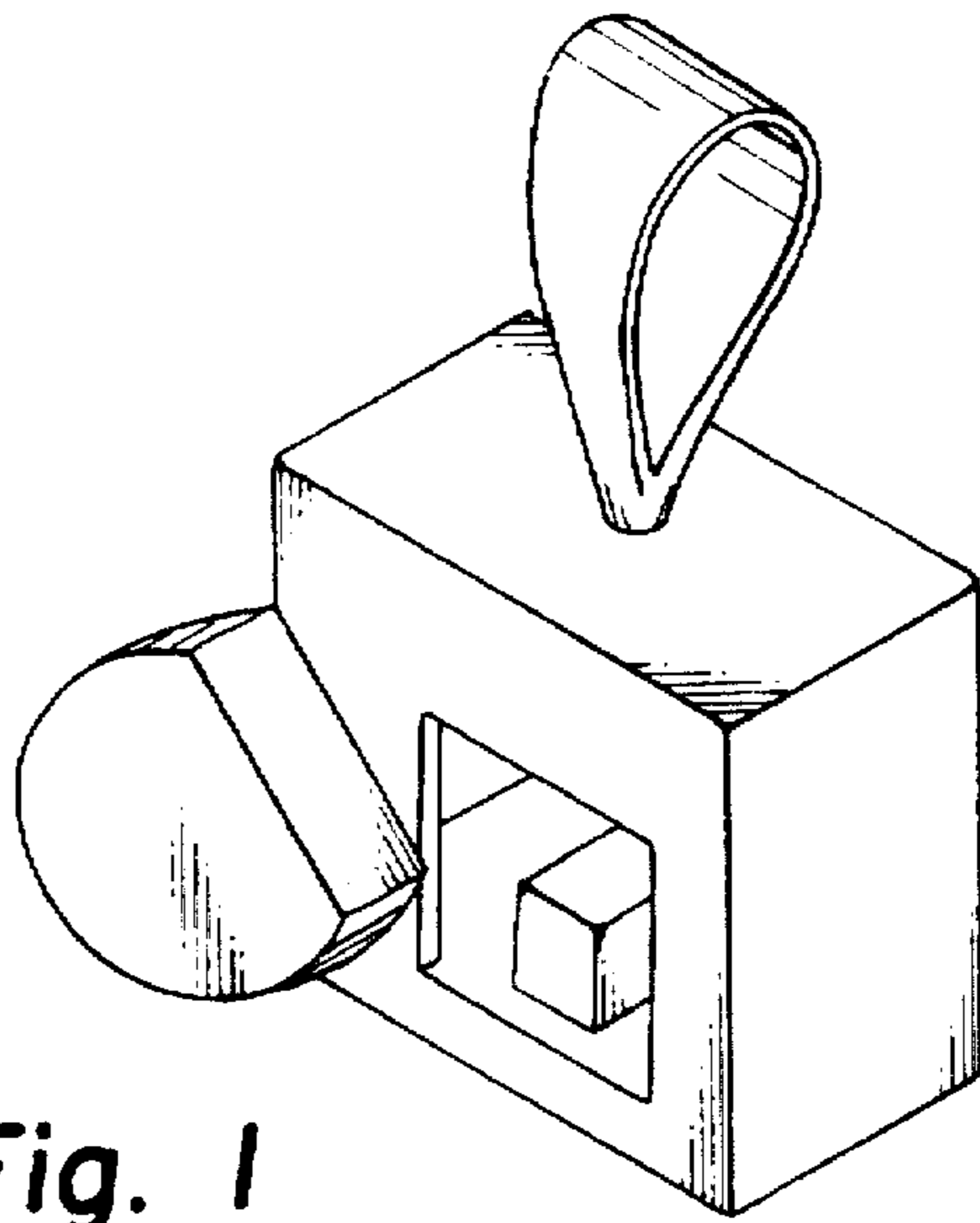
**DESCRIPTION**

FIG. 1 is a perspective view of an Easter tomb pendant embodying the present invention;  
FIG. 2 is a top view of the Easter tomb pendant;  
FIG. 3 is a right side view of the Easter tomb pendant;  
FIG. 4 is a back view of the Easter tomb pendant;  
FIG. 5 is a left view of the Easter tomb pendant; and  
FIG. 6 is a bottom view of the Easter tomb pendant.

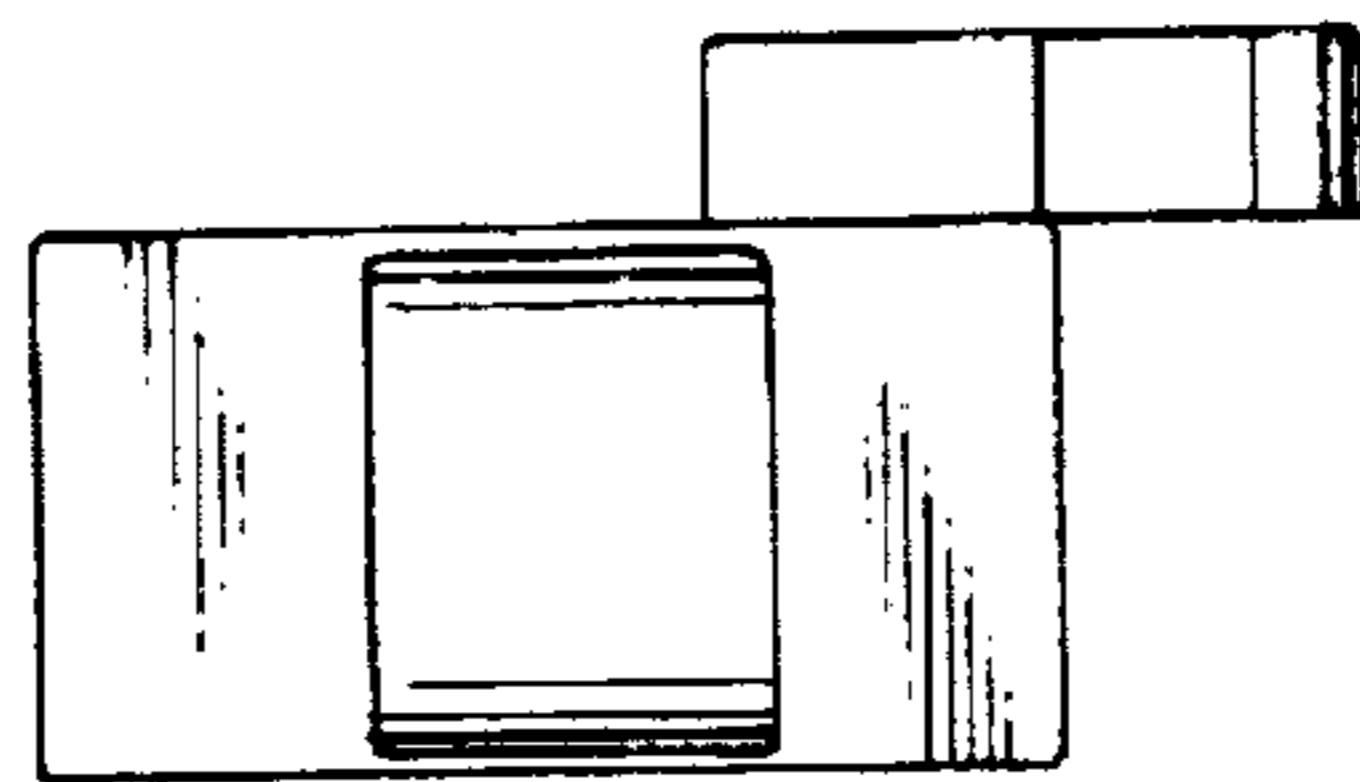
[56] **References Cited**  
**U.S. PATENT DOCUMENTS**  
22,675 8/1859 Hahn ..... D11/97

**1 Claim, 1 Drawing Sheet**

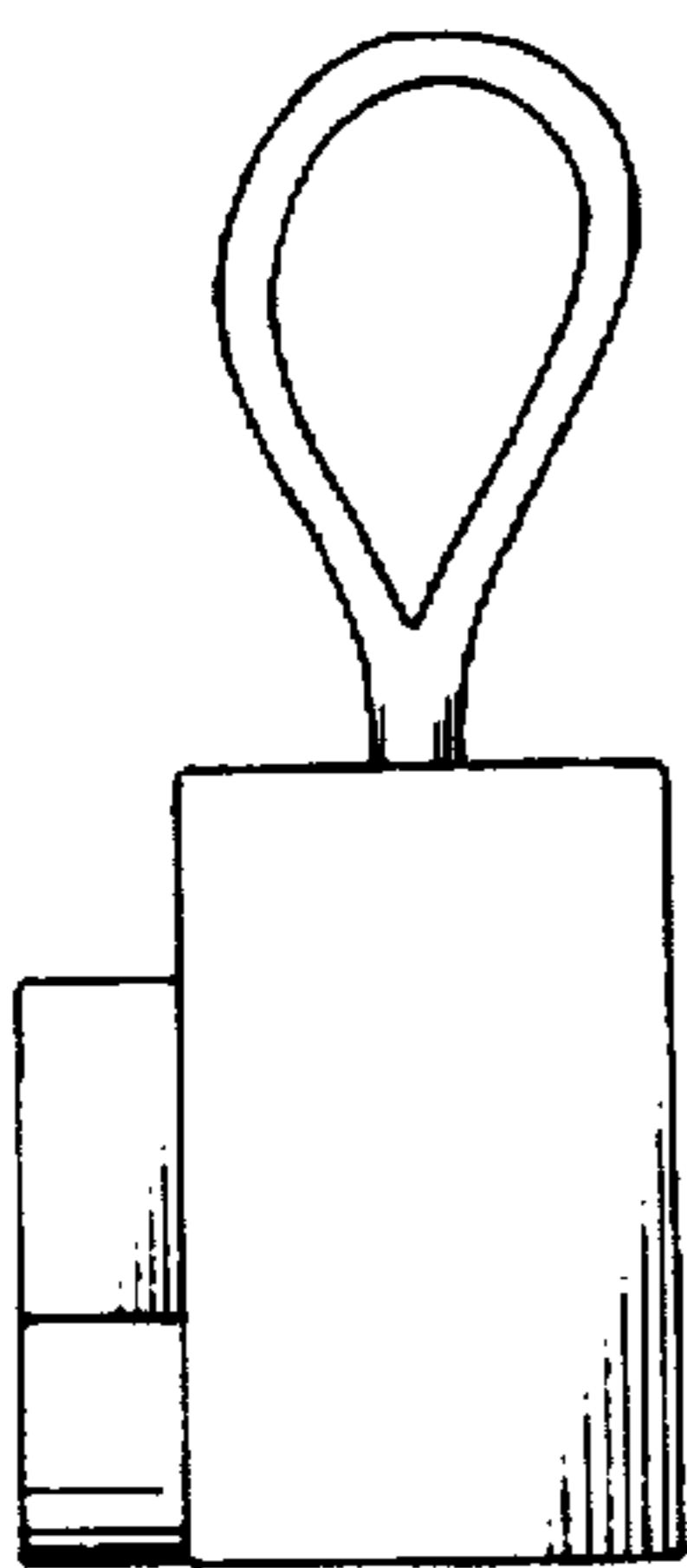




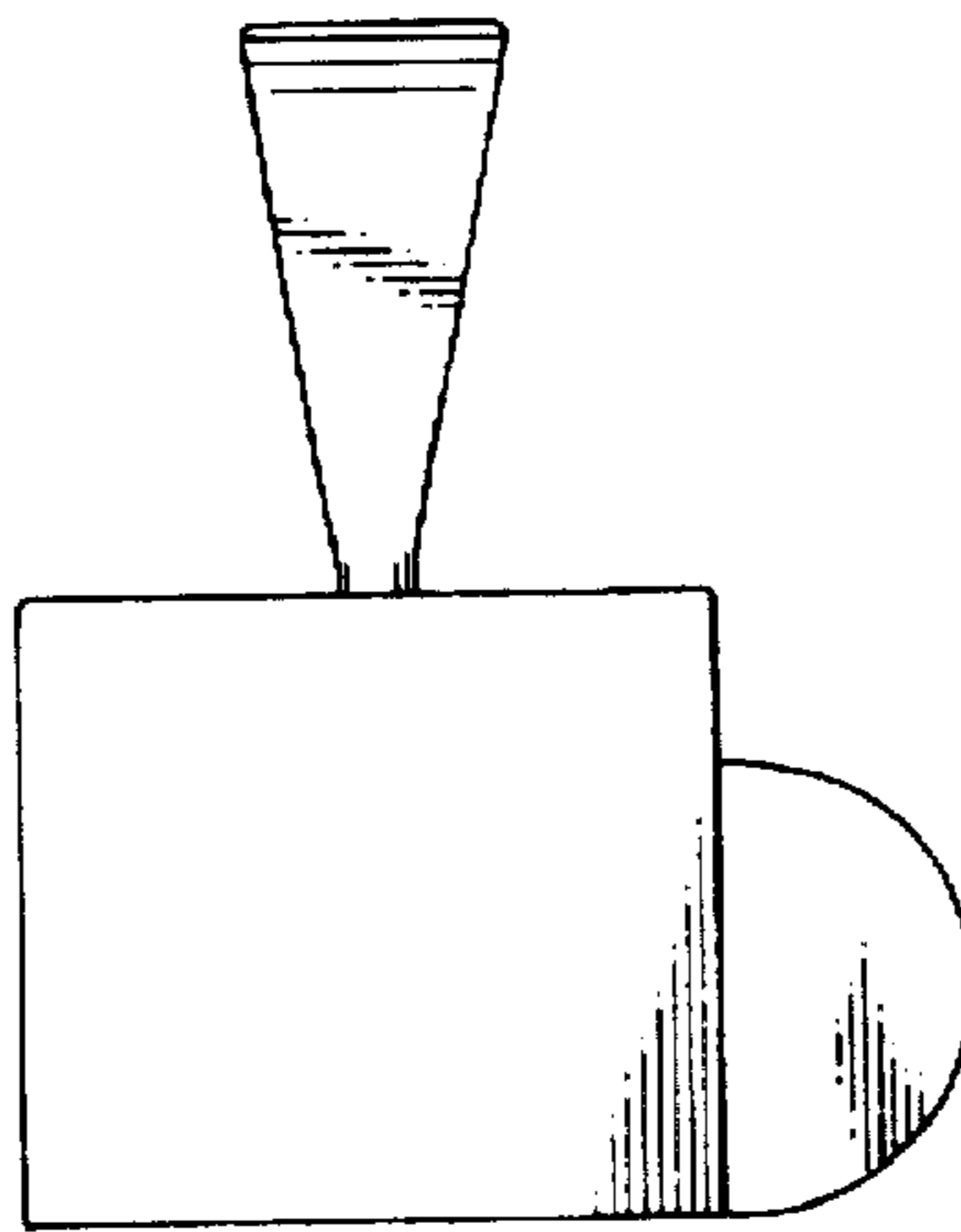
**Fig. 1**



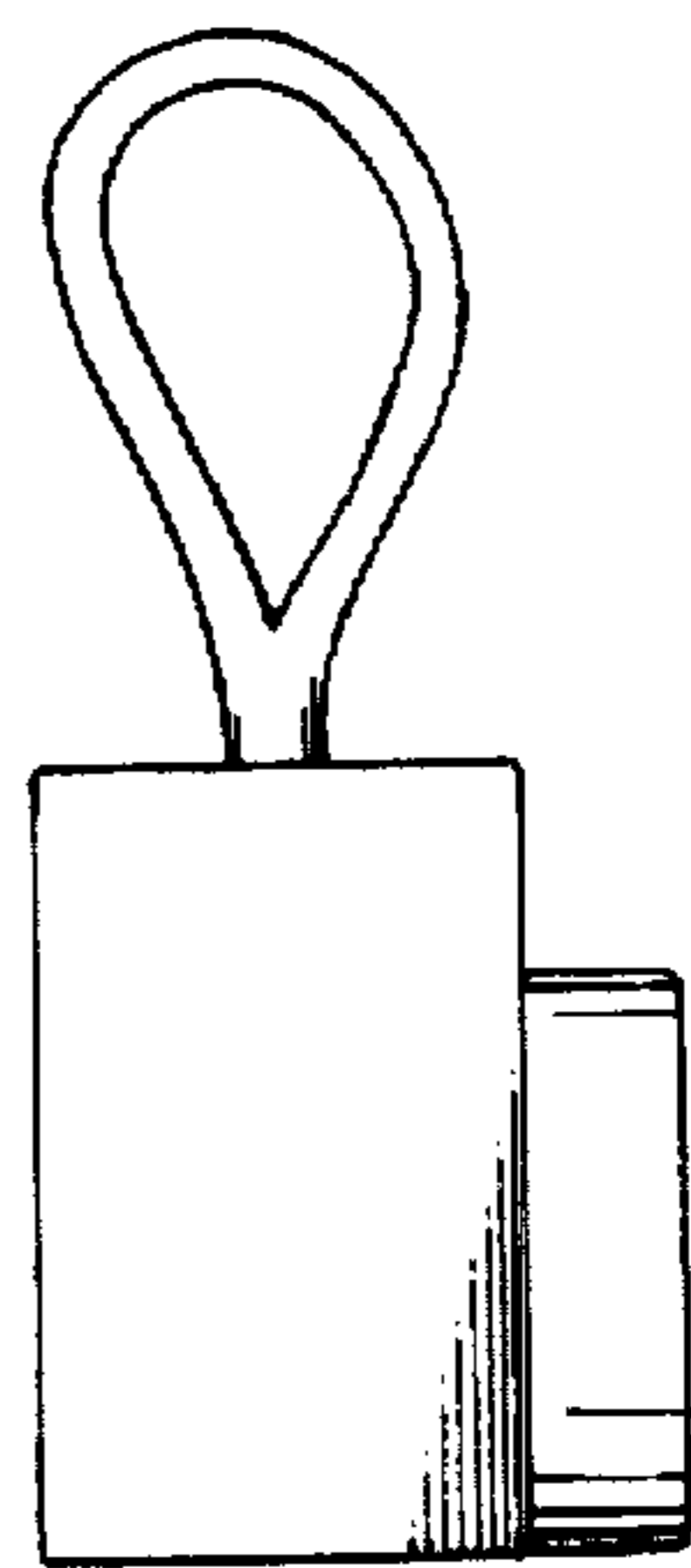
**Fig. 2**



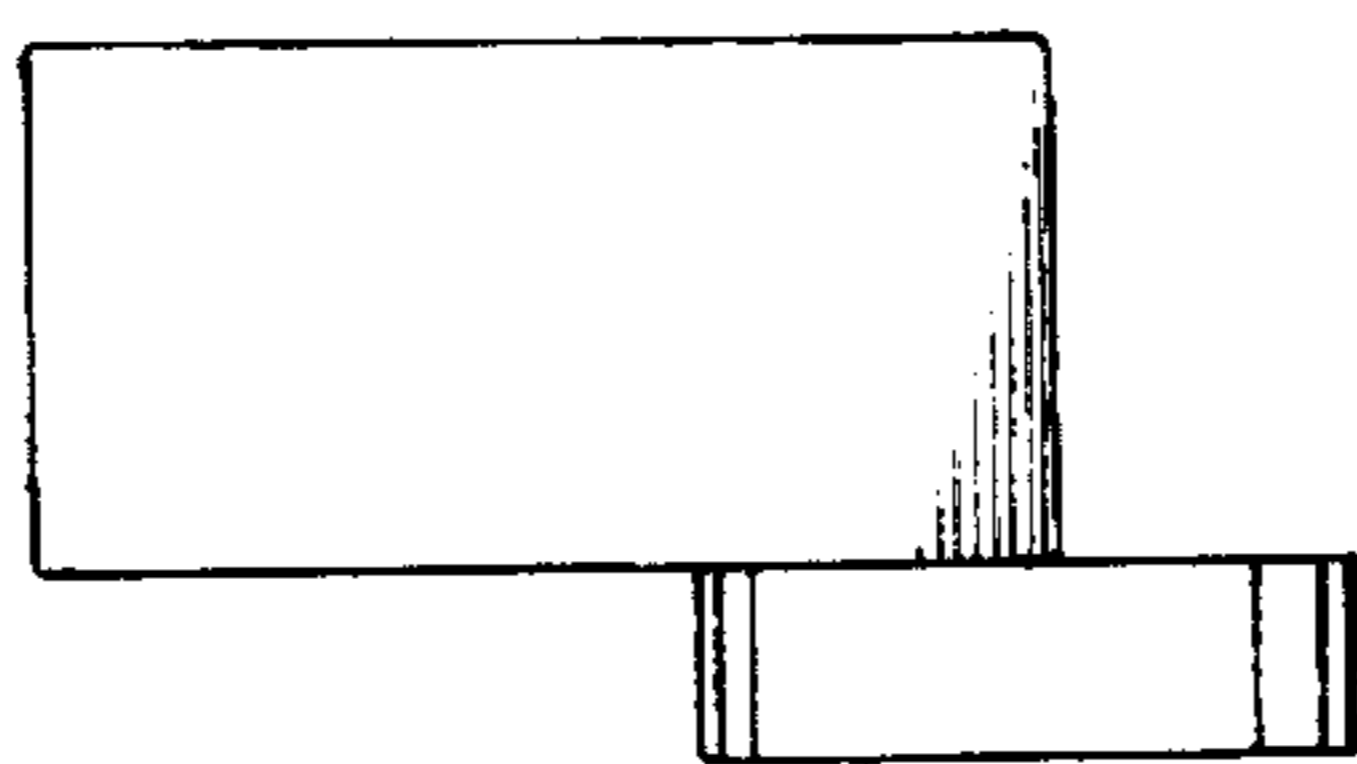
**Fig. 3**



**Fig. 4**



**Fig. 5**



**Fig. 6**