



US00D388726S

**United States Patent** [19]  
**Wu**

[11] **Patent Number:** **Des. 388,726**  
[45] **Date of Patent:** **\*\*Jan. 6, 1998**

[54] **LED TRAFFIC SIGNAL LIGHT**  
[75] **Inventor:** **Chen-Ho Wu**, Los Altos Hills, Calif.  
[73] **Assignee:** **Leotek Electronics Corporation**,  
Taipei, Taiwan  
[\*\*] **Term:** **14 Years**  
[21] **Appl. No.:** **56,858**  
[22] **Filed:** **Jul. 10, 1996**  
[51] **LOC (6) Cl.** ..... **10-05**  
[52] **U.S. Cl.** ..... **D10/115; D26/2**  
[58] **Field of Search** ..... **D26/1, 2, 3; 313/315,**  
**313/318, 113; 315/56, 57, 58; D10/115**

[56] **References Cited**  
**U.S. PATENT DOCUMENTS**

D. 279,910	7/1985	Detro	.....	D26/37
D. 287,948	1/1987	Evans	.....	D10/115
D. 321,762	11/1991	Mujohid et al.	.....	D26/2
D. 352,121	11/1994	Haraden et al.	.....	D26/2

*Primary Examiner*—Marcus A. Jackson  
*Attorney, Agent, or Firm*—Limbach & Limbach L.L.P.

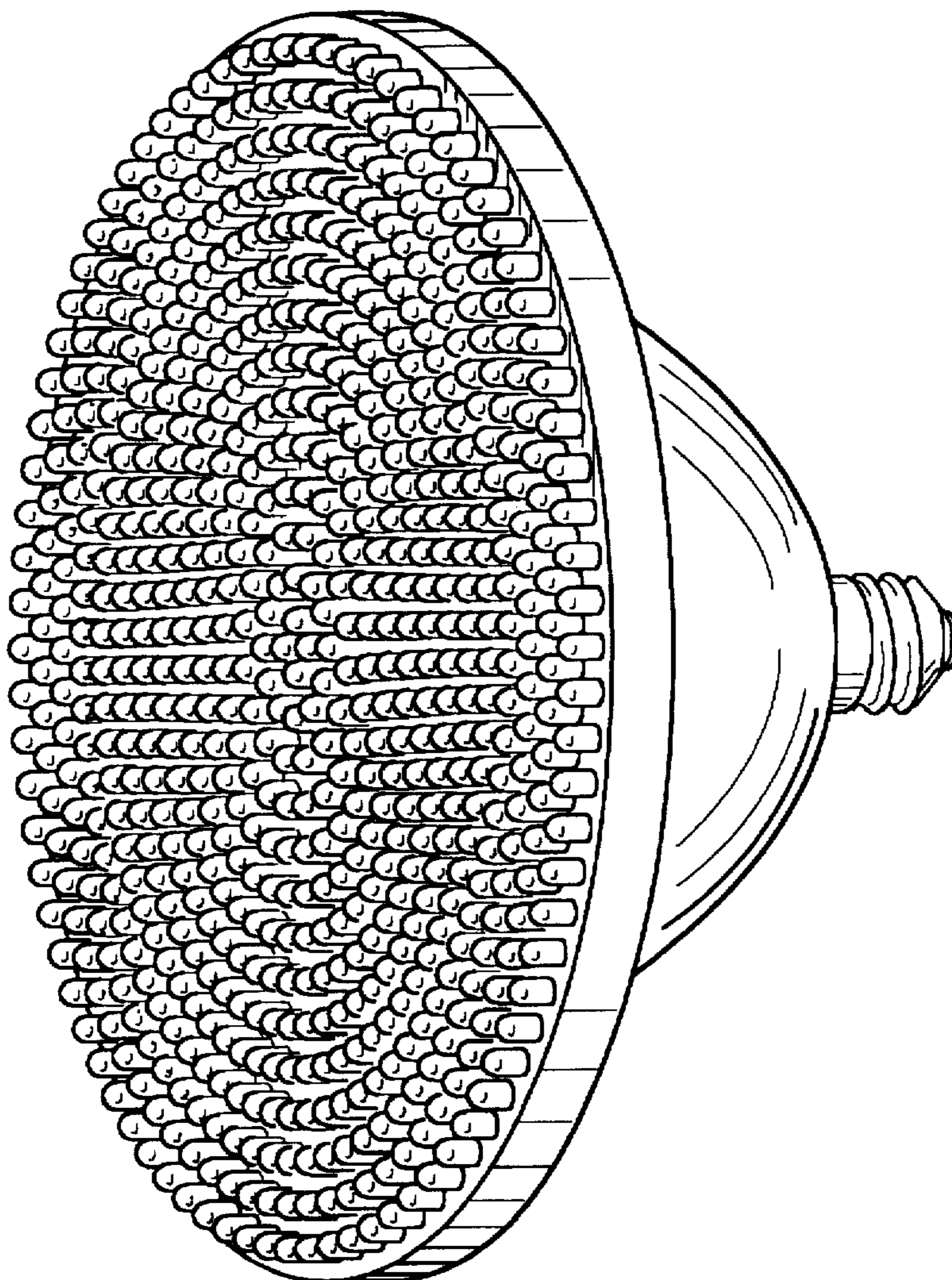
[57] **CLAIM**

The ornamental design for a LED traffic signal light, as shown and described.

**DESCRIPTION**

FIG. 1 is a perspective view of a LED traffic signal light in accordance with the present invention;  
FIG. 2 is a front view thereof;  
FIG. 3 is a side elevational view thereof, the opposite side view being a substantial mirror image thereof and the top and bottom views being substantial mirror images thereof;  
FIG. 4 is a rear view thereof;  
FIG. 5 is a front view of an alternative embodiment of the present invention;  
FIG. 6 is a side elevational view of the embodiment of FIG. 5, the opposite side view being a substantial mirror image thereof and both the top and bottom views being substantial mirror images thereof; and,  
FIG. 7 is a rear view of FIG. 5.

**1 Claim, 7 Drawing Sheets**



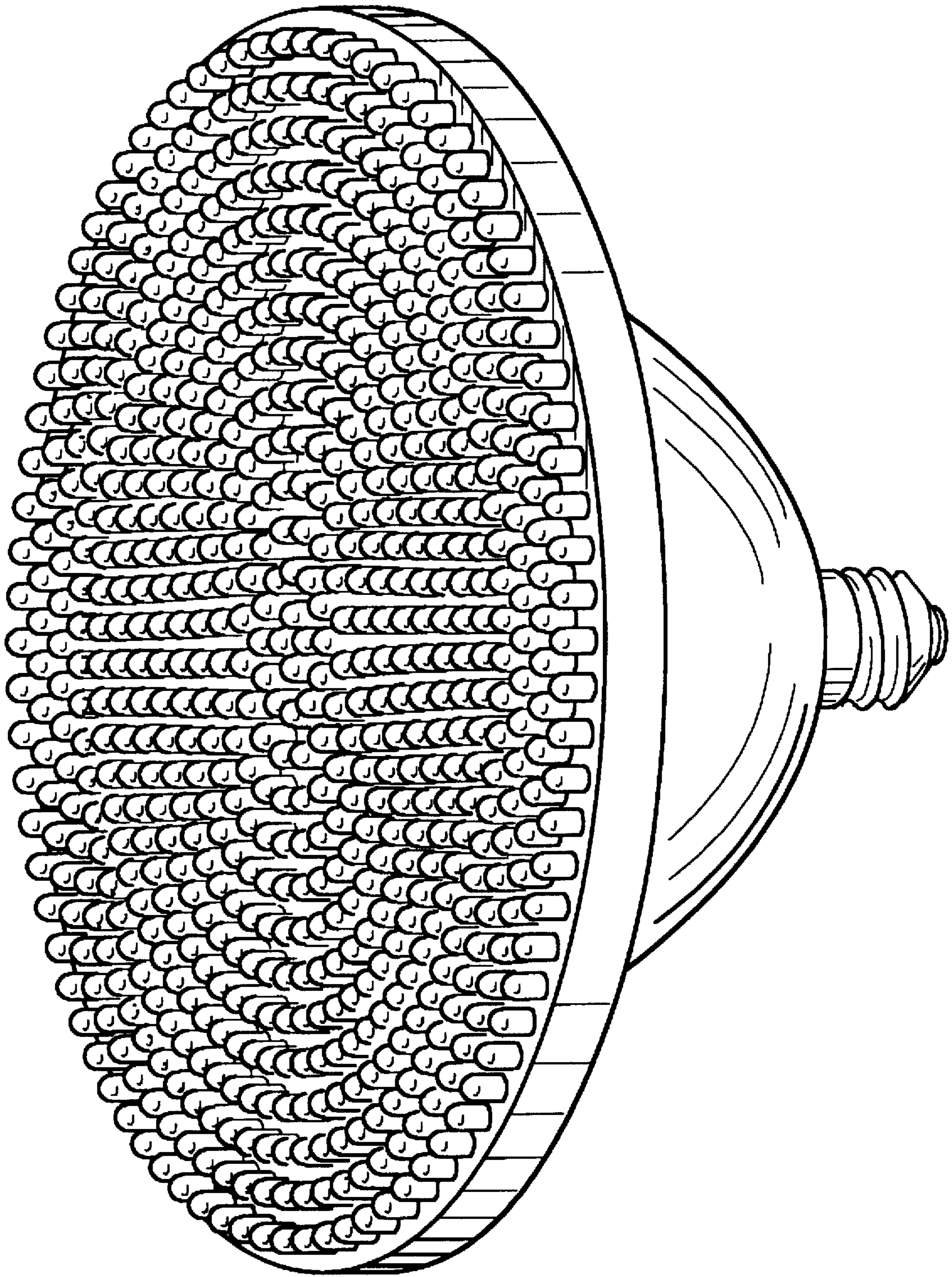


FIG. 1



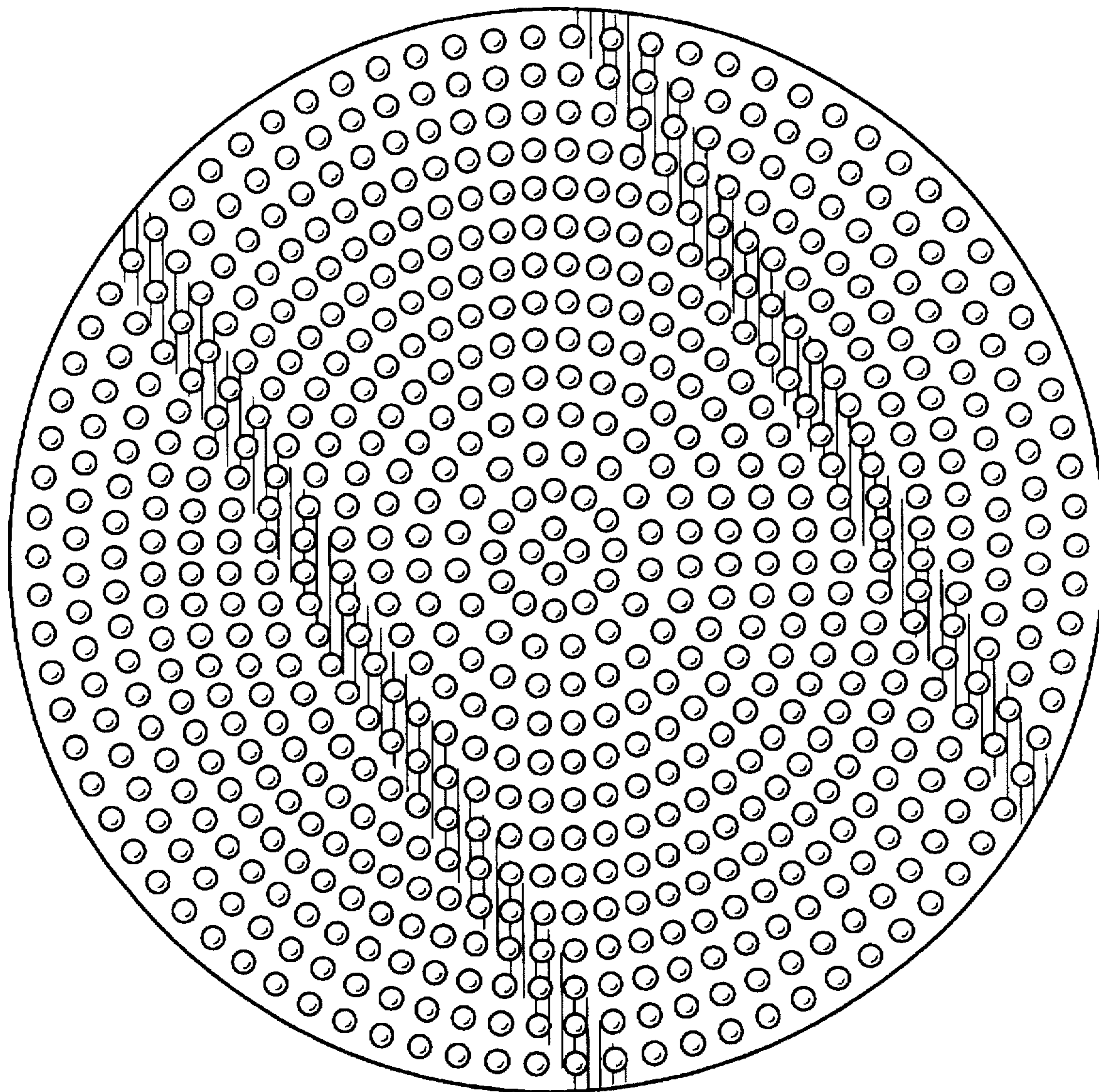
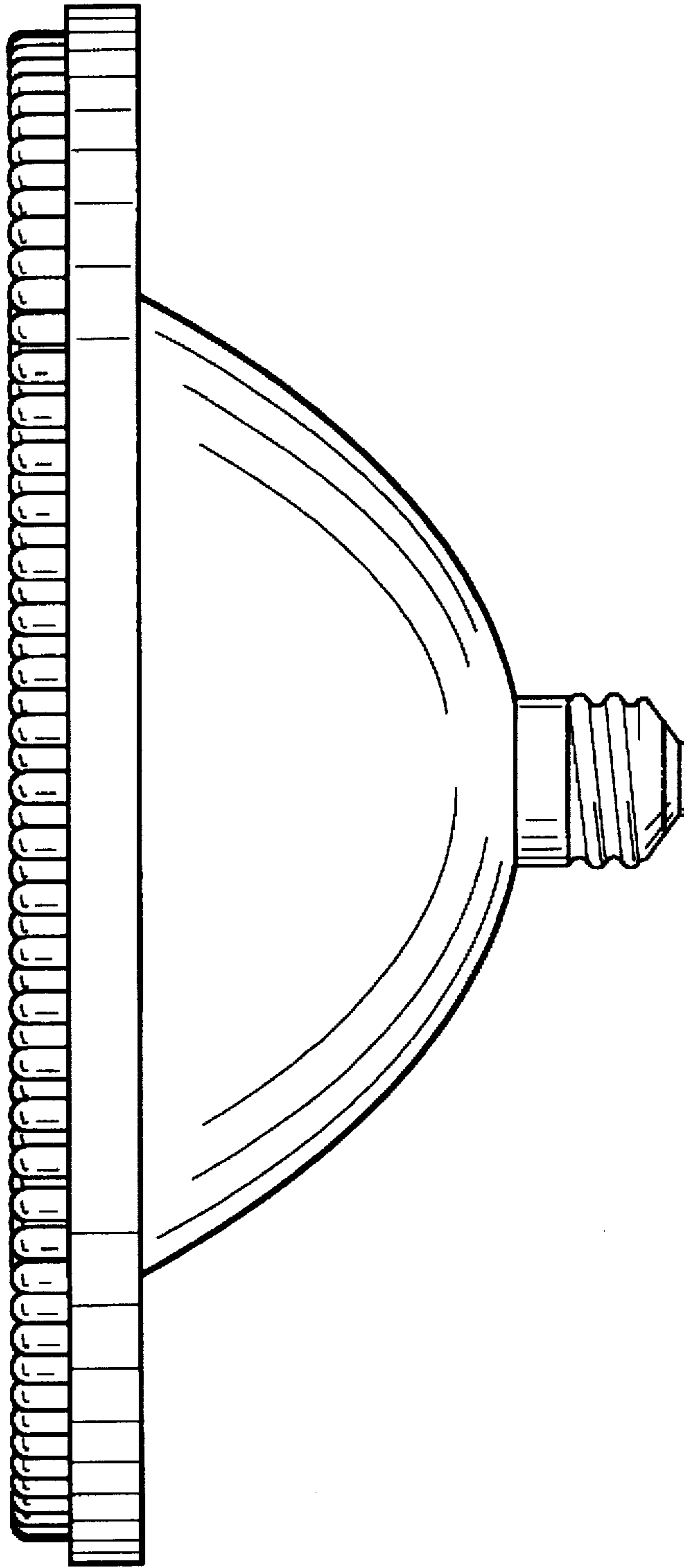


FIG. 2



**FIG. 3**

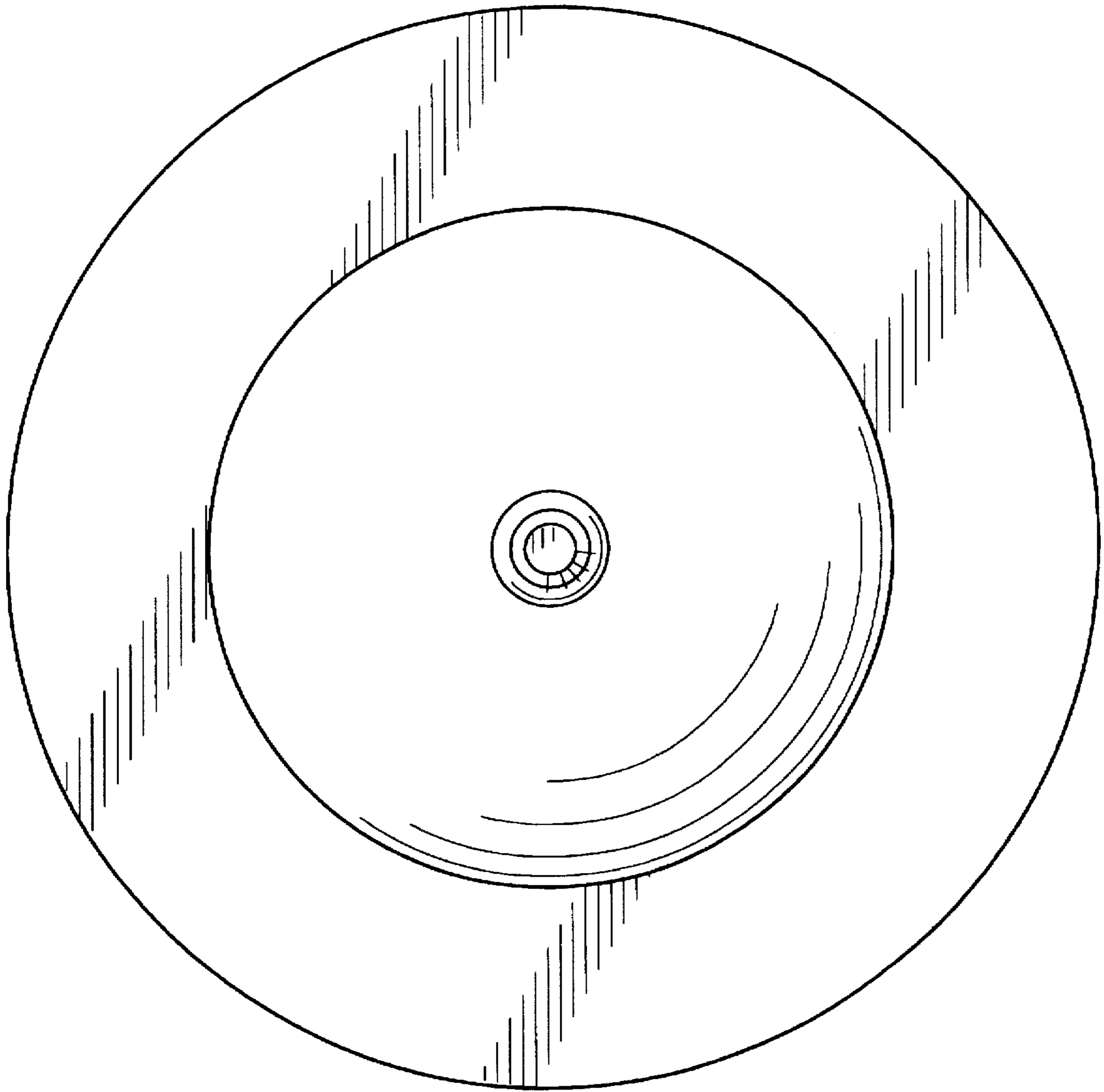
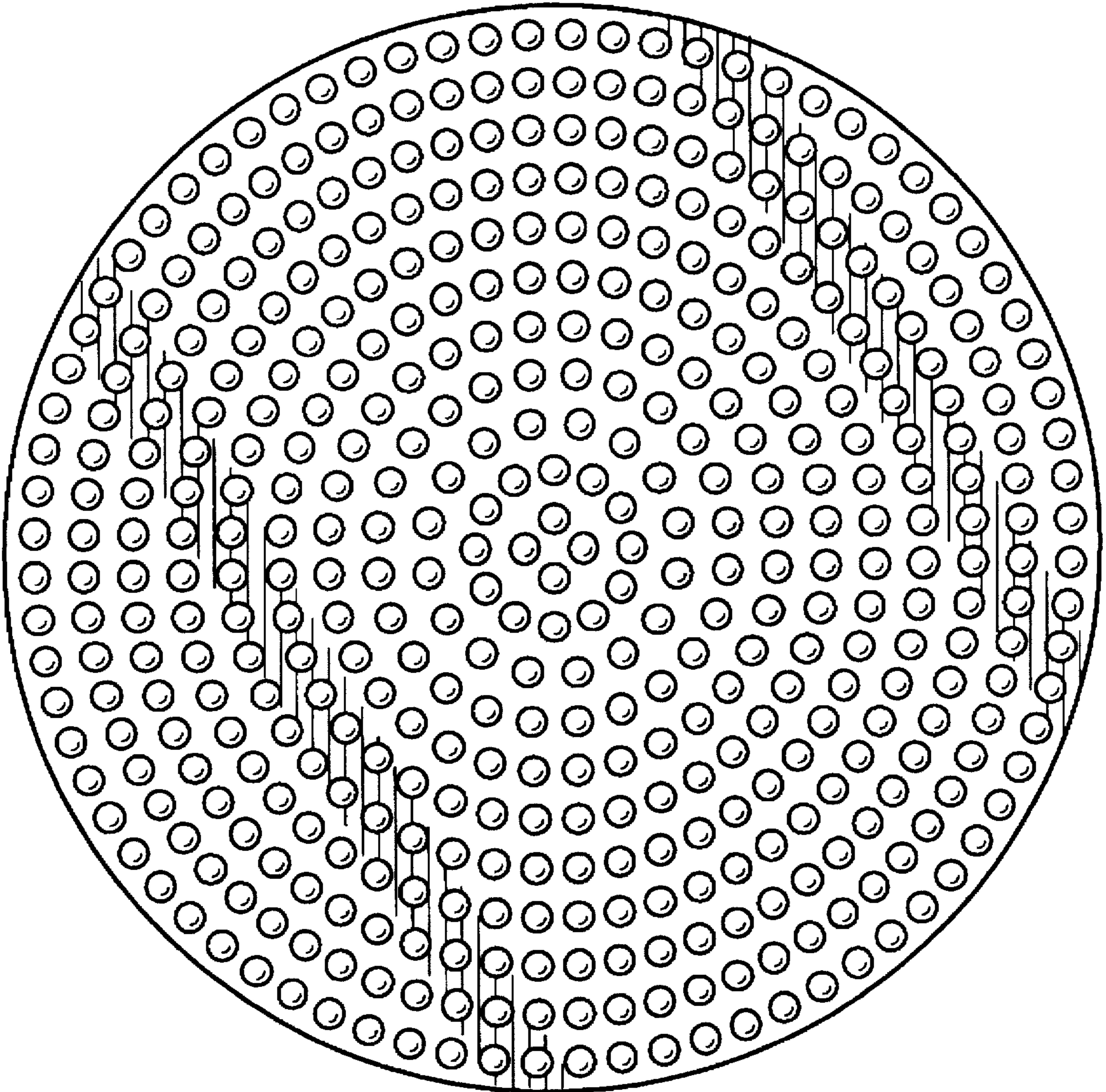
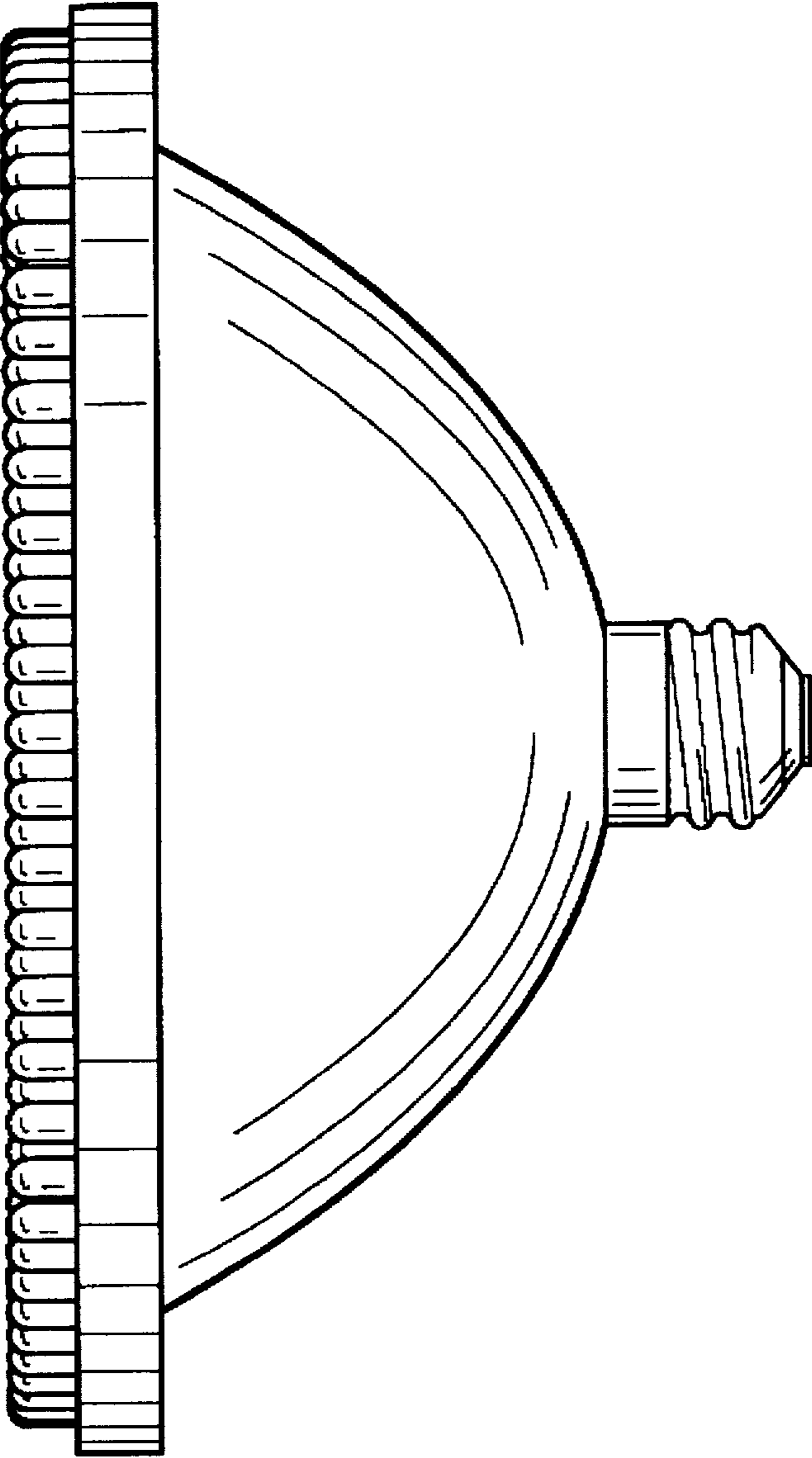


FIG. 4

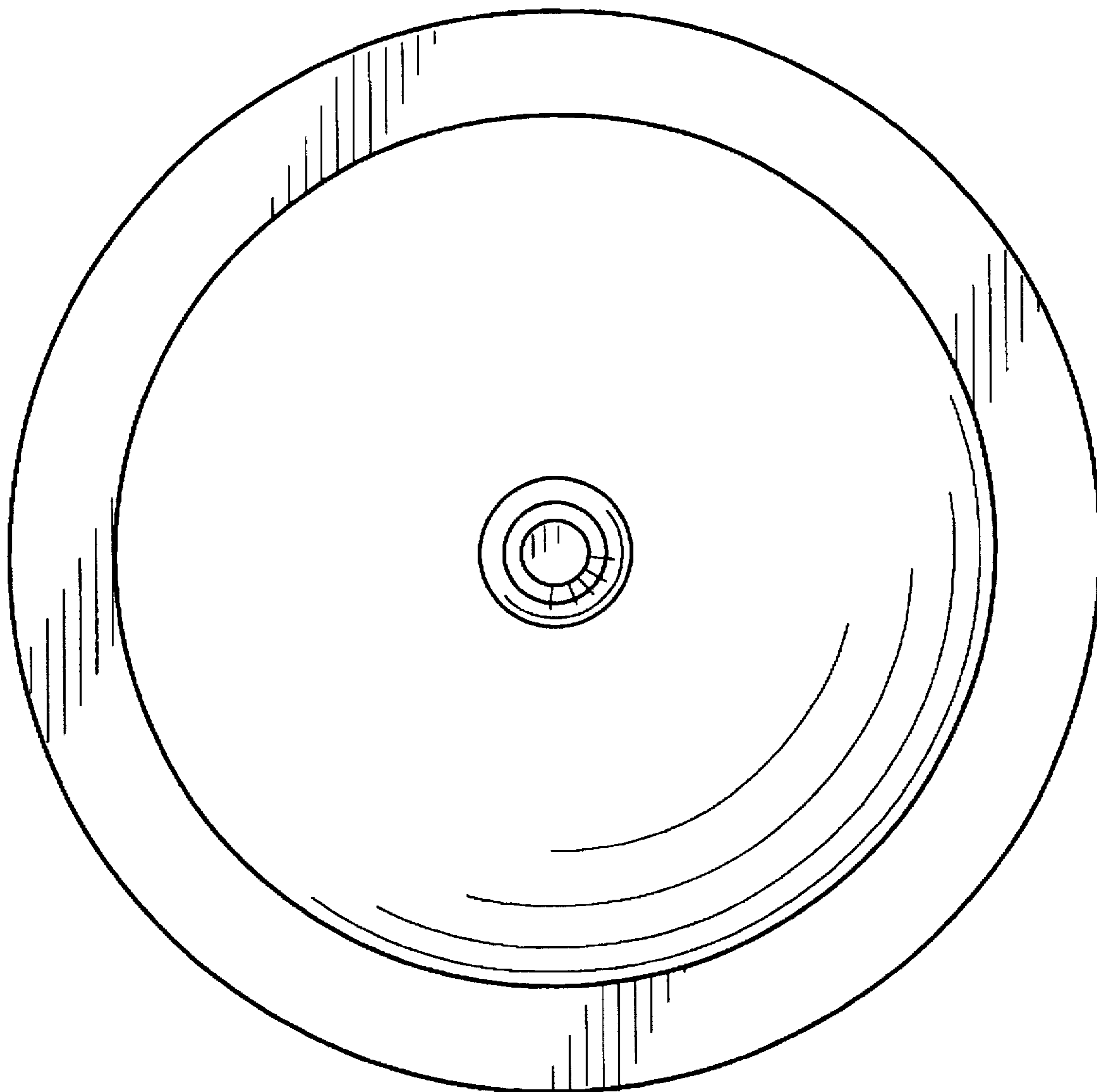




**FIG. 5**



**FIG. 6**



**FIG. 7**